



US00D931629S

(12) **United States Design Patent** (10) **Patent No.:** **US D931,629 S**
Xie et al. (45) **Date of Patent:** **** Sep. 28, 2021**

(54) **SWING CHAIR**

(56) **References Cited**

(71) Applicants: **Shenzhen Sunwell Industrial Co., Ltd.**, Shenzhen (CN); **Foshan Zhuanyi Metal Technology Co., Ltd.**, Foshan (CN)

U.S. PATENT DOCUMENTS

3,164,382	A *	1/1965	Johnson	A63B 19/04 472/17
3,186,711	A *	6/1965	Morrow	A63B 69/0091 472/118
3,213,868	A *	10/1965	Forbes	E04H 15/28 135/98
D230,109	S *	1/1974	Gass	D6/708.16
4,047,752	A *	9/1977	Rohr	A47C 4/286 297/19
D254,829	S *	4/1980	Gass	D6/347
D265,611	S *	8/1982	Knudson	D6/347
5,004,001	A *	4/1991	Bouchard	E04H 4/108 135/133
5,695,253	A *	12/1997	Jenkins	A47C 3/12 297/258.1
6,474,843	B2 *	11/2002	Shieh	B44C 5/00 362/227
D705,499	S *	5/2014	Zamarripa	D30/124

(72) Inventors: **Yefang Xie**, Foshan (CN); **Yong Li**, Shenzhen (CN)

(**) Term: **15 Years**

(21) Appl. No.: **29/698,314**

(22) Filed: **Jul. 16, 2019**

(51) **LOC (13) Cl.** **06-06**

(52) **U.S. Cl.**
USPC **D6/347**

(58) **Field of Classification Search**
USPC D6/334, 341, 342, 347, 360, 364, 365, D6/386, 387, 389, 643, 650, 677, 716, D6/718.1, 718.11, 344, 359, 368, 369, D6/708.16; D21/521, 797, 707, 713, 781; D23/292; D12/52, 322; D30/124, 128
CPC A47C 3/02; A47C 3/12; A47C 3/18; A47C 3/26; A47C 3/0255; A47C 4/24; A47C 5/02; A47C 7/443; A47C 15/008; A47C 17/84; A47C 4/02; A47C 4/18; A47C 4/30; A47C 4/42; A47C 4/286; A47C 5/04; A47D 9/00; A47D 13/02; A47D 13/10; A47D 13/105; A63G 9/00; A63G 9/02; A63G 1/20; A63G 9/04; A63G 9/14; A63G 9/12; A45F 3/22; A45F 3/24; A45F 3/26; F21S 4/15; F21S 4/20; F21S 4/28; F21S 6/00; F21S 8/063; F21V 17/007; F21V 17/02; F21V 3/02; F21V 21/14; F21V 21/08; E04H 4/108; E04H 15/38; E04H 15/28; E04B 1/3441; B44C 5/00; A63B 69/0091; A63B 19/04; A61G 15/005

(Continued)

Primary Examiner — Kevin K Rudzinski
Assistant Examiner — Paul D Bohannon

(57) **CLAIM**

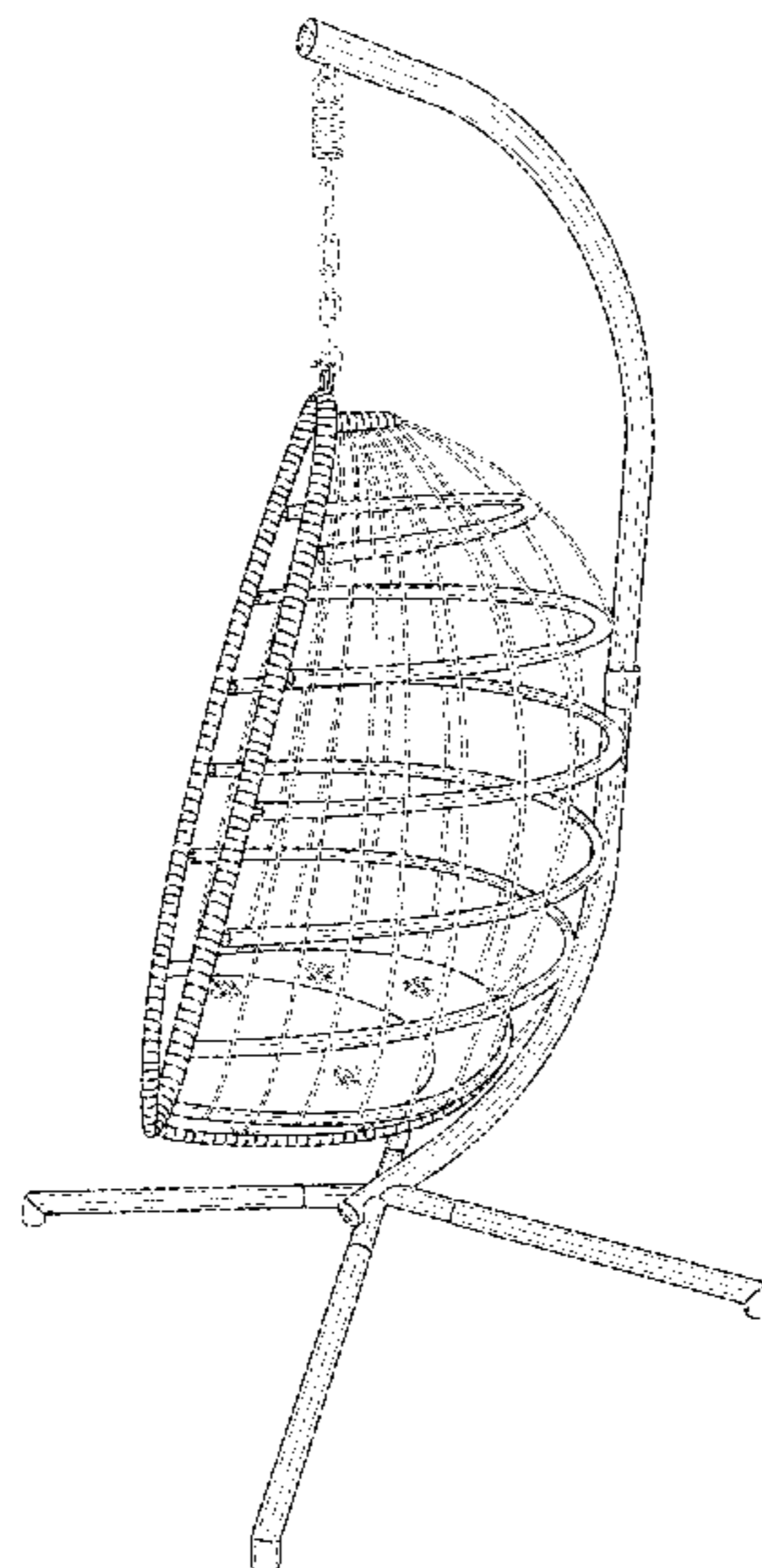
The ornamental design for a swing chair, as shown and described.

DESCRIPTION

FIG. 1 is a Perspective view of a swing chair showing my new design;
FIG. 2 is a Front elevational view thereof;
FIG. 3 is a Rear elevational view thereof;
FIG. 4 is a Right side view thereof;
FIG. 5 is a Left side view thereof;
FIG. 6 is a Top plan view thereof; and,
FIG. 7 is a Bottom plan view thereof.
The broken lines in the drawing depict portions of the swing chair that form no part of the claimed design.

See application file for complete search history.

1 Claim, 7 Drawing Sheets



(56)

References Cited

U.S. PATENT DOCUMENTS

8,764,234 B1 * 7/2014 Acree F21S 4/15
362/249.01
D720,148 S * 12/2014 Urquiola D6/369
D773,221 S * 12/2016 Lee D6/708.16
9,554,653 B2 * 1/2017 Lee A47C 4/42
D778,656 S * 2/2017 Lee D6/708.16
9,890,554 B2 * 2/2018 Duncan, III E04H 15/04
10,631,647 B1 * 4/2020 Wu A47C 3/0255
2012/0175928 A1 * 7/2012 Eber A47C 3/0255
297/311
2018/0310697 A1 * 11/2018 Wehner A45F 3/26
2020/0128963 A1 * 4/2020 Wu A47C 4/18

* cited by examiner

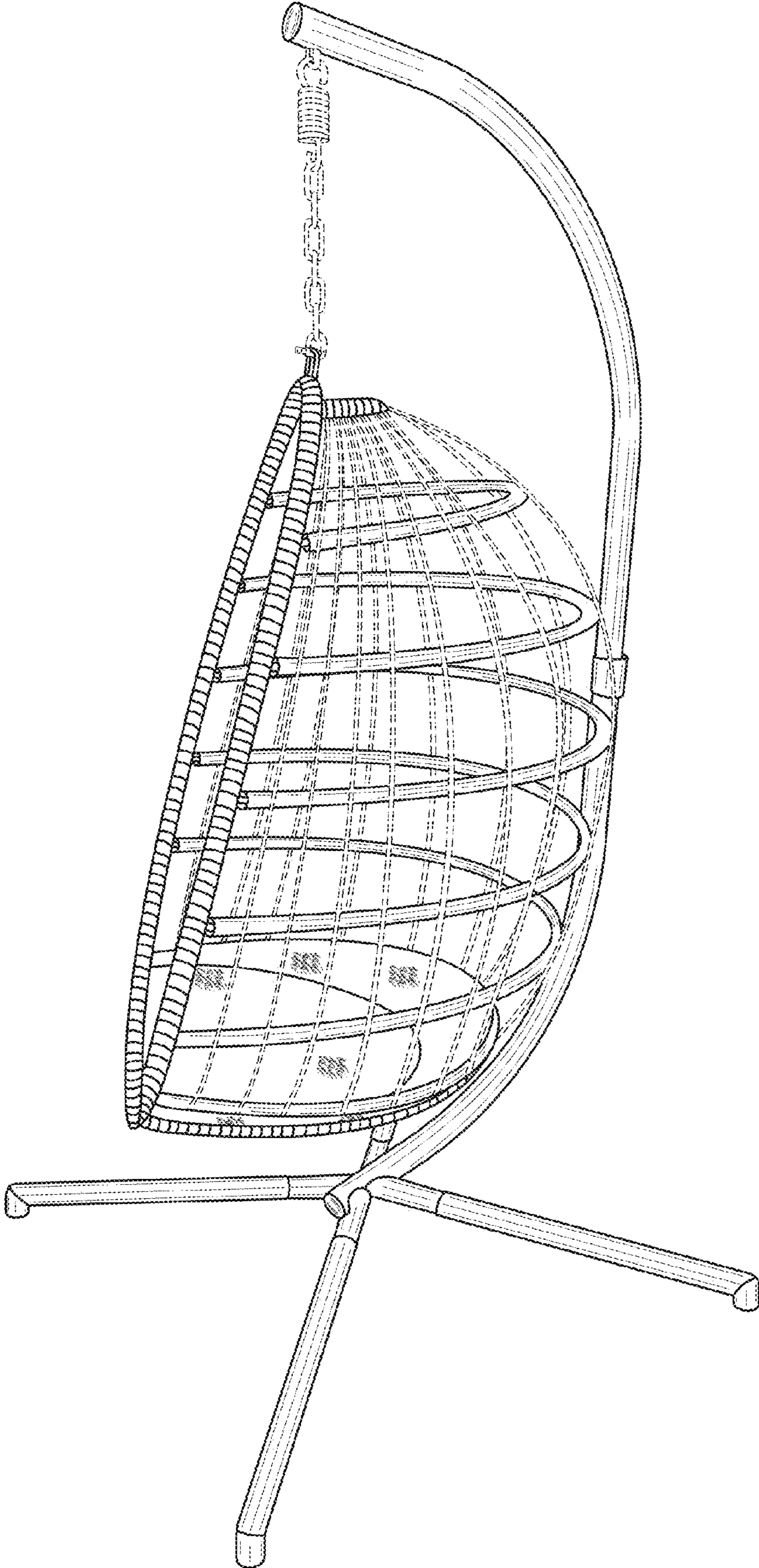


FIG. 1

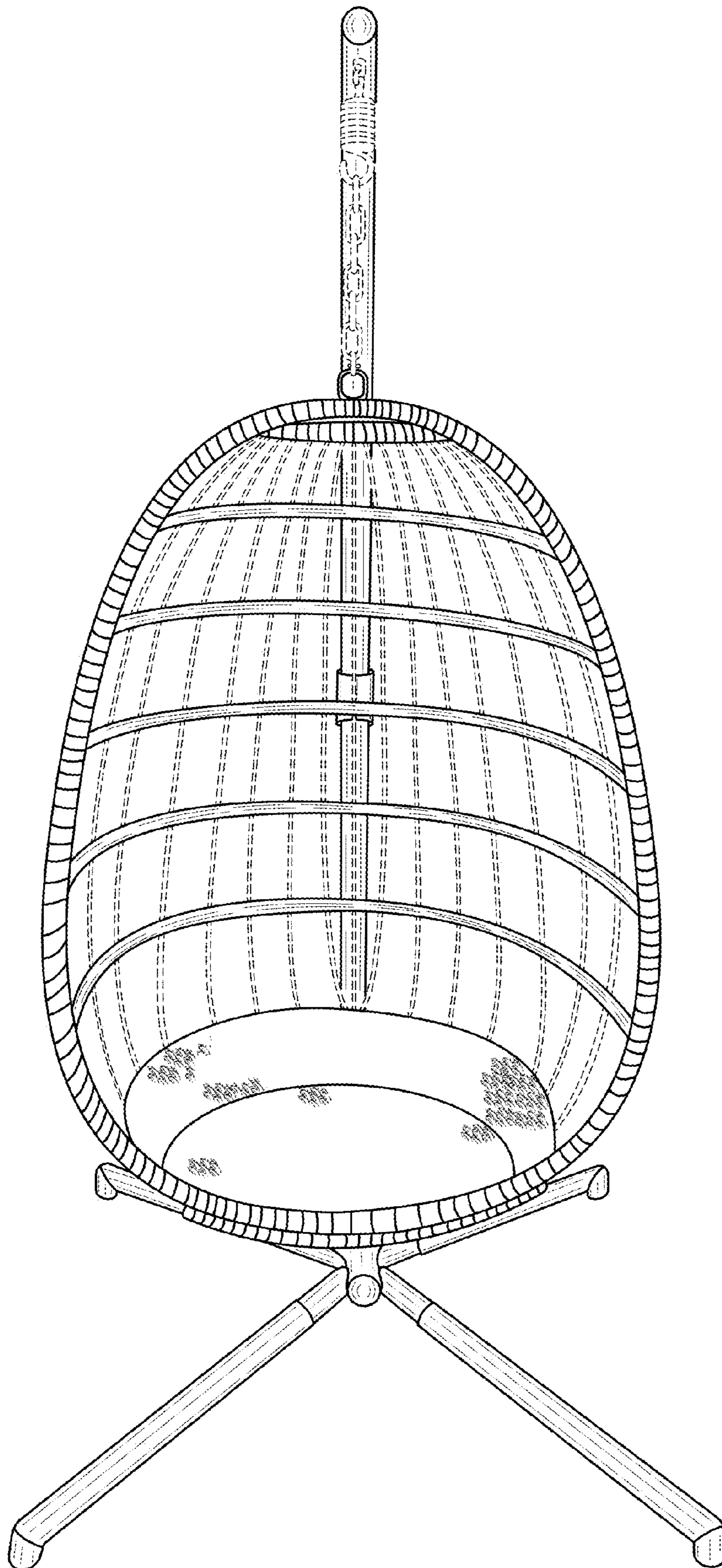


FIG. 2

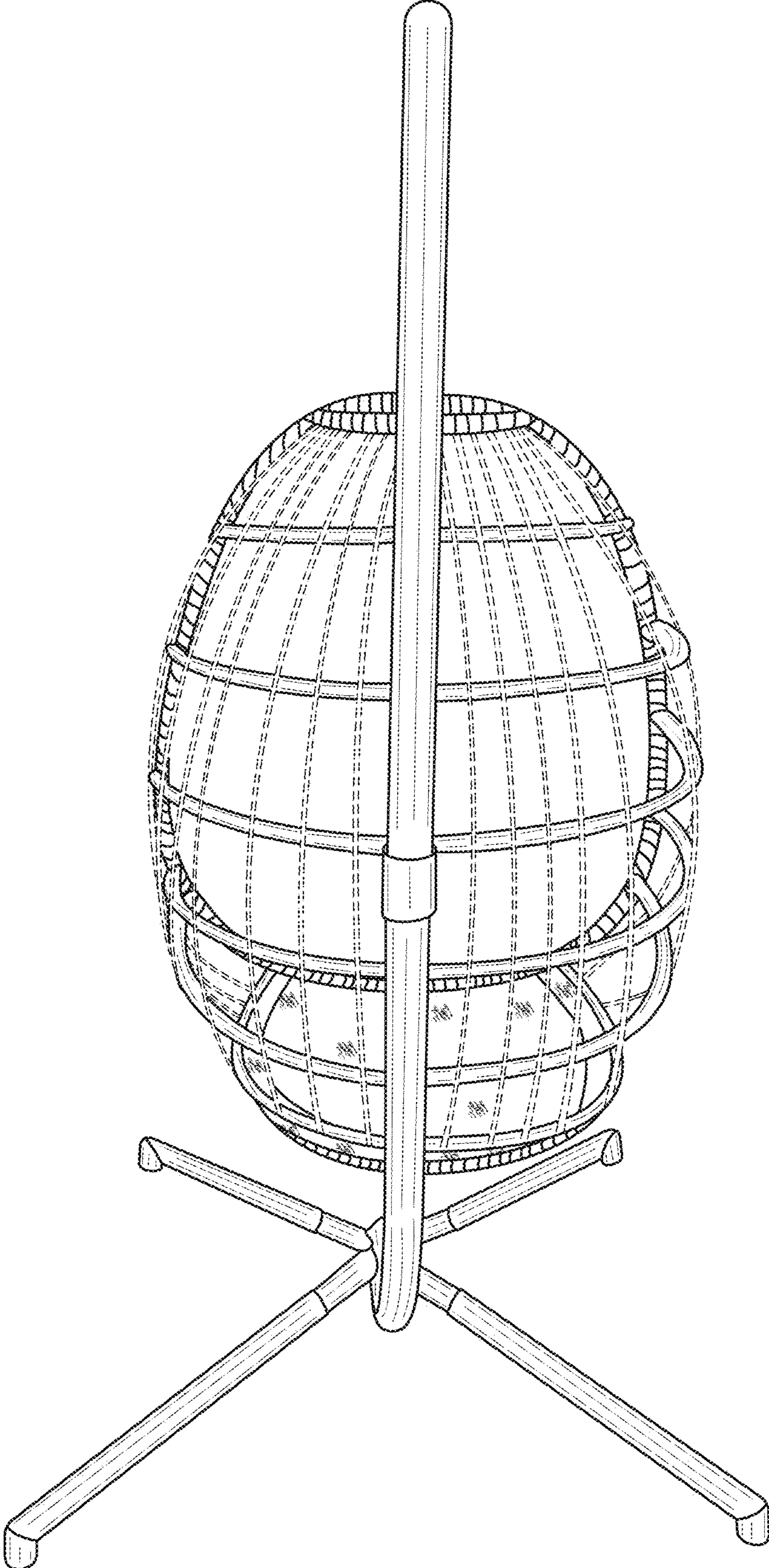


FIG. 3

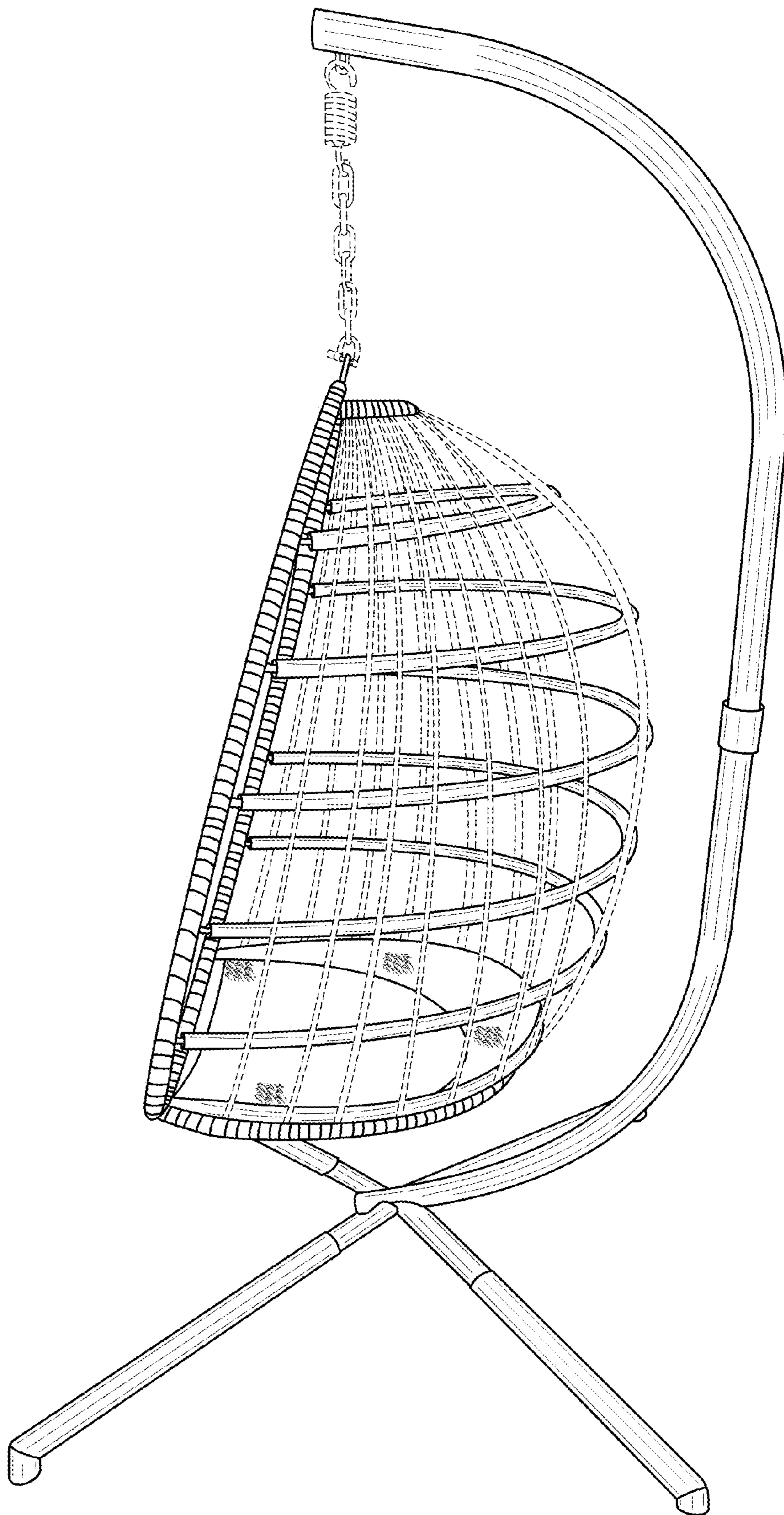


FIG. 4

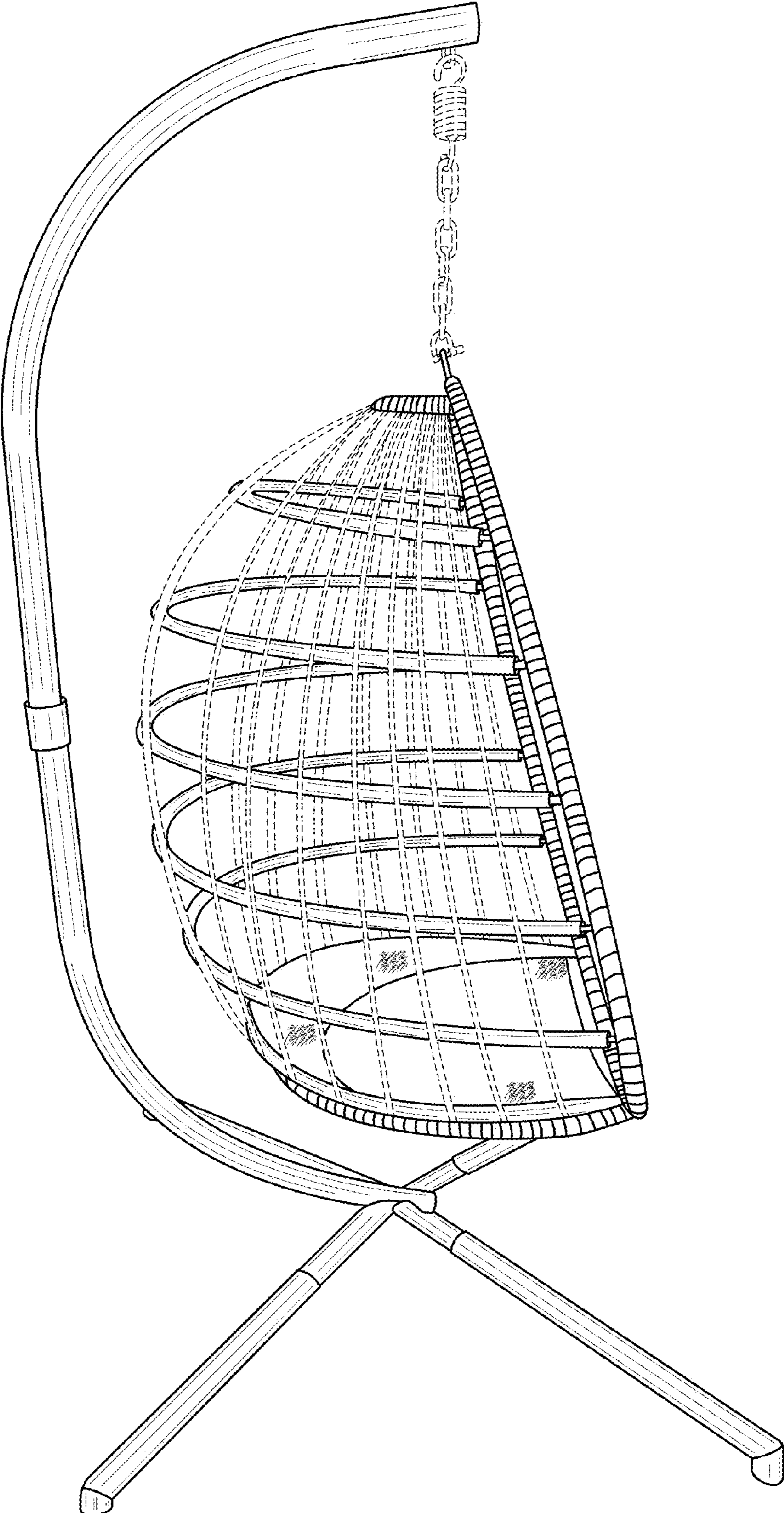


FIG. 5

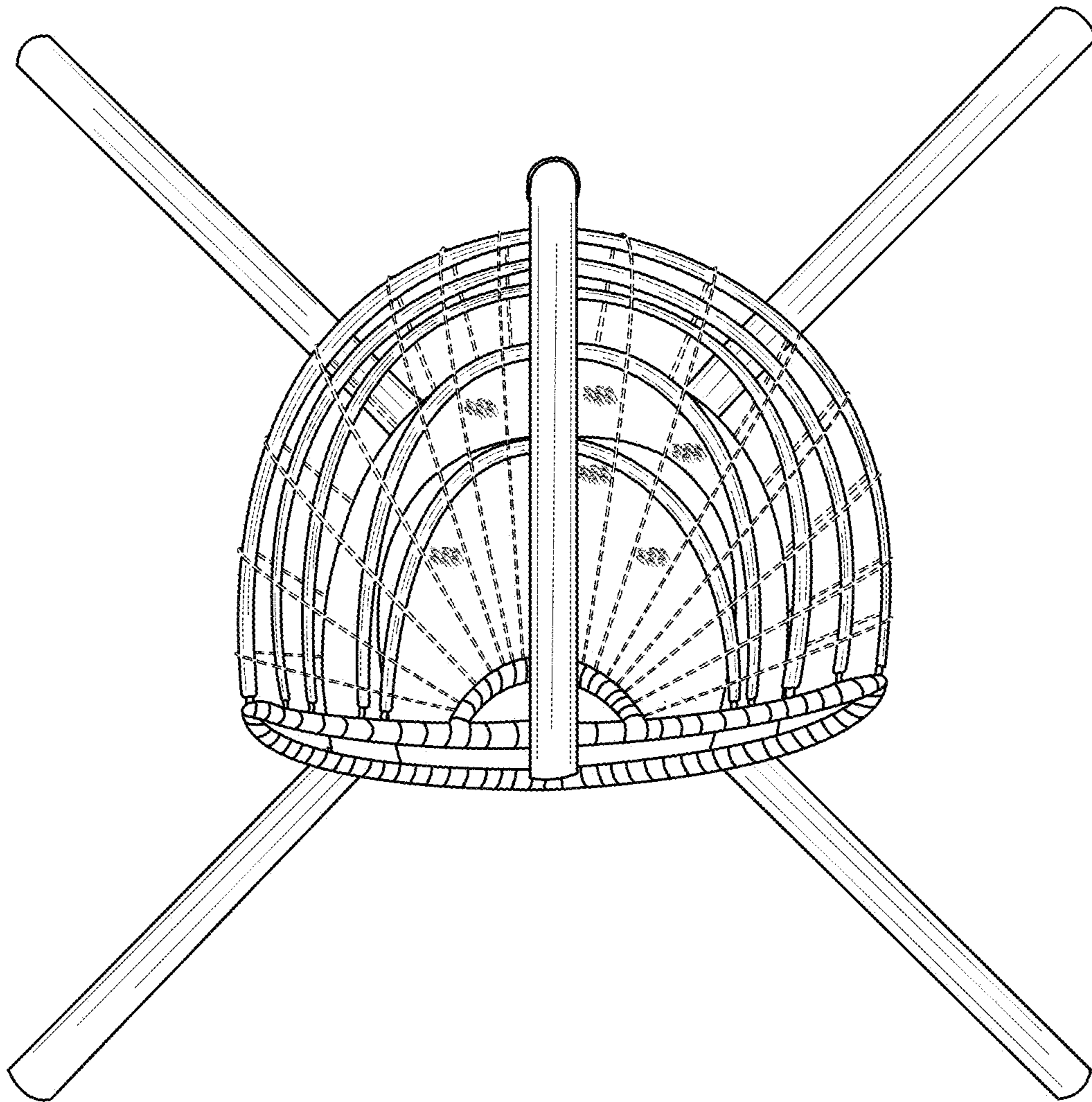


FIG. 6

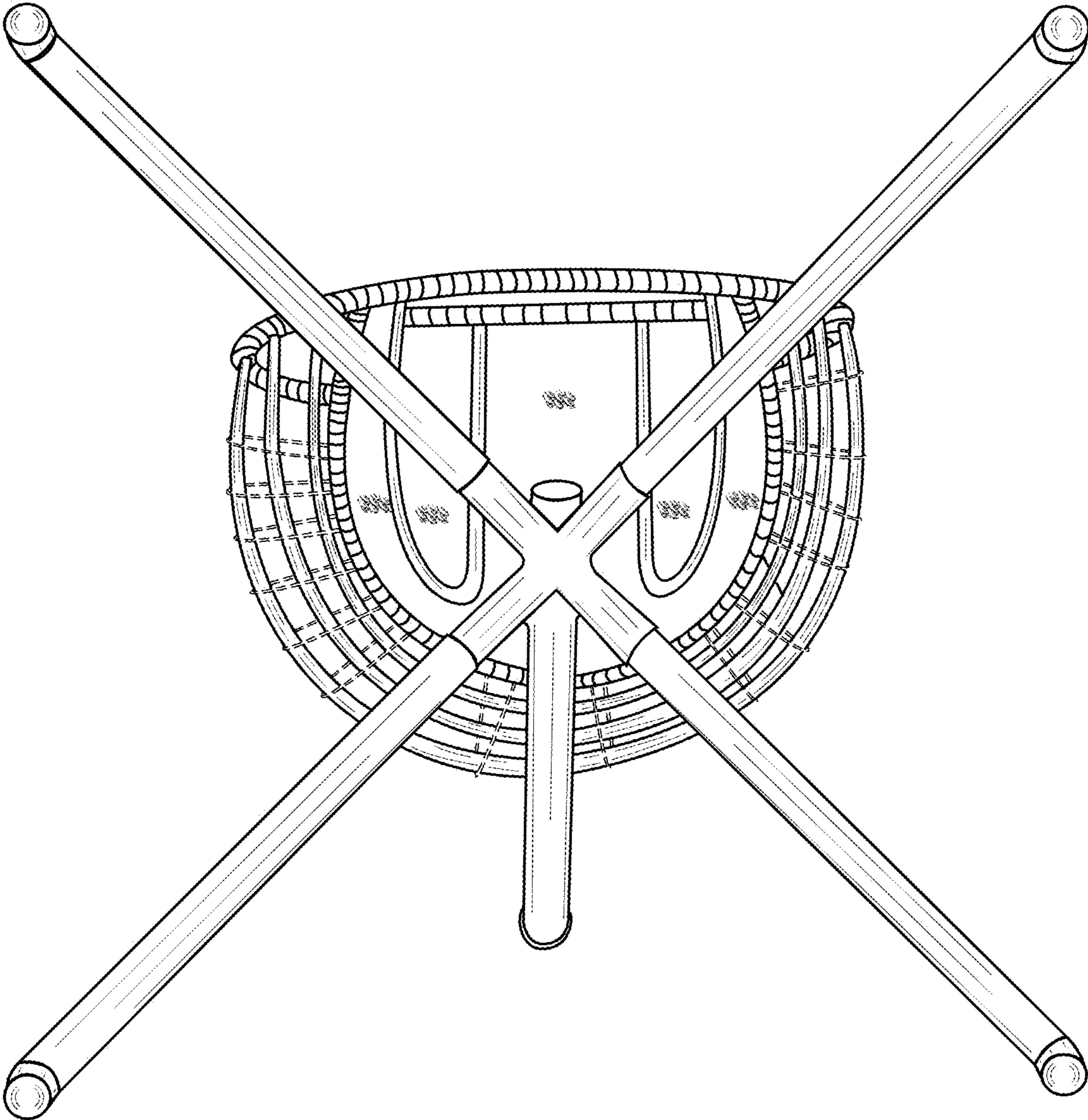


FIG. 7