



US00D931627S

(12) **United States Design Patent** (10) **Patent No.:** **US D931,627 S**
Yun (45) **Date of Patent:** **** Sep. 28, 2021**

(54) **KNEE SUPPORT DEVICE FOR ATTACHING TO A CHAIR**

(71) Applicant: **KwangSun Yun**, Seoul (KR)

(72) Inventor: **KwangSun Yun**, Seoul (KR)

(**) Term: **15 Years**

(21) Appl. No.: **29/688,978**

(22) Filed: **Apr. 25, 2019**

(51) **LOC (13) Cl.** **06-06**

(52) **U.S. Cl.**
USPC **D6/330**

(58) **Field of Classification Search**
 USPC D6/330, 334–335, 349–350, 364, 376,
 D6/685, 691, 707.19, 709, 718.11, 716,
 D6/365, 367–370, 696.1; 297/16.1, 135,
 297/158.3, 175, 187, 423.16, 461, 462,
 297/76, 423.25, 423.34, 423.36, 451.5,
 297/423.42, 440.16; 248/188, 188.1;
 108/150, 161, 157.17, 144.11
 CPC A47C 9/00; A47C 9/08; A47C 9/10; A47C
 1/00; A47C 1/02; A47C 1/04; A47C 1/14;
 A47C 1/022; A47C 1/031; A47C 11/00;
 A47C 4/00; A47C 4/22; A47B 3/10;
 A47B 3/14; A47B 3/087

See application file for complete search history.

(56) **References Cited**

U.S. PATENT DOCUMENTS

| | | | | | |
|------------|---|---------|-----------|-------|----------------------|
| D271,727 S | * | 12/1983 | Opsvik | | D6/330 |
| D348,568 S | * | 7/1994 | Landry | | D6/330 |
| D803,589 S | * | 11/2017 | Rehkemper | | A47B 13/02 D6/338 |
| D904,040 S | * | 12/2020 | Kahl | | D6/330 |

* cited by examiner

Primary Examiner — Abraham Bahta

(74) *Attorney, Agent, or Firm* — Thorpe North & Western, LLP; David W. Osborne

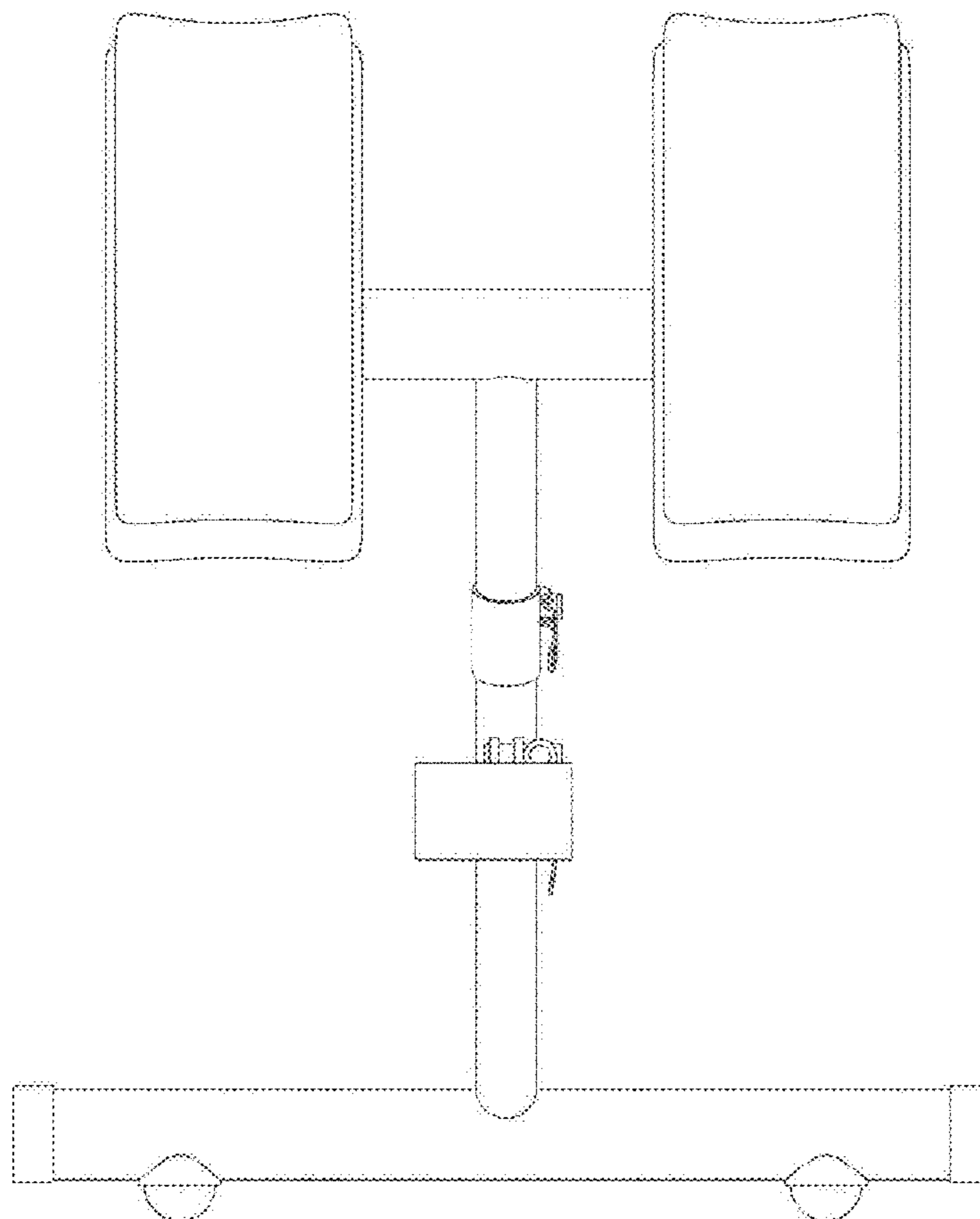
(57) **CLAIM**

The ornamental design for a knee support device for attaching to a chair, as shown and described.

DESCRIPTION

FIG. 1 is a front view of the knee support device for attaching to a chair showing my new design;
 FIG. 2 is a back view thereof;
 FIG. 3 is a top view thereof;
 FIG. 4 is a bottom view thereof;
 FIG. 5 is a left side view thereof; and,
 FIG. 6 is a right side view thereof.

1 Claim, 6 Drawing Sheets



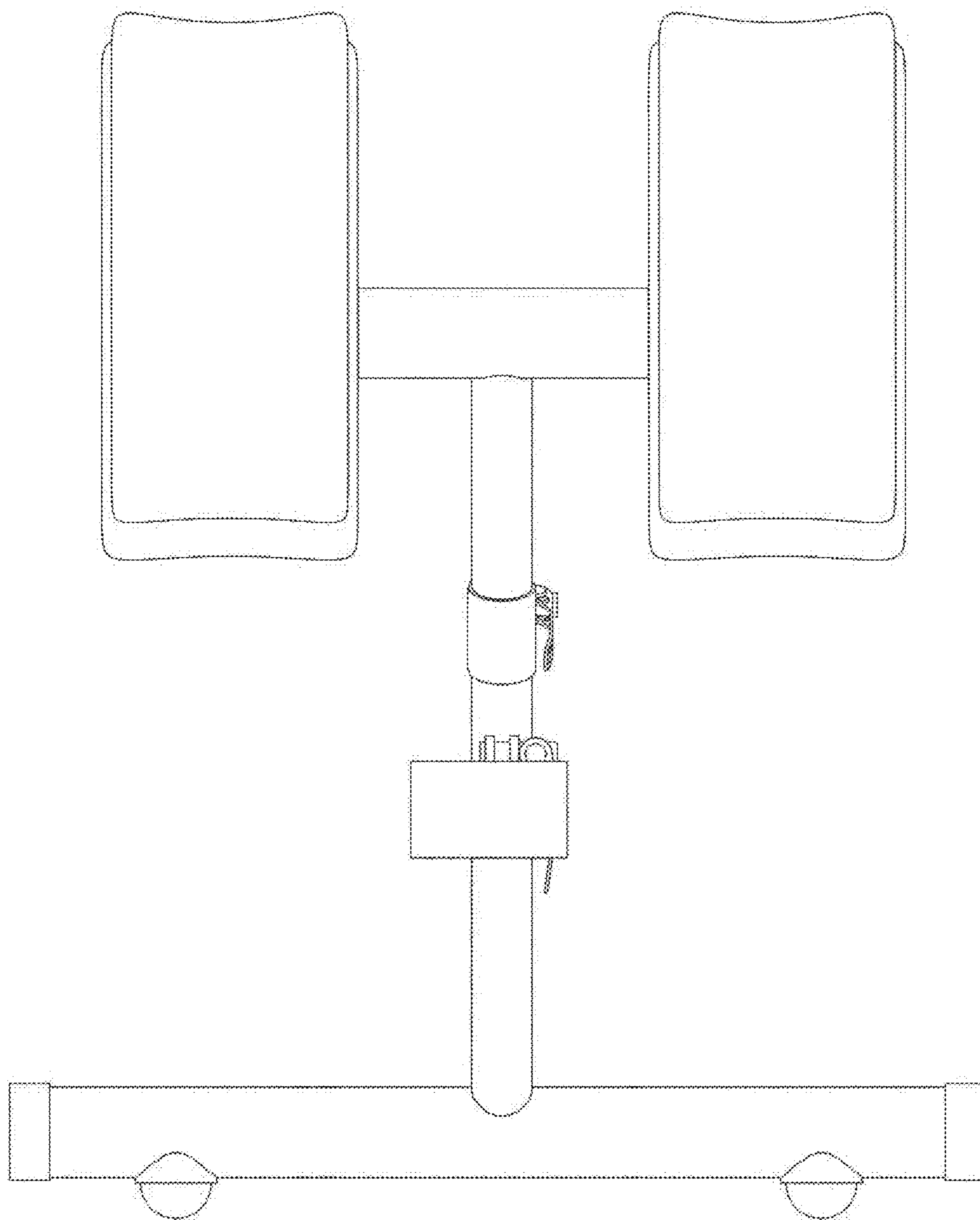


FIG. 1

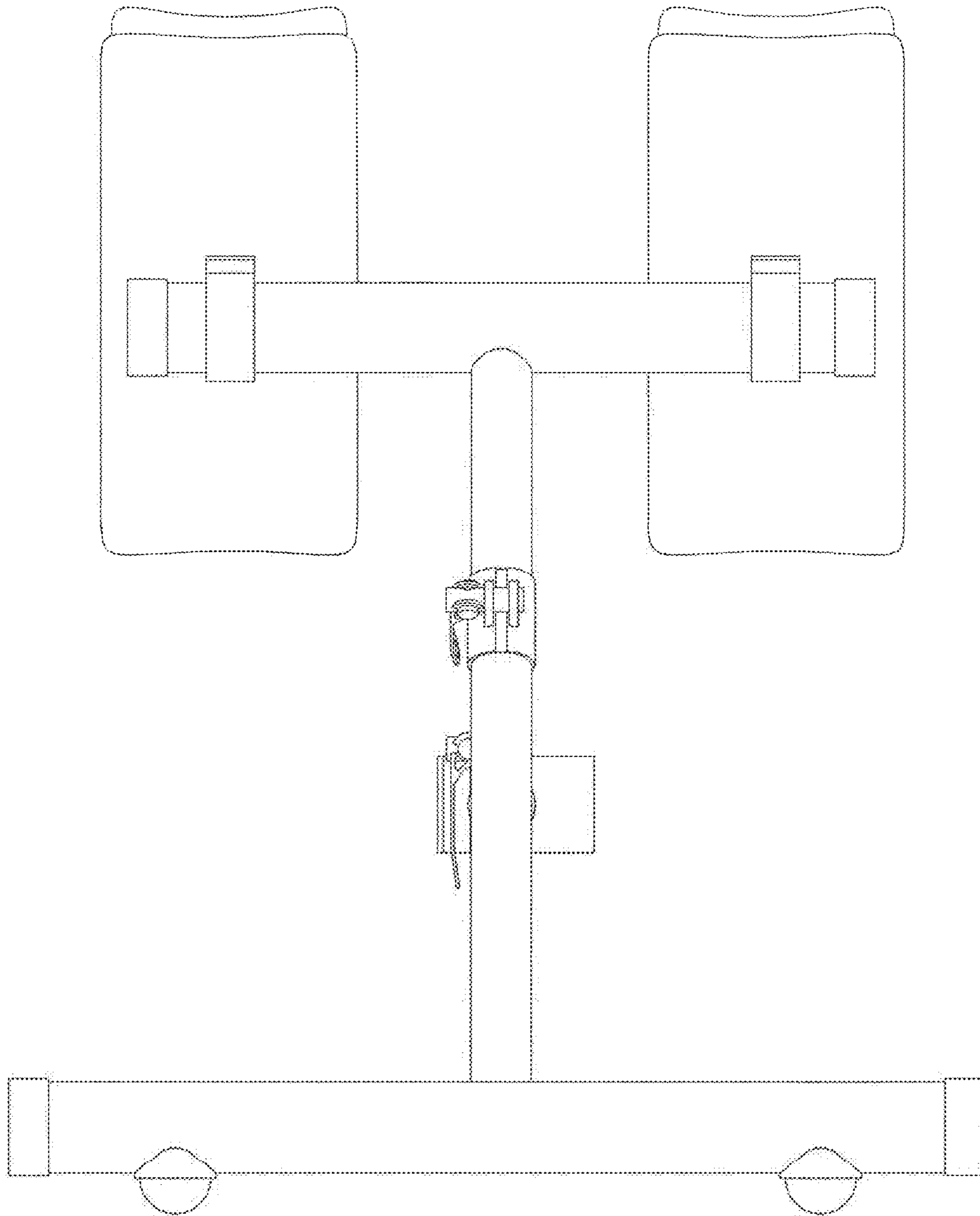


FIG. 2

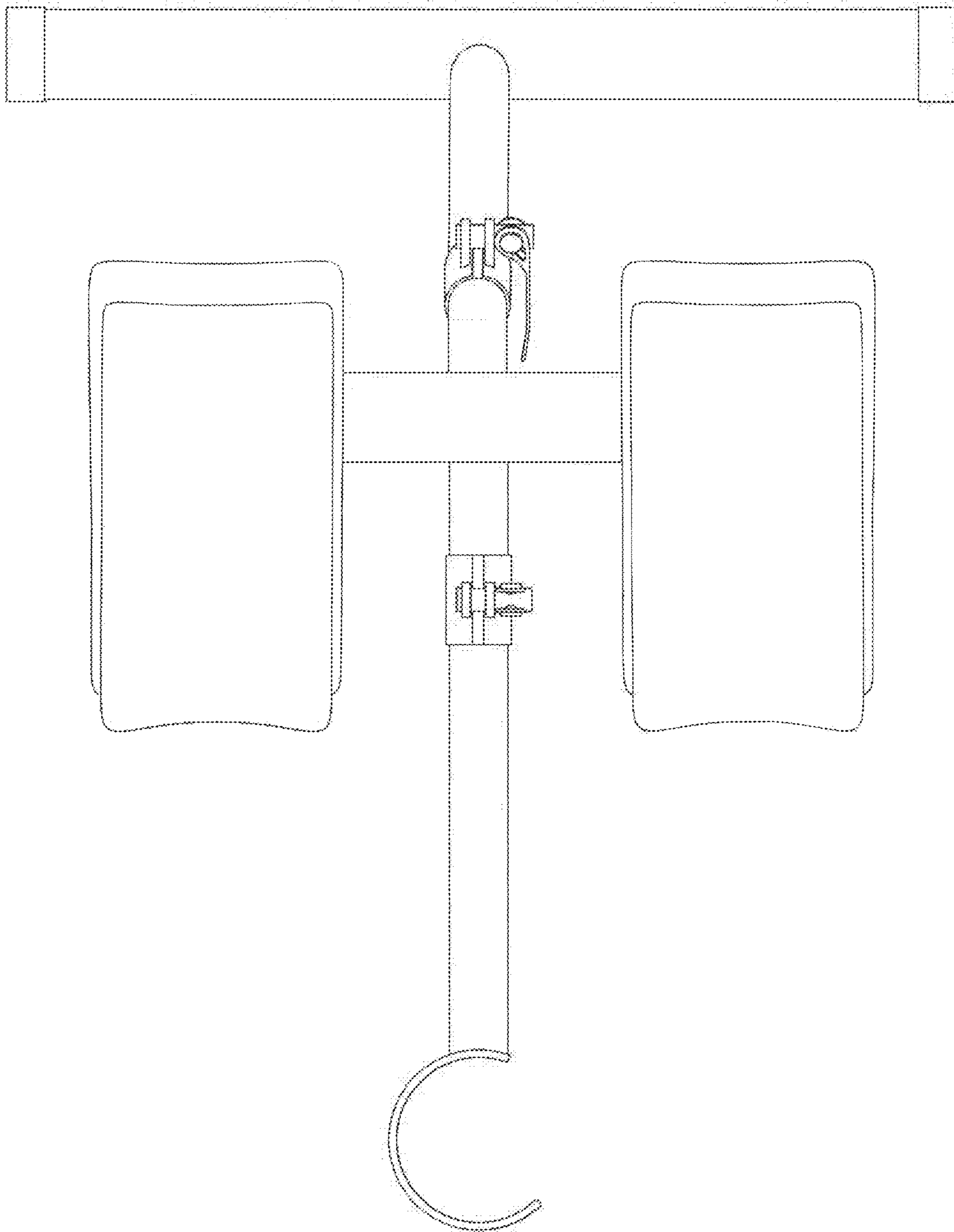


FIG. 3

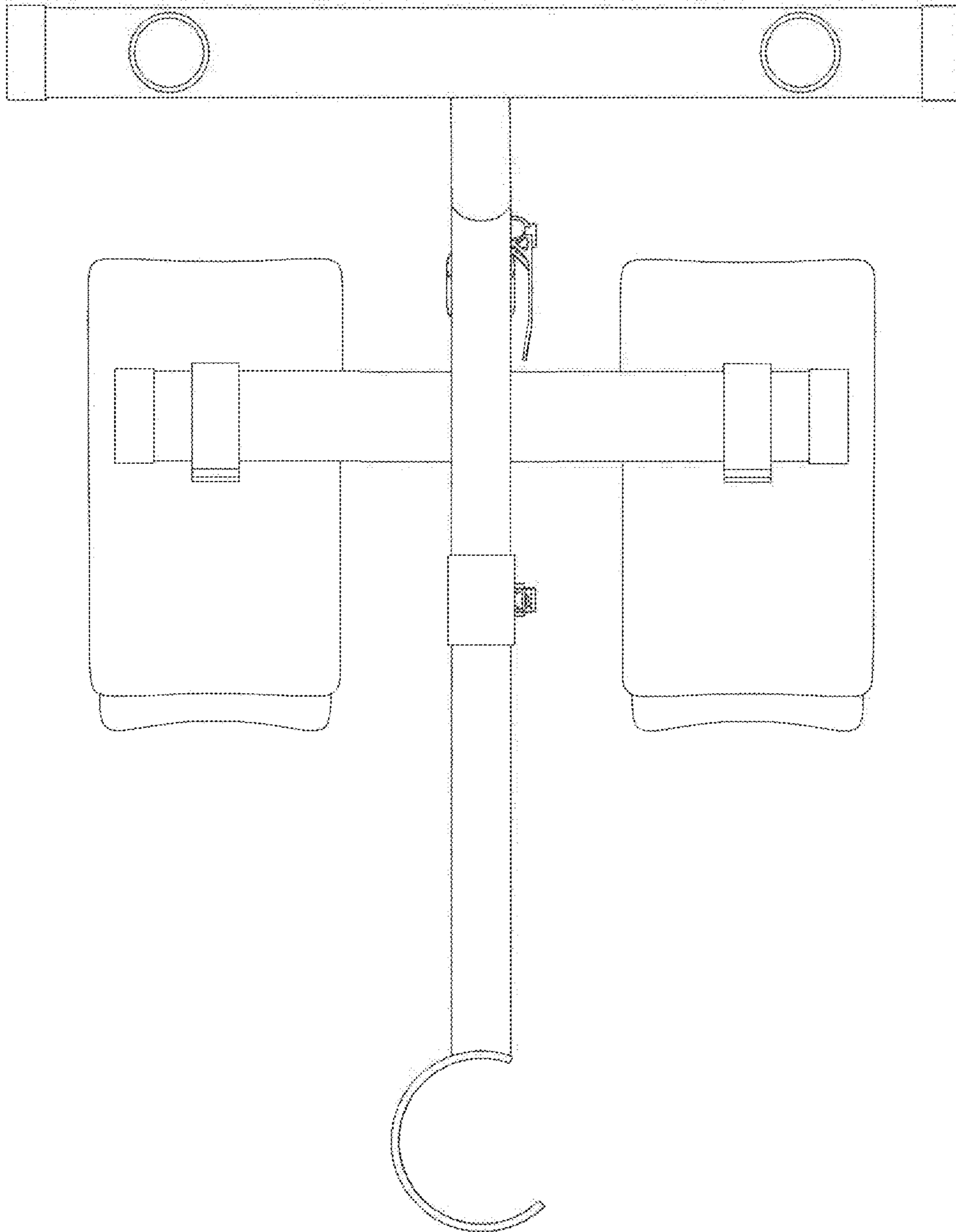


FIG. 4

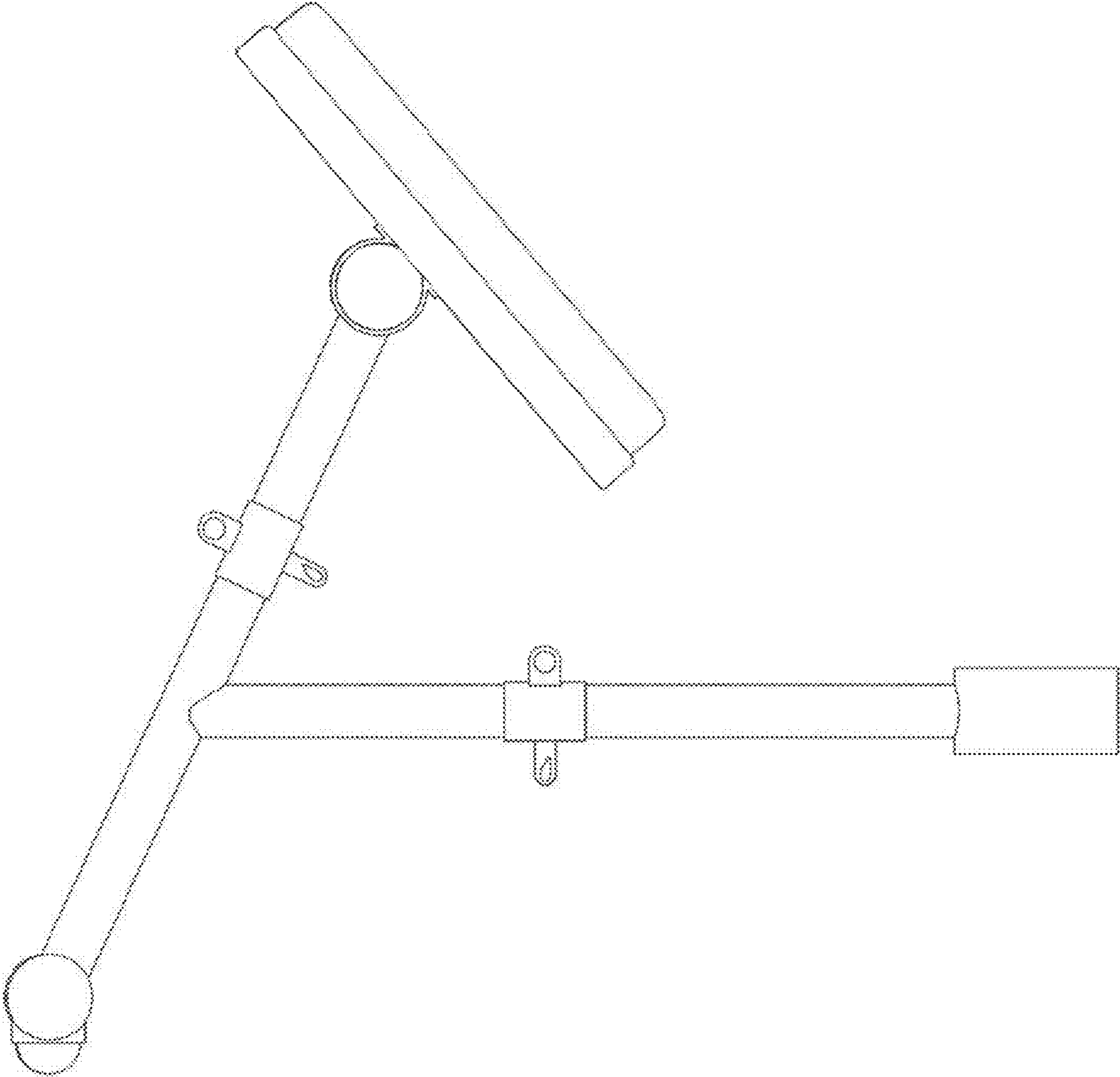


FIG. 5

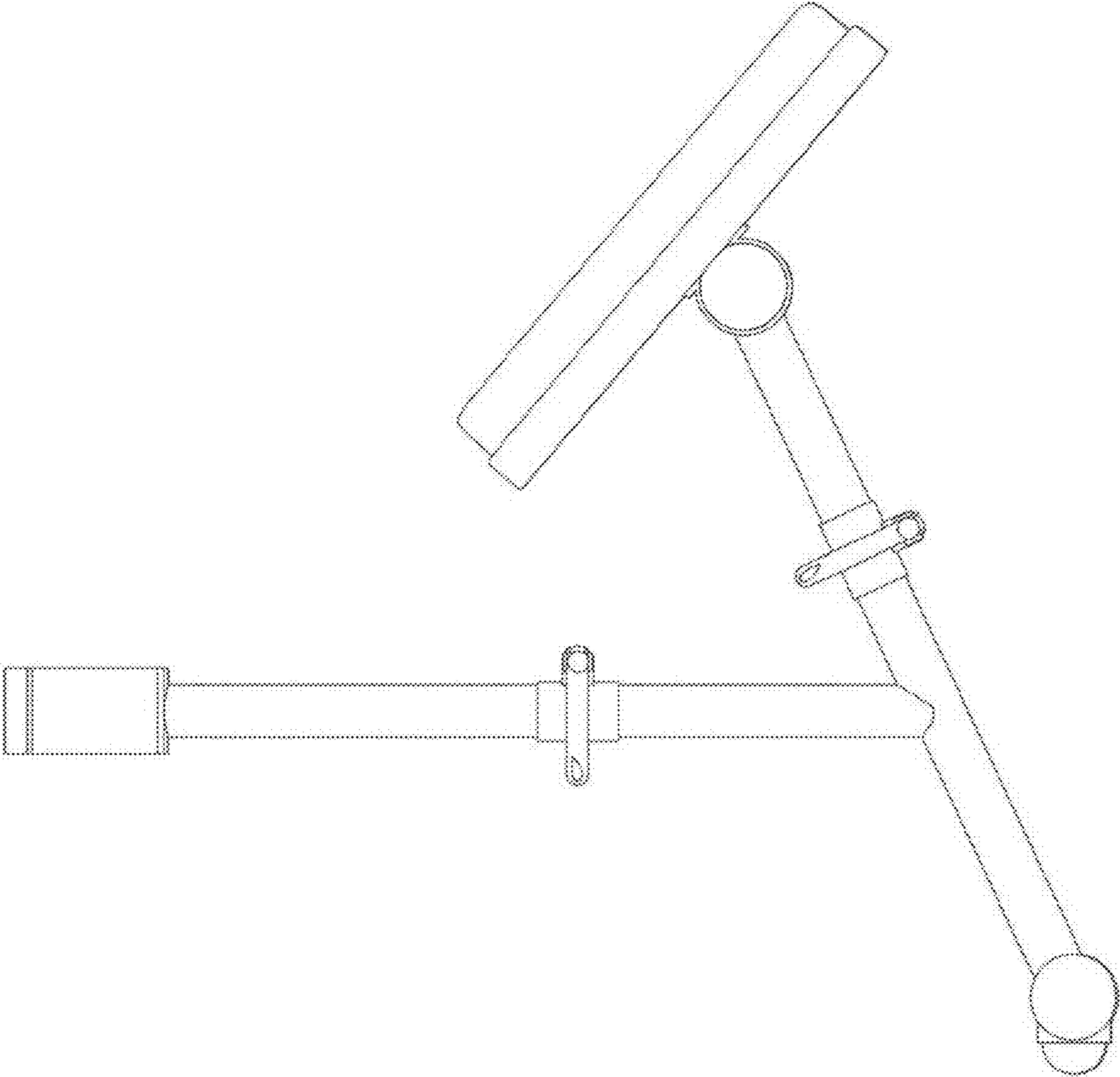


FIG. 6