



US00D931625S

(12) **United States Design Patent** (10) **Patent No.:** **US D931,625 S**  
**Losness et al.** (45) **Date of Patent:** **\*\* Sep. 28, 2021**

(54) **HANGER**

(71) Applicant: **TARGET BRANDS, INC.**,  
Minneapolis, MN (US)

(72) Inventors: **Laurie Losness**, Coon Rapids, MN  
(US); **Terrence J. Hornsby, Jr.**,  
Minneapolis, MN (US); **Jeremy A.  
Clark**, Minneapolis, MN (US)

(73) Assignee: **TARGET BRANDS, INC.**,  
Minneapolis, MN (US)

(\*\*) Term: **15 Years**

(21) Appl. No.: **29/733,563**

(22) Filed: **May 4, 2020**

(51) **LOC (13) Cl.** ..... **06-08**

(52) **U.S. Cl.**  
USPC ..... **D6/319; D6/328**

(58) **Field of Classification Search**  
USPC ..... D6/315-328  
CPC ..... A47G 25/32; A47G 25/26; A47G 25/28;  
A47G 25/485; A47G 25/487; A47G  
25/20; A47G 25/481; A47G 25/442;  
A47G 25/24; A47G 25/48; A47G 25/486;  
A47G 25/36; A47G 25/1407; A47G  
25/30; A47G 25/14; A47G 25/743; A47G  
25/1457

See application file for complete search history.

(56) **References Cited**

**U.S. PATENT DOCUMENTS**

890,023 A	6/1908	Cazier et al.
2,171,680 A	9/1939	Baugh
2,419,723 A	4/1947	Mack, Sr.
2,723,787 A	11/1955	Bransdorf
2,835,422 A	5/1958	Stuard
3,085,724 A	4/1963	Wilde
3,209,966 A	10/1965	Wach
D206,199 S	11/1966	Zuckerman

3,559,852 A	2/1971	Green
3,731,857 A	5/1973	Haggar
D264,912 S	6/1982	Bliss et al.
D265,156 S	6/1982	Bisk et al.
4,438,874 A	3/1984	Zuckerman et al.
4,623,079 A	11/1986	Tendrup et al.

(Continued)

**FOREIGN PATENT DOCUMENTS**

EP 1512352 B1 8/2013

**OTHER PUBLICATIONS**

“Velvet Flocked Hanger”, printed from [www.dhgate.com/product/flocked-hanger-with-good-quality-druable/138480211.html](http://www.dhgate.com/product/flocked-hanger-with-good-quality-druable/138480211.html), publicly available at least as early as Jan. 18, 2017 (3 pages).

(Continued)

*Primary Examiner* — Lauren R Calve

(74) *Attorney, Agent, or Firm* — JoAnn M. Seaton;  
Griffiths & Seaton PLLC

(57) **CLAIM**

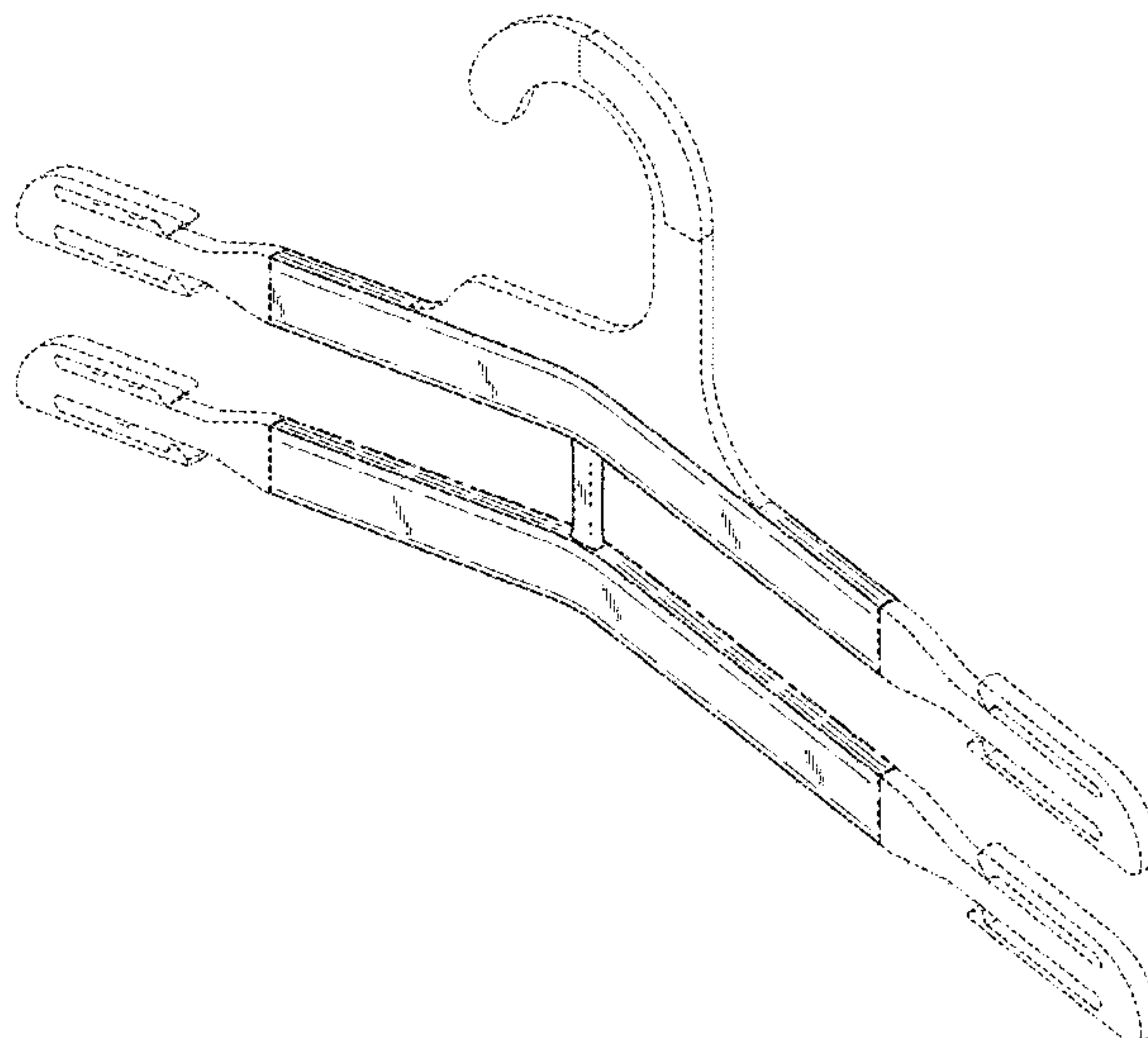
The ornamental design for a hanger, as shown and described.

**DESCRIPTION**

FIG. 1 is a front, top perspective view of a hanger showing our new design;  
FIG. 2 is a rear, top perspective view thereof;  
FIG. 3 is a front view thereof;  
FIG. 4 is a rear view thereof;  
FIG. 5 is a left side view thereof;  
FIG. 6 is a right side view thereof;  
FIG. 7 is a top view thereof; and,  
FIG. 8 is a bottom view thereof.

The features shown in broken lines are portions of the hanger forming no part of the claimed design. The features shown in long dash-short dash bolded broken lines indicate the bounds of the claimed design and otherwise form no part of the claimed design.

**1 Claim, 5 Drawing Sheets**



(56)

References Cited

U.S. PATENT DOCUMENTS

4,828,155 A	5/1989	Louw	7,156,271 B2	1/2007	Louw
D302,214 S	7/1989	Wilson	D559,562 S	1/2008	Jones
D302,359 S *	7/1989	Blom ..... D6/324	D560,373 S	1/2008	Gouldson
D303,325 S	9/1989	Marshall	7,398,902 B1	7/2008	Sutton
D305,484 S	1/1990	Fildan	7,464,841 B1	12/2008	Hansen et al.
4,895,283 A	1/1990	Evangelist et al.	D598,206 S	8/2009	Gouldson
D309,221 S	7/1990	Blom et al.	D606,764 S	12/2009	Warren
5,029,739 A	7/1991	Blanchard et al.	D606,765 S	12/2009	Warren
5,065,916 A	11/1991	Fildan	D606,766 S	12/2009	Warren
5,069,373 A	12/1991	Kolton et al.	D606,767 S	12/2009	Warren
5,071,045 A	12/1991	Hollis	D607,216 S	1/2010	Niccol
5,074,445 A	12/1991	Chen	D607,217 S	1/2010	Warren
5,083,691 A	1/1992	Handrick	D607,218 S	1/2010	Warren
D324,313 S	3/1992	Kolton et al.	D628,818 S	12/2010	Warren
D327,579 S	7/1992	Fildan	D628,820 S	12/2010	Warren
D327,580 S	7/1992	Fildan	D628,821 S	12/2010	Warren
D327,581 S	7/1992	Fildan	D628,822 S	12/2010	Warren
5,127,559 A	7/1992	Freer et al.	7,896,204 B2	3/2011	Gouldson
5,129,557 A	7/1992	Kolton et al.	7,938,300 B2	5/2011	Diamond et al.
D329,754 S	9/1992	Gouldson et al.	7,980,434 B2	7/2011	Gouldson
D329,755 S	9/1992	Gouldson	D646,064 S	10/2011	Jones
D335,581 S	5/1993	Gouldson	D653,042 S	1/2012	Gouldson
5,236,109 A	8/1993	Zuckerman	8,267,287 B2	9/2012	Gouldson
D340,138 S	10/1993	Gouldson	8,302,826 B2	11/2012	Gouldson
D348,987 S	7/1994	Gouldson et al.	D688,471 S	8/2013	Cohen
D350,236 S	9/1994	Gouldson et al.	D711,659 S	8/2014	Gouldson
5,361,949 A	11/1994	Petrou	D712,166 S	9/2014	Gouldson
D353,945 S	1/1995	Louw	D716,062 S	10/2014	Gouldson
D368,376 S	4/1996	Gouldson et al.	8,991,666 B2	3/2015	Mazyck
D371,246 S	7/1996	Gouldson et al.	9,027,804 B2	5/2015	Barre et al.
5,573,151 A	11/1996	Fildan	9,282,839 B2	3/2016	Rakhamimov et al.
5,632,423 A	5/1997	Louw	D759,392 S	6/2016	Yau
D381,814 S	8/1997	Louw	D761,028 S	7/2016	Choy
D387,912 S	12/1997	Fildan	9,386,873 B2	7/2016	Gouldson
D388,620 S	1/1998	Gouldson et al.	9,510,702 B2	12/2016	Yau
D388,964 S	1/1998	Gouldson	D815,845 S	4/2018	Clark et al.
D390,015 S	2/1998	Gouldson	D816,351 S	5/2018	Clark et al.
D392,113 S	3/1998	Gouldson	D826,582 S	8/2018	Clark et al.
5,806,728 A	9/1998	Forsstrom et al.	D831,987 S	10/2018	Clark et al.
D413,446 S	9/1999	Gouldson	D832,600 S	11/2018	Clark et al.
D414,044 S	9/1999	Choi et al.	D843,740 S	3/2019	Peterson et al.
D414,946 S	10/1999	Gouldson	D843,741 S	3/2019	Clark et al.
6,065,652 A	5/2000	Dooling-Sherman	D850,126 S	6/2019	Peterson et al.
6,070,772 A	6/2000	Bond	D852,521 S	7/2019	Clark et al.
6,079,598 A	6/2000	Tsai	D861,360 S	10/2019	Clark et al.
6,105,835 A	8/2000	Hatakeyama	D868,486 S *	12/2019	Kariker ..... D6/326
6,142,347 A	11/2000	Kolton et al.	D873,035 S *	1/2020	Hong ..... D6/319
6,158,635 A	12/2000	Batts	10,631,677 B2 *	4/2020	Clark ..... A47G 25/1421
D435,973 S	1/2001	Gouldson	2001/0015361 A1	8/2001	Gouldson
6,170,679 B1	1/2001	Frye et al.	2001/0016994 A1	8/2001	Gouldson et al.
6,173,872 B1	1/2001	Cohen	2002/0108975 A1	8/2002	Hunt et al.
6,196,430 B1	3/2001	Gouldson	2002/0113100 A1	8/2002	Gouldson
D440,777 S	4/2001	Giustini	2003/0015558 A1	1/2003	Gouldson et al.
6,250,523 B1	6/2001	Louw	2003/0141374 A1	7/2003	Matkovich
6,286,735 B1	9/2001	Zuckerman	2003/0183665 A1	10/2003	Olk et al.
6,338,426 B1	1/2002	Okiyama	2004/0173646 A1	9/2004	Louw
D453,423 S	2/2002	Goldman et al.	2004/0188475 A1 *	9/2004	Gouldson ..... A47G 25/18 223/85
6,357,638 B2	3/2002	Gouldson	2004/0222254 A1	11/2004	Olk et al.
6,435,387 B1	8/2002	Gouldson et al.	2004/0256425 A1	12/2004	Barre et al.
6,457,615 B1	10/2002	Lam	2005/0067447 A1	3/2005	Louw
6,467,658 B1	10/2002	Olk et al.	2005/0269377 A1	12/2005	Ali et al.
6,467,659 B2	10/2002	Gouldson	2007/0246490 A1	10/2007	Gouldson
6,499,634 B2	12/2002	Olk et al.	2008/0296324 A1	12/2008	Zhao et al.
6,516,980 B1	2/2003	Goldman	2009/0045232 A1	2/2009	Gray
6,588,634 B2	7/2003	Gouldson et al.	2009/0078726 A1	3/2009	Boulet et al.
6,688,503 B2	2/2004	Viazanko et al.	2010/0019005 A1	1/2010	Gouldson
6,715,650 B2	4/2004	Gouldson	2010/0025440 A1	2/2010	Gouldson
D498,936 S	11/2004	Gouldson	2010/0193553 A1	8/2010	Gouldson
D499,257 S	12/2004	Schultz et al.	2010/0252588 A1	10/2010	Gouldson et al.
D500,412 S	1/2005	Gouldson	2011/0057001 A1	3/2011	Louw
D502,606 S	3/2005	Gouldson	2011/0284597 A1	11/2011	Kaleta et al.
6,892,910 B2	5/2005	Capuano et al.	2015/0060500 A1	3/2015	Yau
D507,419 S	7/2005	Gouldson	2016/0051072 A1	2/2016	Gouldson
D519,287 S	4/2006	Gouldson	2017/0208979 A1	7/2017	Zuckerman et al.
7,118,014 B2	10/2006	Ali et al.			



(56)

**References Cited**

OTHER PUBLICATIONS

“Lingerie, Bra & Panty, Swimwear 10" Flexible Plastic Retail Hangers”, printed from [www.alibaba.com/product-detail/Lingerie-Bra-Panty-Swimwear-10-Flexible\\_520783895.html](http://www.alibaba.com/product-detail/Lingerie-Bra-Panty-Swimwear-10-Flexible_520783895.html), publicly available at least as early as Dec. 20, 2017 (4 pages).

“Black Plastic Bra & Swimwear Hangers 27 cm”, printed from [www.hangerworld.com/sale/winterplastic/black-plastic-bra-swimwear-hanger-27cm.html](http://www.hangerworld.com/sale/winterplastic/black-plastic-bra-swimwear-hanger-27cm.html), publicly available at least as early as Dec. 20, 2017 (4 pages).

“Retail Plastic Bra Hangers Wholesale Underwear Hangers For Intimates”, printed from [www.alibaba.com/product-detail/Retail-Plastic-Bra-Hangers-Wholesale-Underwear\\_60554522311.html](http://www.alibaba.com/product-detail/Retail-Plastic-Bra-Hangers-Wholesale-Underwear_60554522311.html), publicly available at least as early as Dec. 20, 2017 (7 pages).

“Smartly Branded SmartWool® Bras—Fixtures Close Up”, printed from [www.fixturescloseup.com/2014/03/01/smartly-branded-sports-bras/](http://www.fixturescloseup.com/2014/03/01/smartly-branded-sports-bras/), publicly available at least as early as Mar. 1, 2014, per <http://web.archive.org> (14 pages).

\* cited by examiner

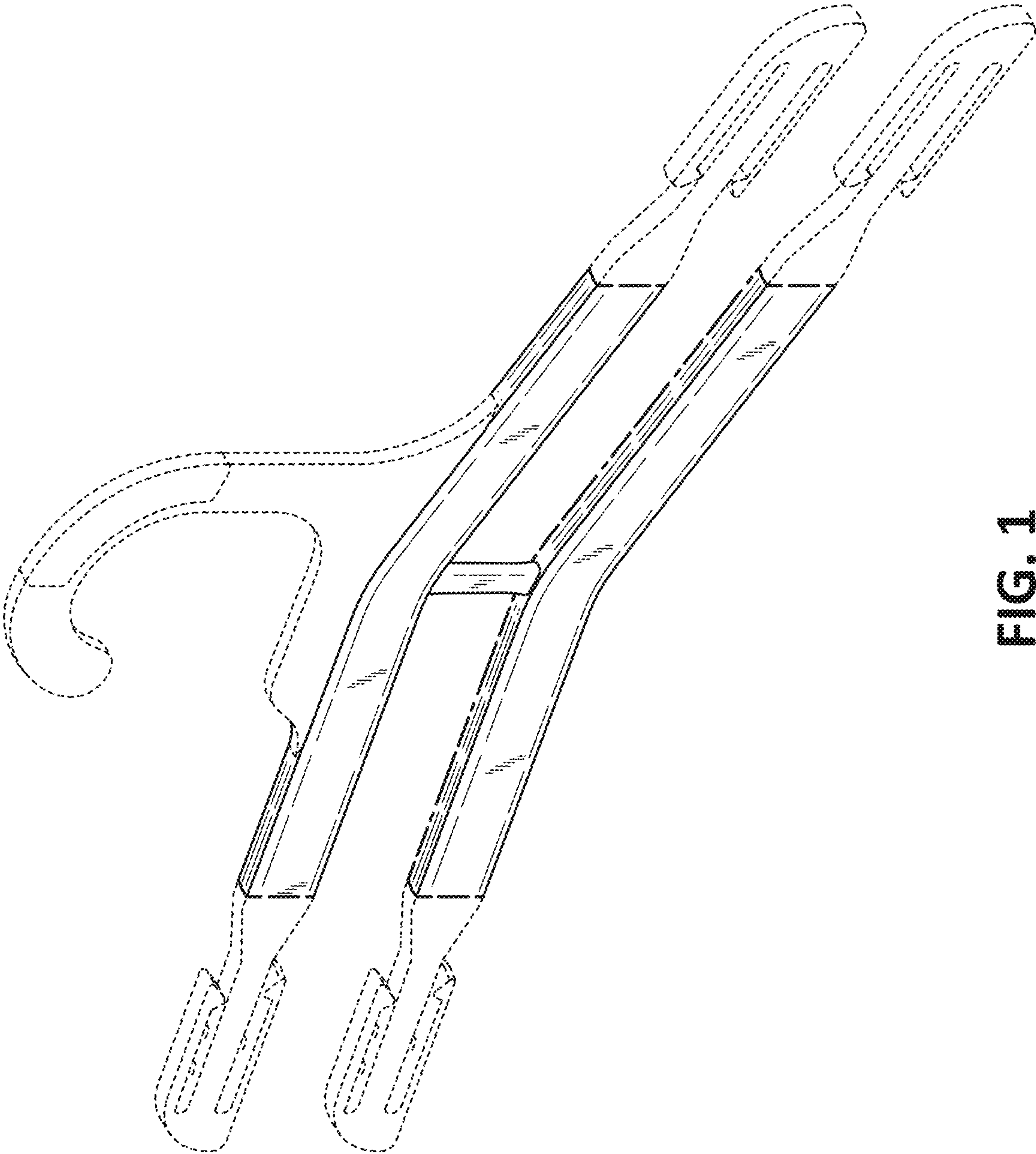


FIG. 1

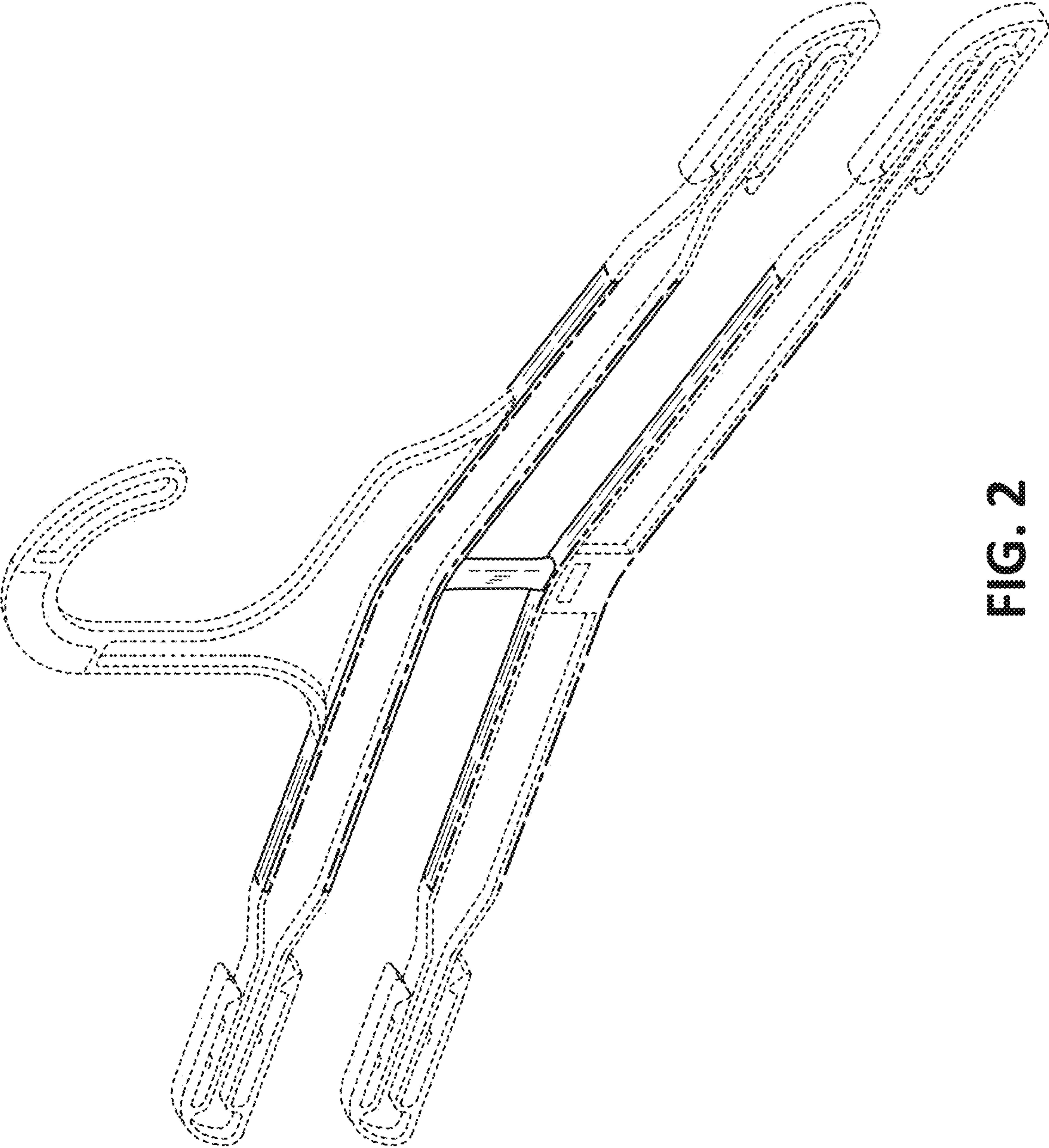


FIG. 2

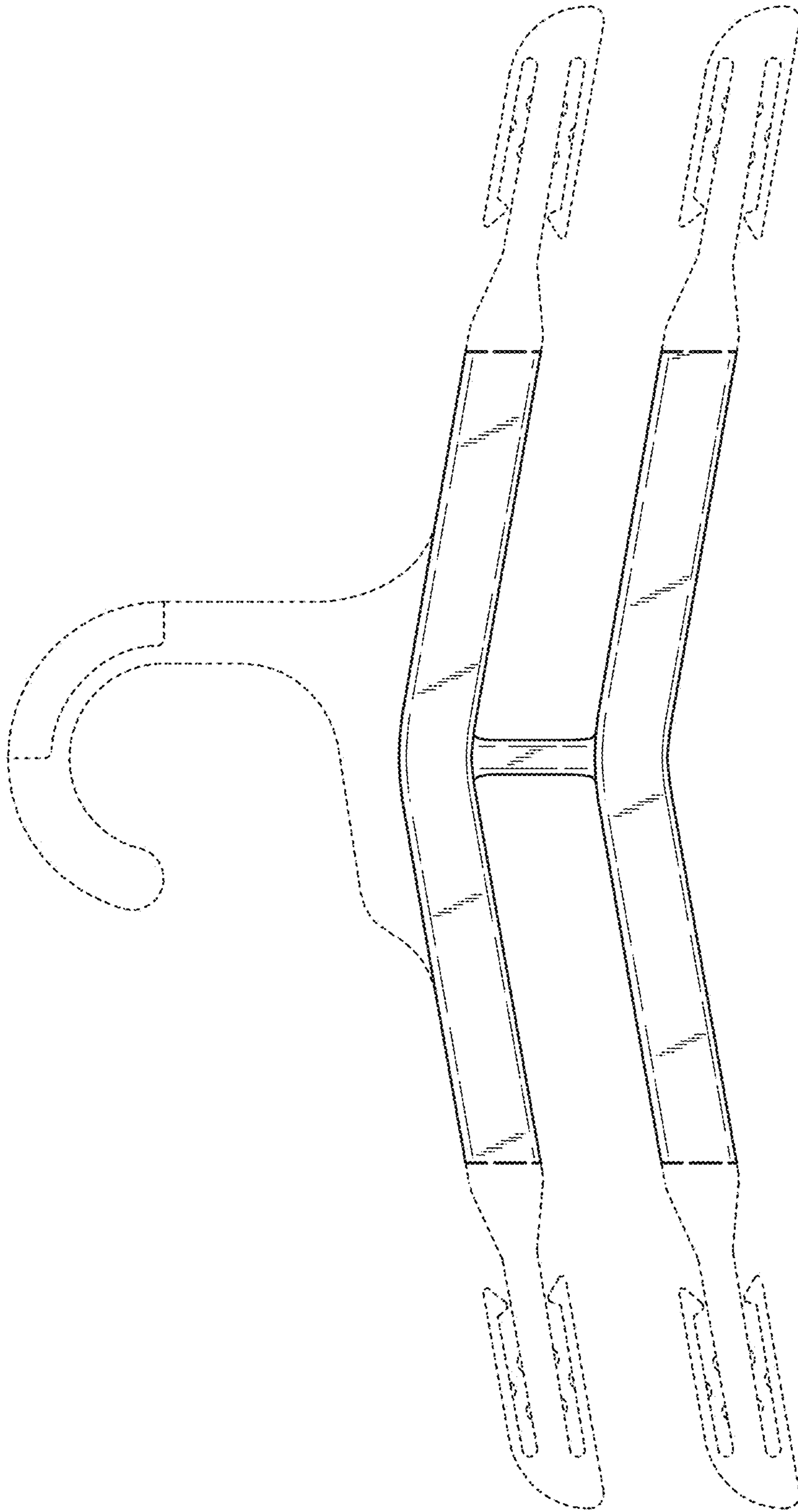


FIG. 3

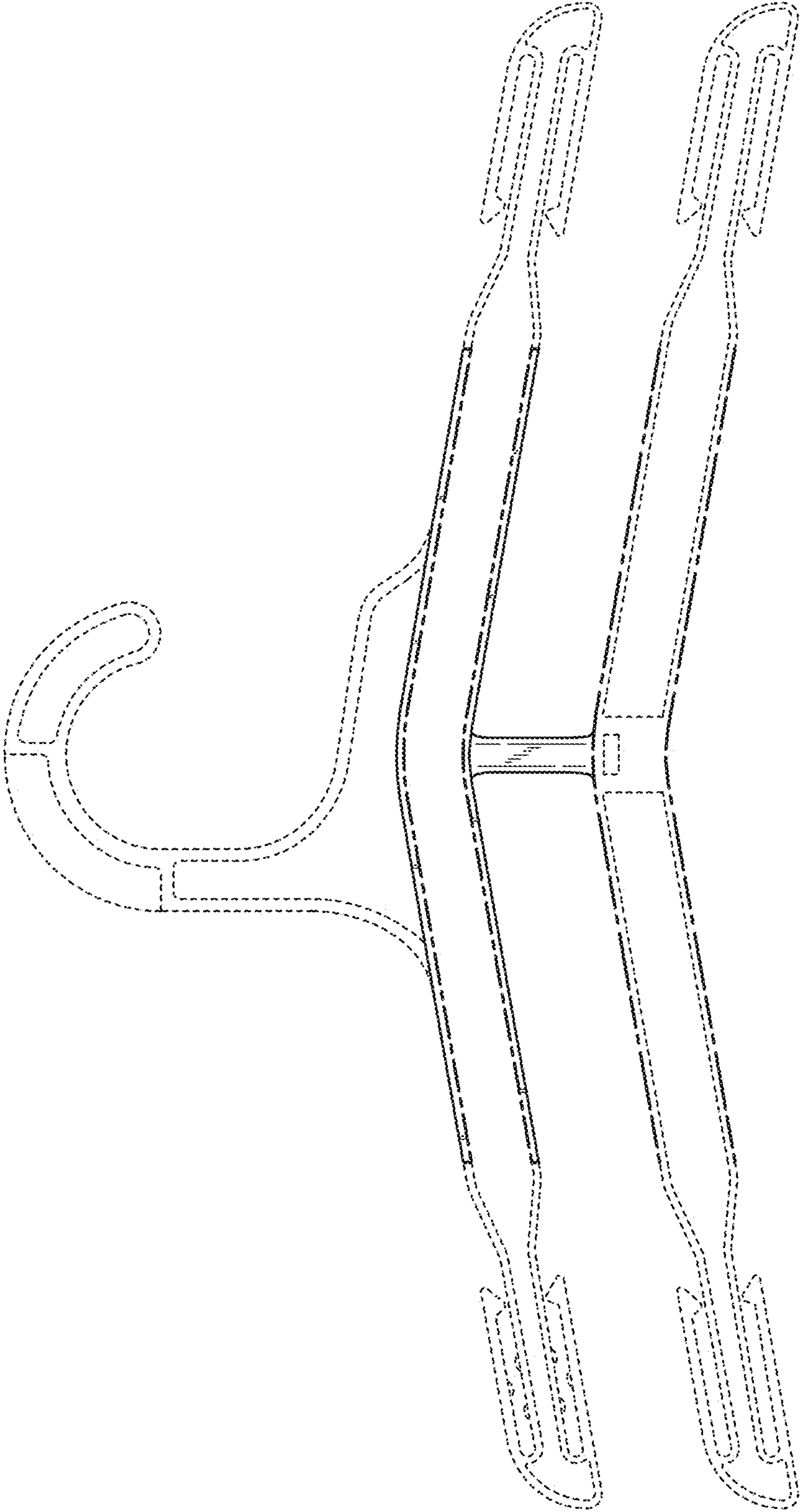


FIG. 4

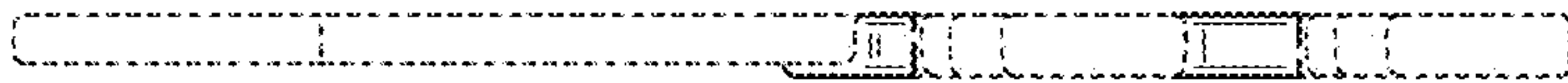


FIG. 5

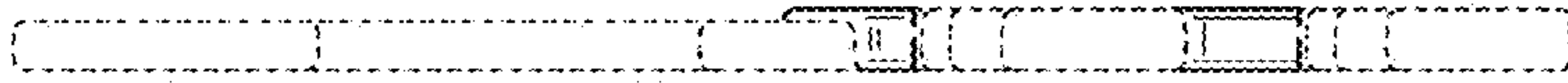


FIG. 6

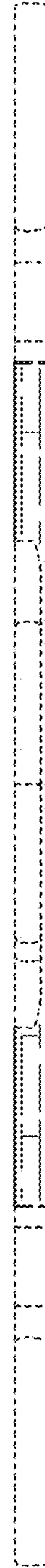


FIG. 7

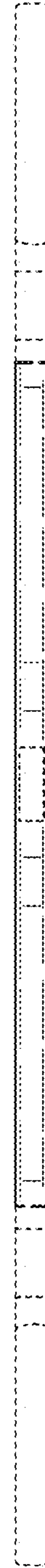


FIG. 8