

US00D931624S

(12) **United States Design Patent**  
**Wang**

(10) **Patent No.:** **US D931,624 S**

(45) **Date of Patent:** **\*\* Sep. 28, 2021**

(54) **MIRROR**

(71) Applicant: **ZHONGSHAN LEADER  
ELECTRICAL TECHNOLOGY CO.,  
LTD, Zhongshan (CN)**

(72) Inventor: **Qin Wang, Zhongshan (CN)**

(73) Assignee: **ZHONGSHAN LEADER  
ELECTRICAL TECHNOLOGY CO.,  
LTD, Zhongshan (CN)**

(\*\*) Term: **15 Years**

(21) Appl. No.: **29/762,492**

(22) Filed: **Dec. 16, 2020**

(51) **LOC (13) Cl.** ..... **06-07**

(52) **U.S. Cl.**  
USPC ..... **D6/309**

(58) **Field of Classification Search**  
USPC ..... D6/300-314  
CPC ..... A47G 1/00; A47G 1/0633; A47G 1/0622;  
A47G 1/04; A47G 2200/08; A47G  
2200/085; A45D 42/20  
See application file for complete search history.

(56) **References Cited**

**U.S. PATENT DOCUMENTS**

D136,932 S \* 12/1943 Martin ..... D6/300  
D141,306 S \* 5/1945 Michelli ..... D6/311

D464,808 S \* 10/2002 Martinez ..... D6/300  
D474,344 S \* 5/2003 Aguilar ..... D6/300  
D634,557 S \* 3/2011 Lewis ..... D6/300  
D817,011 S \* 5/2018 Maddox ..... D6/300  
D880,171 S 4/2020 Yang

**FOREIGN PATENT DOCUMENTS**

GB 6066548 \* 7/2019

\* cited by examiner

*Primary Examiner* — Deanna L Pratt

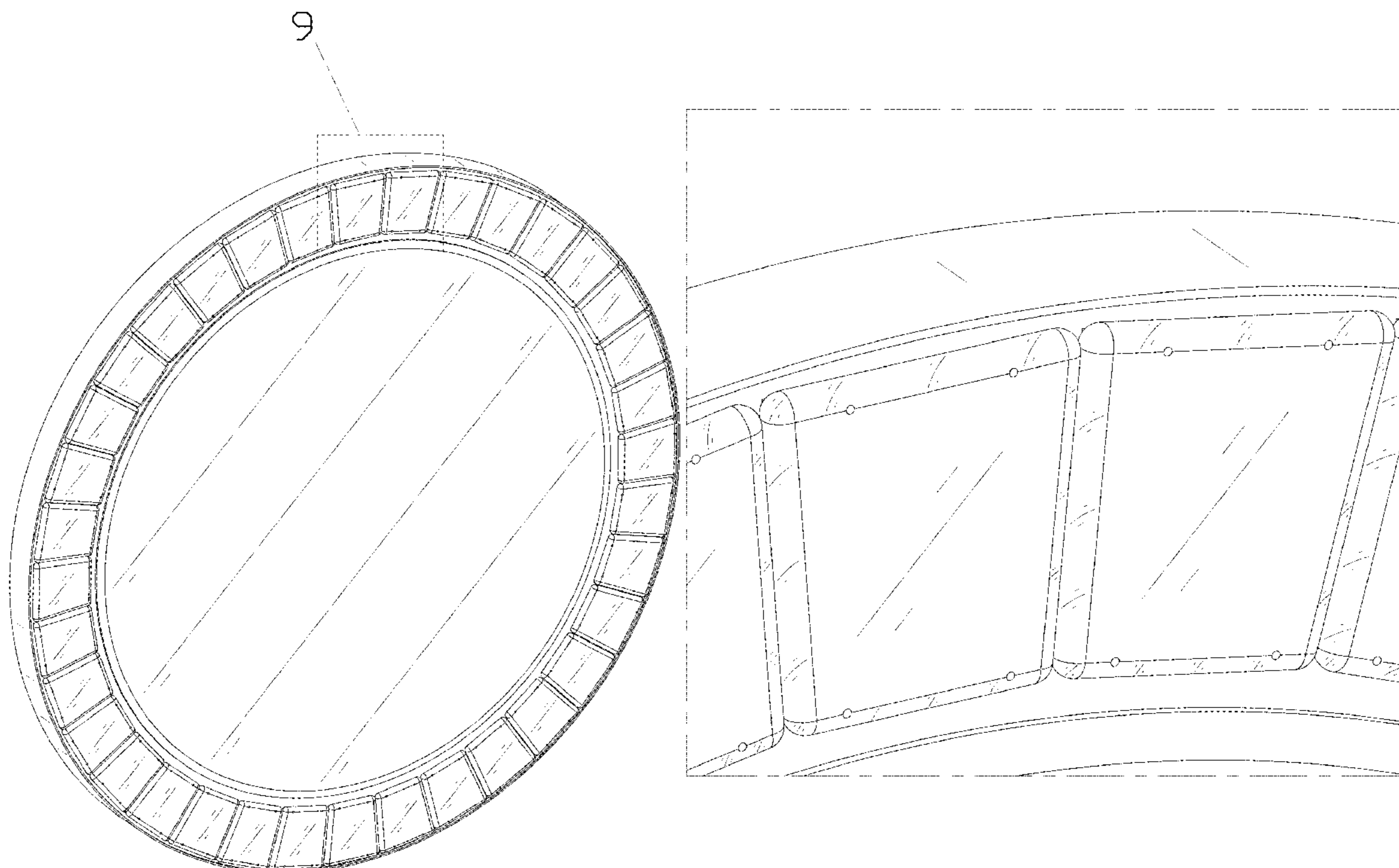
(57) **CLAIM**

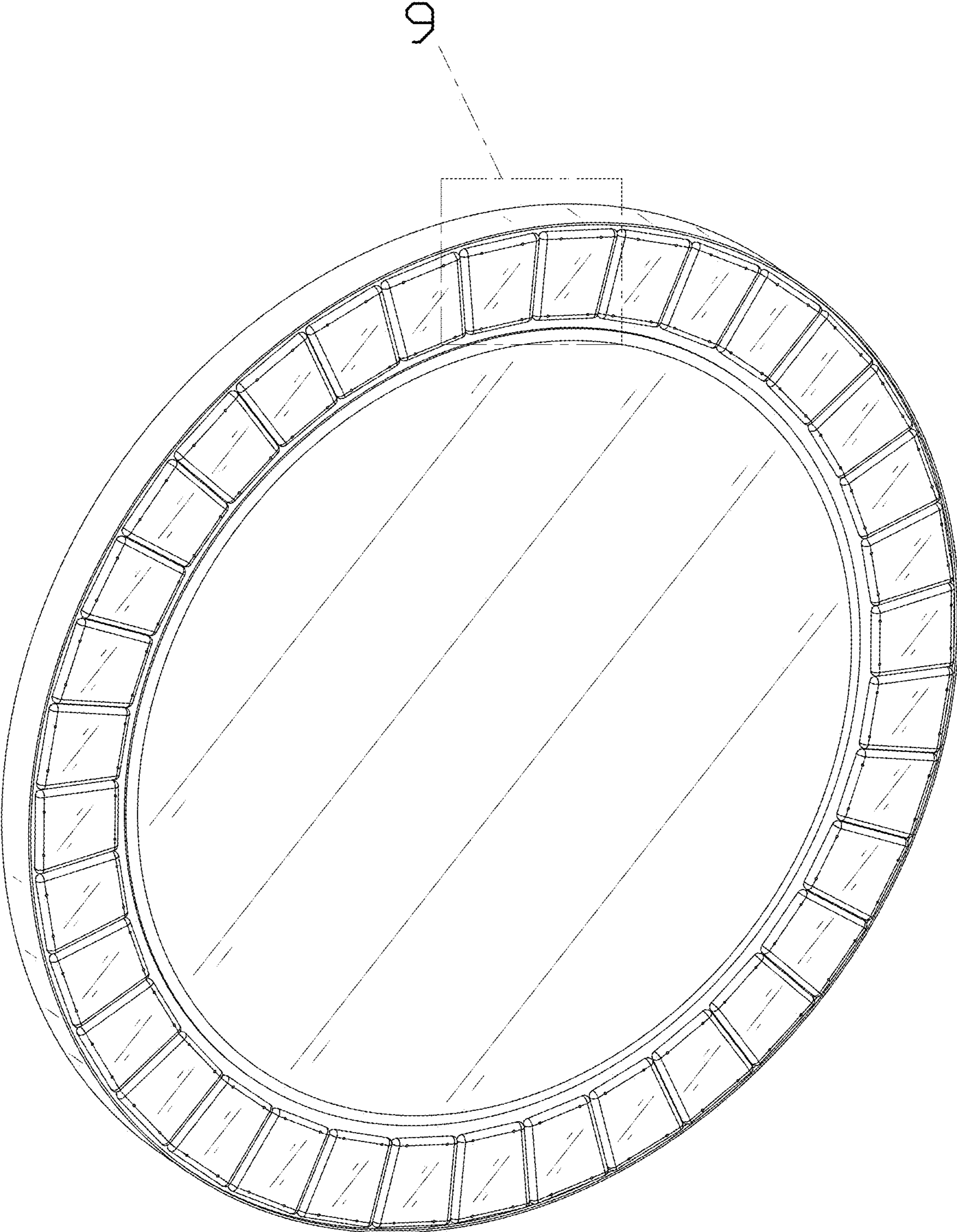
The ornamental design for a mirror, as shown and described.

**DESCRIPTION**

FIG. 1 is a perspective view of a mirror showing my new design;  
FIG. 2 is another perspective view thereof;  
FIG. 3 is a front elevational view thereof;  
FIG. 4 is a rear elevational view thereof;  
FIG. 5 is a left side elevational view thereof;  
FIG. 6 is a right side elevational view thereof;  
FIG. 7 is a top plan view thereof;  
FIG. 8 is a bottom plan view thereof; and,  
FIG. 9 is an enlarged view of portion 9 shown in FIG. 1.

**1 Claim, 9 Drawing Sheets**





9

FIG. 1

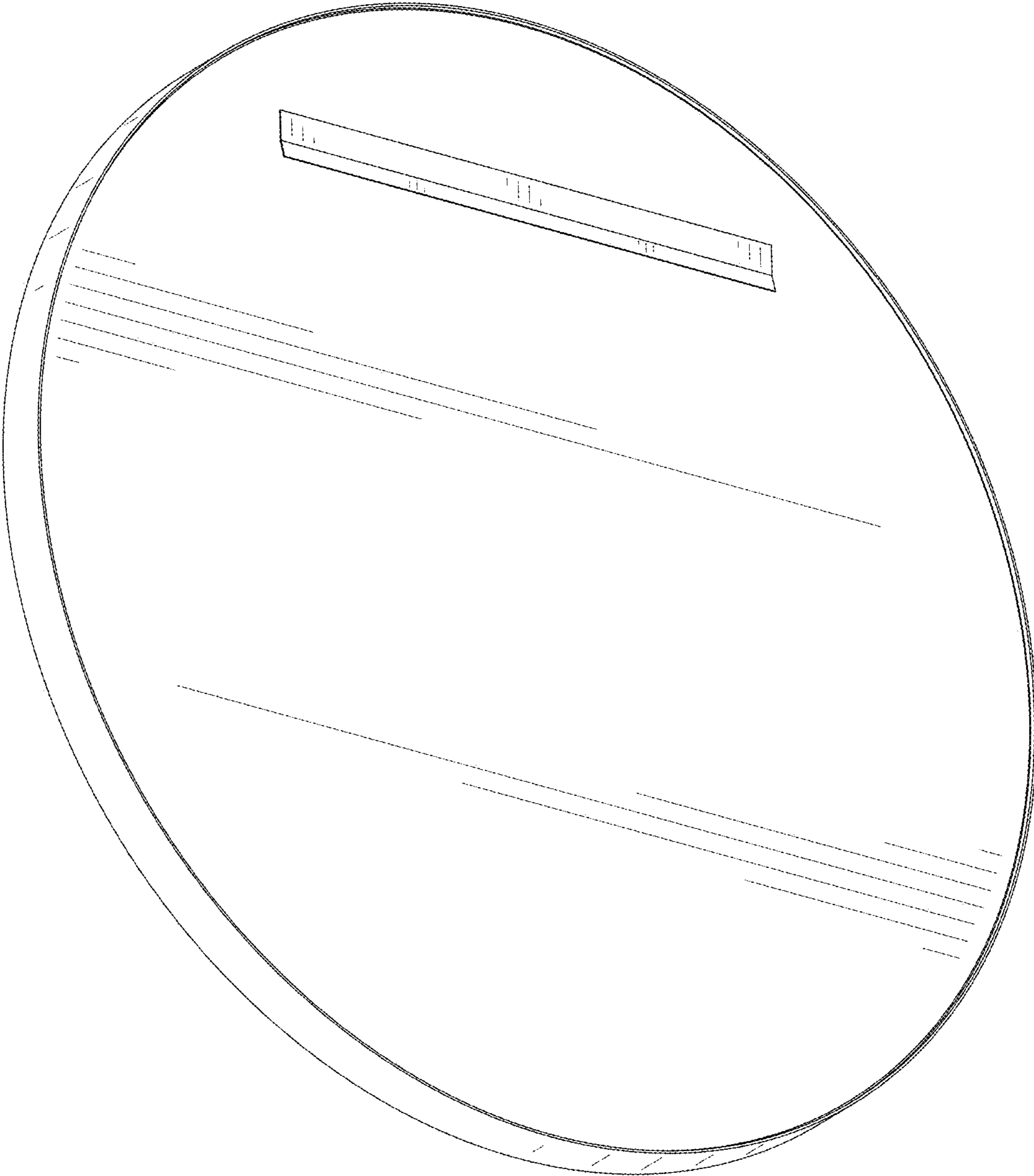


FIG. 2



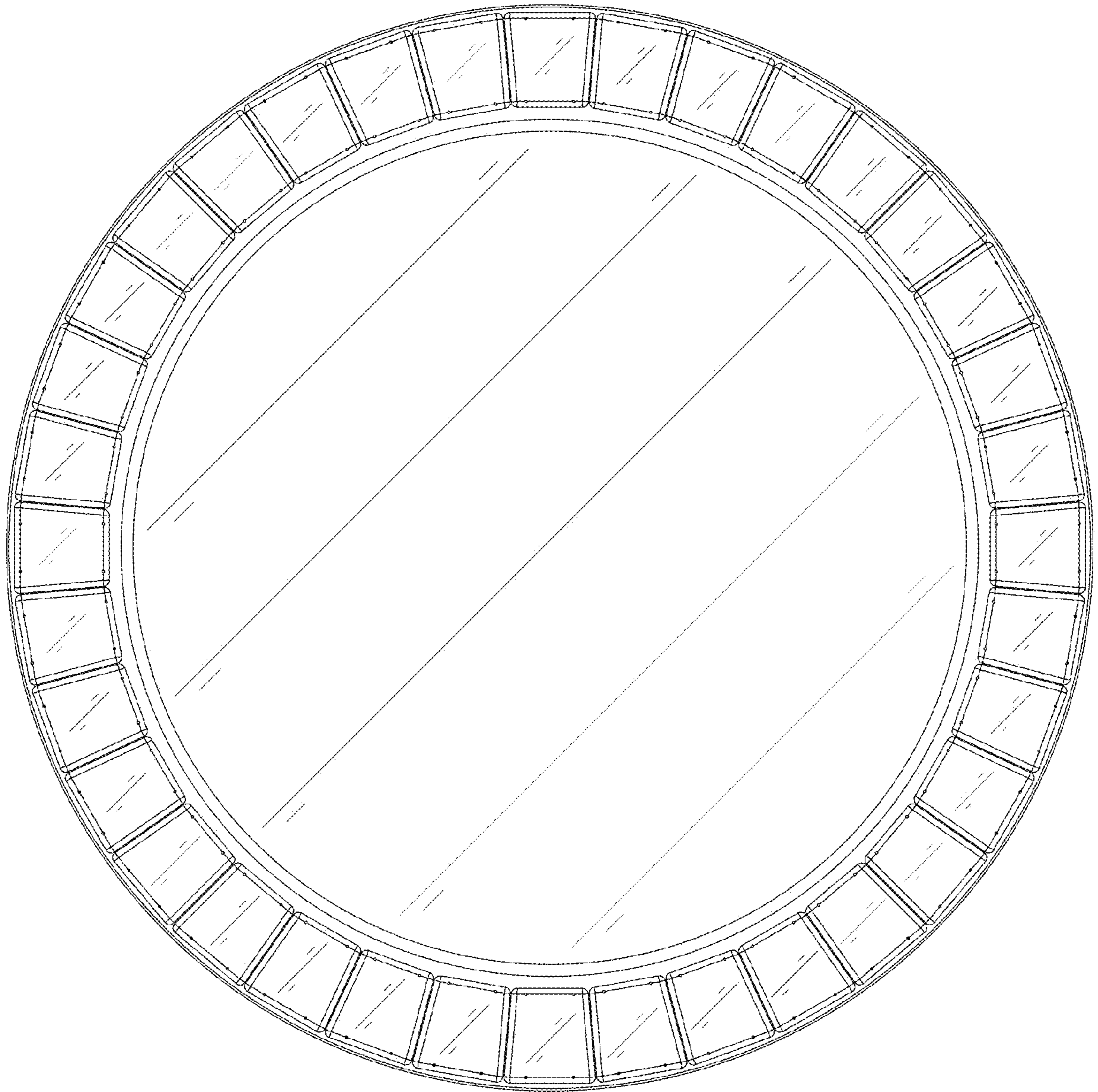


FIG. 3

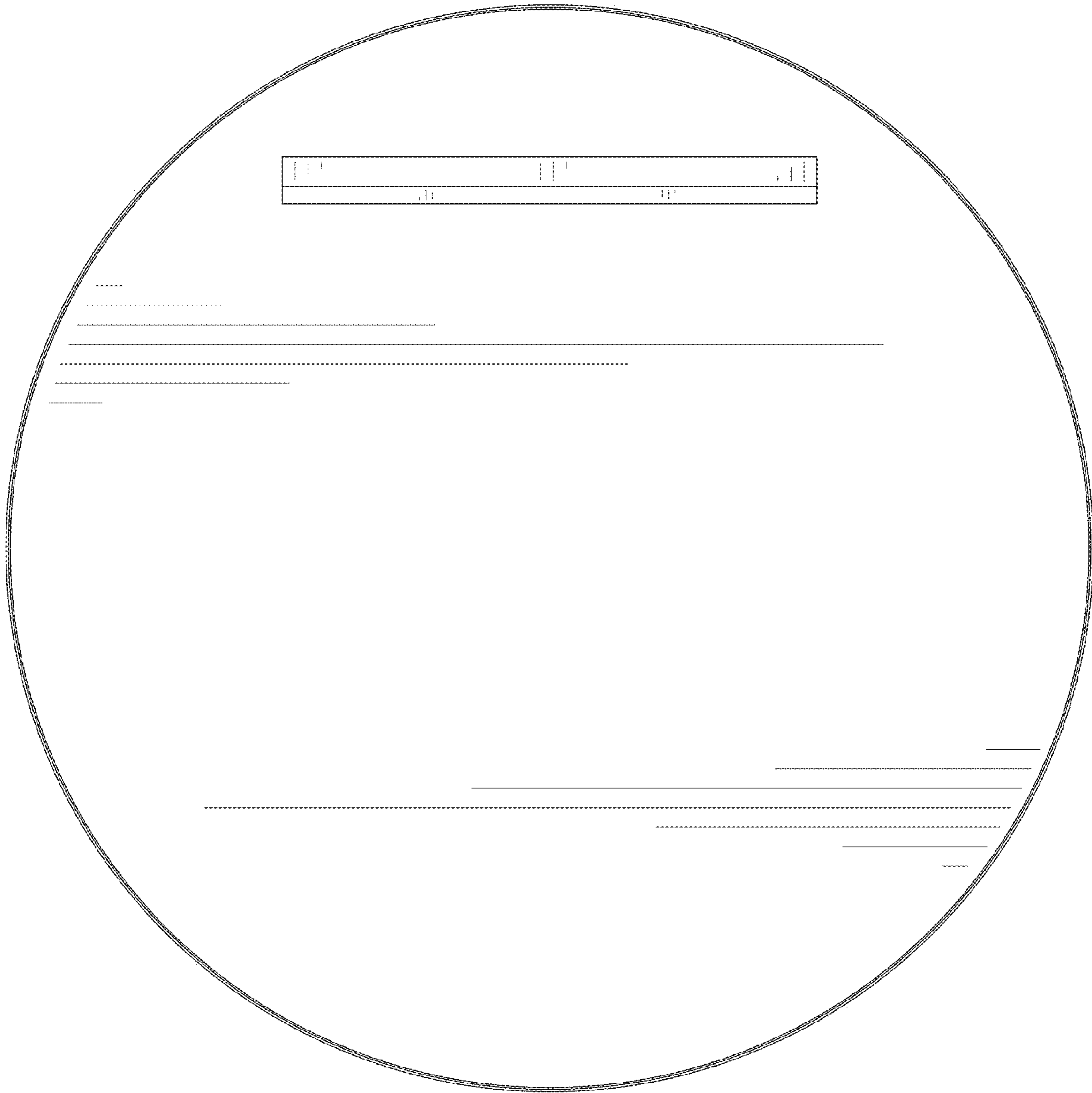


FIG. 4

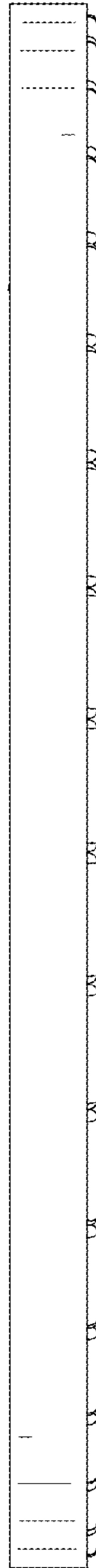


FIG. 5

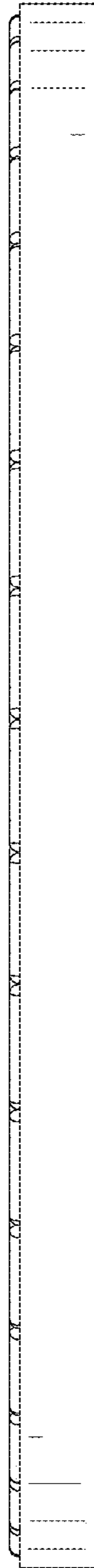


FIG. 6



FIG. 7





FIG. 8

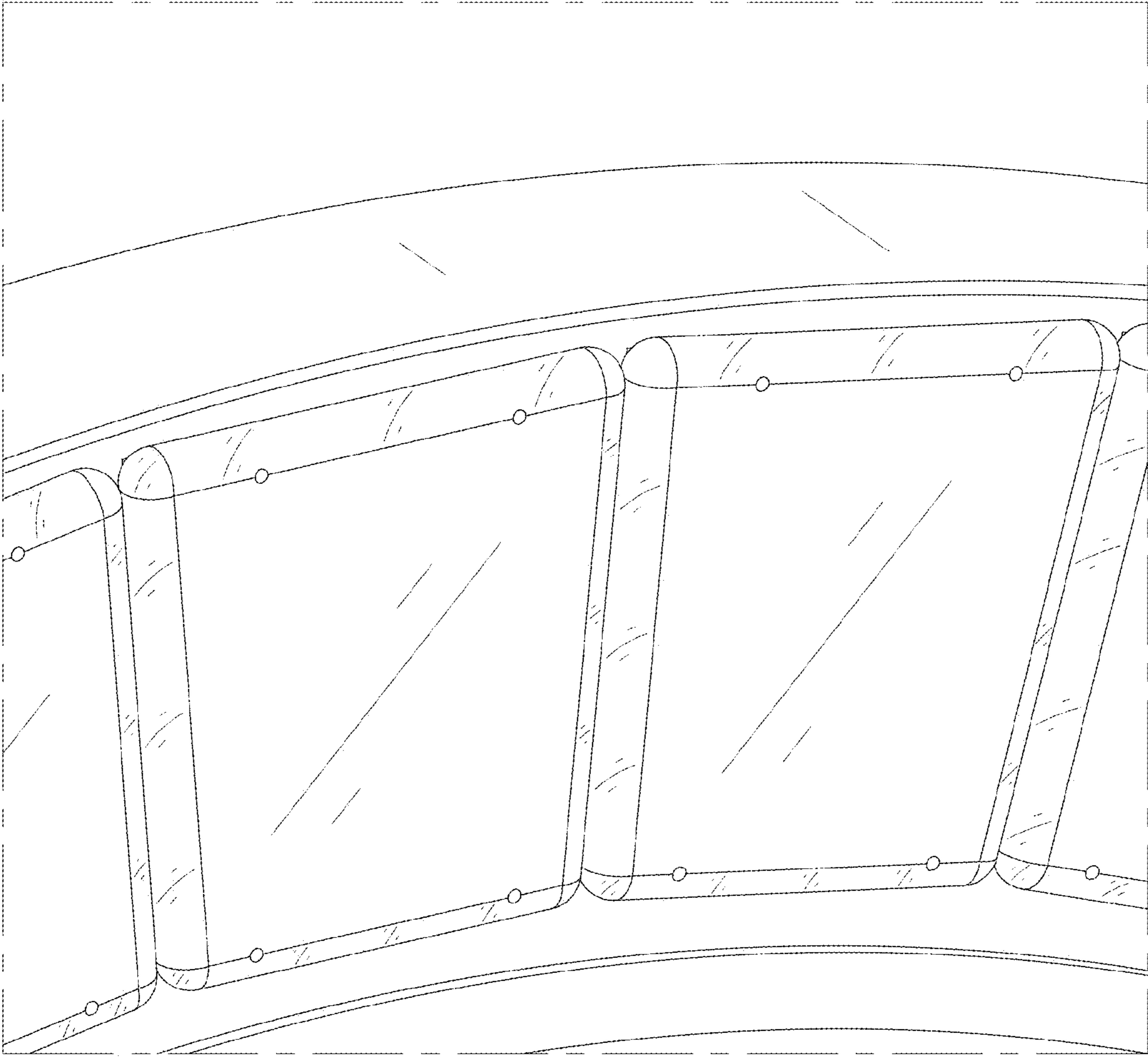


FIG. 9