



US00D931623S

(12) **United States Design Patent** (10) **Patent No.:** **US D931,623 S**
Goldstein (45) **Date of Patent:** **** Sep. 28, 2021**

(54) **PICTURE FRAME MOULDING**
(71) Applicant: **Ira Goldstein**, Raleigh, NC (US)
(72) Inventor: **Ira Goldstein**, Raleigh, NC (US)

D519,217 S * 4/2006 Eichner D25/119
D750,809 S * 3/2016 Shaw D25/136
D791,973 S * 7/2017 Tisherman D25/113
D797,956 S * 9/2017 Shaw D25/136
2016/0331158 A1* 11/2016 Leahy A47G 1/1613
2018/0220816 A1* 8/2018 Rajeski A47G 1/1633

(**) Term: **15 Years**

FOREIGN PATENT DOCUMENTS

(21) Appl. No.: **29/721,762**

KR 300915592.0000 * 12/2016

(22) Filed: **Jan. 23, 2020**

OTHER PUBLICATIONS

(51) **LOC (13) Cl.** **06-07**

7.5-ft Craftsman Style Picture Rail Moulding [online], [site visited Jul. 14, 2021]. Available from internet, URL: <<https://www.houseofantiquehardware.com/picture-rails-craftsman>> (Year: 2021).*

(52) **U.S. Cl.**

USPC **D6/300**

(58) **Field of Classification Search**

USPC D6/300-303, 308-314; D11/132, 133;
D20/10, 19, 27, 42; D25/60, 119, 136,
D25/164
CPC ... A47G 1/00; A47G 1/02; A47G 1/06; A47G
1/0605; A47G 1/0638; A47G 1/08; A47G
1/14; A47G 1/16; A47G 1/1606; A47G
1/1613; A47G 2001/0661; A47G
2001/0688; A47G 2001/0694; A47G
2001/148

* cited by examiner

Primary Examiner — George A Bugg
Assistant Examiner — Xavier Marti-Santos
(74) *Attorney, Agent, or Firm* — Robert G. Rosenthal

See application file for complete search history.

(57) **CLAIM**

The ornamental design for a picture frame moulding, substantially as shown.

(56) **References Cited**

U.S. PATENT DOCUMENTS

D258,090 S * 1/1981 Vihma D25/119
D322,678 S * 12/1991 Brathwaite D25/136
D446,870 S * 8/2001 Gardner D25/119
D451,213 S * 11/2001 Gardner D25/136
D456,088 S * 4/2002 Nelson D25/136
D505,210 S * 5/2005 Eichner D25/119

DESCRIPTION

FIG. 1 is a perspective view of the picture frame moulding showing my new design.

FIG. 2 is a left side view of the picture frame moulding.

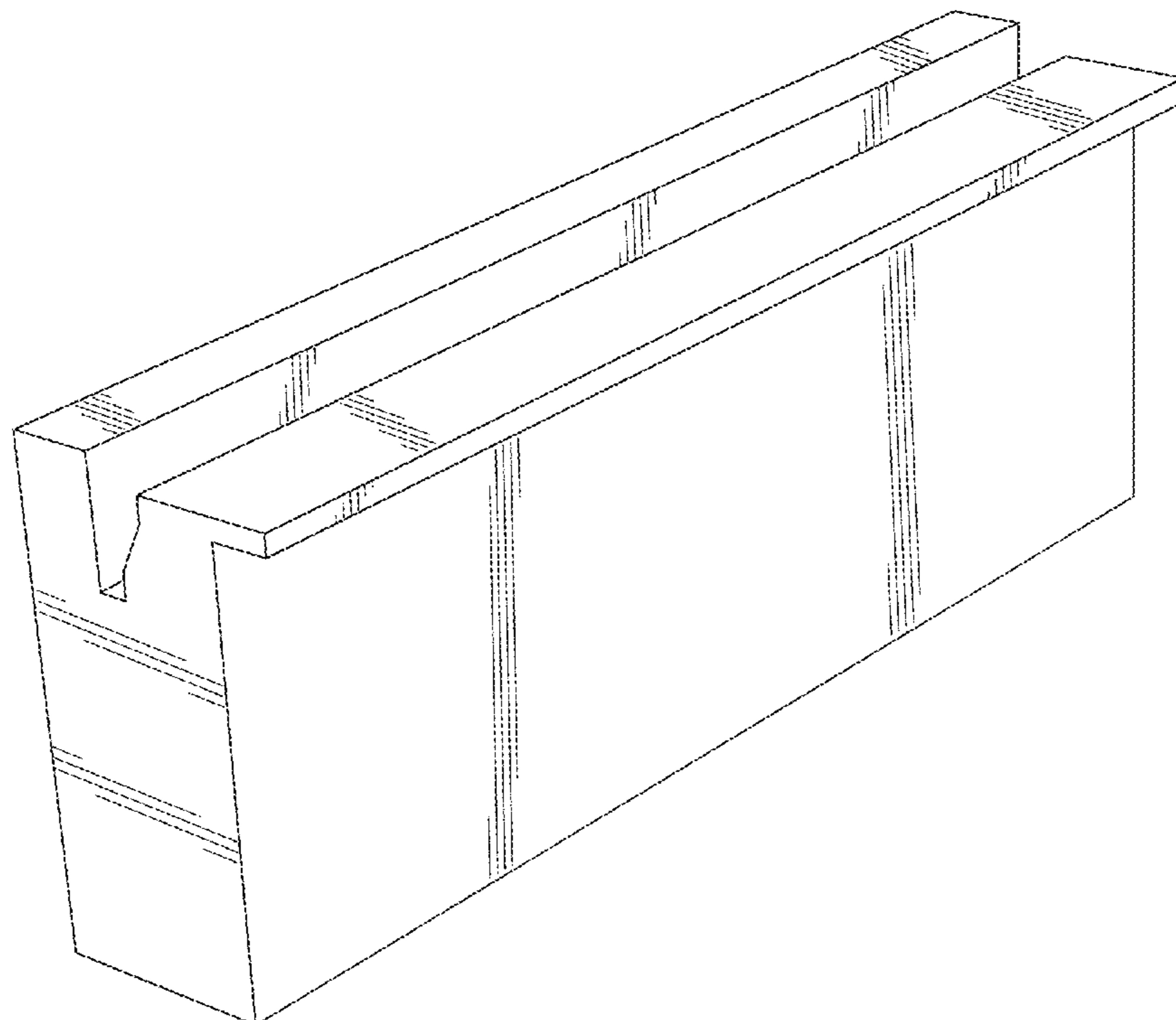
FIG. 3 is a right side view of the picture frame moulding.

FIG. 4 is a front view of the picture frame moulding.

FIG. 5 is a top view of the picture frame moulding; and,

FIG. 6 is bottom view of the picture frame moulding.

1 Claim, 5 Drawing Sheets



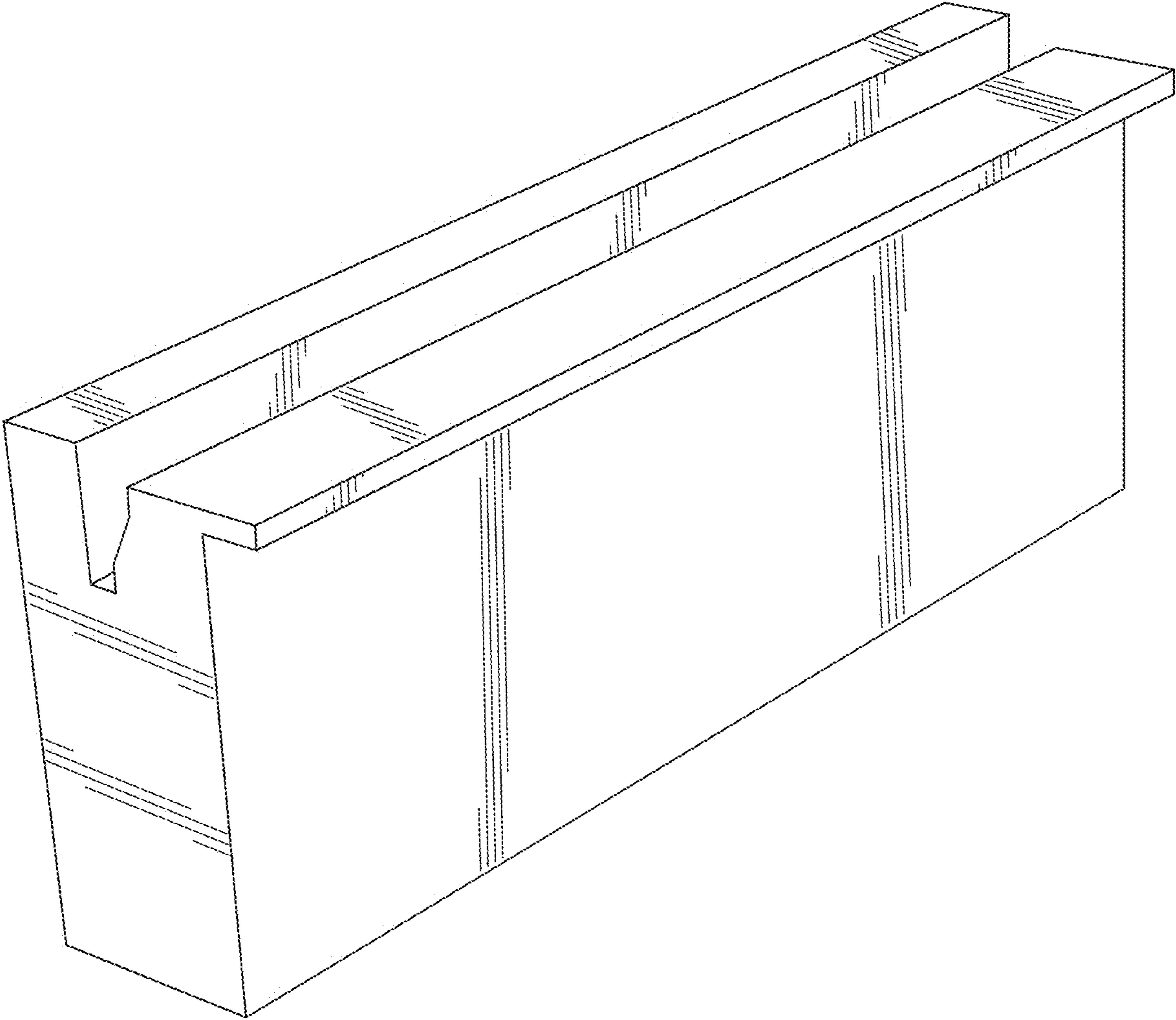


FIG. 1

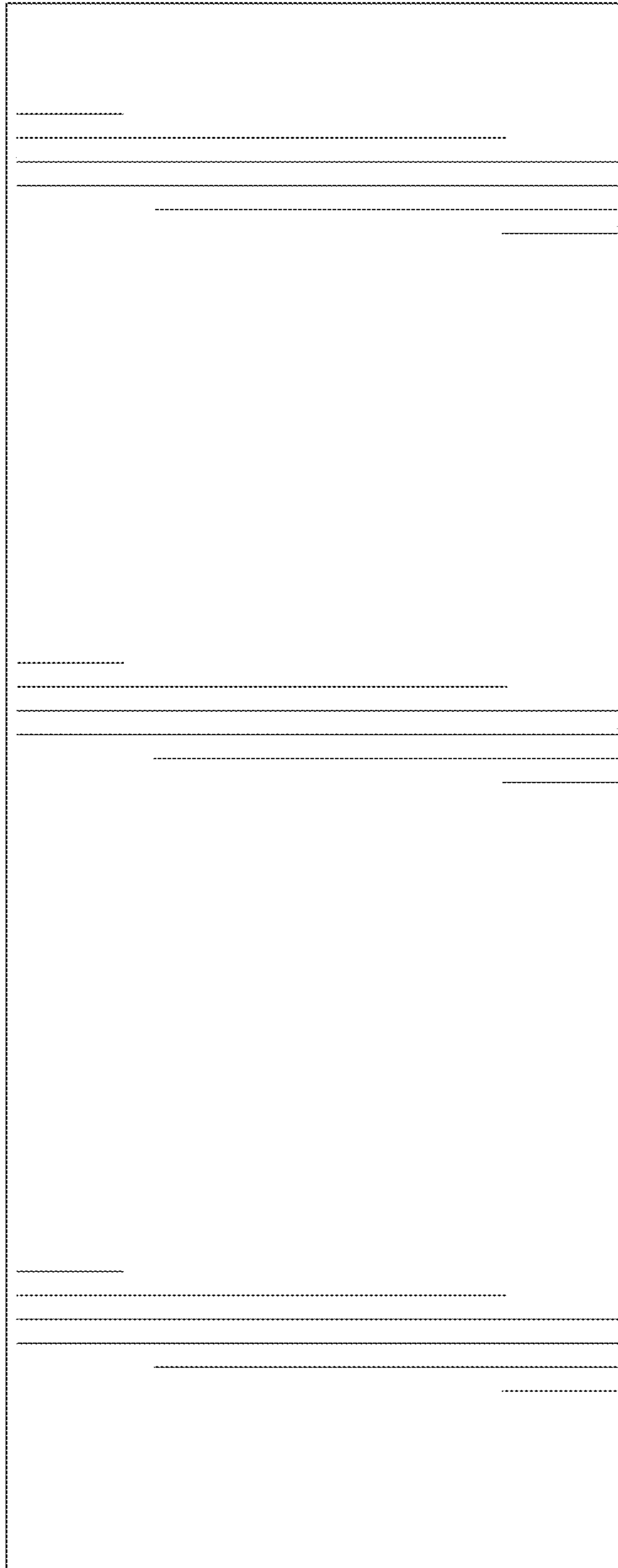


FIG. 2

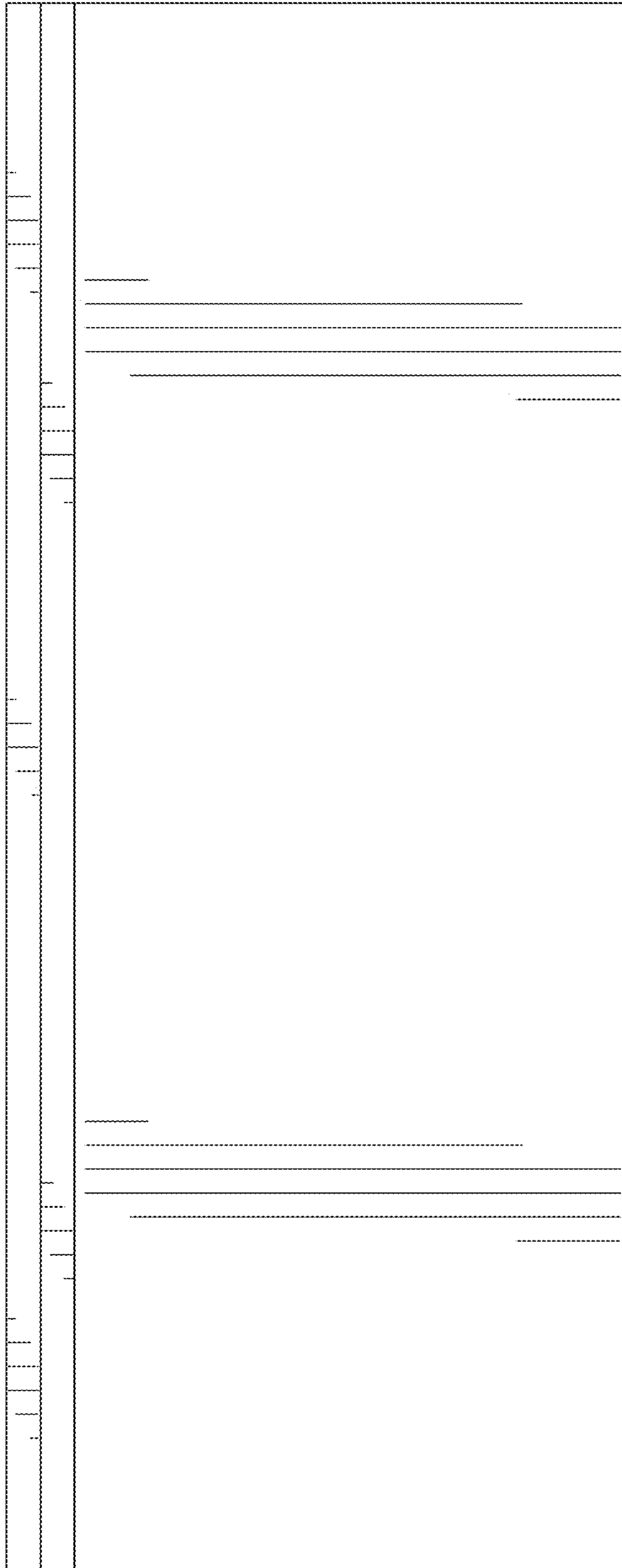


FIG. 3

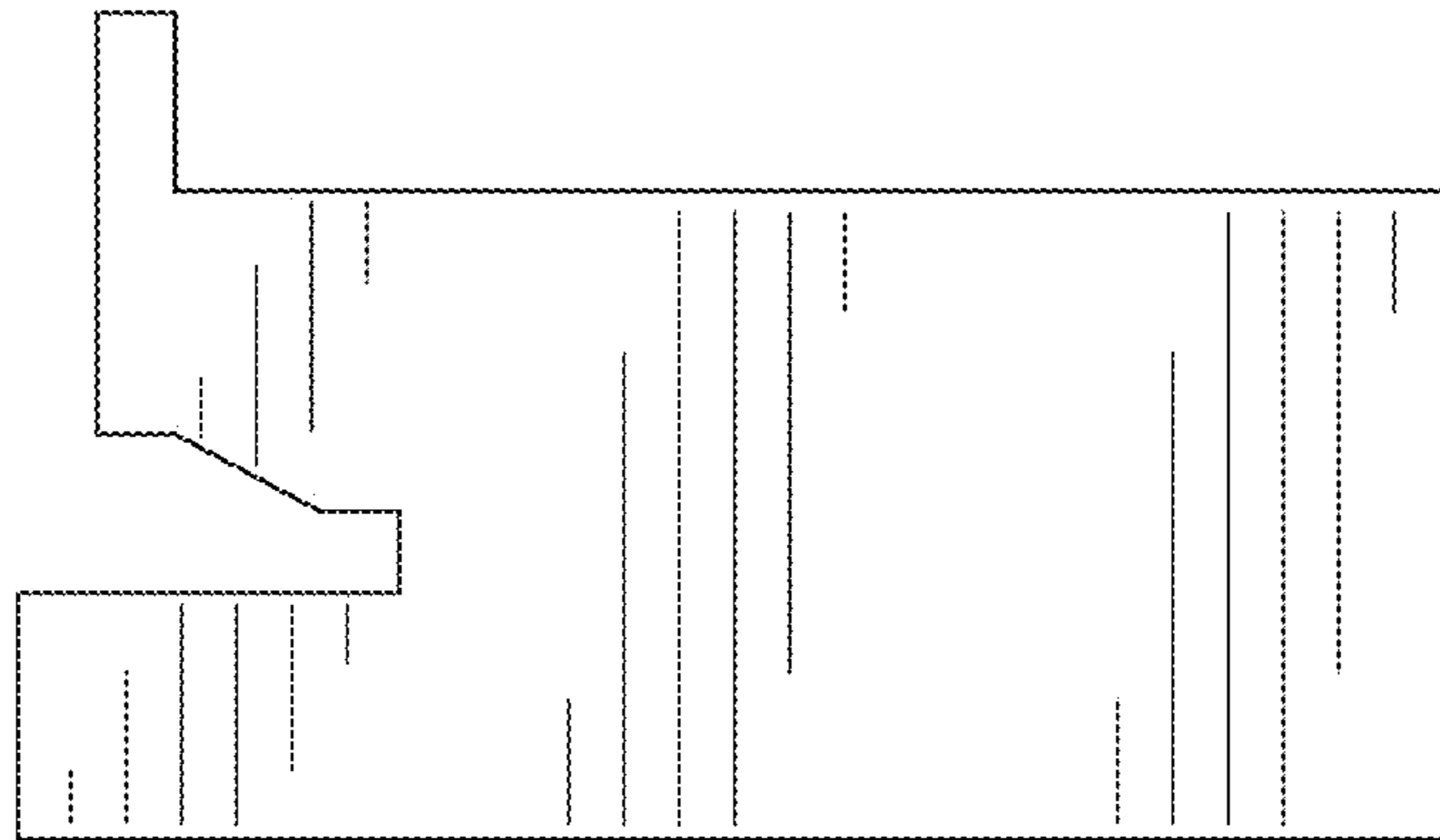


FIG. 4

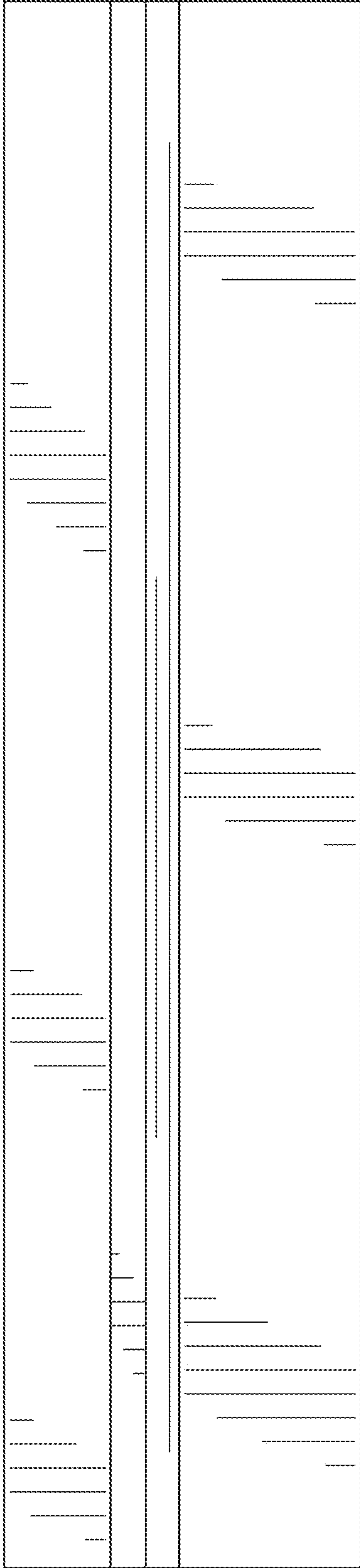


FIG. 5

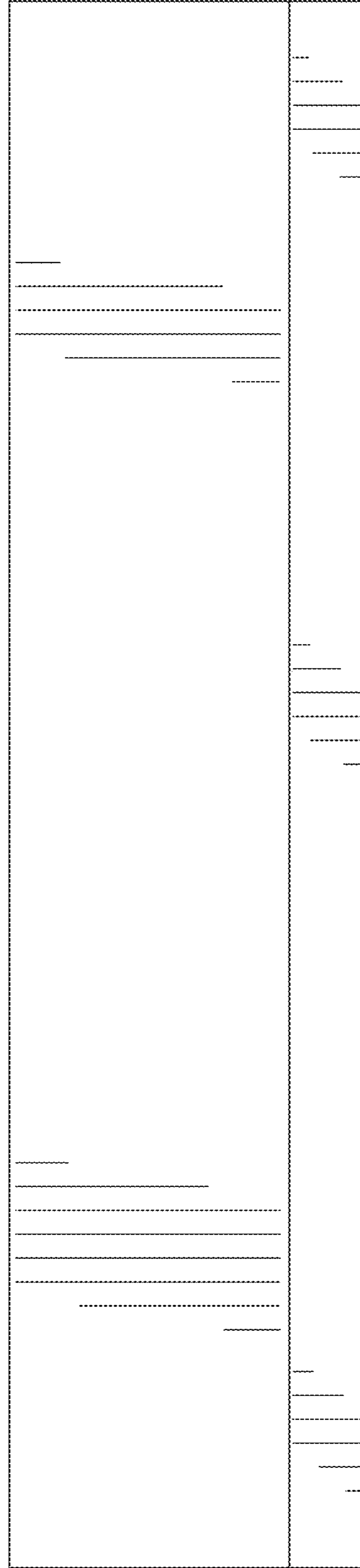


FIG. 6