



US00D931622S

(12) **United States Design Patent** (10) **Patent No.:** **US D931,622 S**
Bettanin (45) **Date of Patent:** **** Sep. 28, 2021**

(54) **PAINT BRUSH**

(74) *Attorney, Agent, or Firm* — Bay State IP, LLC

(71) Applicant: **Atlas S.A.**, Rio Grande do Sul (BR)

(57) **CLAIM**

(72) Inventor: **Dante Bettanin**, Rio Grande do Sul (BR)

The ornamental design for a paint brush, as shown and described.

(73) Assignee: **ATLAS S.A.**, Rio Grande do Sul (BR)

DESCRIPTION

(**) Term: **15 Years**

FIG. 1 is a perspective view of the paint brush showing my design;

(21) Appl. No.: **29/703,078**

FIG. 2 is a front elevational view thereof;

(22) Filed: **Aug. 23, 2019**

FIG. 3 is a rear elevational view thereof;

(30) **Foreign Application Priority Data**

FIG. 4 is a right side elevational view thereof;

Feb. 26, 2019 (BR) 30 2019 000755 0

FIG. 5 is a left side elevational view thereof;

(51) **LOC (13) Cl.** **04-01**

FIG. 6 is a top plan view thereof;

(52) **U.S. Cl.**

FIG. 7 is a bottom plan view thereof;

USPC **D4/138**

FIG. 8 is a perspective view of a first variant of the paint brush showing my design;

(58) **Field of Classification Search**

USPC D4/100, 102, 109, 114, 115, 116, 117, D4/118, 119, 120, 121, 122, 123, 124, D4/125, 126, 127, 128, 129, 130, 131, D4/132, 133, 134, 135, 136, 137, 138,

FIG. 9 is a front elevational view of the first variant thereof;

(Continued)

FIG. 10 is a rear elevational view of the first variant thereof;

(56) **References Cited**

U.S. PATENT DOCUMENTS

D366,150 S * 1/1996 Suchomel D4/116
D423,788 S * 5/2000 Southwell D4/118
D461,960 S * 8/2002 Bock D4/118

FIG. 11 is a right side elevational view of the first variant thereof;

(Continued)

FIG. 12 is a left side elevational view of the first variant thereof;

FOREIGN PATENT DOCUMENTS

CN 305882054 * 6/2020

FIG. 13 is a top plan view of the first variant thereof;

FIG. 14 is a bottom plan view of the first variant thereof;

FIG. 15 is a perspective view of a second variant of the paint brush showing my design;

FIG. 16 is a front elevational view of the second variant thereof;

FIG. 17 is a rear elevational view of the second variant thereof;

FIG. 18 is a right side elevational view of the second variant thereof;

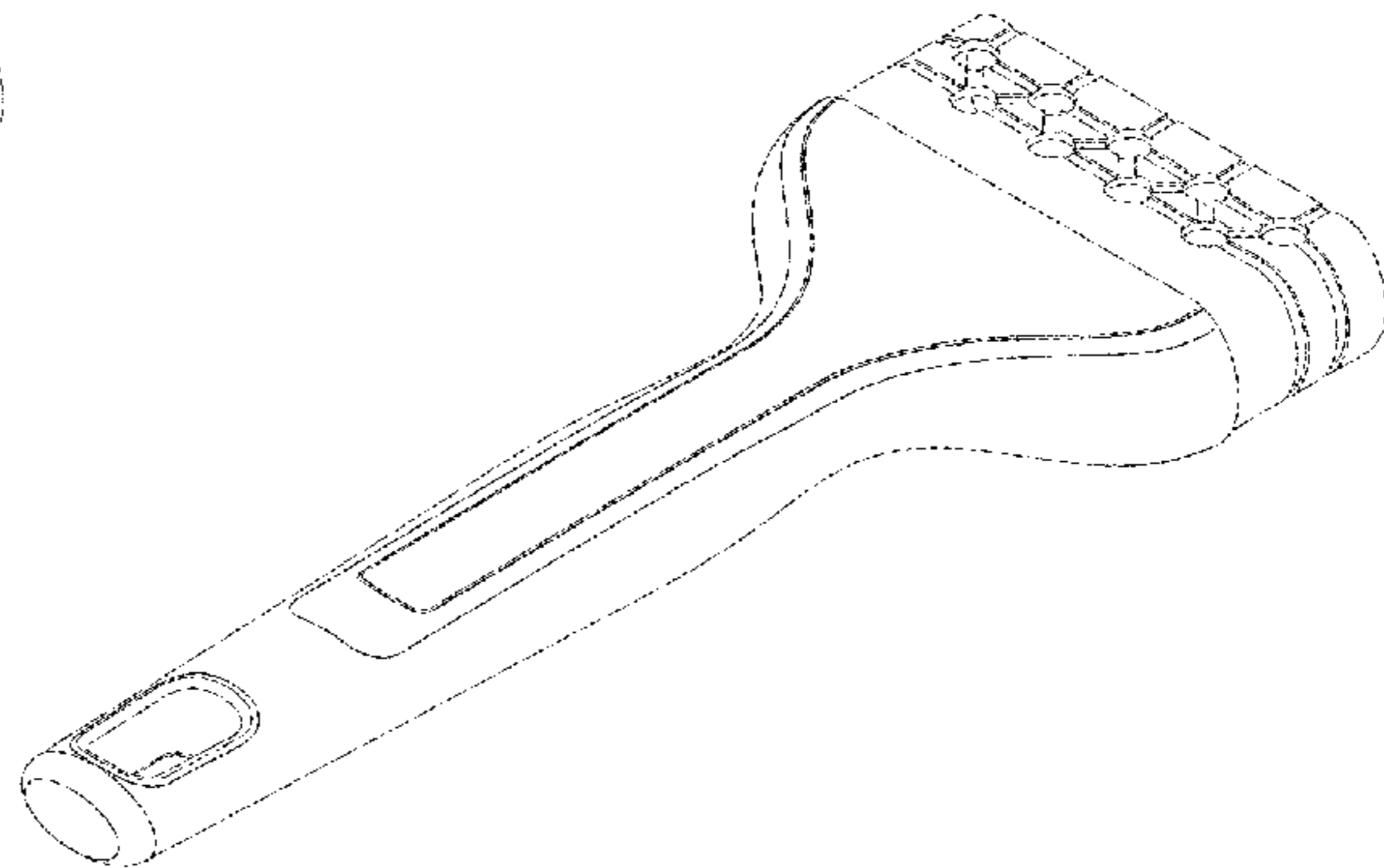
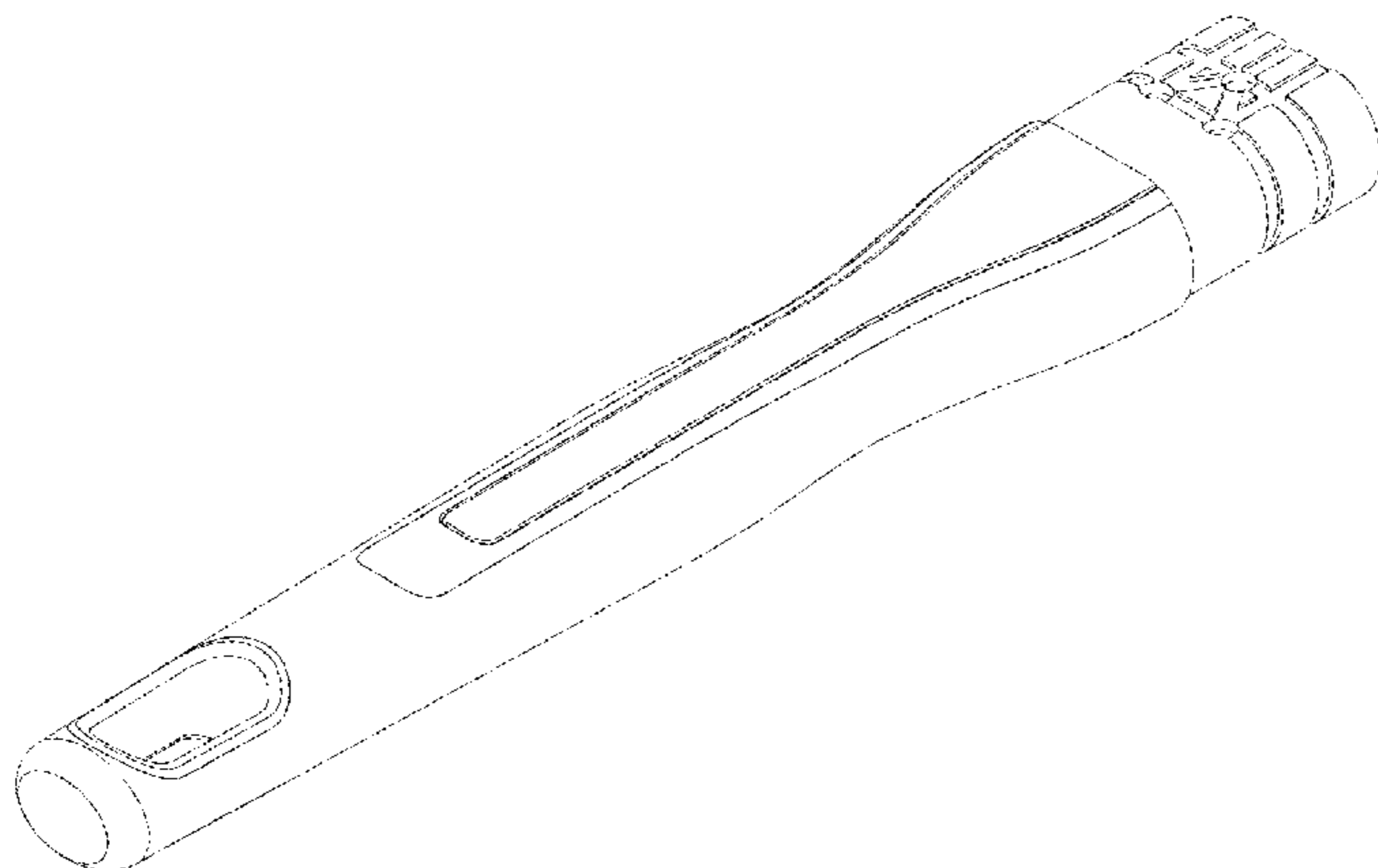
FIG. 19 is a left side elevational view of the second variant thereof;

FIG. 20 is a top plan view of the second variant thereof; and,

FIG. 21 is a bottom plan view of the second variant thereof.

1 Claim, 12 Drawing Sheets

Primary Examiner — Karen E Eldridge Powers



(58) **Field of Classification Search**

USPC D4/199; D32/40, 41, 42, 46, 49, 50, 51;
15/245

CPC ... B05C 17/00; B25G 3/38; Y10T 403/32344;
A46B 2200/20; A46B 2200/202; A46B
2200/302

See application file for complete search history.

(56) **References Cited**

U.S. PATENT DOCUMENTS

D495,145	S	*	8/2004	Gladden	D4/138
D580,177	S	*	11/2008	Louis-Jeune	D4/121
D600,024	S	*	9/2009	McGuire	D4/111
D637,819	S	*	5/2011	Arvinte	D4/138
D638,223	S	*	5/2011	Arvinte	D4/138
D646,488	S	*	10/2011	Rennette	D4/116
D756,662	S	*	5/2016	Lambertson, Jr.	D4/138
D762,070	S	*	7/2016	Katsuma	D4/199
D802,137	S	*	11/2017	Butz	D24/152
D866,897	S	*	11/2019	Baxter	D32/50
D871,775	S	*	1/2020	Butz	D4/133
D889,135	S	*	7/2020	Pavilonis	D4/135
2003/0005533	A1	*	1/2003	Woodnorth	B05C 17/0205 15/143.1
2004/0200748	A1	*	10/2004	Klassen	A46B 15/0091 206/368

* cited by examiner

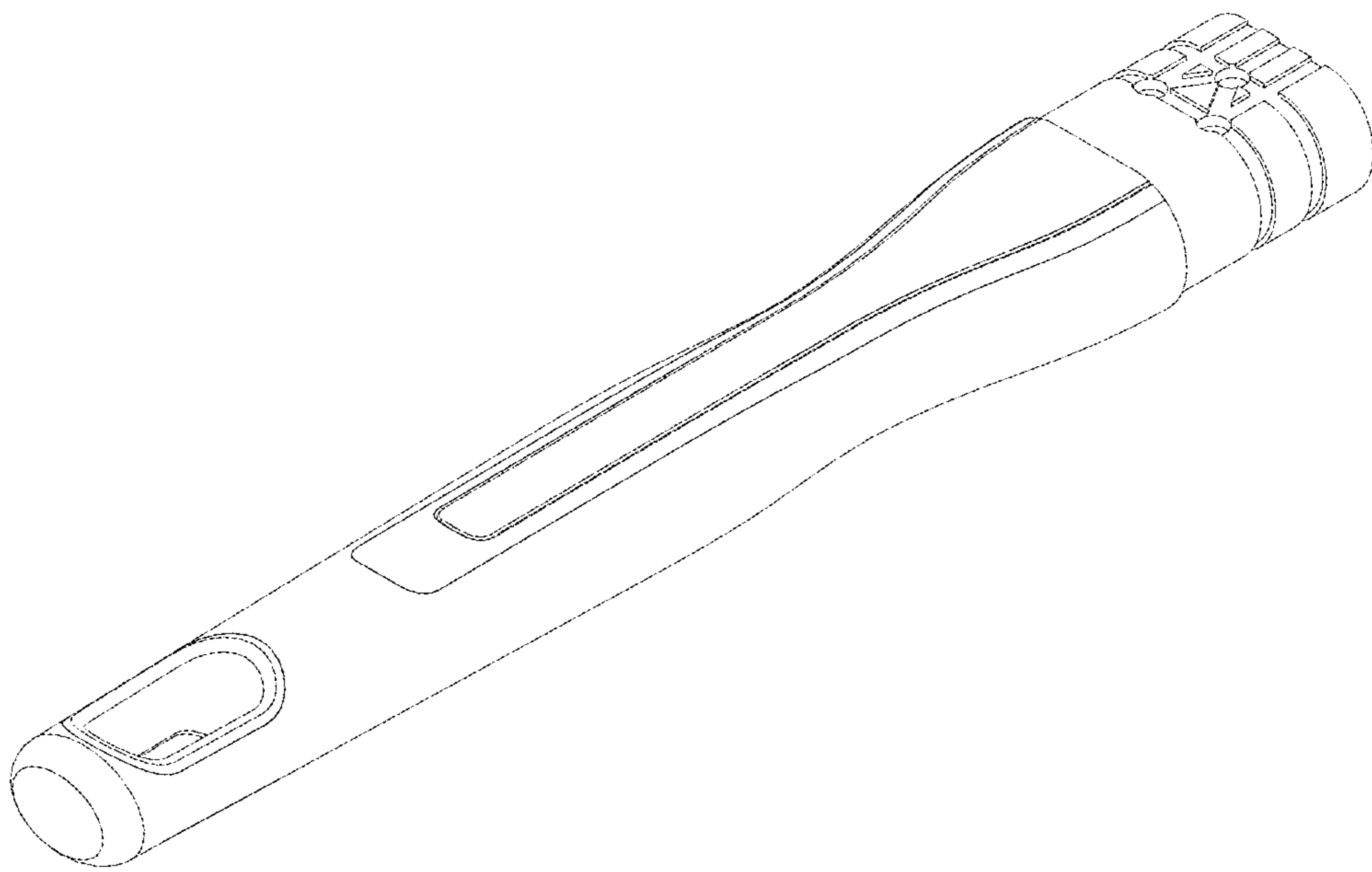


FIG.1

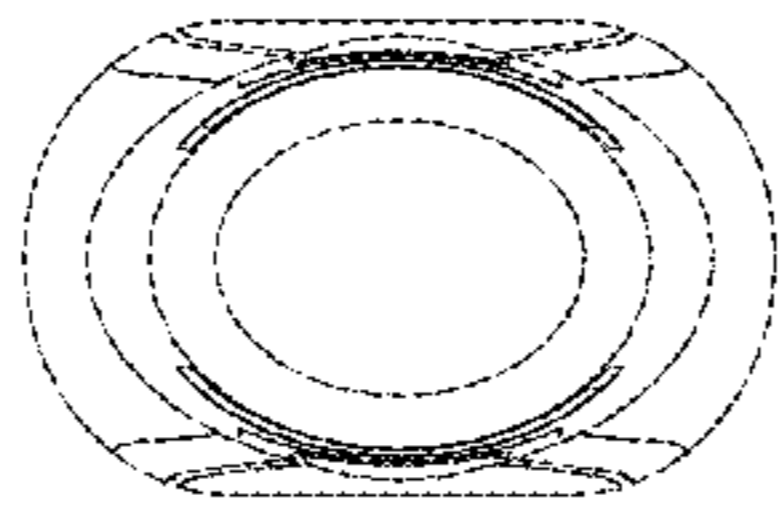


FIG. 2

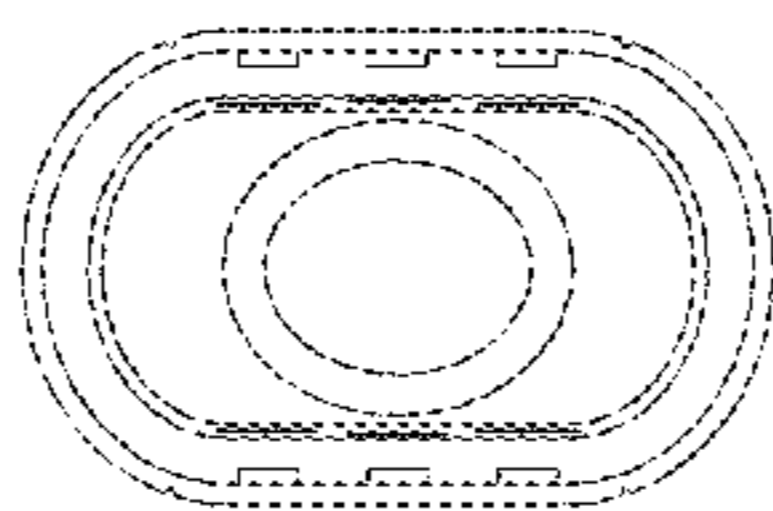


FIG. 3

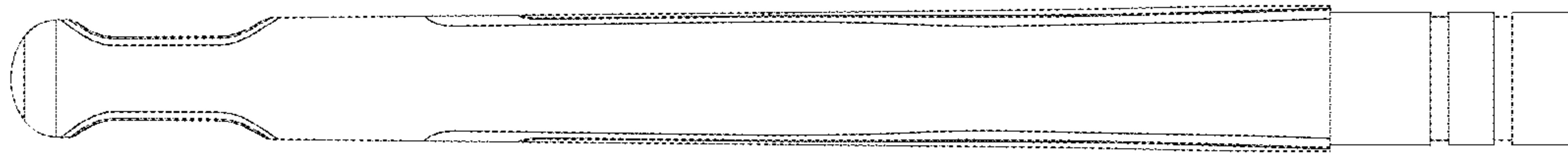


FIG.4

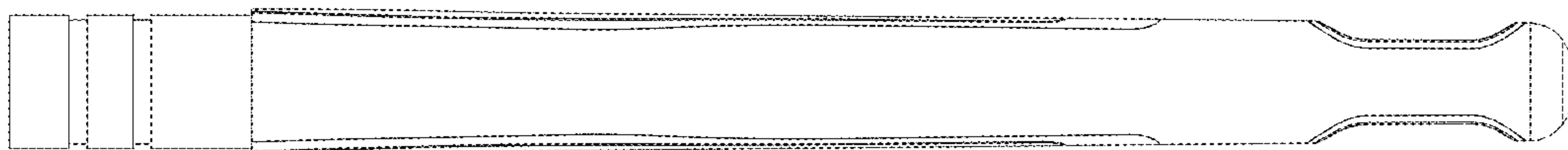


FIG.5

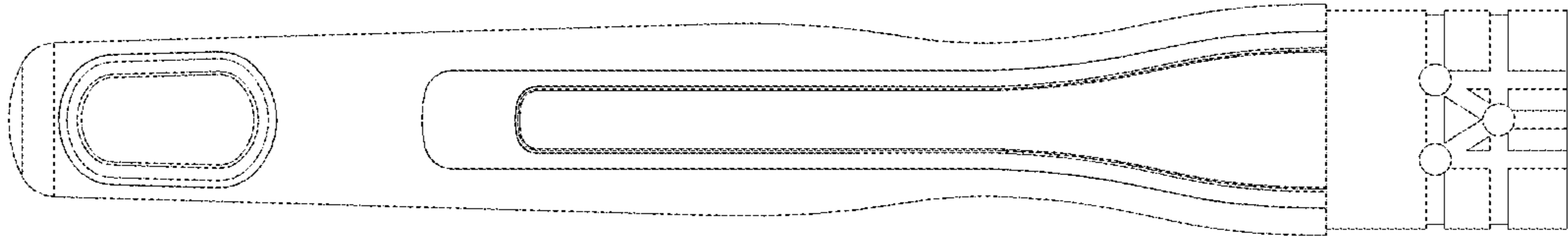


FIG. 6

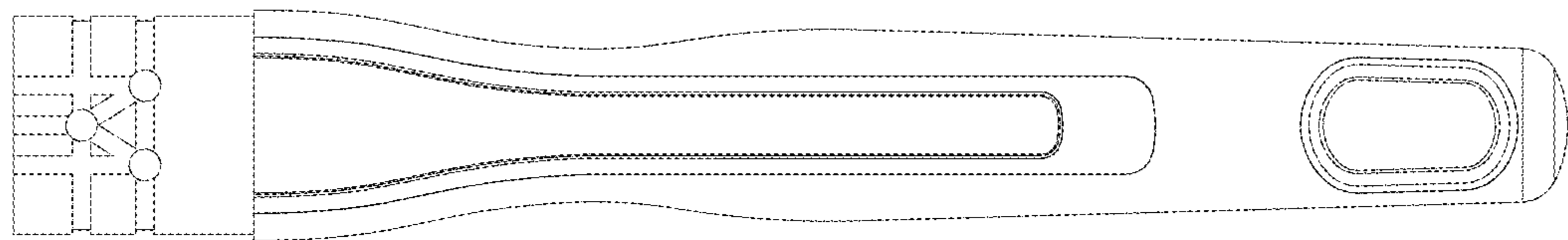


FIG. 7

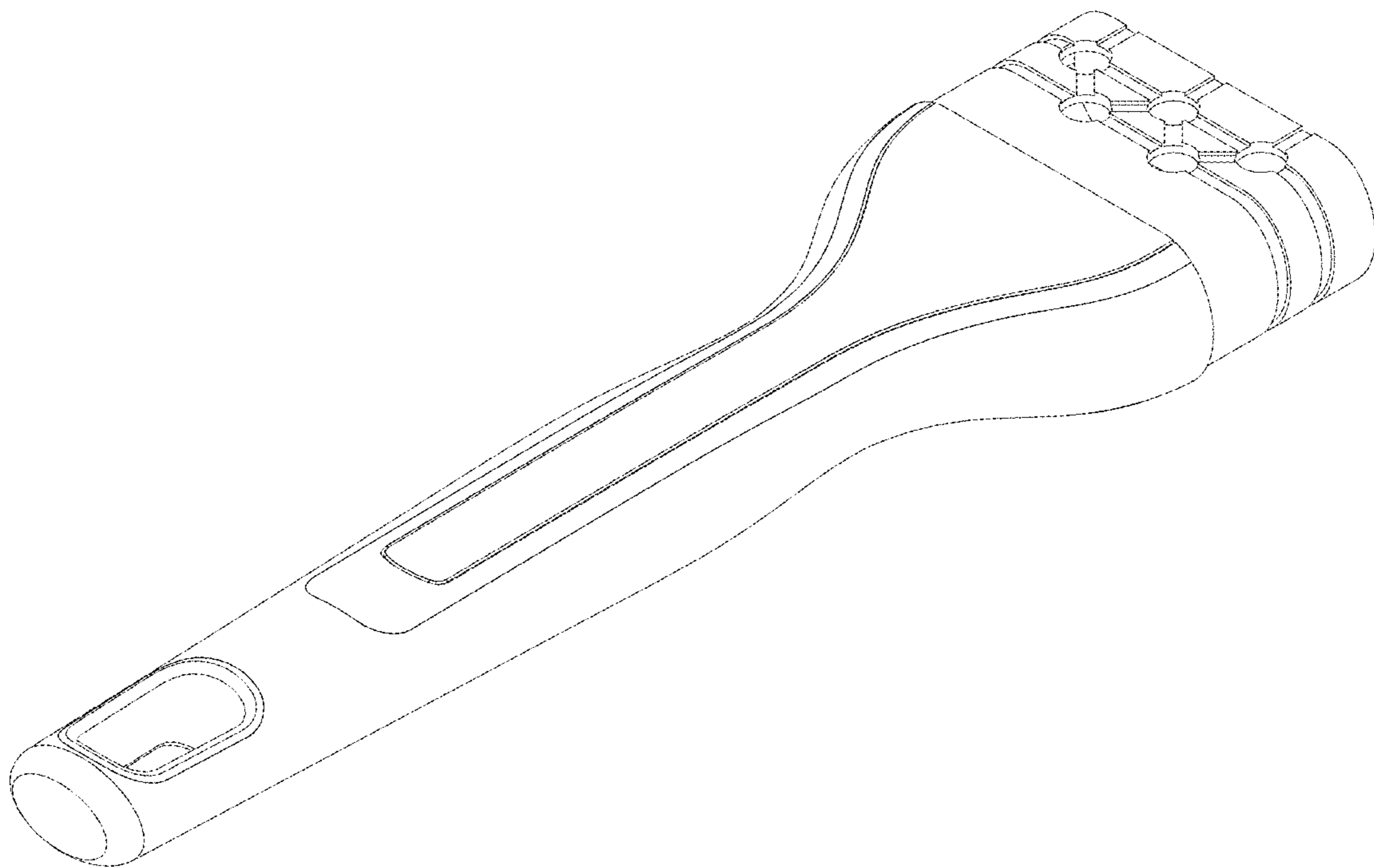


FIG.8

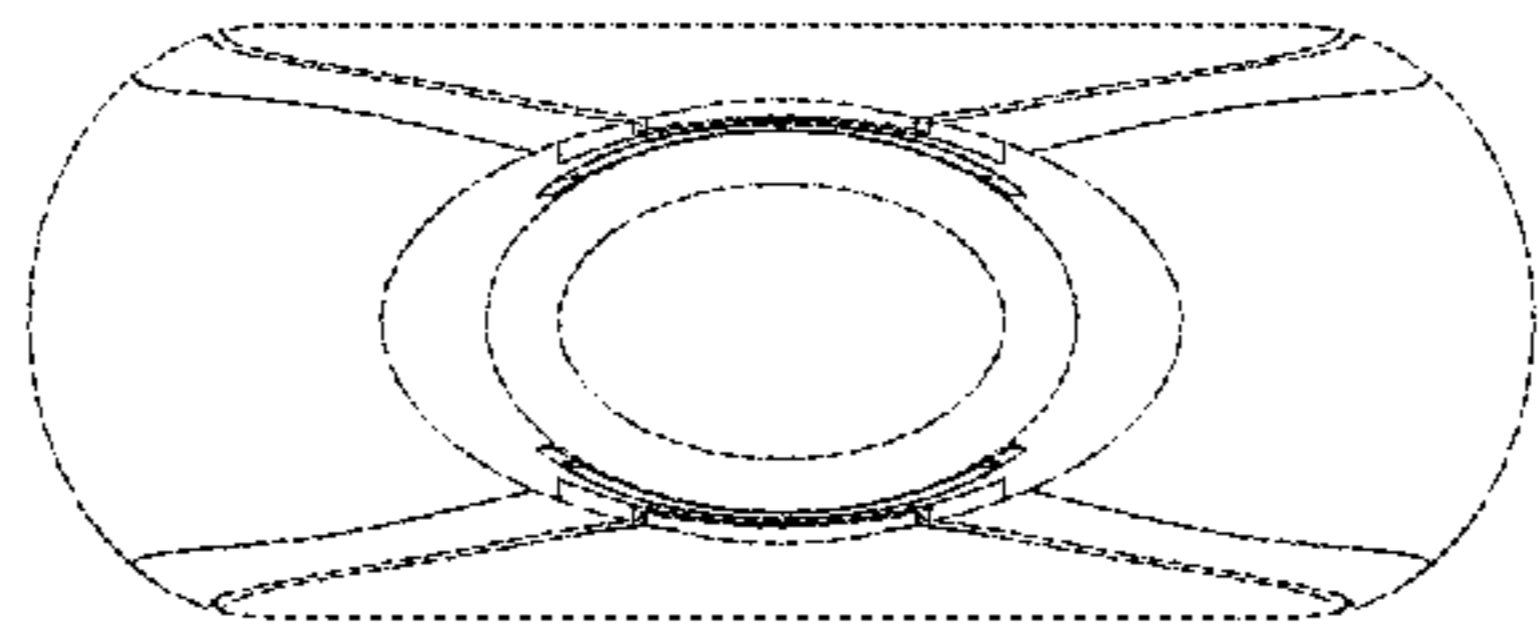


FIG.9

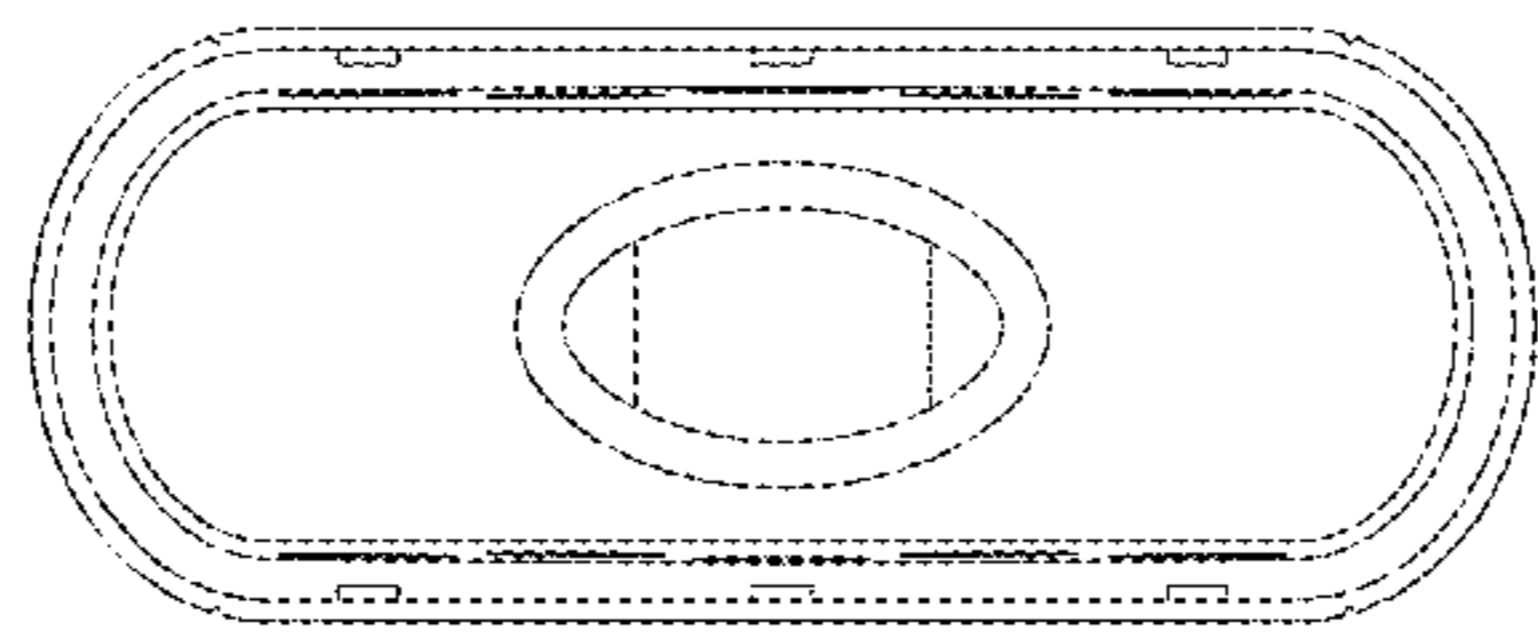


FIG.10

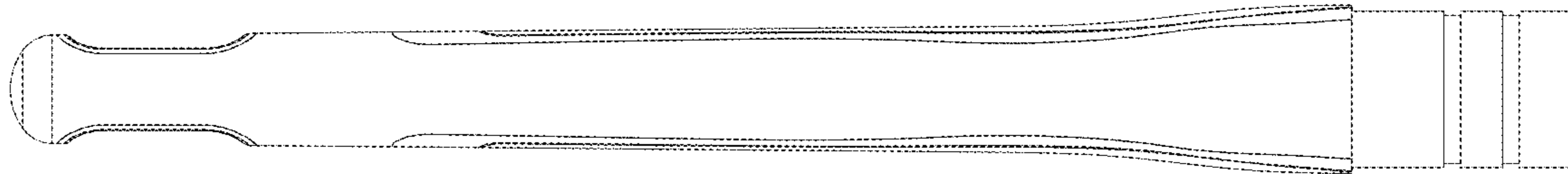


FIG.11

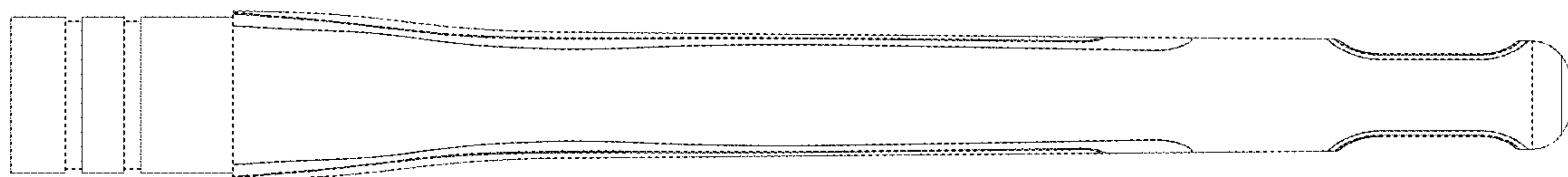


FIG.12

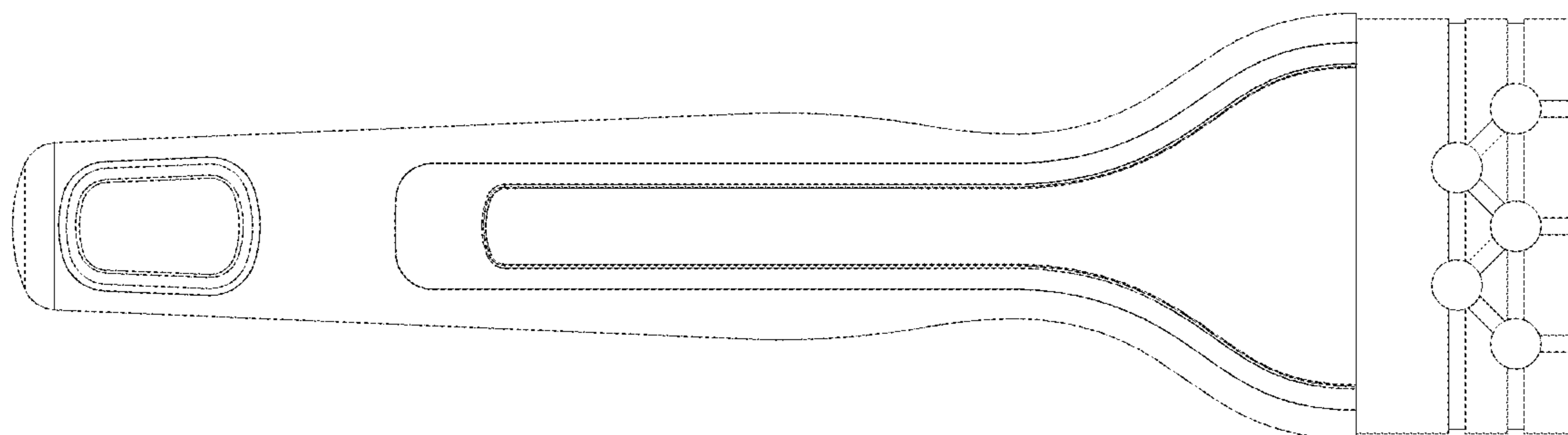


FIG.13

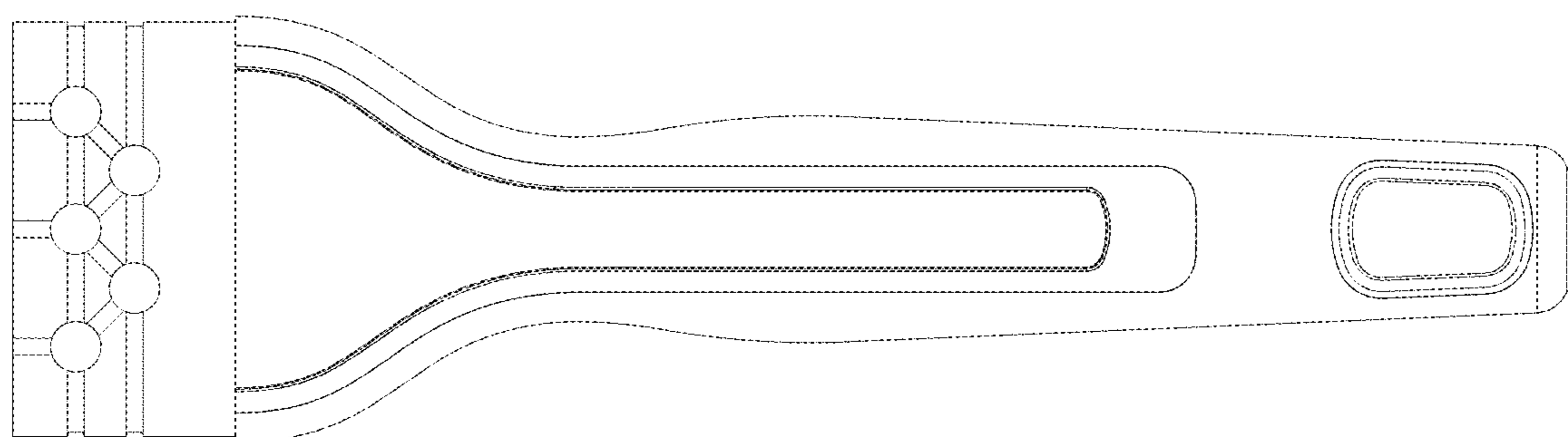


FIG.14

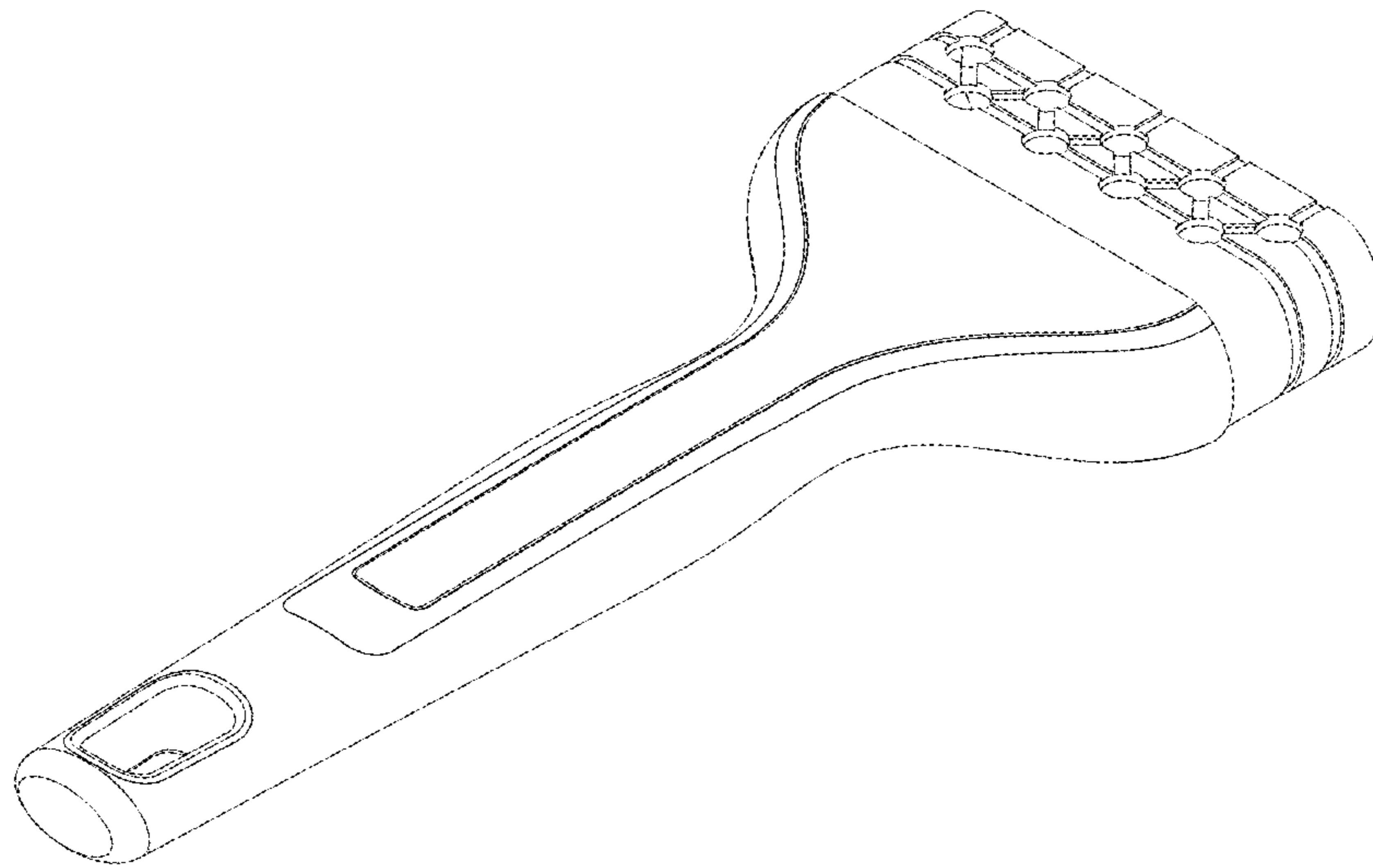


FIG.15

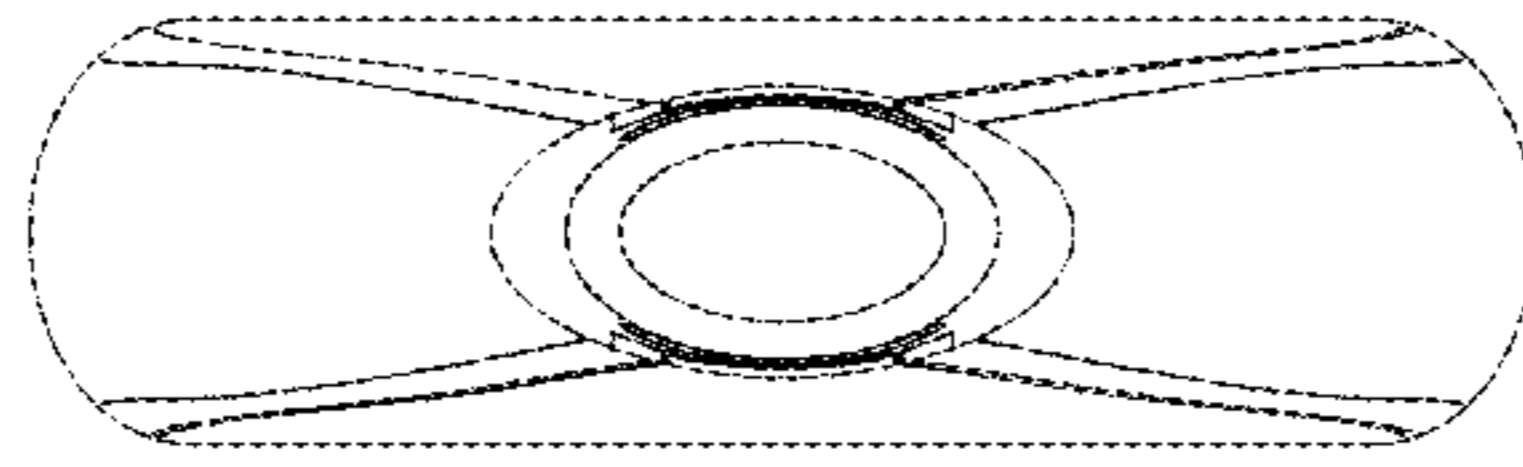


FIG.16

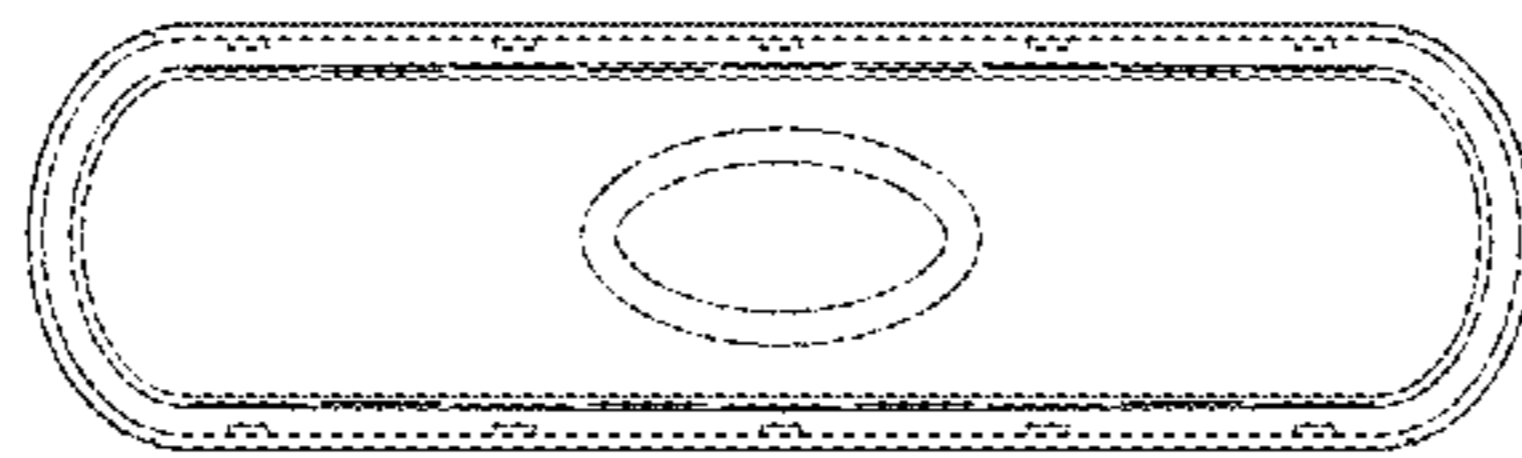


FIG.17

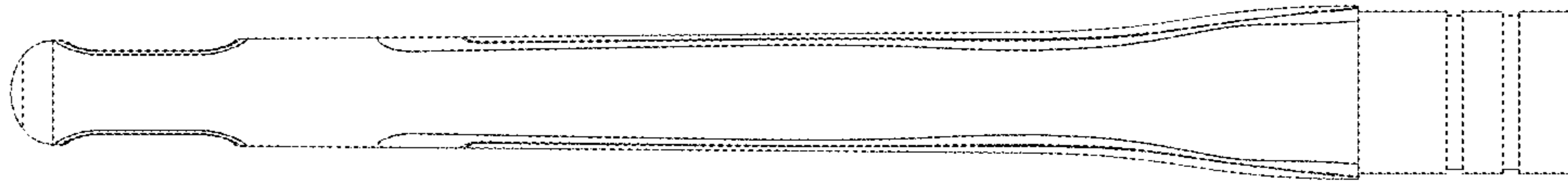


FIG.18

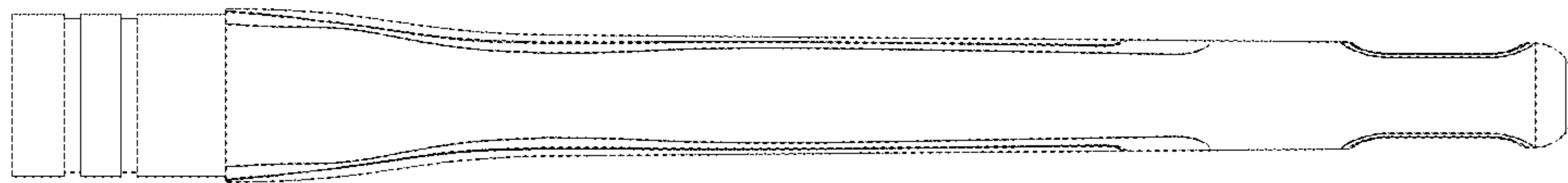


FIG.19

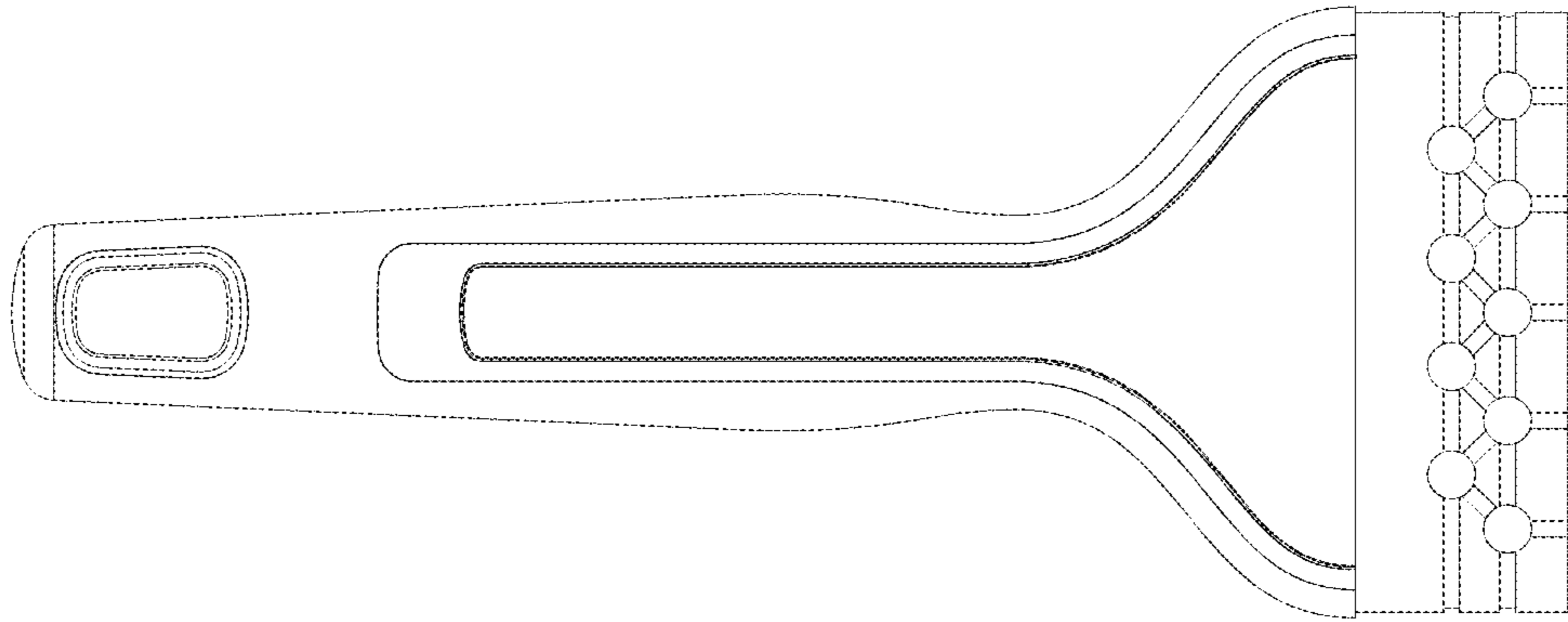


FIG.20

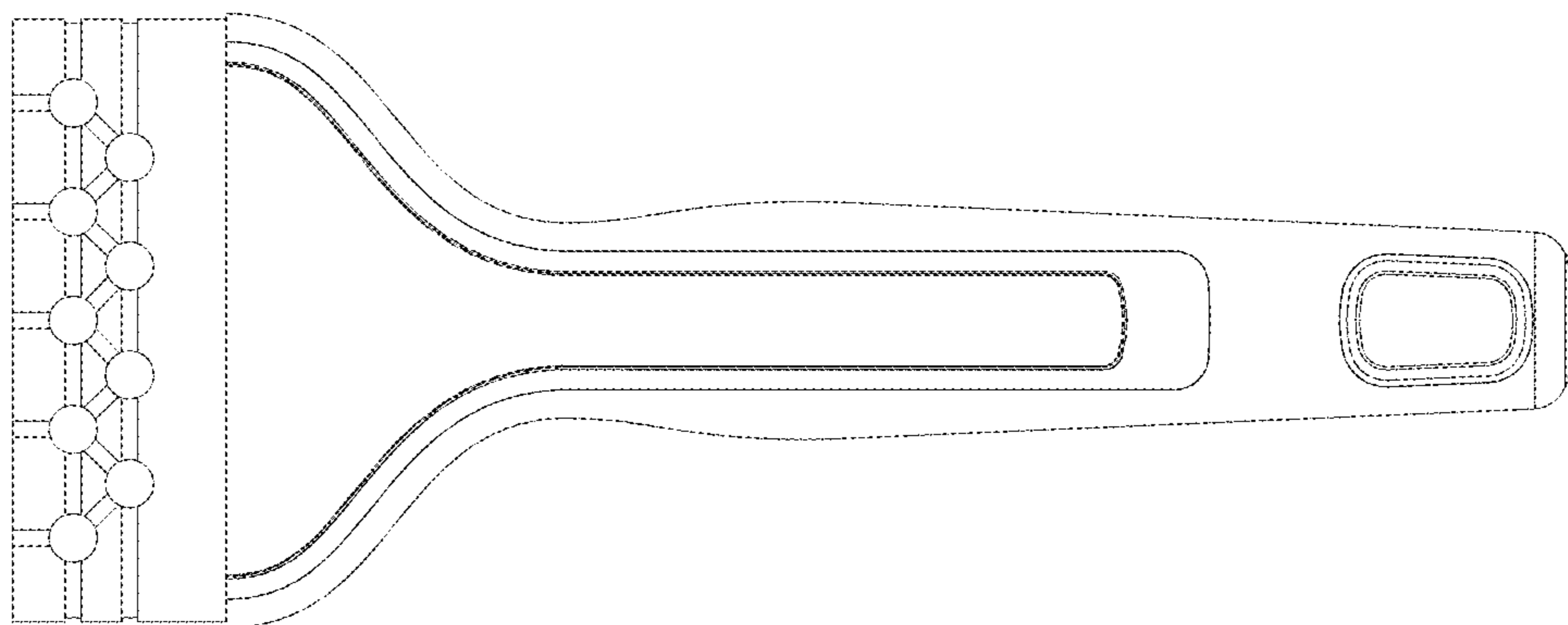


FIG.21