



US00D931616S

(12) **United States Design Patent**
Peng

(10) **Patent No.:** **US D931,616 S**

(45) **Date of Patent:** **** Sep. 28, 2021**

(54) **FACIAL CLEANSING BRUSH**

(71) Applicant: **AnGuo Peng**, Shenzhen (CN)

(72) Inventor: **AnGuo Peng**, Shenzhen (CN)

(**) Term: **15 Years**

(21) Appl. No.: **29/748,943**

(22) Filed: **Sep. 2, 2020**

(51) **LOC (13) Cl.** **28-03**

(52) **U.S. Cl.**
USPC **D4/102**

(58) **Field of Classification Search**
USPC D4/100, 102, 121, 127, 126, 128, 129,
D4/130, 132, 133, 134, 135, 136, 138,
D4/199; D24/211, 214, 215; D30/158,
D30/159, 160; D32/35
CPC A46B 2200/1006; A46B 2200/102; A46B
2200/10

See application file for complete search history.

(56) **References Cited**

U.S. PATENT DOCUMENTS

D548,341 S *	8/2007	Ohta	D24/133
D715,555 S *	10/2014	Hosler	D4/102
D720,933 S *	1/2015	Albers	D4/120
D728,242 S *	5/2015	Kim	D4/102
D753,400 S *	4/2016	Khoun	D4/102
D781,588 S *	3/2017	Lee	D4/102
D844,996 S *	4/2019	Kymm	D4/102

D862,717 S *	10/2019	Khubani	D24/200
D873,569 S *	1/2020	Nichols	D4/102
10,531,729 B1 *	1/2020	Liu	A46B 5/0095
D884,356 S *	5/2020	Jung	D4/102
D895,825 S *	9/2020	Jin	D24/214
D909,563 S *	2/2021	Hou	D24/108

FOREIGN PATENT DOCUMENTS

CN	305095043	*	4/2019
EM	008153829-0001	*	9/2020

* cited by examiner

Primary Examiner — Karen E Eldridge Powers

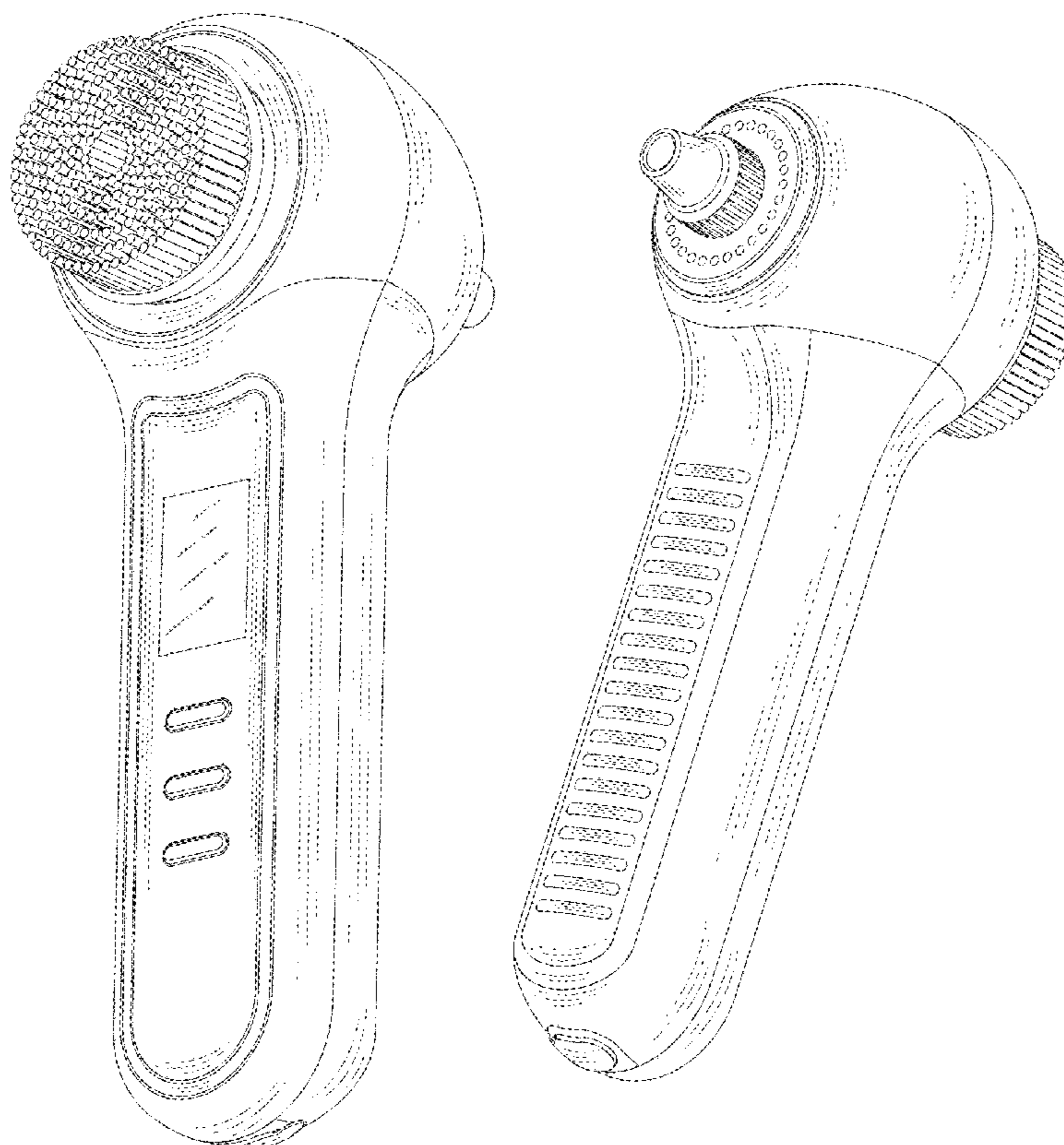
(57) **CLAIM**

The ornamental design for a facial cleansing brush, as shown and described.

DESCRIPTION

FIG. 1 is a front perspective view of a facial cleansing brush showing my new design;
FIG. 2 is a rear perspective view thereof;
FIG. 3 is a front elevation view thereof;
FIG. 4 is a rear elevation view thereof;
FIG. 5 is a left side elevation view thereof;
FIG. 6 is a right side elevation view thereof;
FIG. 7 is a top plan view thereof; and,
FIG. 8 is a bottom plan view thereof.

1 Claim, 8 Drawing Sheets



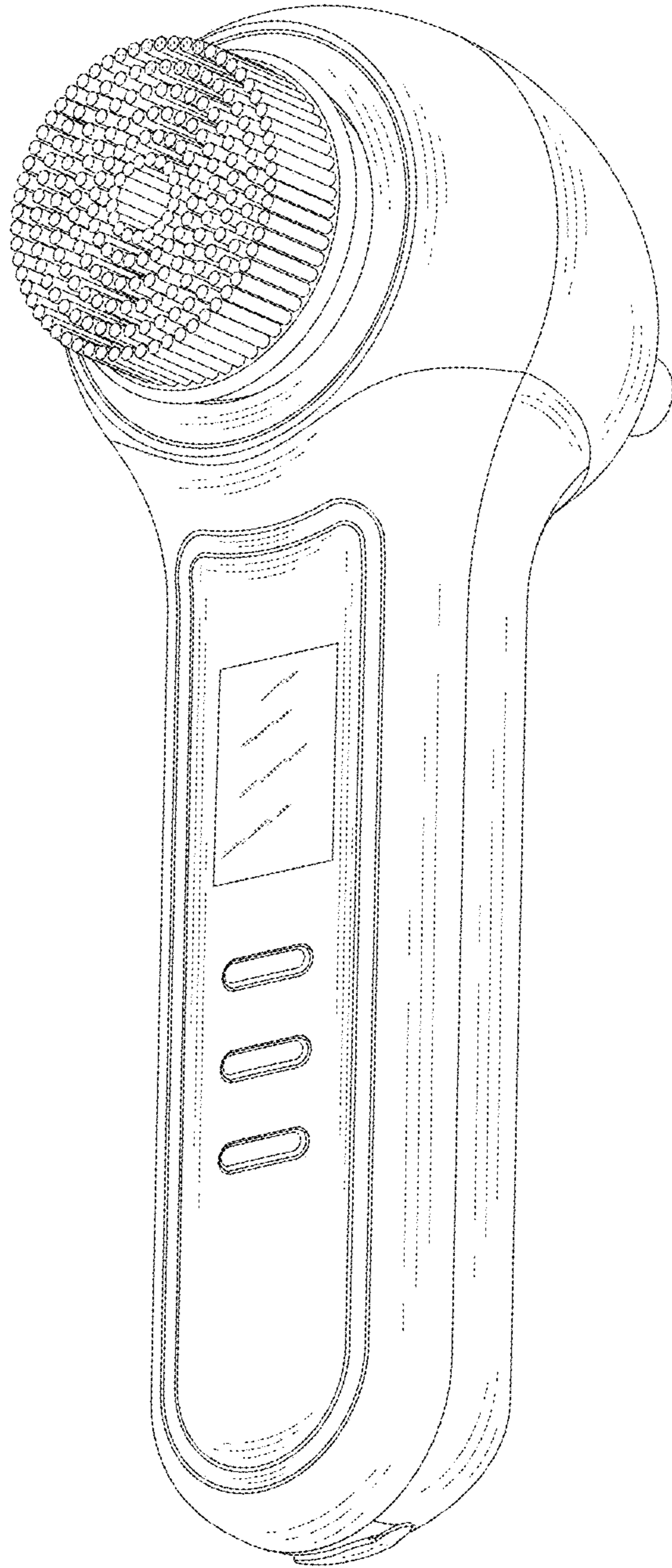


FIG.1

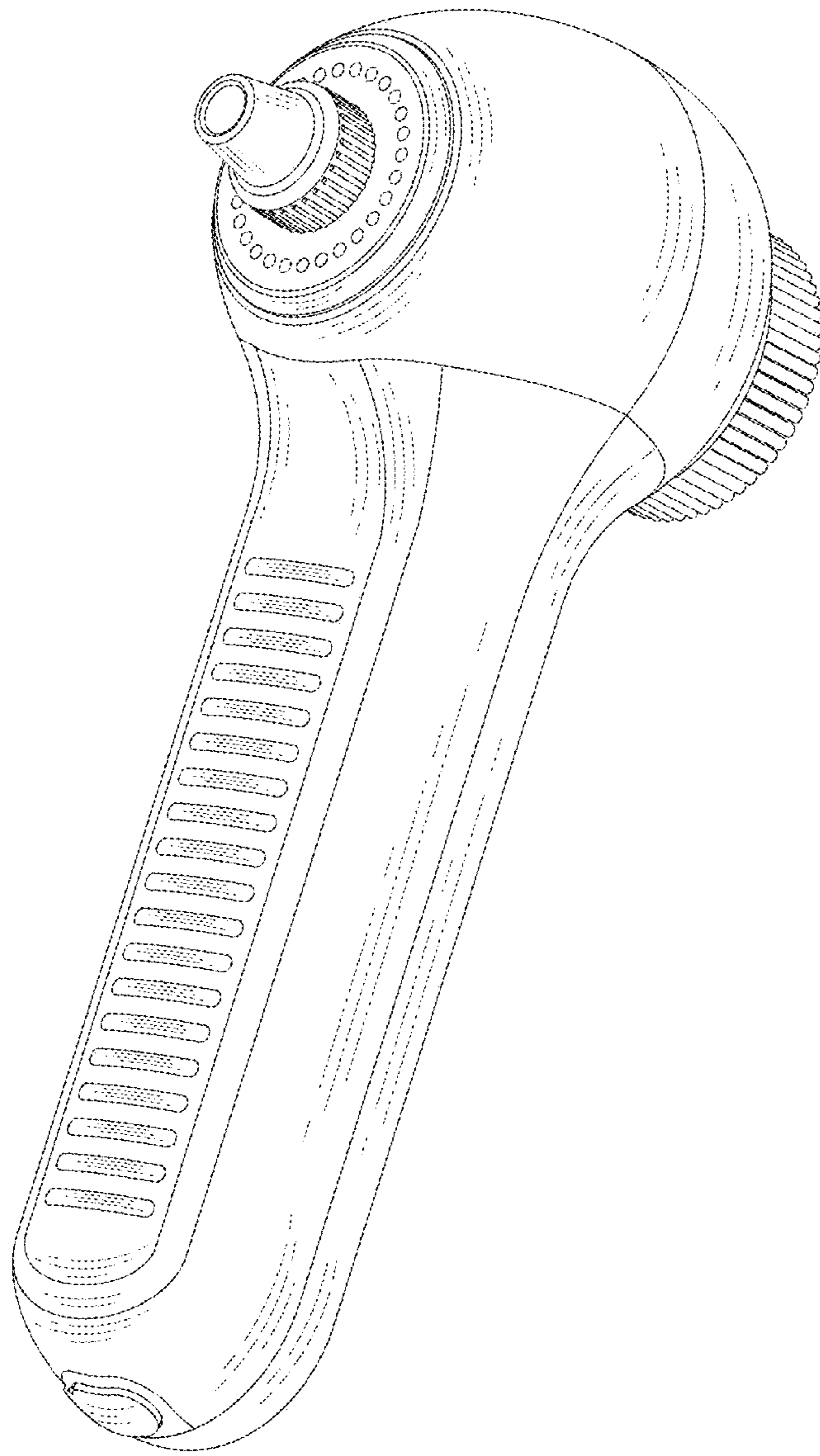


FIG.2

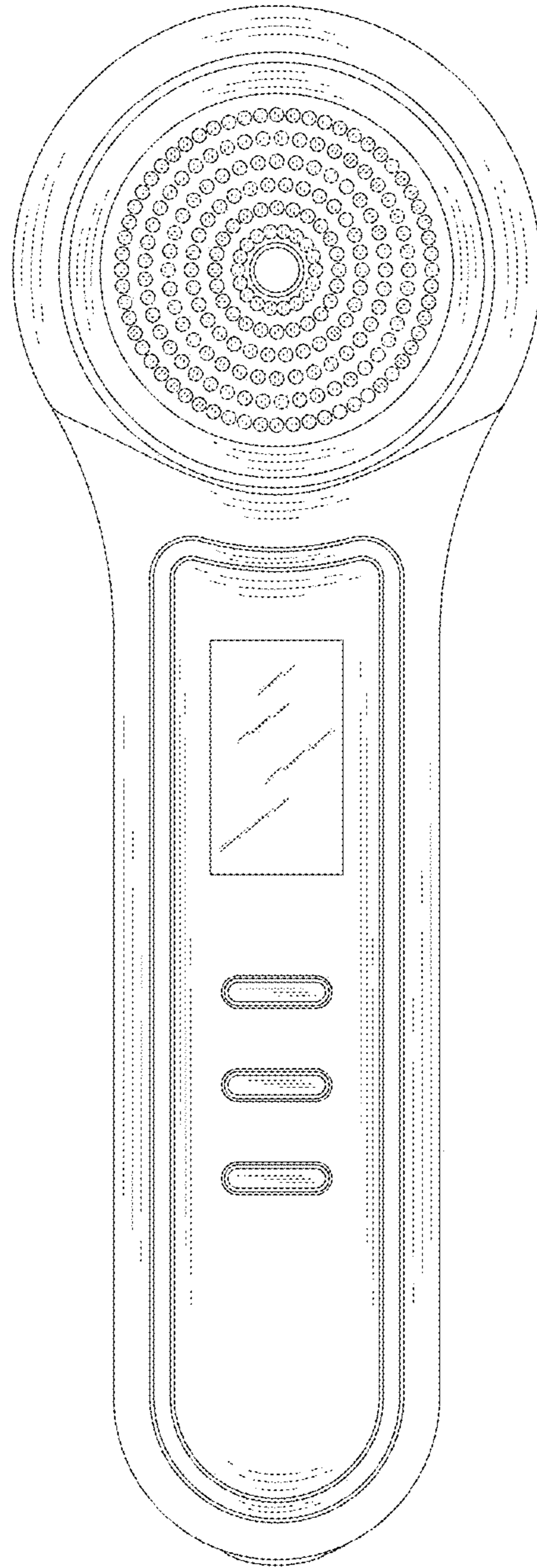


FIG.3

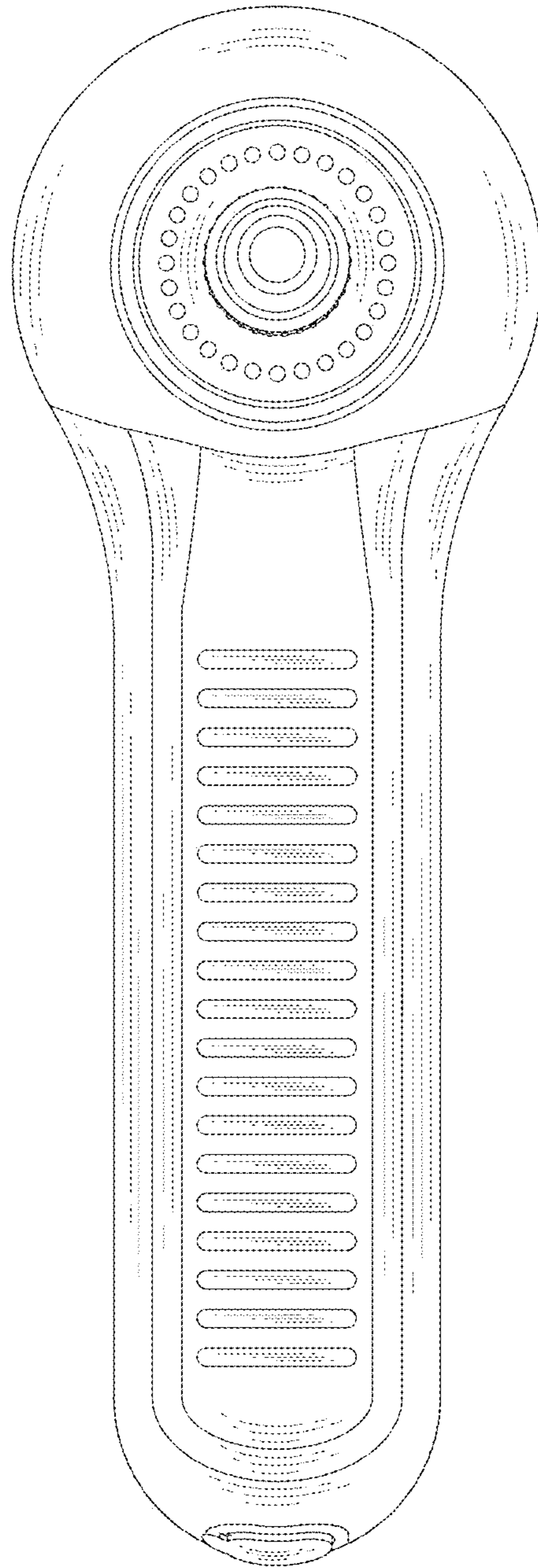


FIG.4

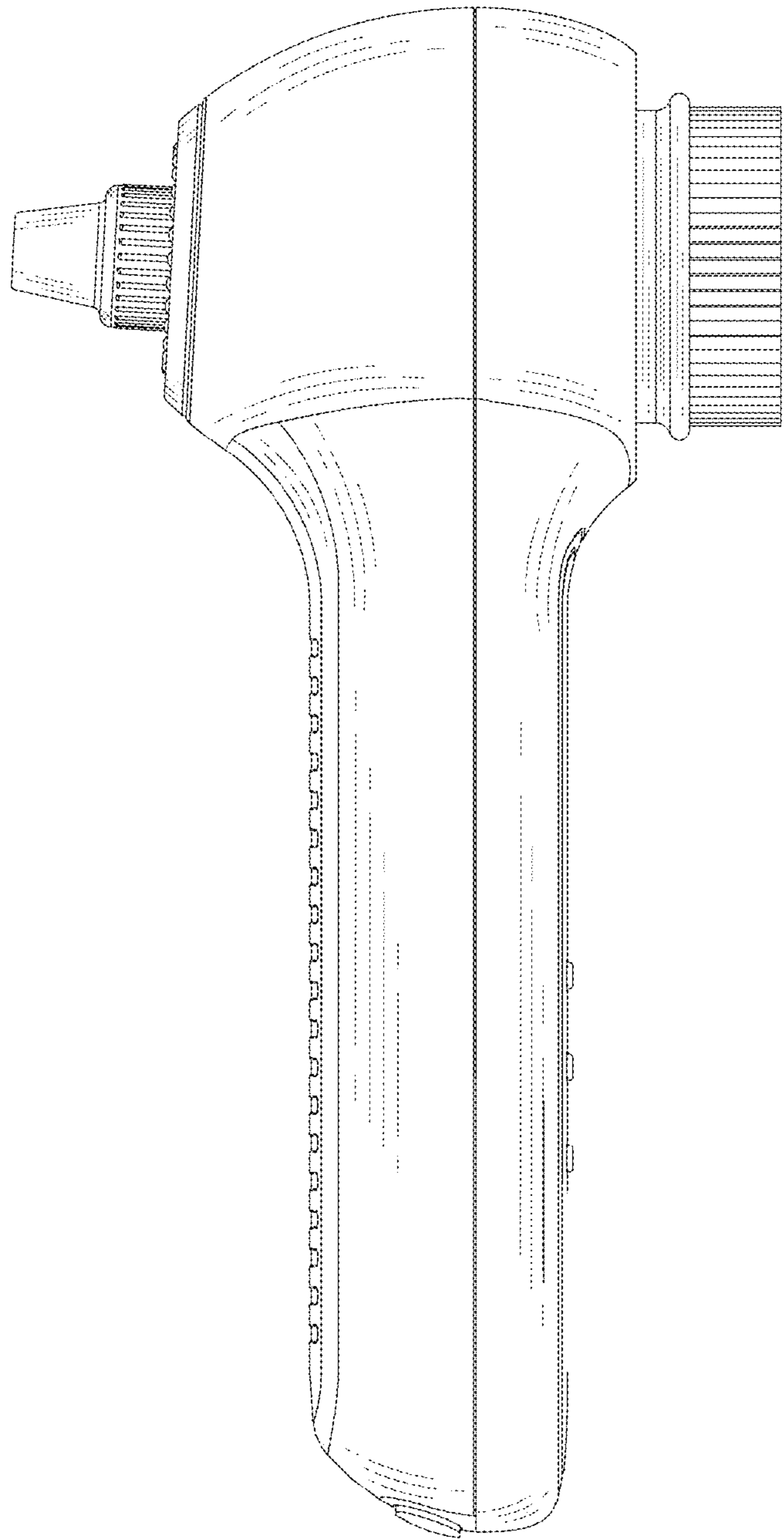


FIG.5

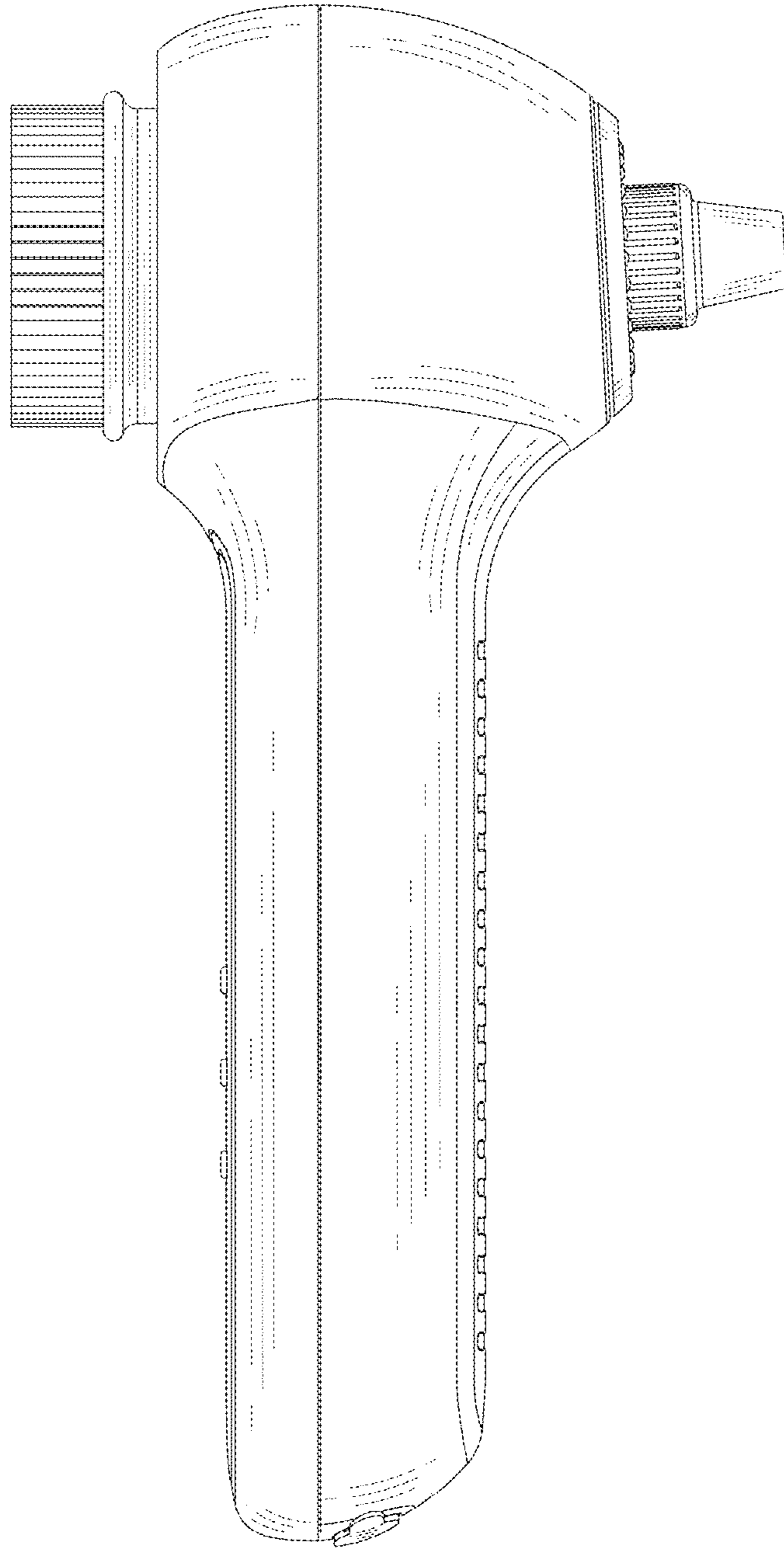


FIG.6

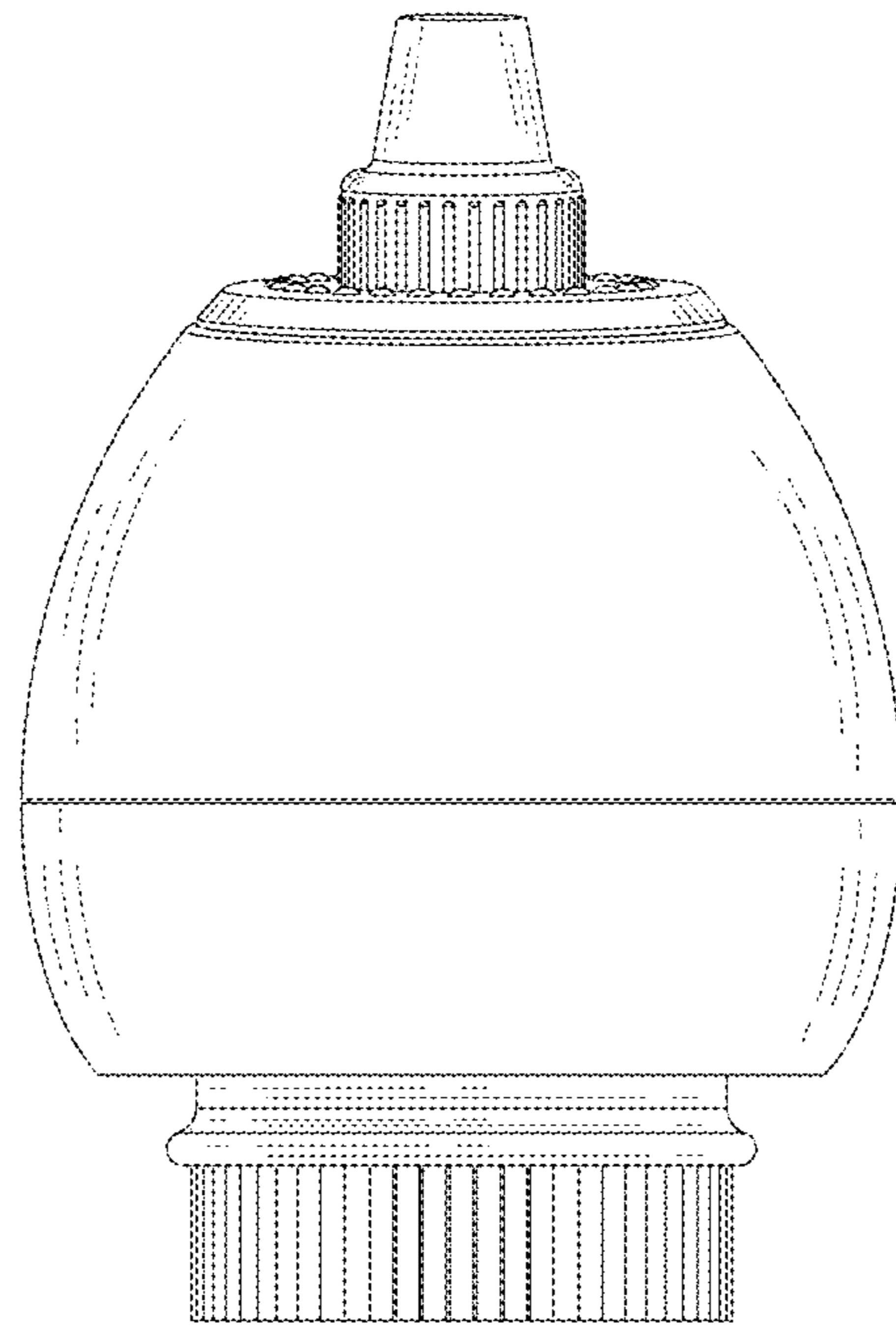


FIG. 7

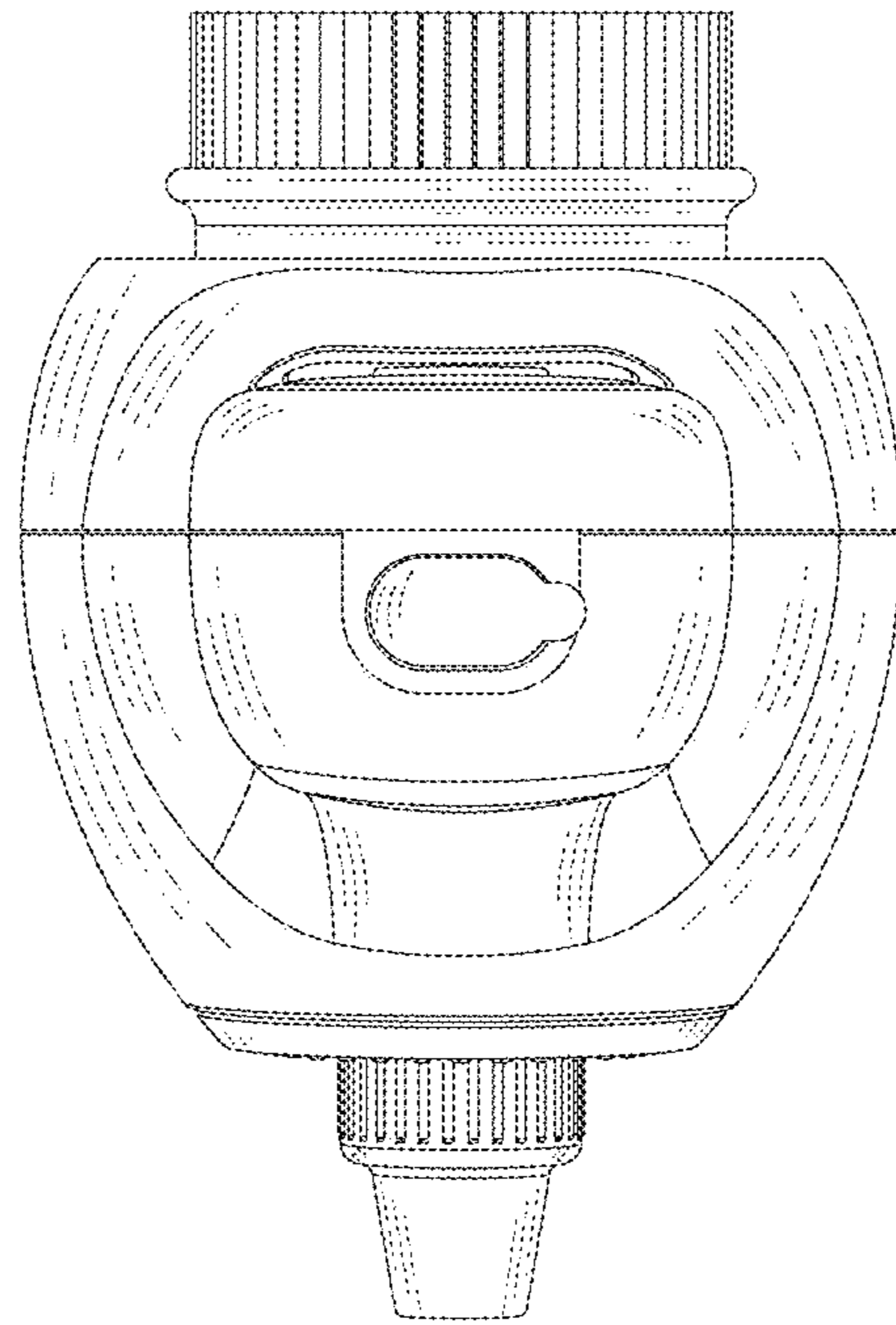


FIG. 8