



US00D931615S

(12) **United States Design Patent**
Huang

(10) **Patent No.:** **US D931,615 S**

(45) **Date of Patent:** **** Sep. 28, 2021**

(54) **ELECTRIC TOOTHBRUSH HEAD**

(71) Applicant: **Jiang Huang**, Guangdong (CN)

(72) Inventor: **Jiang Huang**, Guangdong (CN)

(**) Term: **15 Years**

(21) Appl. No.: **29/764,621**

(22) Filed: **Dec. 31, 2020**

(51) **LOC (13) Cl.** **28-03**

(52) **U.S. Cl.**
USPC **D4/101**

(58) **Field of Classification Search**
USPC D4/100, 101, 102, 104, 105, 106, 107,
D4/108, 109, 110, 111, 112, 113, 114,
D4/115, 116, 17, 118, 119, 120, 121, 127,
D4/128, 129, 130, 131, 132, 133, 134,
D4/135, 136, 137, 138, 199; D30/158
CPC A46B 2200/1066; A46B 5/02; A46B 9/04;
A46B 2200/1073; A46B 2200/1086;
A61C 17/22

See application file for complete search history.

(56) **References Cited**

U.S. PATENT DOCUMENTS

- D402,117 S * 12/1998 Fleming D4/104
- 5,862,559 A * 1/1999 Hunter A61C 19/043
15/28
- D422,143 S * 4/2000 Beals D4/104
- D424,808 S * 5/2000 Beals D4/104
- D425,306 S * 5/2000 Beals D4/104
- D451,678 S * 12/2001 Weihrauch D4/104
- 6,496,999 B1 * 12/2002 Gleason A46B 9/045
15/167.1
- D657,565 S * 4/2012 Gebski D4/101

- D759,383 S * 6/2016 Watkins D4/101
- 9,456,680 B2 * 10/2016 Corbett A46B 5/021
- D861,352 S * 10/2019 Xu D4/101
- D863,773 S 10/2019 Hu

FOREIGN PATENT DOCUMENTS

EM 007755343-0002 * 3/2020

* cited by examiner

Primary Examiner — Karen E Eldridge Powers

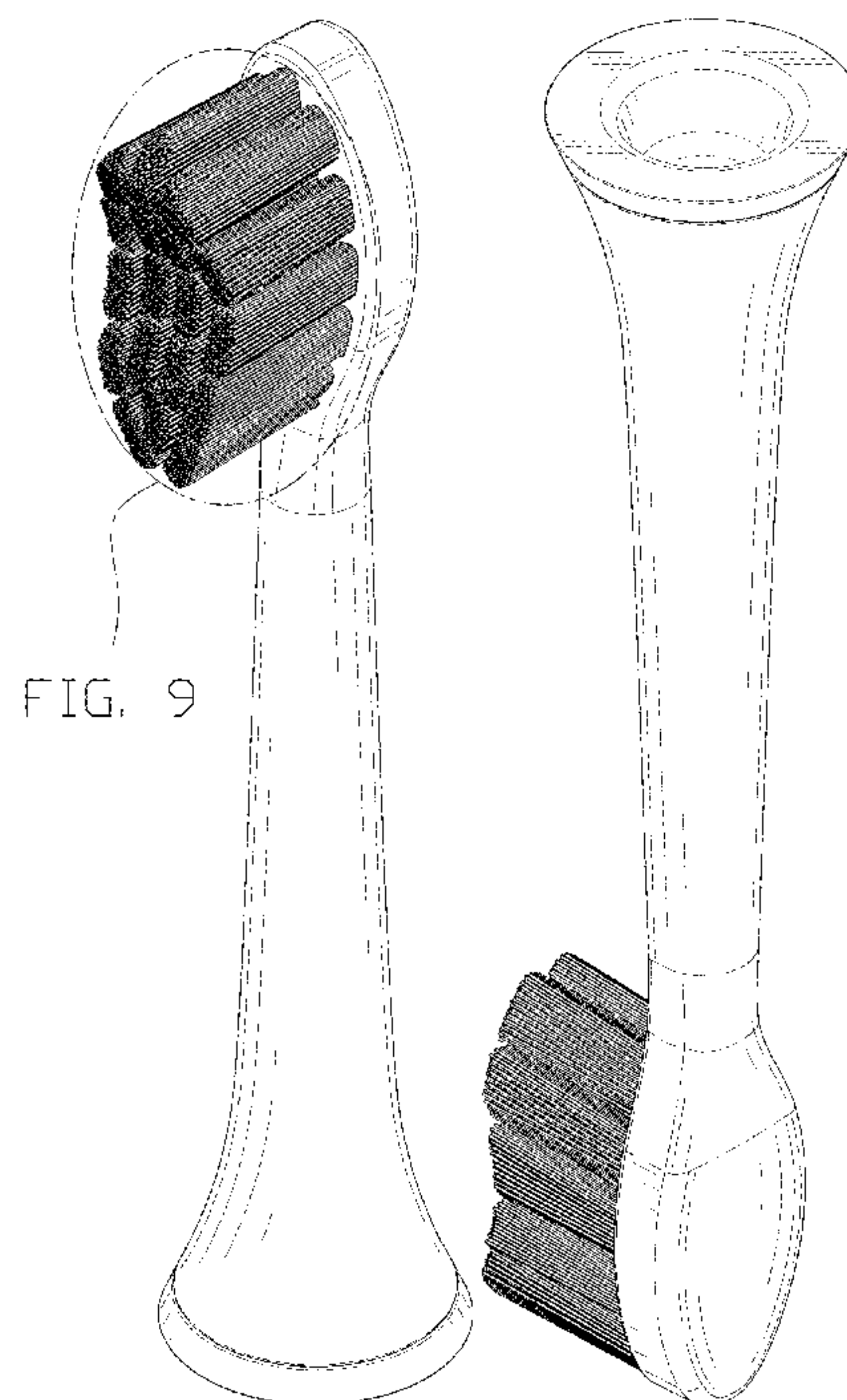
(57) **CLAIM**

The ornamental design for an electric toothbrush head, as shown and described.

DESCRIPTION

FIG. 1 is a front and top perspective view of an electric toothbrush head, showing my new design;
 FIG. 2 is a rear and bottom perspective view thereof;
 FIG. 3 is a front elevational view thereof;
 FIG. 4 is a rear elevational view thereof;
 FIG. 5 is a left side elevational view thereof;
 FIG. 6 is a right side elevational view thereof;
 FIG. 7 is a top plan view thereof;
 FIG. 8 is a bottom plan view thereof;
 FIG. 9 is an enlarged view of the portion labeled, 'FIG. 9' in FIGS. 1; and,
 FIG. 10 is a perspective view of the electric toothbrush head, showing the electric toothbrush head covered with a lid.
 The dashed broken lines in the figures illustrate portions of the article that form no part of the claimed design. The dash dot dash lines in FIGS. 1 and 9 are for the purpose of depicting the cut line of the enlarged view and form no part of the claim.

1 Claim, 10 Drawing Sheets



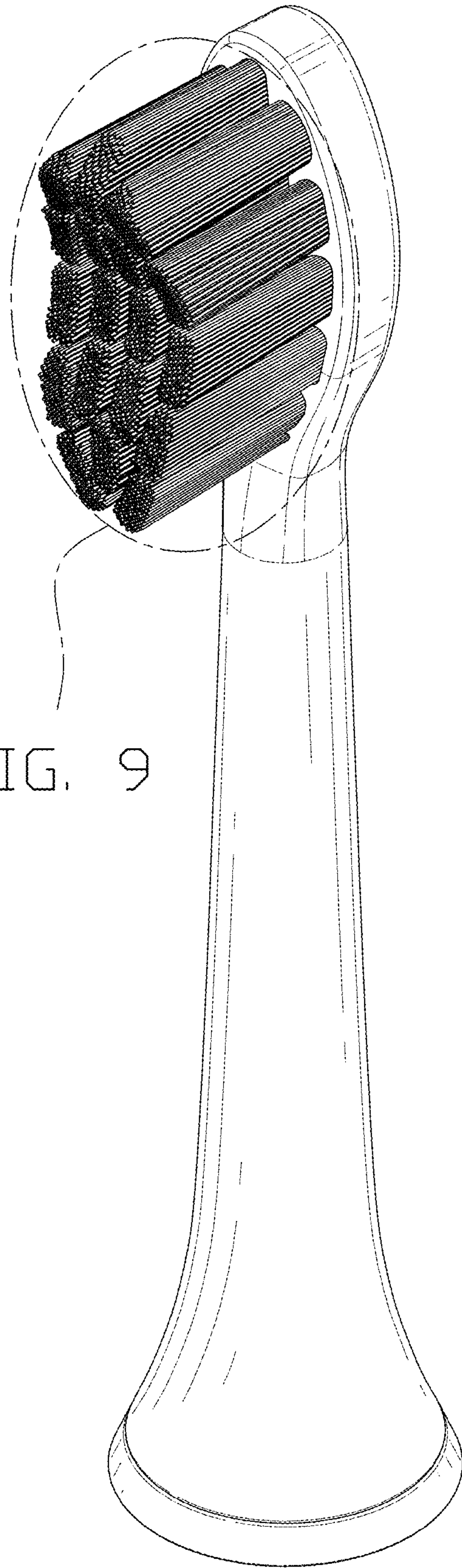


FIG. 9

FIG. 1

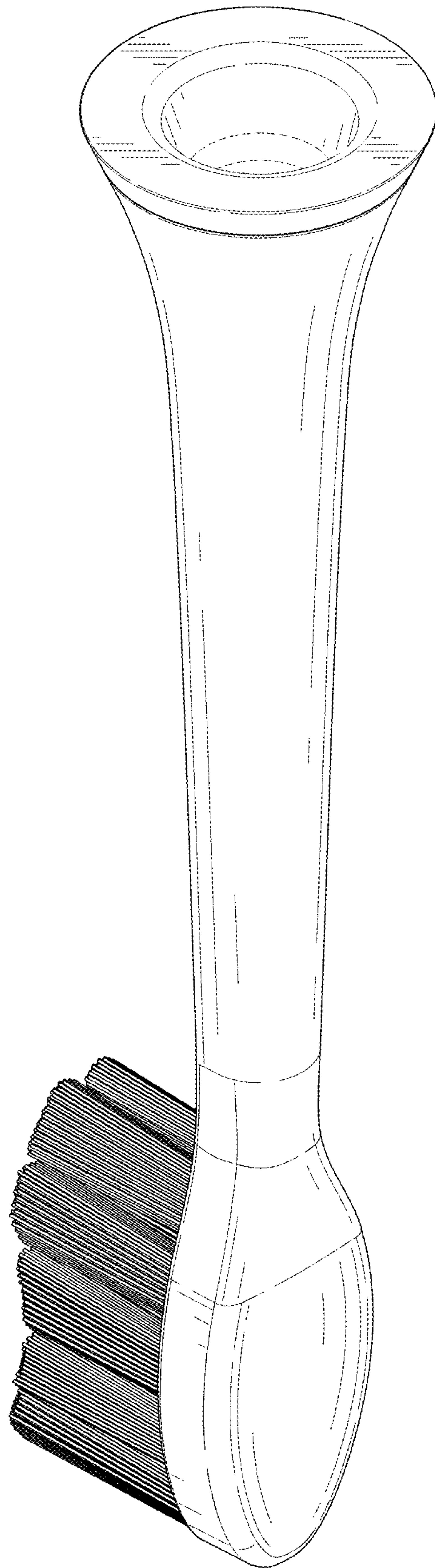


FIG. 2

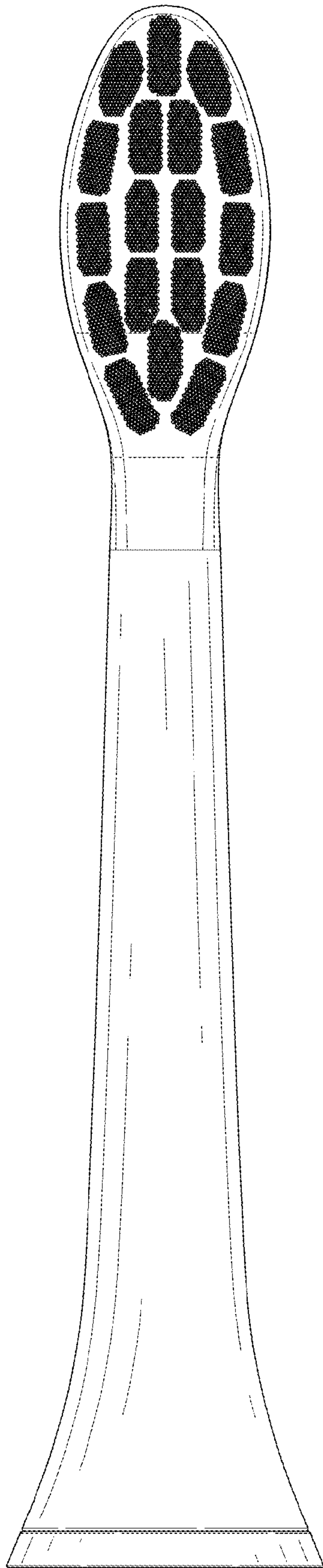


FIG. 3

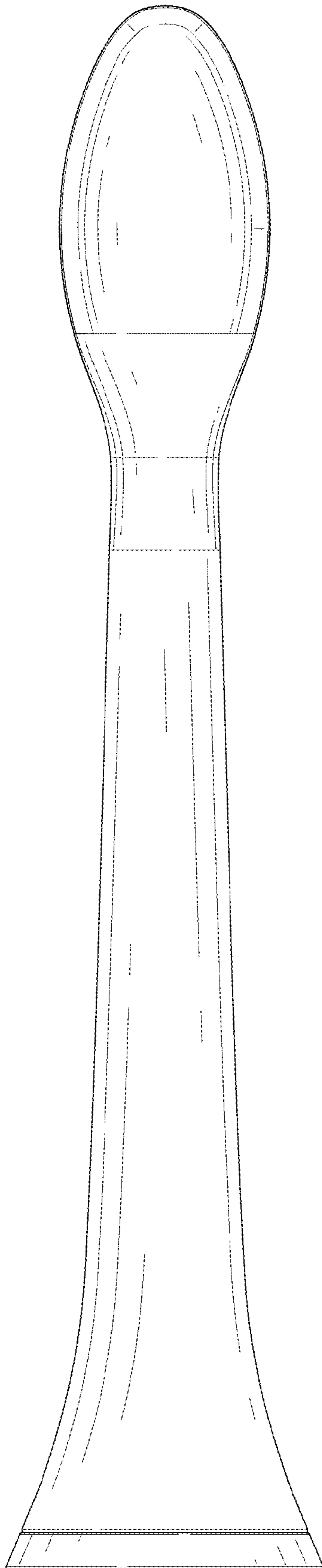


FIG. 4

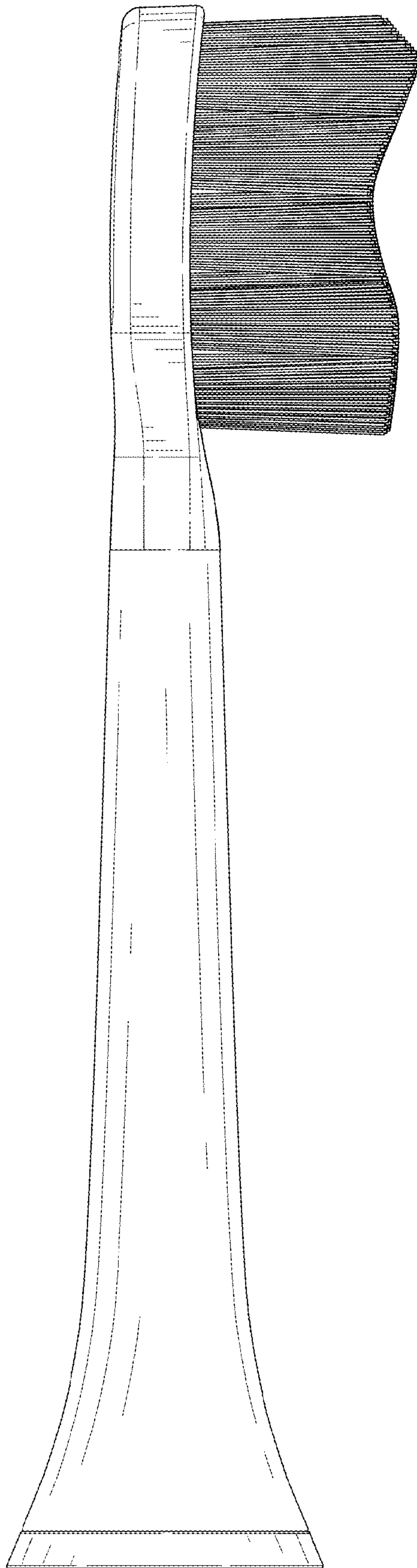


FIG. 5

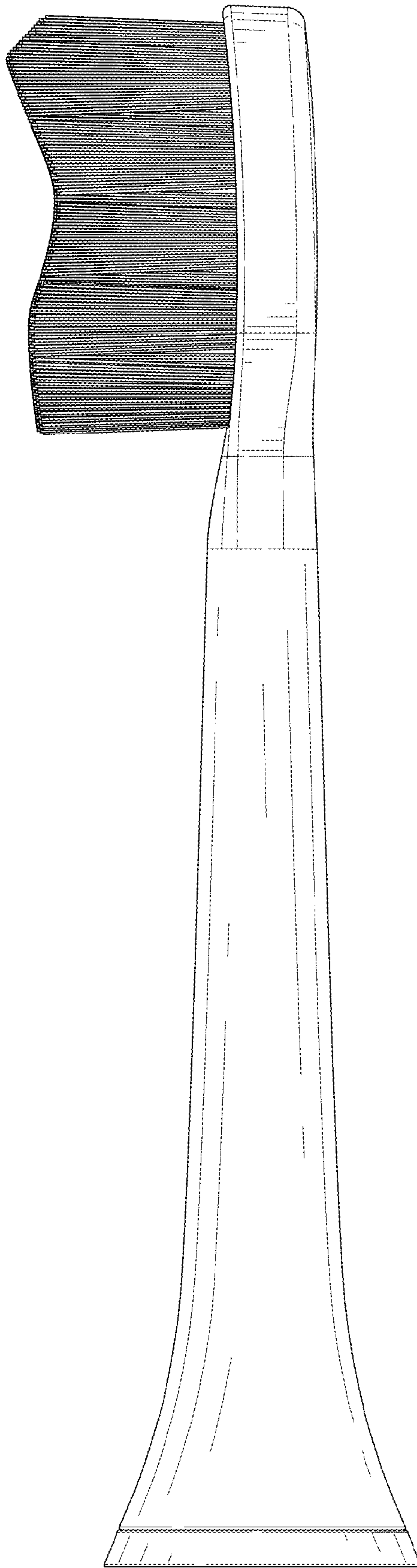


FIG. 6

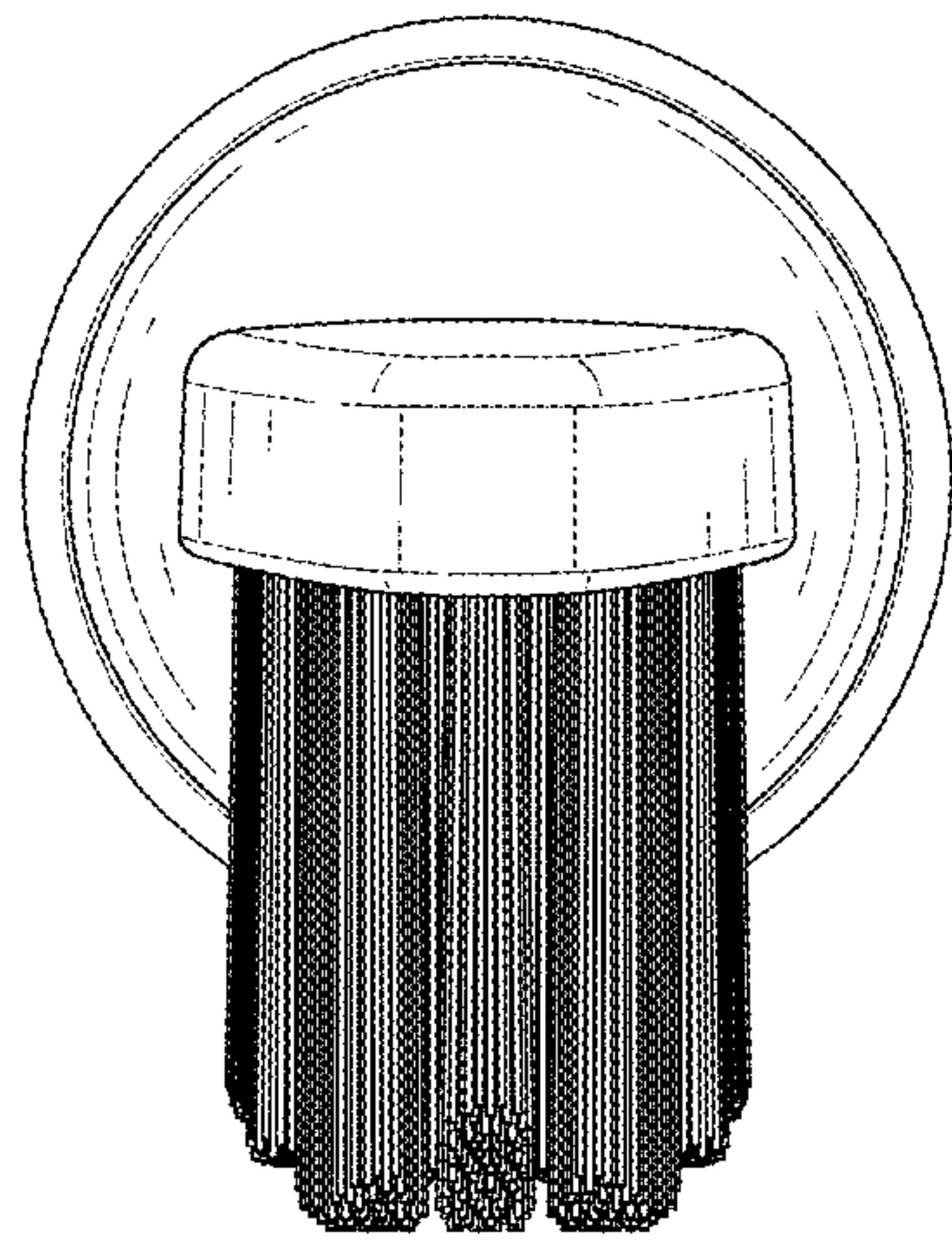


FIG. 7

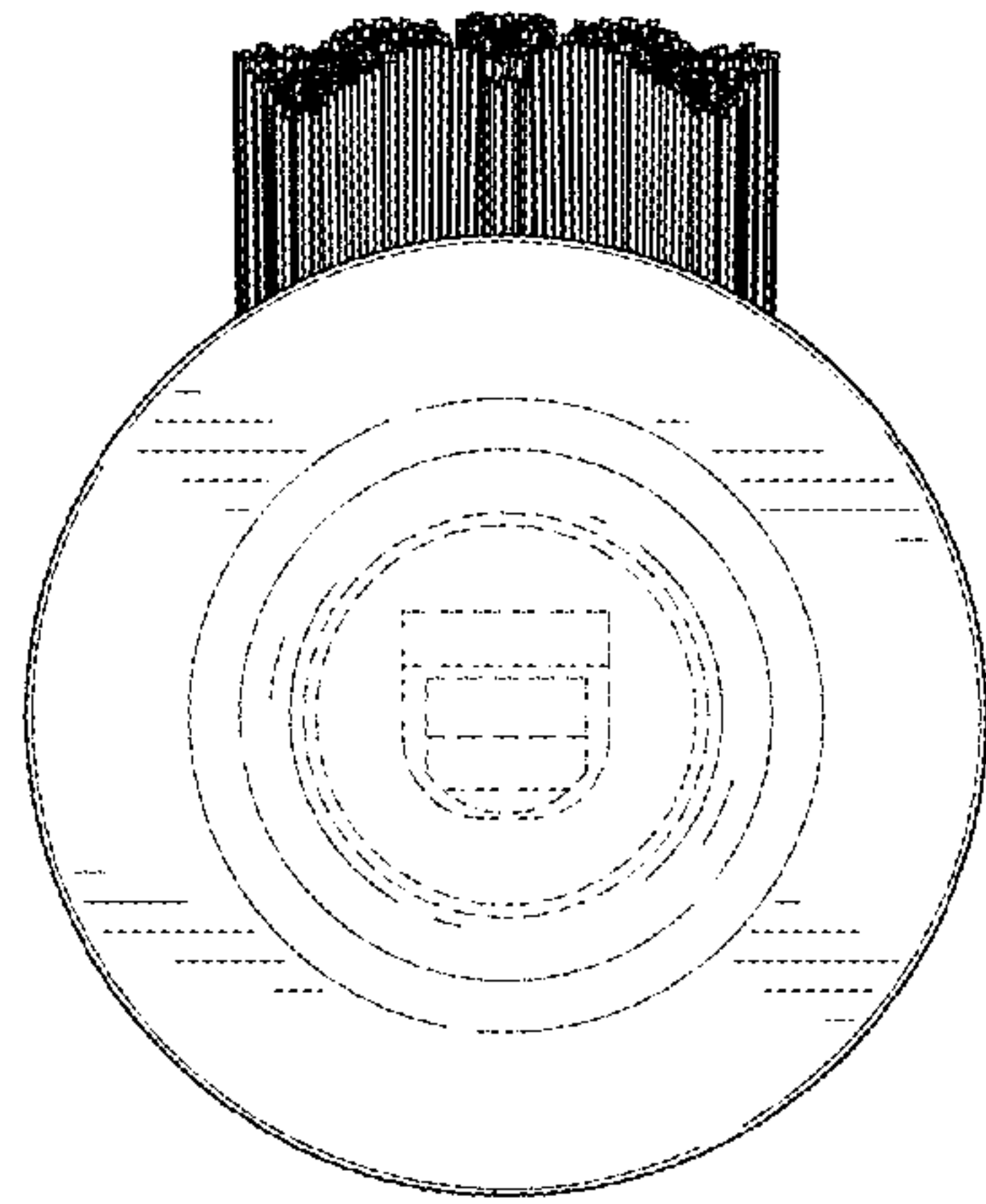


FIG. 8

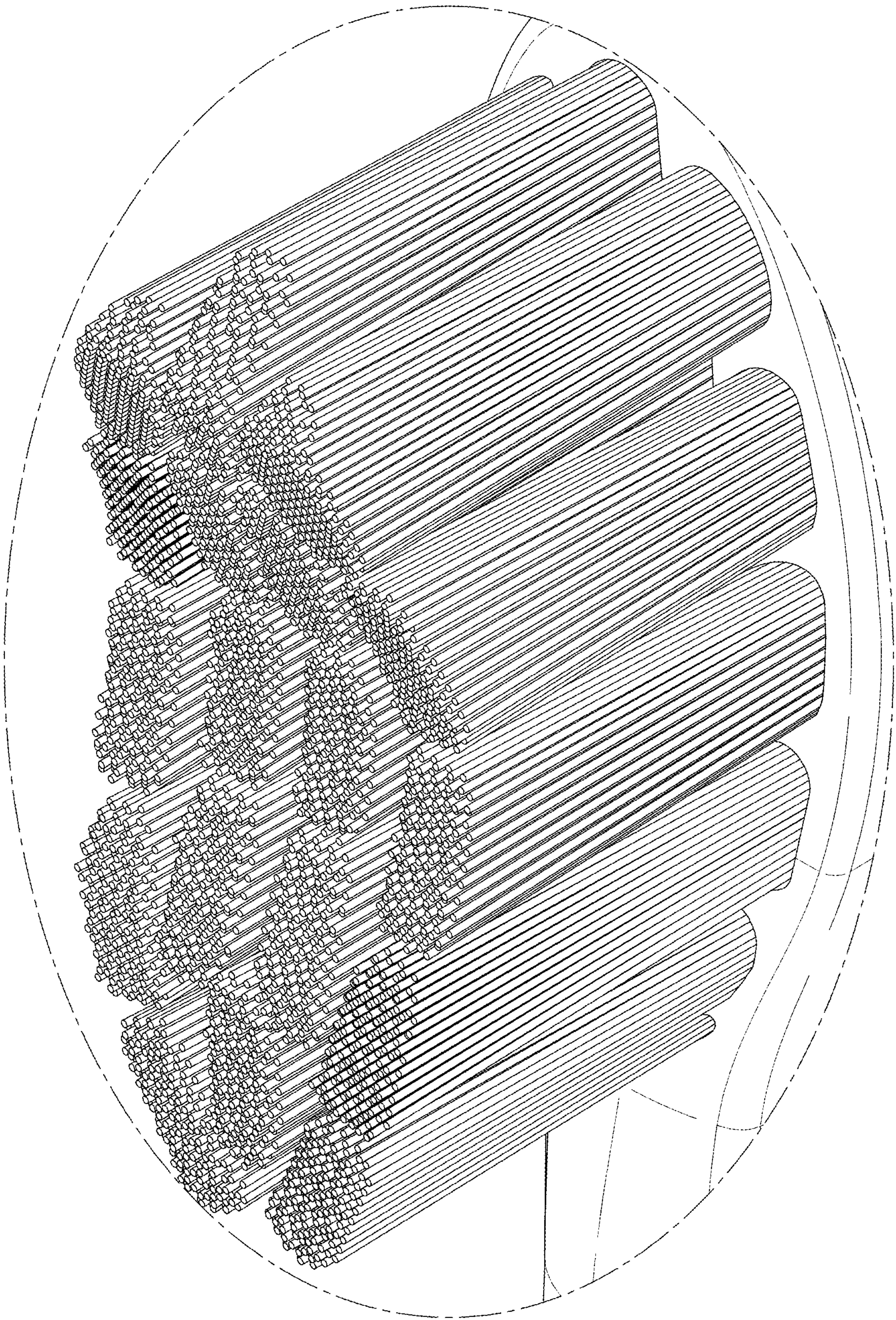


FIG. 9

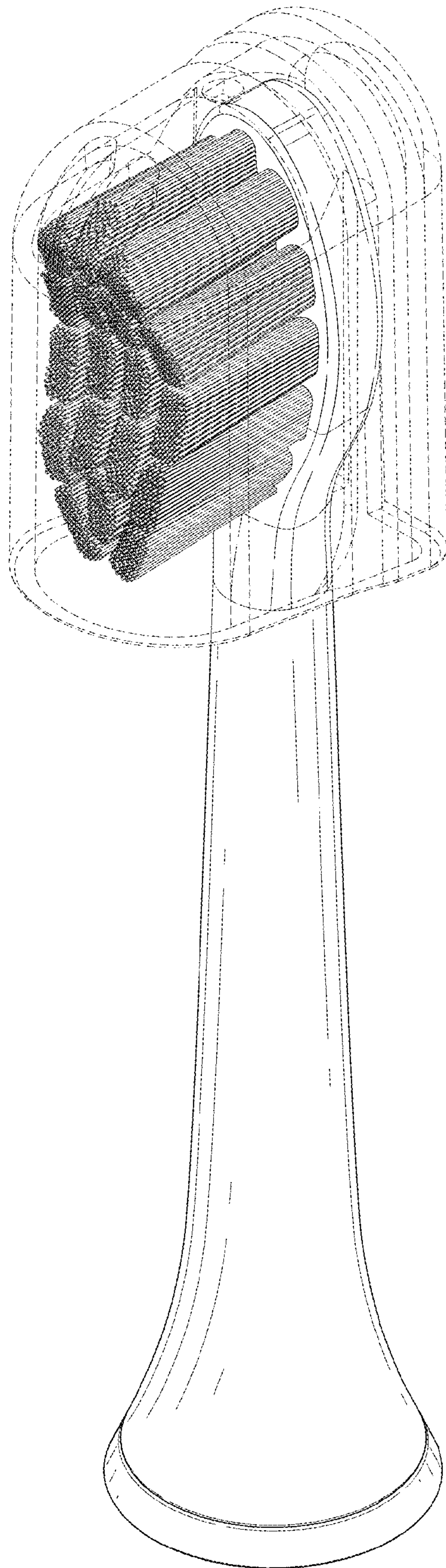


FIG. 10