



US00D931613S

(12) **United States Design Patent** (10) **Patent No.:** **US D931,613 S**
Schiller et al. (45) **Date of Patent:** **** *Sep. 28, 2021**

(54) **TAG-LOOP CARRIER ASSEMBLY**

(71) Applicant: **Bedford Industries, Inc.**, Worthington, MN (US)

(72) Inventors: **David Schiller**, Sioux Falls, SD (US);
Curtis John Heinrichs, Sibley, IA (US)

(73) Assignee: **Bedford Industries, Inc.**, Worthington, MN (US)

(*) Notice: This patent is subject to a terminal disclaimer.

(**) Term: **15 Years**

(21) Appl. No.: **29/698,662**

(22) Filed: **Jul. 18, 2019**

Related U.S. Application Data

(60) Division of application No. 29/643,705, filed on Apr. 11, 2018, now Pat. No. Des. 855,326, which is a division of application No. 29/569,353, filed on Jun. 27, 2016, now Pat. No. Des. 816,341, which is a division of application No. 29/542,306, filed on Oct. 13, 2015, now Pat. No. Des. 762,985, which is a continuation of application No. 29/496,818, filed on Jul. 17, 2014, now abandoned, which is a division of application No. 29/437,913, filed on Nov. 21, 2012, now Pat. No. Des. 712,154.

(51) **LOC (13) Cl.** **03-01**

(52) **U.S. Cl.**
USPC **D3/318**

(58) **Field of Classification Search**
USPC D3/318, 327-328
CPC A45F 3/14; A45F 3/04; A45F 3/16
See application file for complete search history.

(56) **References Cited**

U.S. PATENT DOCUMENTS

D532,049	S *	11/2006	Ludlow	D20/22
7,418,987	B2 *	9/2008	Duffy	A45C 1/06 150/136
7,836,622	B1 *	11/2010	King	G09F 3/14 40/665
D670,914	S *	11/2012	Price	D3/318
D723,621	S *	3/2015	Heinrichs	D20/22
D789,749	S *	6/2017	Tsai	D7/600.1
D816,341	S *	5/2018	Schiller	G09F 3/18 D3/328
D834,093	S *	11/2018	Fahsbender	D20/27
D838,780	S *	1/2019	Wass	D20/22
10,189,588	B2 *	1/2019	Milbrandt	B65D 63/109
D850,290	S *	6/2019	Jones	D9/751

(Continued)

Primary Examiner — Holly E Thurman

(74) *Attorney, Agent, or Firm* — James L. Young;
Westman, Champlin & Koehler, P.A.

(57) **CLAIM**

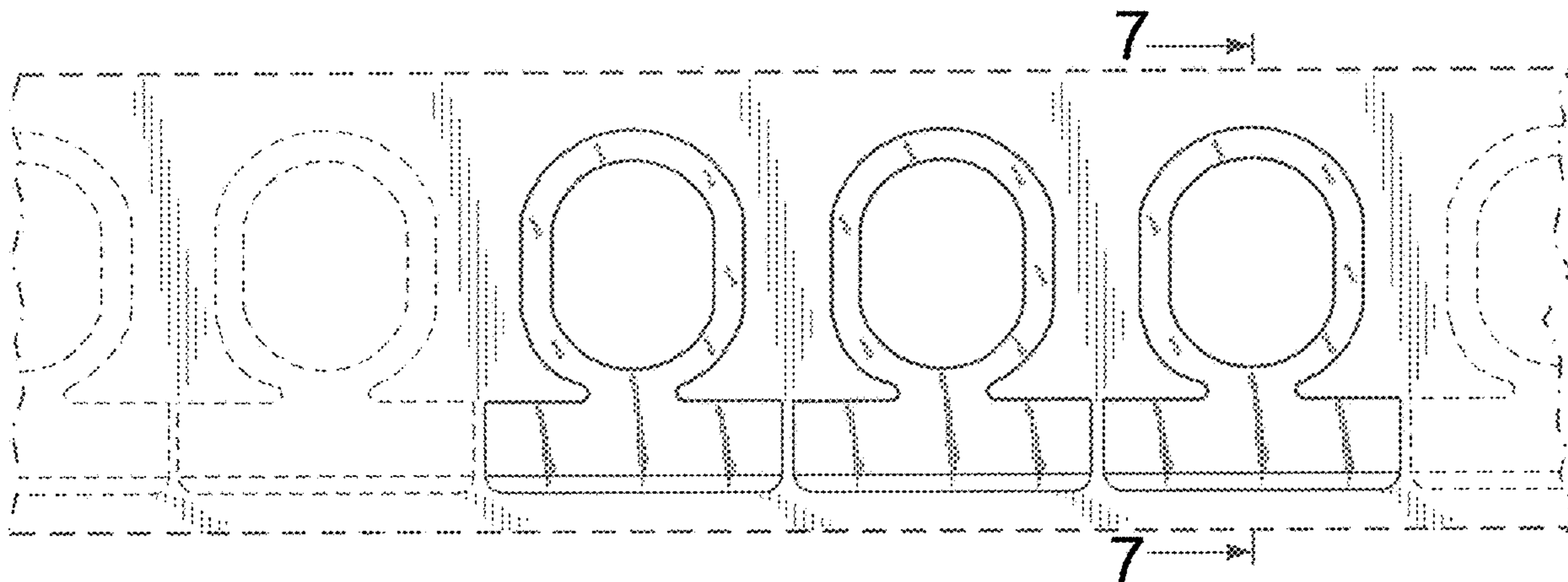
The ornamental design for a tag-loop carrier assembly, as shown and described.

DESCRIPTION

FIG. 1 is a front view thereof;
FIG. 2 is a back view thereof;
FIG. 3 is a top view thereof;
FIG. 4 is a bottom view thereof;
FIG. 5 is a side view thereof, as taken from the left side of FIG. 1;
FIG. 6 is a side view thereof; as taken from the right side of FIG. 1; and,
FIG. 7 is a sectional view as taken along lines 7-7 in FIG. 1.

The evenly spaced broken lines are for the purposes of illustrating portions of the carrier and form no part of the claimed design. The dot-dash-dot lines in the drawings indicate that any portion of the article beyond what is shown forms no part of the claimed design.

1 Claim, 2 Drawing Sheets



(56)

References Cited

U.S. PATENT DOCUMENTS

10,647,475	B2 *	5/2020	Milbrandt	B65D 23/14
10,723,532	B2 *	7/2020	Milbrandt	B65D 75/585
2003/0096076	A1 *	5/2003	Allison	C09J 7/20 428/43
2003/0150919	A1 *	8/2003	Blank	B42D 15/0073 235/487
2005/0138854	A1 *	6/2005	Simmons	G09F 23/0091 40/665
2005/0166439	A1 *	8/2005	Ludlow	G09F 3/14 40/665
2005/0173073	A1 *	8/2005	Chernoff	G09F 3/14 156/556
2005/0255277	A1 *	11/2005	Syron	B05B 12/24 428/43
2006/0086028	A1 *	4/2006	Vaughan	G09F 3/14 40/665
2006/0147668	A1 *	7/2006	Hirose	G09F 3/02 428/42.3
2006/0272185	A1 *	12/2006	Malama	B42D 1/10 40/124.01
2009/0188144	A1 *	7/2009	Ludlow	G09F 3/02 40/665
2012/0153109	A1 *	6/2012	Milbrandt	B65D 73/0071 248/224.8
2012/0244325	A1 *	9/2012	Maltas	G09F 3/0288 428/189

* cited by examiner

FIG. 3

FIG. 1

FIG. 5

FIG. 6

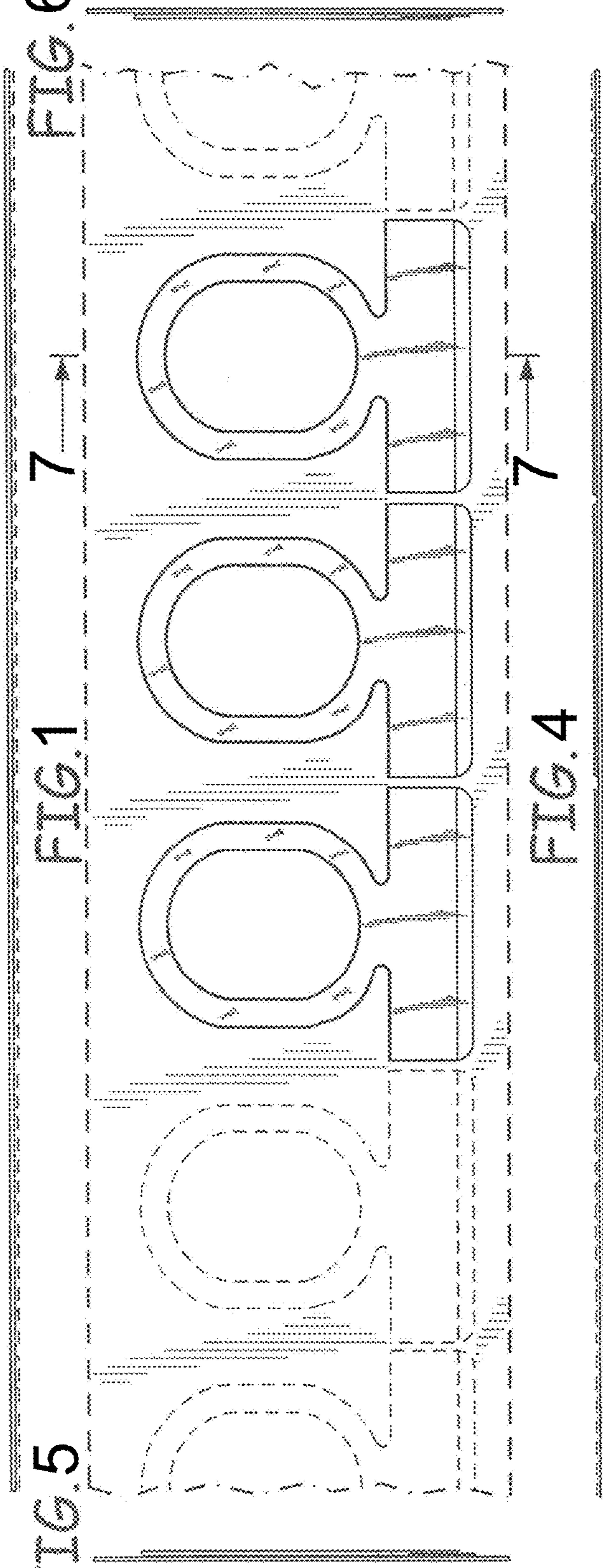
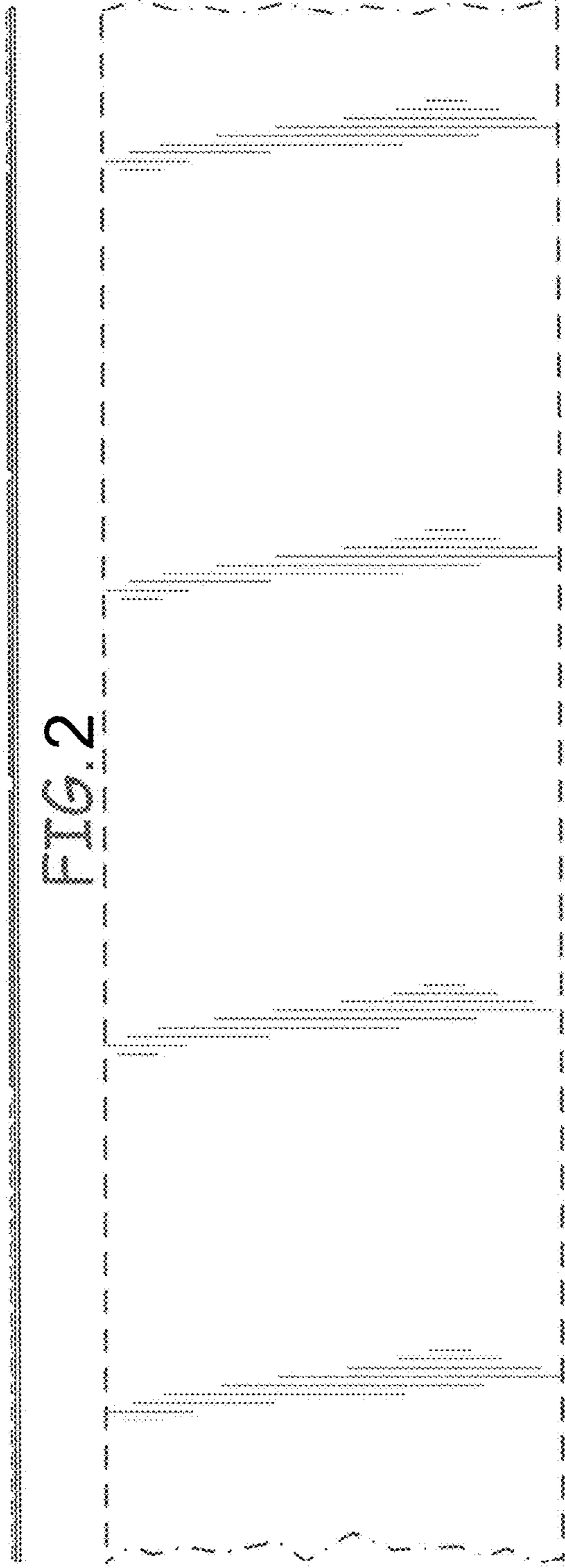


FIG. 2



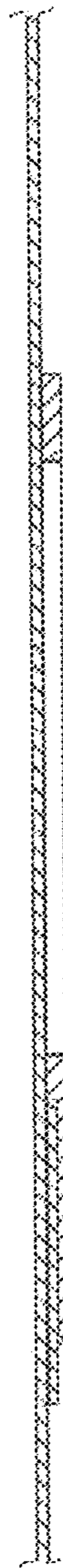


FIG. 7