



US00D931612S

(12) **United States Design Patent**
Tortorella, Jr.

(10) **Patent No.:** **US D931,612 S**
(45) **Date of Patent:** **** Sep. 28, 2021**

(54) **WALL MOUNT FOR AN ORGANIZER SYSTEM**

(71) Applicant: **Frank Joseph Tortorella, Jr.**, Park Ridge, IL (US)

(72) Inventor: **Frank Joseph Tortorella, Jr.**, Park Ridge, IL (US)

(**) Term: **15 Years**

(21) Appl. No.: **29/650,060**

(22) Filed: **Jun. 4, 2018**

Related U.S. Application Data

(63) Continuation-in-part of application No. 29/647,006, filed on May 9, 2018.

(51) **LOC (13) Cl.** **03-03**

(52) **U.S. Cl.**
USPC **D3/315**

(58) **Field of Classification Search**

USPC D3/282, 283, 286, 294, 315
CPC . B25H 3/00; B25H 3/02; B25H 3/003; B25H 3/023; B25H 3/028; B25H 3/06; B25H 3/021; B25H 1/04; B25H 1/12
See application file for complete search history.

(56) **References Cited**

U.S. PATENT DOCUMENTS

D364,957 S * 12/1995 Turbowitz D3/276
5,984,441 A * 11/1999 Stokhuijzen B25H 3/023
211/2

8,596,487 B1 * 12/2013 Su B25H 3/06
220/524
D721,891 S * 2/2015 Ben-Gigi D3/282
D738,622 S * 9/2015 Sabbag D3/282
D848,738 S * 5/2019 Zhao D3/294
D873,014 S * 1/2020 Shechtman D3/283
D877,510 S * 3/2020 Christen D3/294
D878,096 S * 3/2020 Tortorella, Jr. D6/553
D894,587 S * 9/2020 Sun D3/201
D902,584 S * 11/2020 Kriesel D3/260
D912,400 S * 3/2021 Guerdrum D3/294

* cited by examiner

Primary Examiner — Charles D Hanson

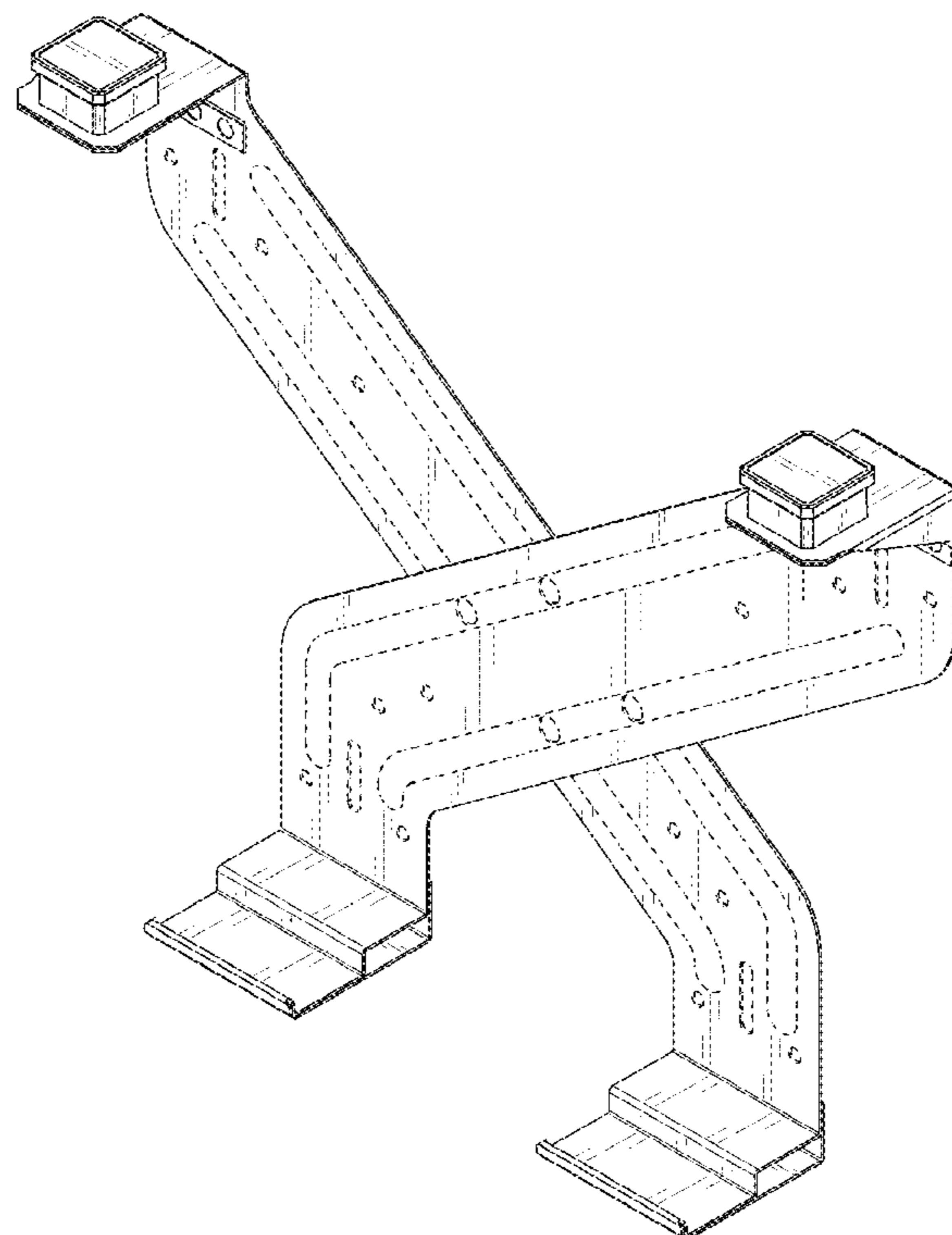
(57) **CLAIM**

The ornamental design for a wall mount for an organizer system, as shown and described.

DESCRIPTION

FIG. 1 is a top right front perspective view of a design for a wall mount of the organizer system;
FIG. 2 is a front view of the design for the wall mount of the organizer system;
FIG. 3 is a rear view of the design for the wall mount of the organizer system;
FIG. 4 is a left side view of the design for the wall mount of the organizer system;
FIG. 5 is a right side view of the design for the wall mount of the organizer system;
FIG. 6 is a top view of the design for the wall mount of the organizer system; and,
FIG. 7 is a bottom view of the design for the wall mount of the organizer system.

1 Claim, 7 Drawing Sheets



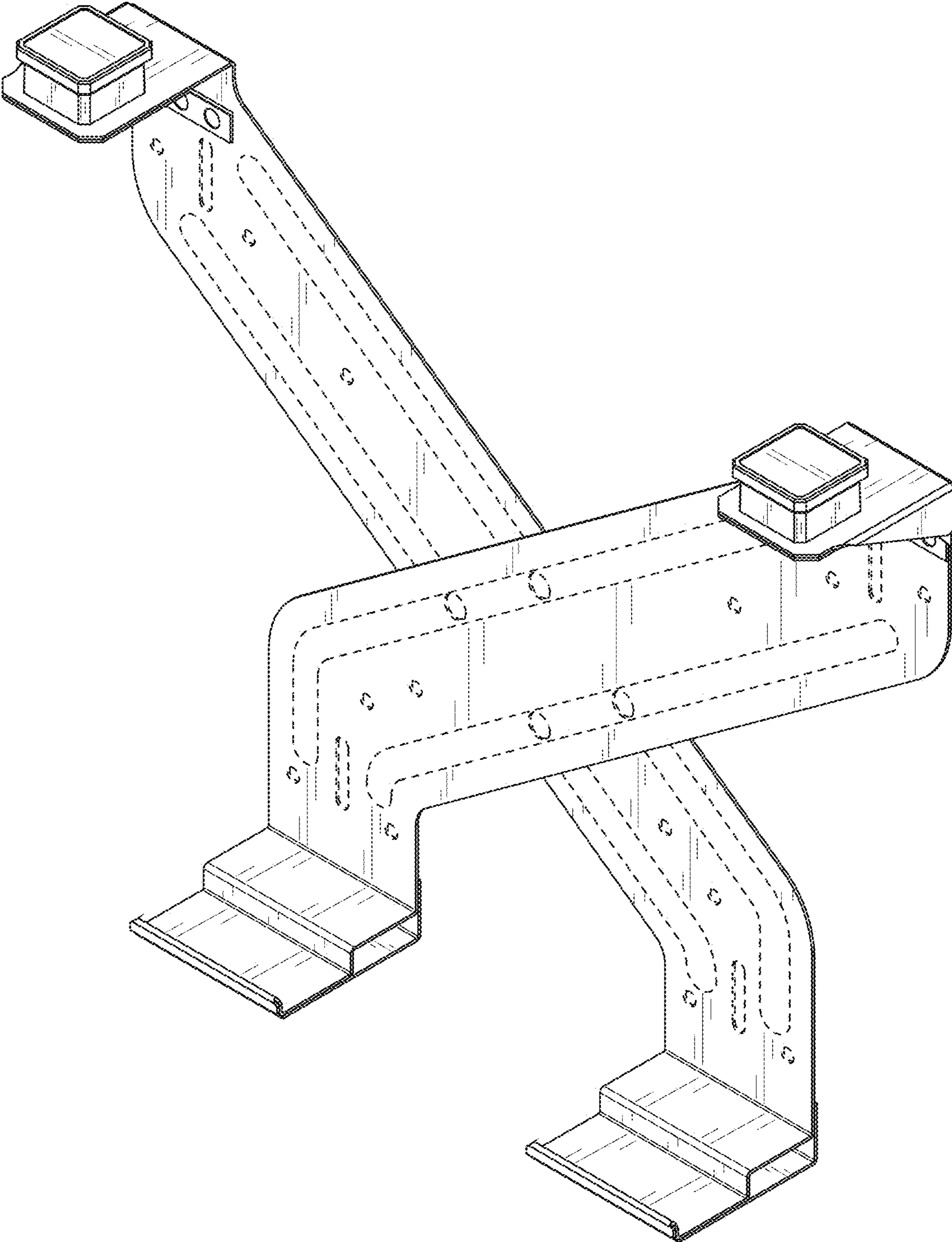


FIG. 1

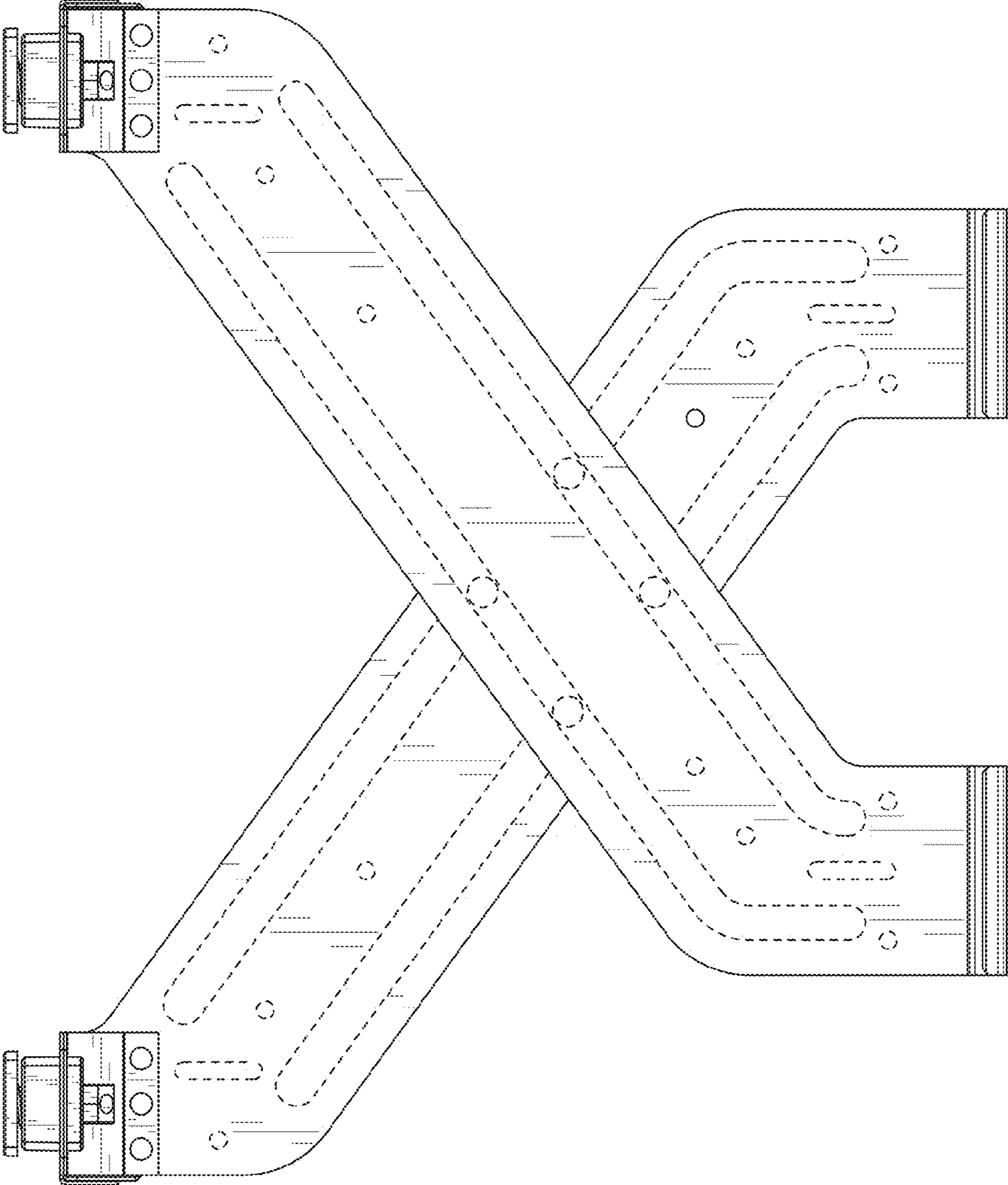


FIG. 2

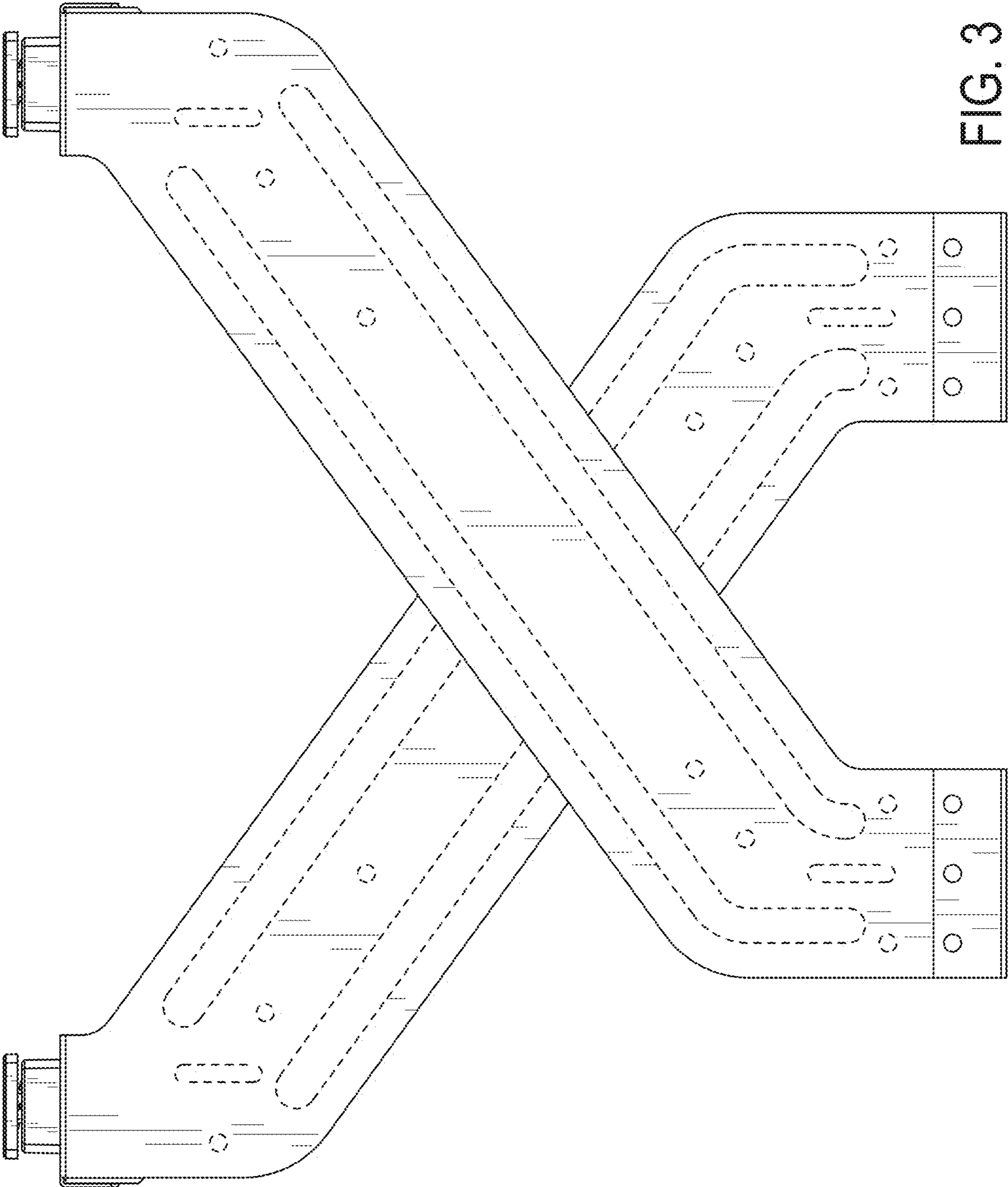


FIG. 3



FIG. 4



FIG. 5

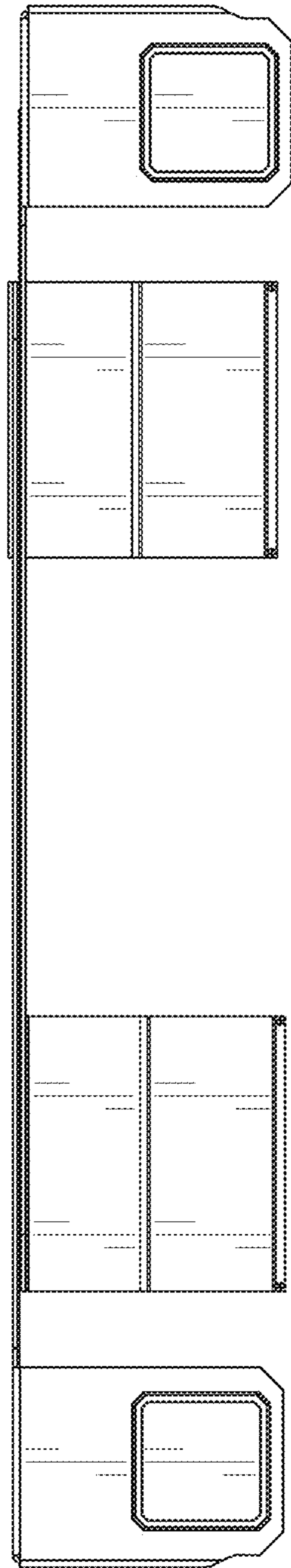


FIG. 6

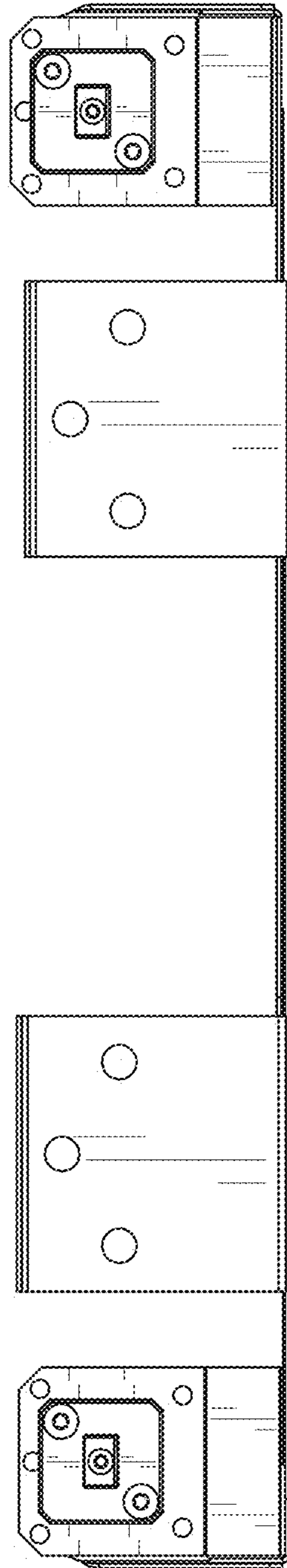


FIG. 7