



US00D931611S

(12) **United States Design Patent**  
**Tortorella, Jr.**

(10) **Patent No.:** **US D931,611 S**

(45) **Date of Patent:** **\*\* Sep. 28, 2021**

(54) **WALL MOUNT FOR AN ORGANIZER SYSTEM**

(71) Applicant: **Frank Joseph Tortorella, Jr.**, Park Ridge, IL (US)

(72) Inventor: **Frank Joseph Tortorella, Jr.**, Park Ridge, IL (US)

(\*\*) Term: **15 Years**

(21) Appl. No.: **29/647,006**

(22) Filed: **May 9, 2018**

(51) **LOC (13) Cl.** ..... **03-03**

(52) **U.S. Cl.**  
USPC ..... **D3/315**

(58) **Field of Classification Search**  
USPC ..... D3/282, 283, 286, 294, 315  
CPC . B25H 3/00; B25H 3/02; B25H 3/003; B25H 3/023; B25H 3/028; B25H 3/06; B25H 3/021; B25H 1/04; B25H 1/12  
See application file for complete search history.

(56) **References Cited**

U.S. PATENT DOCUMENTS

D364,957 S *	12/1995	Turbowitz	.....	D3/276
5,984,441 A *	11/1999	Stokhuijzen	.....	B25H 3/023
				211/2
8,596,487 B1 *	12/2013	Su	.....	B25H 3/06
				220/524
D721,891 S *	2/2015	Ben-Gigi	.....	D3/282
D738,622 S *	9/2015	Sabbag	.....	D3/282
D848,738 S *	5/2019	Zhao	.....	D3/294
D873,014 S *	1/2020	Shechtman	.....	D3/283

D877,510 S *	3/2020	Christen	.....	D3/294
D878,096 S *	3/2020	Tortorella, Jr.	.....	D6/553
D894,587 S *	9/2020	Sun	.....	D3/201
D902,584 S *	11/2020	Kriesel	.....	D3/260
D912,400 S *	3/2021	Guerdrum	.....	D3/294

\* cited by examiner

*Primary Examiner* — Charles D Hanson

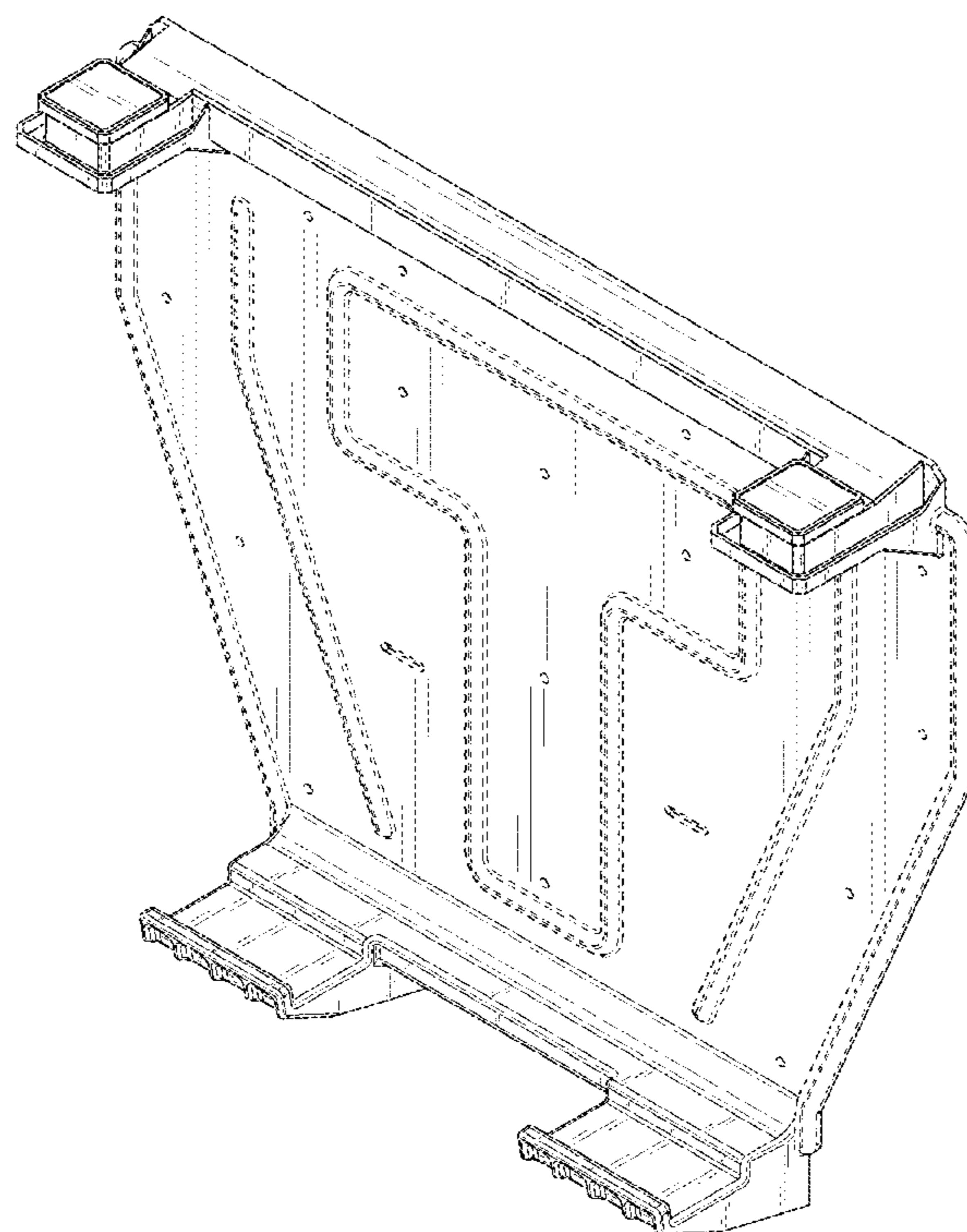
(57) **CLAIM**

The ornamental design for a wall mount for an organizer system, as shown and described.

**DESCRIPTION**

FIG. 1 is a top right front perspective view of a design for a wall mount of the organizer system;  
 FIG. 2 is a front view of the design for the wall mount of the organizer system;  
 FIG. 3 is a rear view of the design for the wall mount of the organizer system;  
 FIG. 4 is a left side view of the design for the wall mount of the organizer system;  
 FIG. 5 is a right side view of the design for the wall mount of the organizer system;  
 FIG. 6 is a top view of the design for the wall mount of the organizer system; and,  
 FIG. 7 is a bottom view of the design for the wall mount of the organizer system.  
 The features shown in broken lines depict environmental structure only and form no part of the claimed design.

**1 Claim, 7 Drawing Sheets**



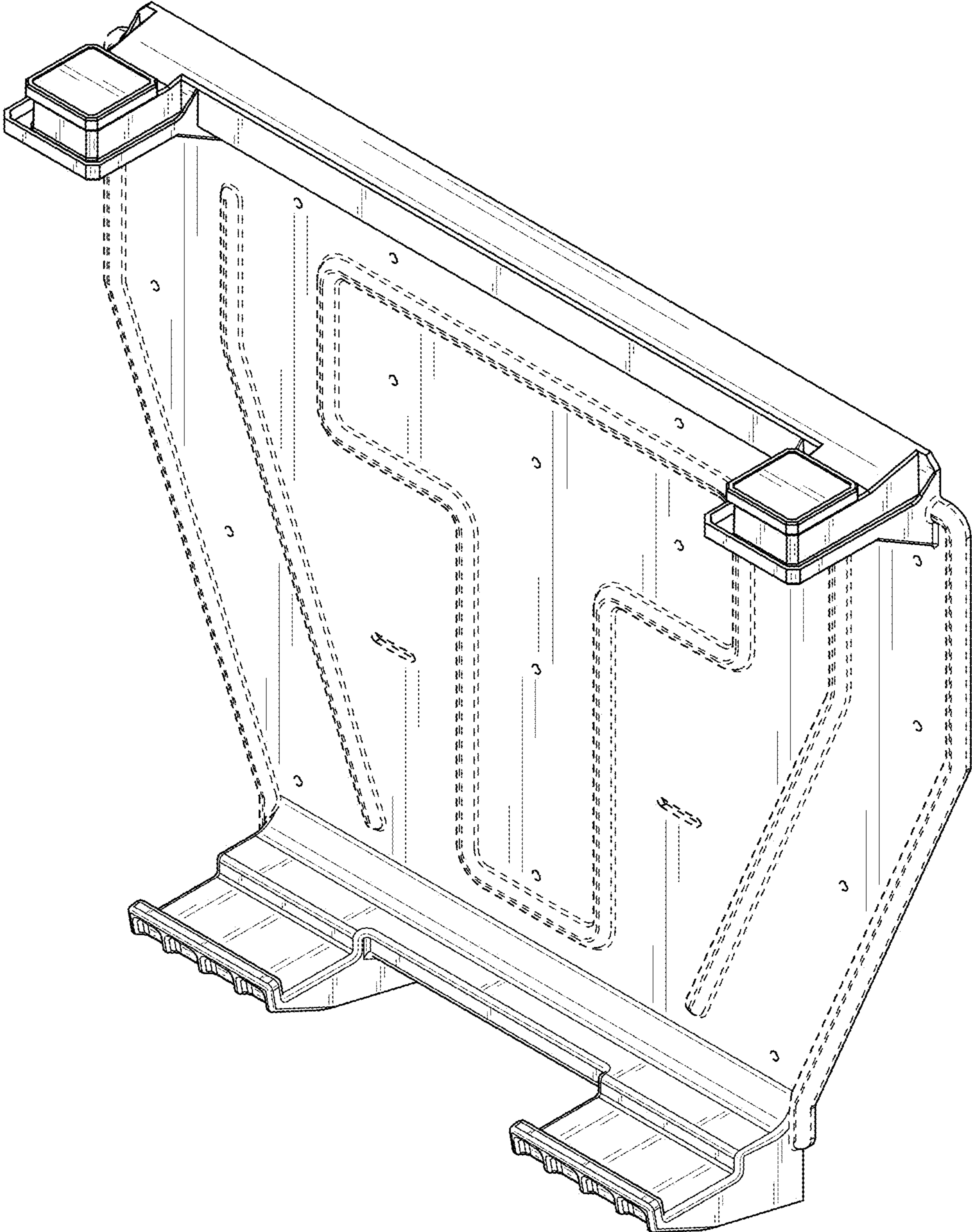


FIG. 1

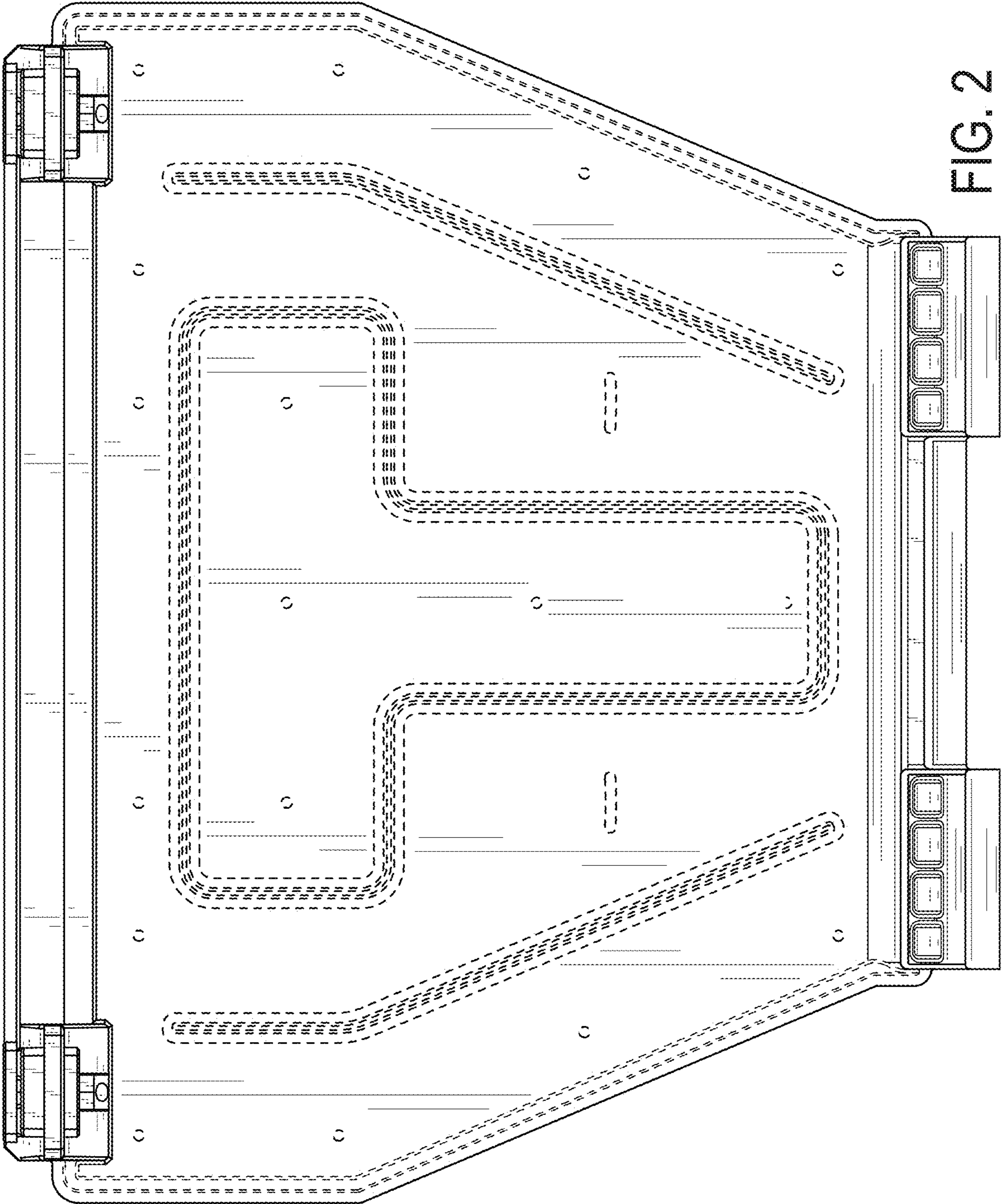


FIG. 2

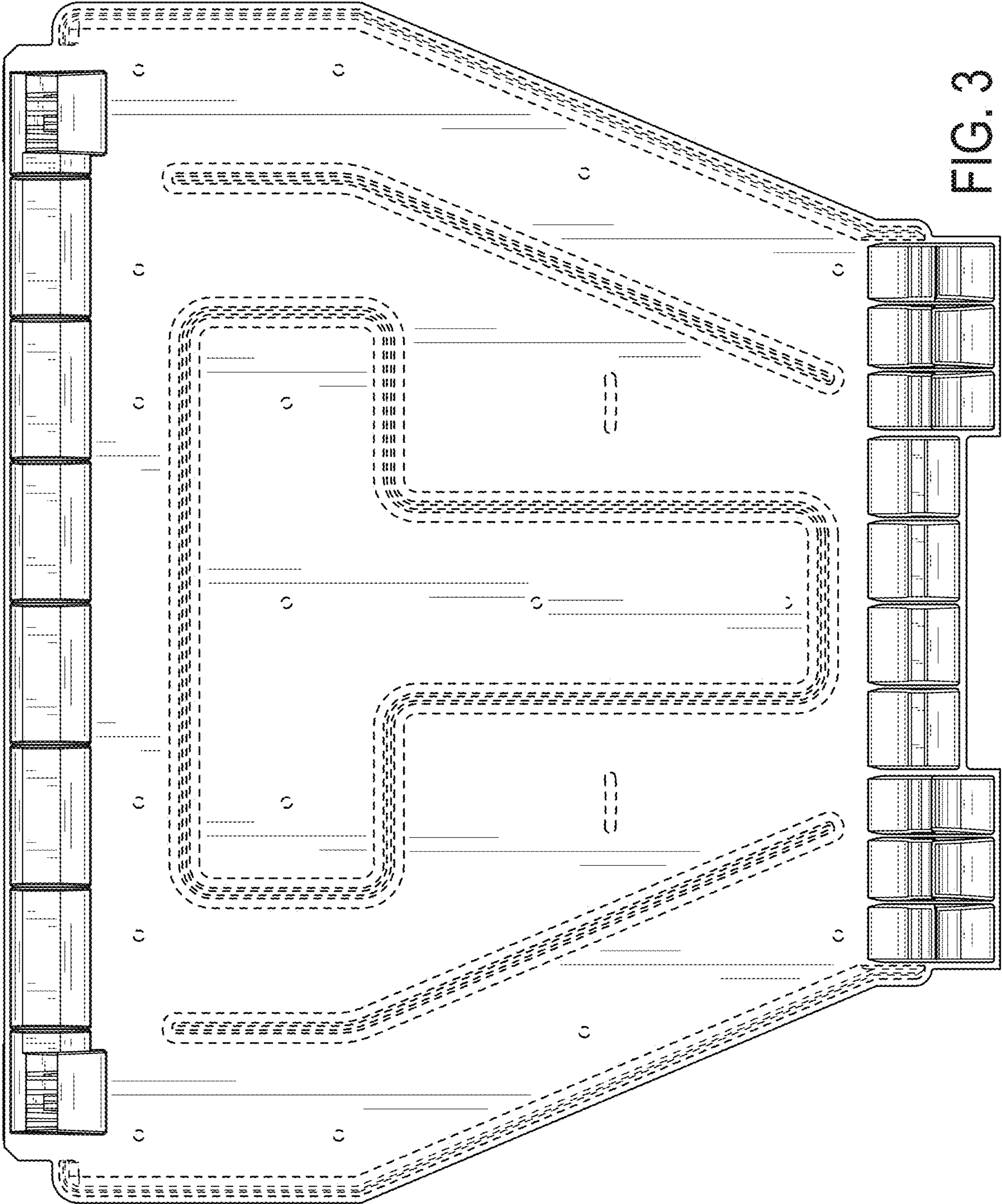


FIG. 3

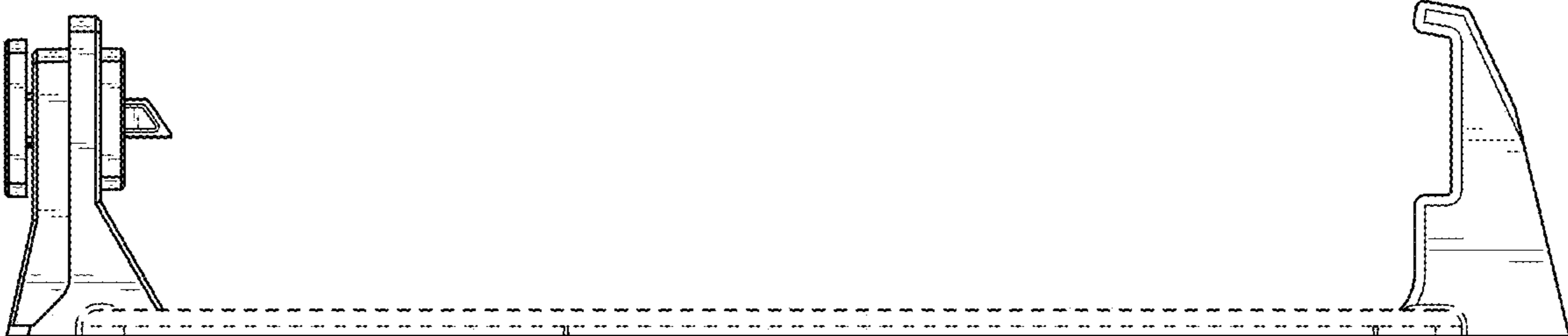


FIG. 4

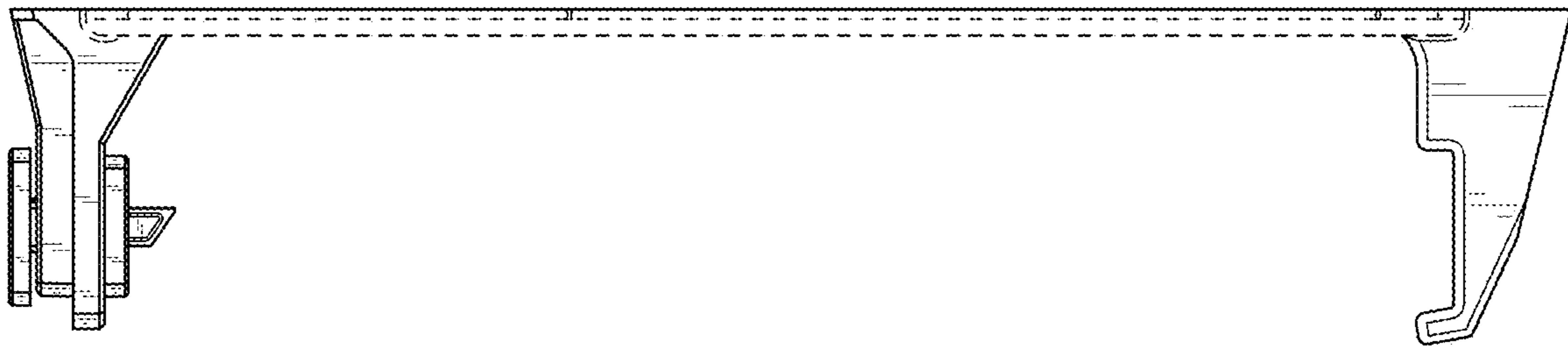


FIG. 5

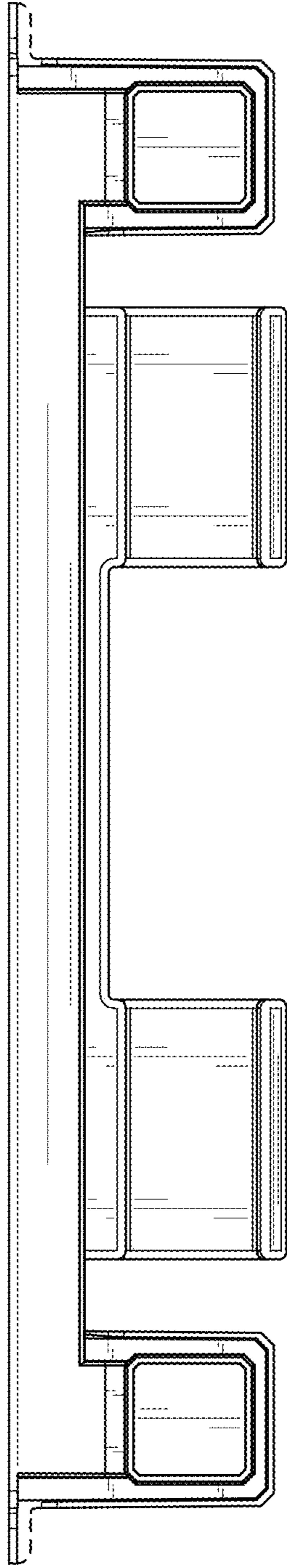


FIG. 6

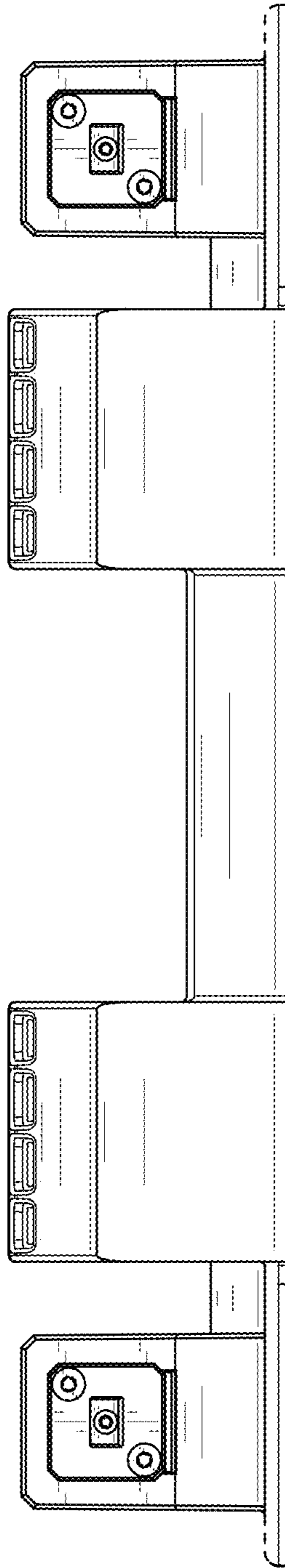


FIG. 7