



US00D931610S

(12) **United States Design Patent** (10) **Patent No.:** **US D931,610 S**  
**Lu** (45) **Date of Patent:** **\*\* Sep. 28, 2021**

(54) **DIAPER STORAGE ORGANIZER**

(71) Applicant: **Limei Lu, Dongguan (CN)**

(72) Inventor: **Limei Lu, Dongguan (CN)**

(\*\*) Term: **15 Years**

(21) Appl. No.: **29/754,423**

(22) Filed: **Oct. 9, 2020**

(51) **LOC (13) Cl.** ..... **03-01**

(52) **U.S. Cl.**  
USPC ..... **D3/313**

(58) **Field of Classification Search**  
USPC ..... D3/303–315, 318–319, 328; D6/672,  
D6/673, 675, 682, 683.1  
CPC .... B65D 1/00; B65D 1/22; B65D 1/24; A45C  
11/00; A45C 11/24; A45C 13/00; A45C  
13/02; A45C 2011/007  
See application file for complete search history.

(56) **References Cited**

**U.S. PATENT DOCUMENTS**

D328,522 S *	8/1992	Buck	.....	D3/303
D397,871 S *	9/1998	Bellechilli	.....	D3/303
D444,302 S	7/2001	Jones		
D587,897 S *	3/2009	Radke	.....	D3/202
D758,731 S *	6/2016	Noh	.....	D3/304
D762,384 S *	8/2016	Boroski	.....	D3/283
D766,571 S *	9/2016	Boroski	.....	D3/232
D776,929 S *	1/2017	Noh	.....	D3/315
D797,452 S *	9/2017	Schartle	.....	D3/309

D835,411 S *	12/2018	Hughes	.....	D3/305
D843,113 S *	3/2019	Carter	.....	D3/315
D851,935 S *	6/2019	Best	.....	D3/313
D851,936 S *	6/2019	Lit Chung	.....	D3/315
D869,847 S *	12/2019	Huebner	.....	D3/315
D885,055 S *	5/2020	Zhao	.....	D3/310
D919,297 S *	5/2021	Wang	.....	D3/315
2010/0270342 A1 *	10/2010	Barthel	.....	A45C 3/04 224/148.4
2021/0188484 A1 *	6/2021	Lindbo	.....	B65D 25/005

\* cited by examiner

*Primary Examiner* — Kelley A Donnelly

(74) *Attorney, Agent, or Firm* — Justin Lampel

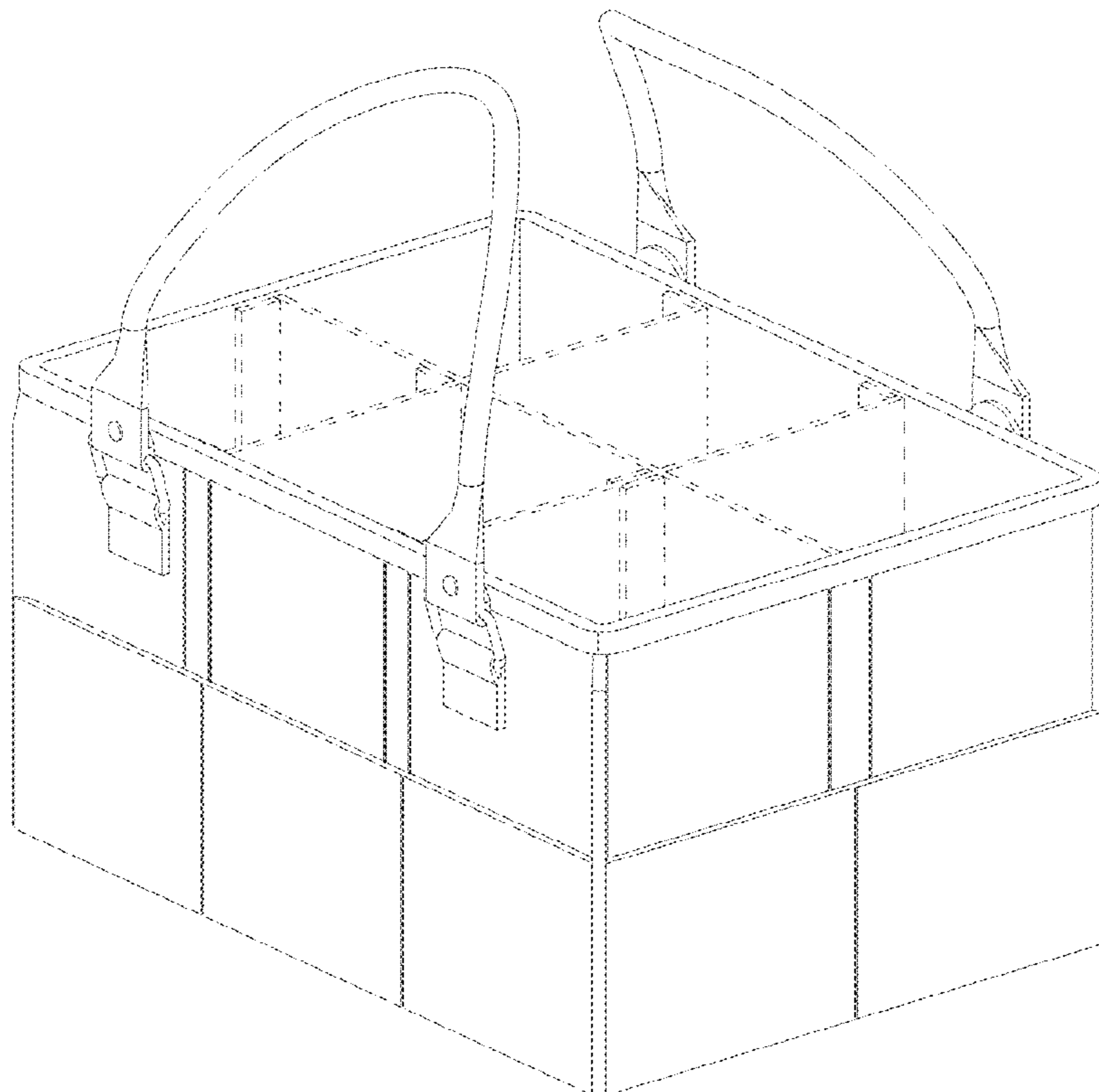
(57) **CLAIM**

The ornamental design for a diaper storage organizer, as shown and described.

**DESCRIPTION**

FIG. 1 is a perspective view of a diaper storage organizer showing the claimed design;  
FIG. 2 is a top plan view thereof;  
FIG. 3 is a rear elevational view thereof;  
FIG. 4 is a bottom plan view thereof;  
FIG. 5 is a right side view thereof;  
FIG. 6 is a front elevational view thereof; and,  
FIG. 7 is a left side view thereof.  
The broken lines illustrate portions of the diaper storage organizer that form no part of the claimed design.

**1 Claim, 7 Drawing Sheets**



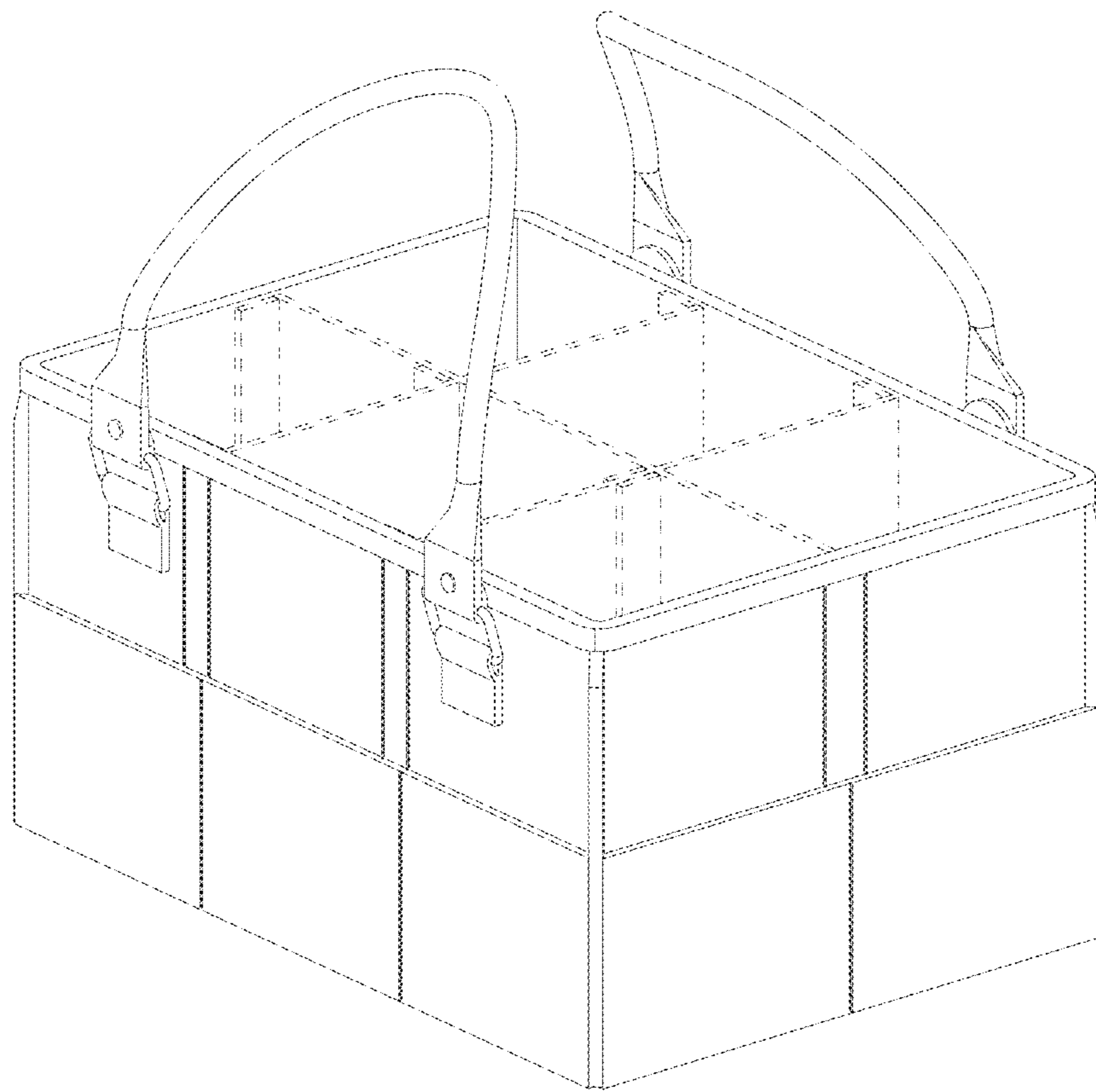


FIG.1

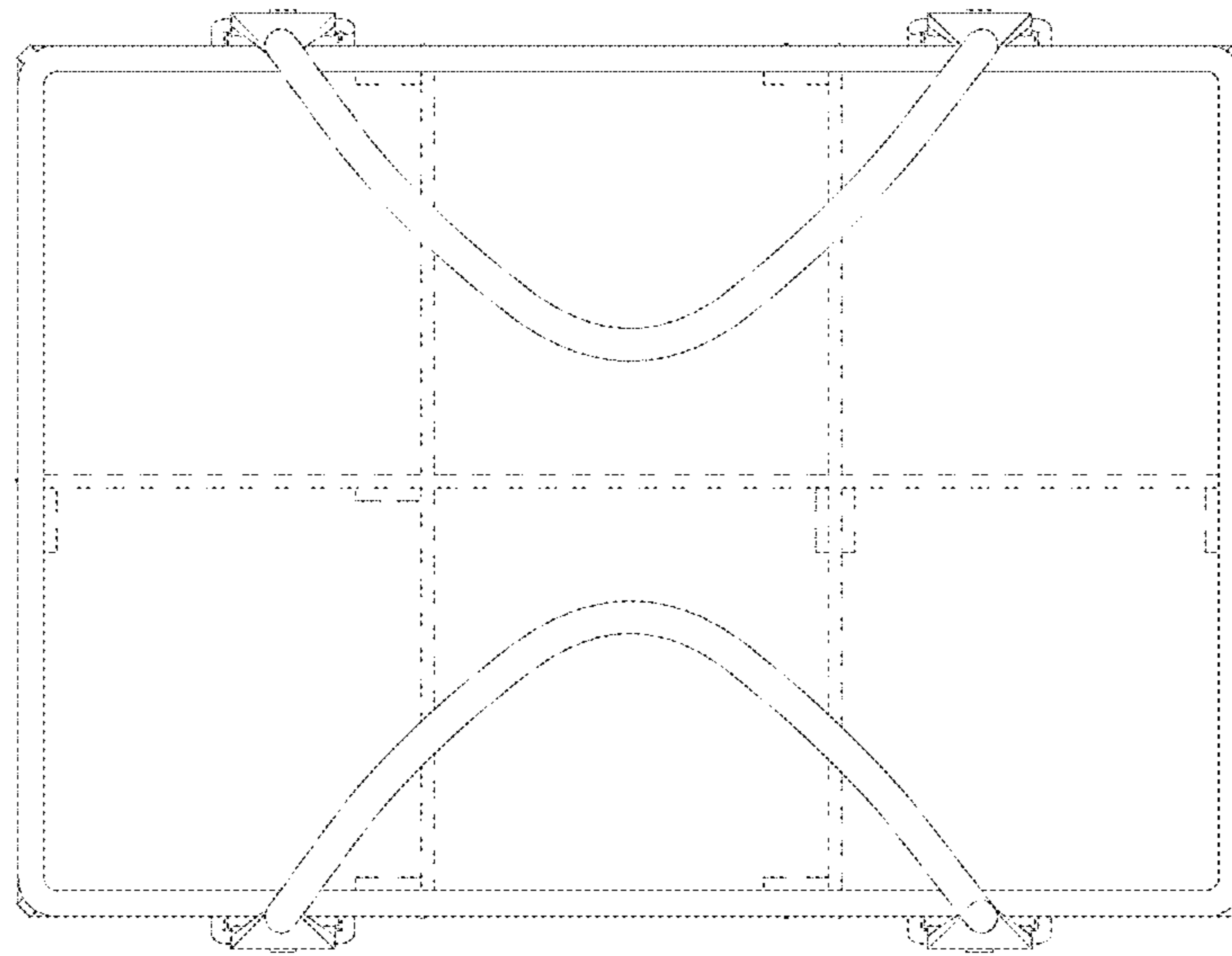


FIG. 2

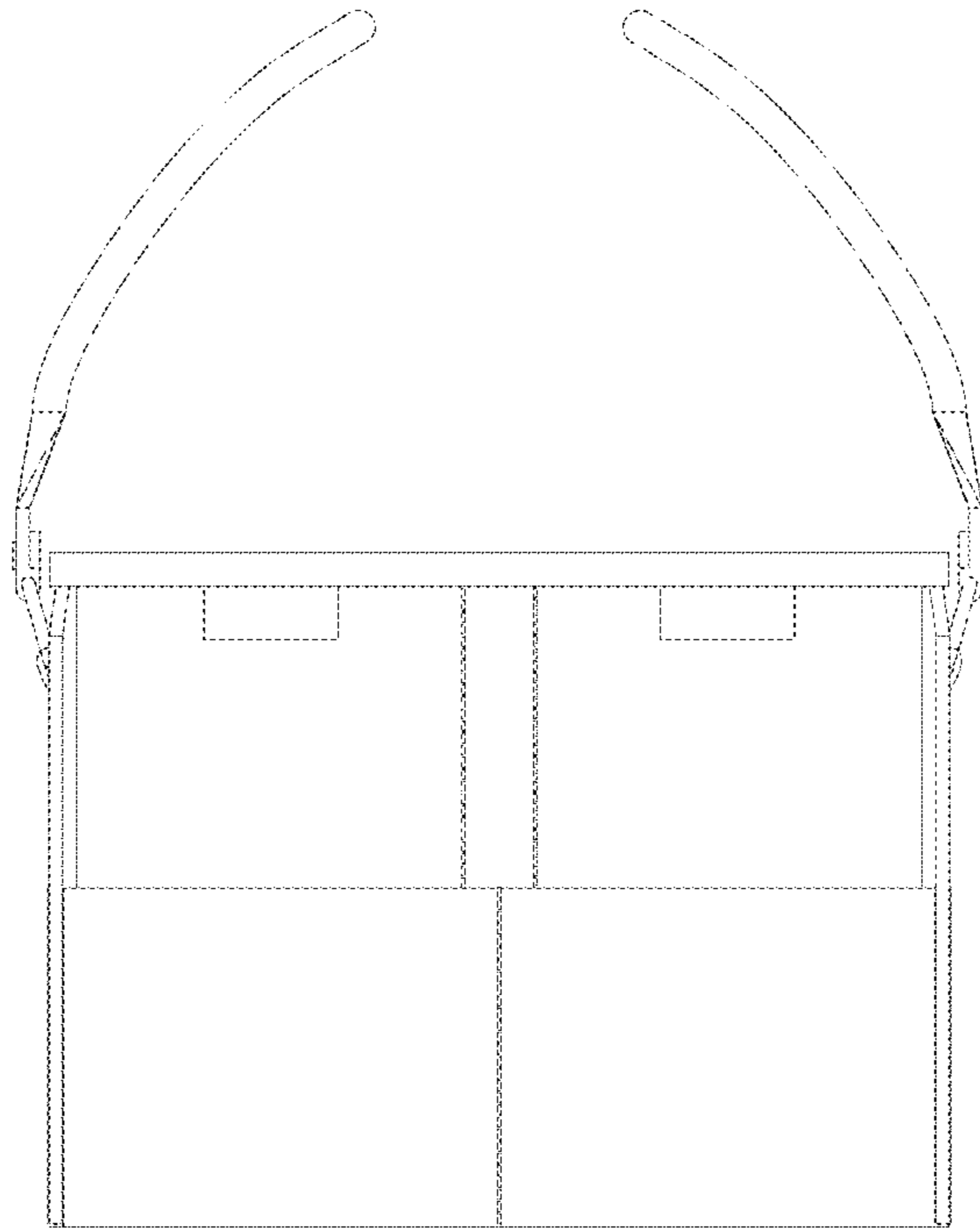


FIG.3

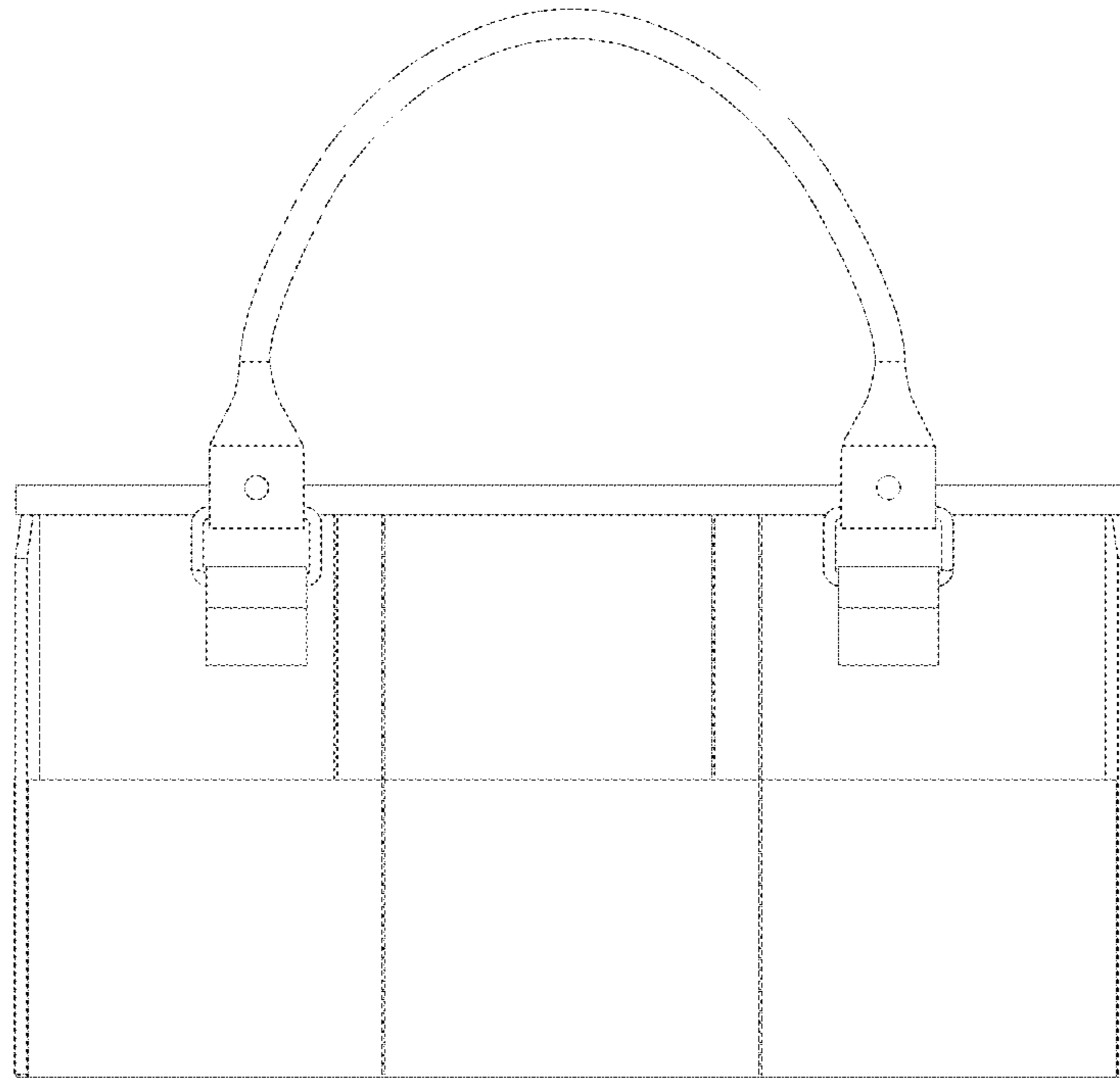


FIG. 4

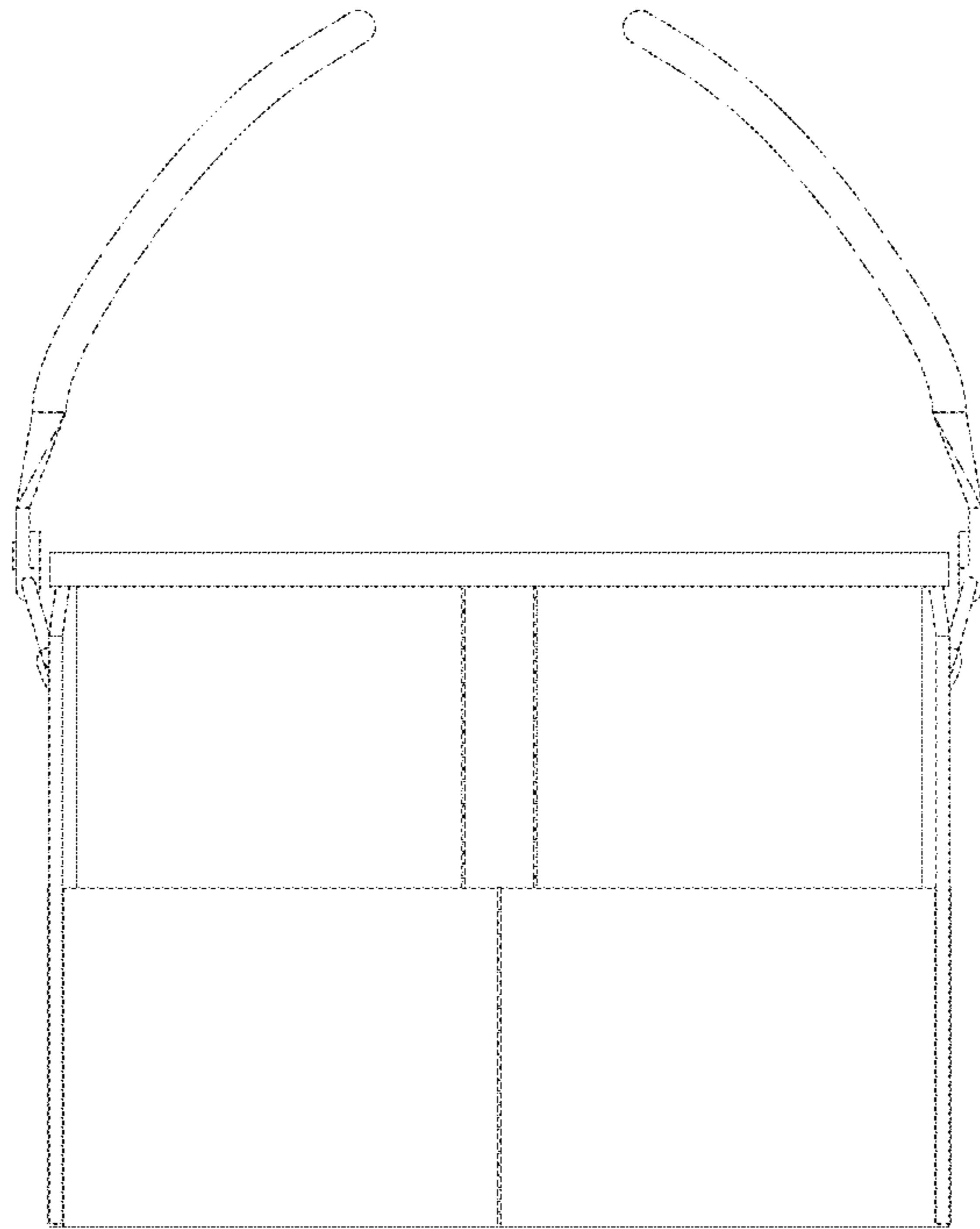


FIG.5

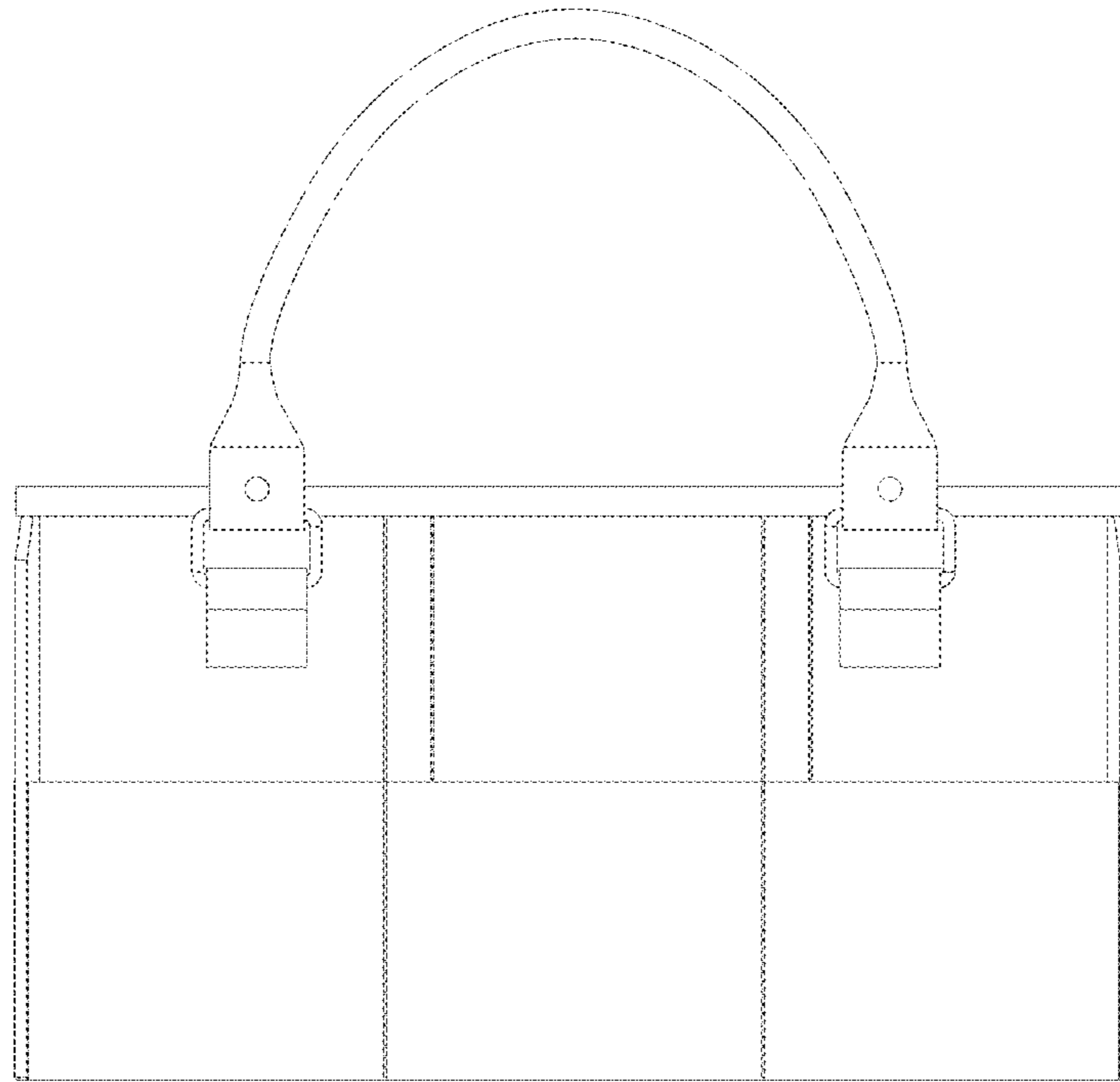


FIG.6

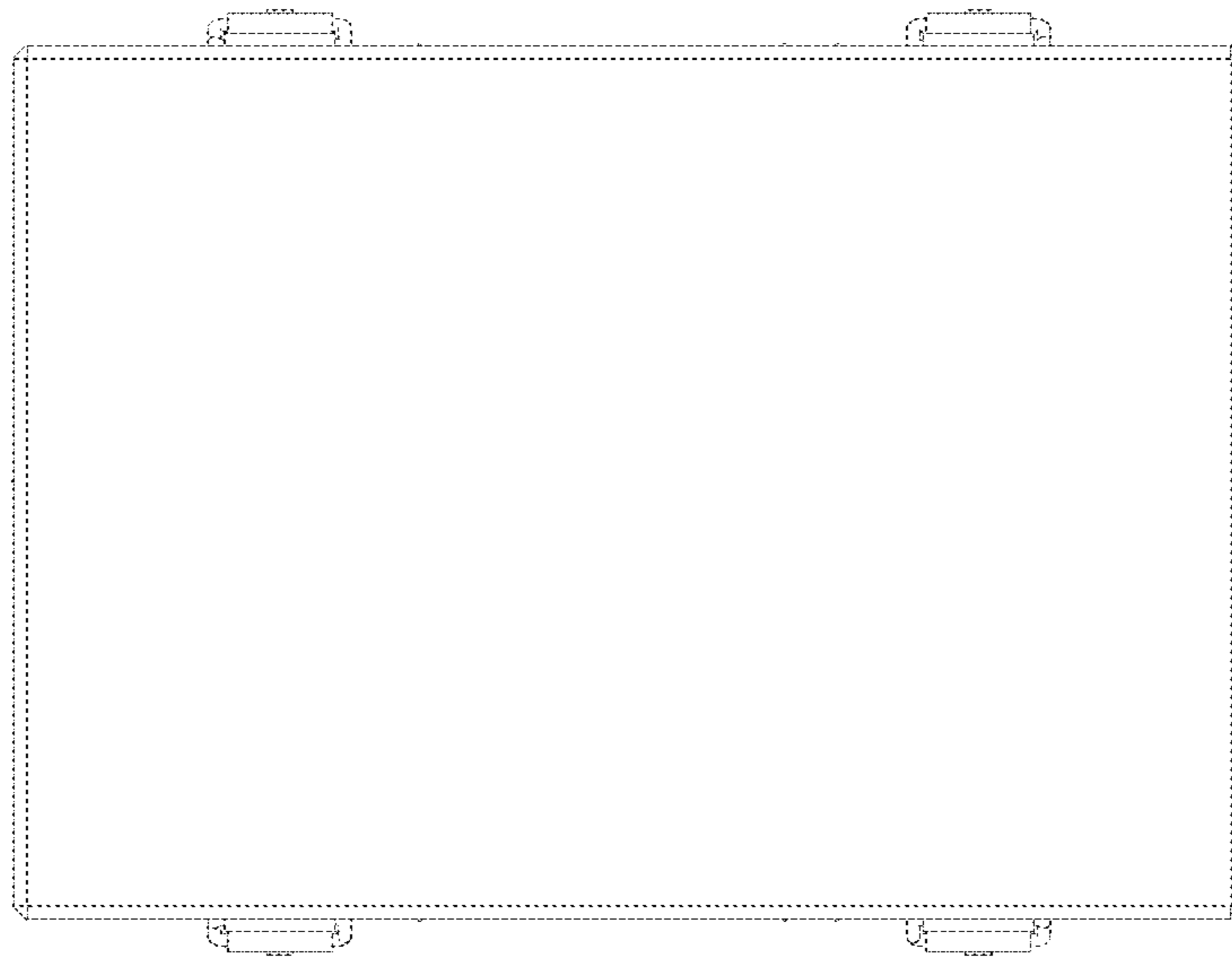


FIG. 7