



US00D931605S

(12) **United States Design Patent** (10) **Patent No.:** **US D931,605 S**  
**Zhu** (45) **Date of Patent:** **\*\* Sep. 28, 2021**

(54) **EARPHONE CASE**

(71) Applicant: **SHENZHEN CANNICE TECHNOLOGY CO., LTD.**,  
Guangdong (CN)

(72) Inventor: **Qilong Zhu**, Guangdong (CN)

(73) Assignee: **SHENZHEN CANNICE TECHNOLOGY CO., LTD.**,  
Guangdong (CN)

(\*\*) Term: **15 Years**

(21) Appl. No.: **29/687,319**

(22) Filed: **Apr. 12, 2019**

(51) **LOC (13) Cl.** ..... **03-01**

(52) **U.S. Cl.**  
USPC ..... **D3/294; D3/273**

(58) **Field of Classification Search**  
USPC ..... D3/201, 203.1, 204, 205, 207–208, 212,  
D3/215, 218, 269, 273–274, 276, 283,  
(Continued)

(56) **References Cited**

**U.S. PATENT DOCUMENTS**

D636,986 S \* 5/2011 Idsoe ..... D3/208  
D720,096 S \* 12/2014 McDougall ..... D28/66  
(Continued)

**OTHER PUBLICATIONS**

Truly wireless earbuds A801-08, posted at cannice.hk, no posting date, retrieved Jun. 20, 2020, online, URL: <http://www.cannice.hk/productcenter/info.aspx?itemid=8&lcid=4> (Year: 2020).\*

(Continued)

*Primary Examiner* — Lilyana Bekic  
*Assistant Examiner* — Mary Shannon Malley  
(74) *Attorney, Agent, or Firm* — Yue (Robert) Xu; Apex Attorneys at Law, LLP

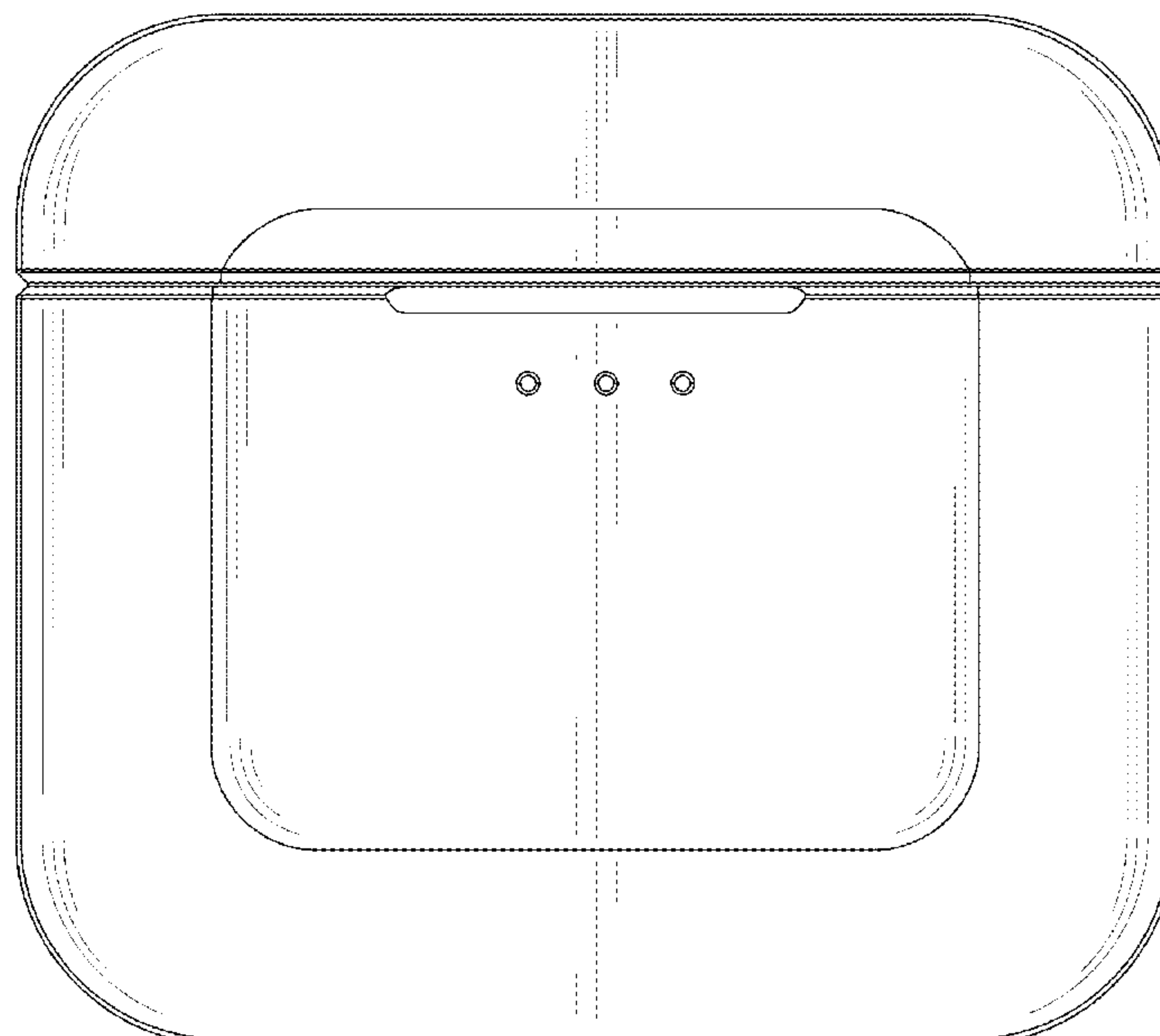
(57) **CLAIM**

The ornamental design for an earphone case, as shown and described.

**DESCRIPTION**

FIG. 1 is a front view of an earphone case according to the present application;  
FIG. 2 is a rear view of the earphone case according to the present application;  
FIG. 3 is a left view of the earphone case according to the present application;  
FIG. 4 is a right view of the earphone case according to the present application;  
FIG. 5 is a top view of the earphone case according to the present application;  
FIG. 6 is a bottom view of the earphone case according to the present application;  
FIG. 7 is a front view of the earphone case according to the present application in a partially open position;  
FIG. 8 is a rear view of the earphone case according to the present application in a partially open position;  
FIG. 9 is a left view of the earphone case according to the present application in a partially open position;  
FIG. 10 is a right view of the earphone case according to the present application in a partially open position;  
FIG. 11 is a top view of the earphone case according to the present application in a partially open position;  
FIG. 12 is a bottom view of the earphone case according to the present application in a partially open position; and,  
FIG. 13 is a perspective view of the earphone case according to the present application in a partially open position.  
The broken lines depict portions of the earphone case that form no part of the claimed design.

**1 Claim, 11 Drawing Sheets**



(58) **Field of Classification Search**

USPC ..... D3/284, 294-300, 302, 303, 315, 901,  
D3/903; D9/414, 418, 420, 430, 432;  
D28/66, 73, 76, 78, 91; D14/188, 201,  
D14/204, 205, 209.1, 217, 250, 251, 440,  
D14/447  
CPC ... A45C 13/002; A45C 13/005; A45C 13/025;  
A45C 2011/001; A45C 2011/002; A45C  
2011/003

See application file for complete search history.

(56) **References Cited**

U.S. PATENT DOCUMENTS

D775,463 S \* 1/2017 Shieh ..... D3/215  
9,829,953 B2 \* 11/2017 Reade ..... H02J 7/0042  
D808,791 S \* 1/2018 Johnston ..... D9/420  
D823,246 S \* 7/2018 Lin ..... D13/108

D853,357 S \* 7/2019 Li ..... D14/217  
D864,565 S \* 10/2019 Lee ..... D3/271.1  
D864,568 S \* 10/2019 Roberts ..... D3/294  
D866,564 S \* 11/2019 Lee ..... D14/447  
D881,180 S \* 4/2020 Wright ..... D14/250  
D886,453 S \* 6/2020 Wright ..... D3/294  
2018/0014104 A1 \* 1/2018 Boesen ..... H04R 1/1025  
2018/0064224 A1 \* 3/2018 Brzezinski ..... H04R 1/1025

OTHER PUBLICATIONS

True Wireless Earbuds with Charging Case . . . , posted at amazon.com, available Jun. 23, 2019, retrieved Jun. 20, 2020, online, URL: [https://www.amazon.com/Wireless-Charging-Bluetooth-Earphones-Resistant/dp/B07T9Y2R3X/ref=pd\\_lpo\\_23\\_img\\_0/147-0277846-0640837?\\_encoding=UTF8&pd\\_rd\\_i=B07T9Y2R3X&pd\\_rd\\_r=06113954-0f01](https://www.amazon.com/Wireless-Charging-Bluetooth-Earphones-Resistant/dp/B07T9Y2R3X/ref=pd_lpo_23_img_0/147-0277846-0640837?_encoding=UTF8&pd_rd_i=B07T9Y2R3X&pd_rd_r=06113954-0f01) (Year: 2019).\*

\* cited by examiner

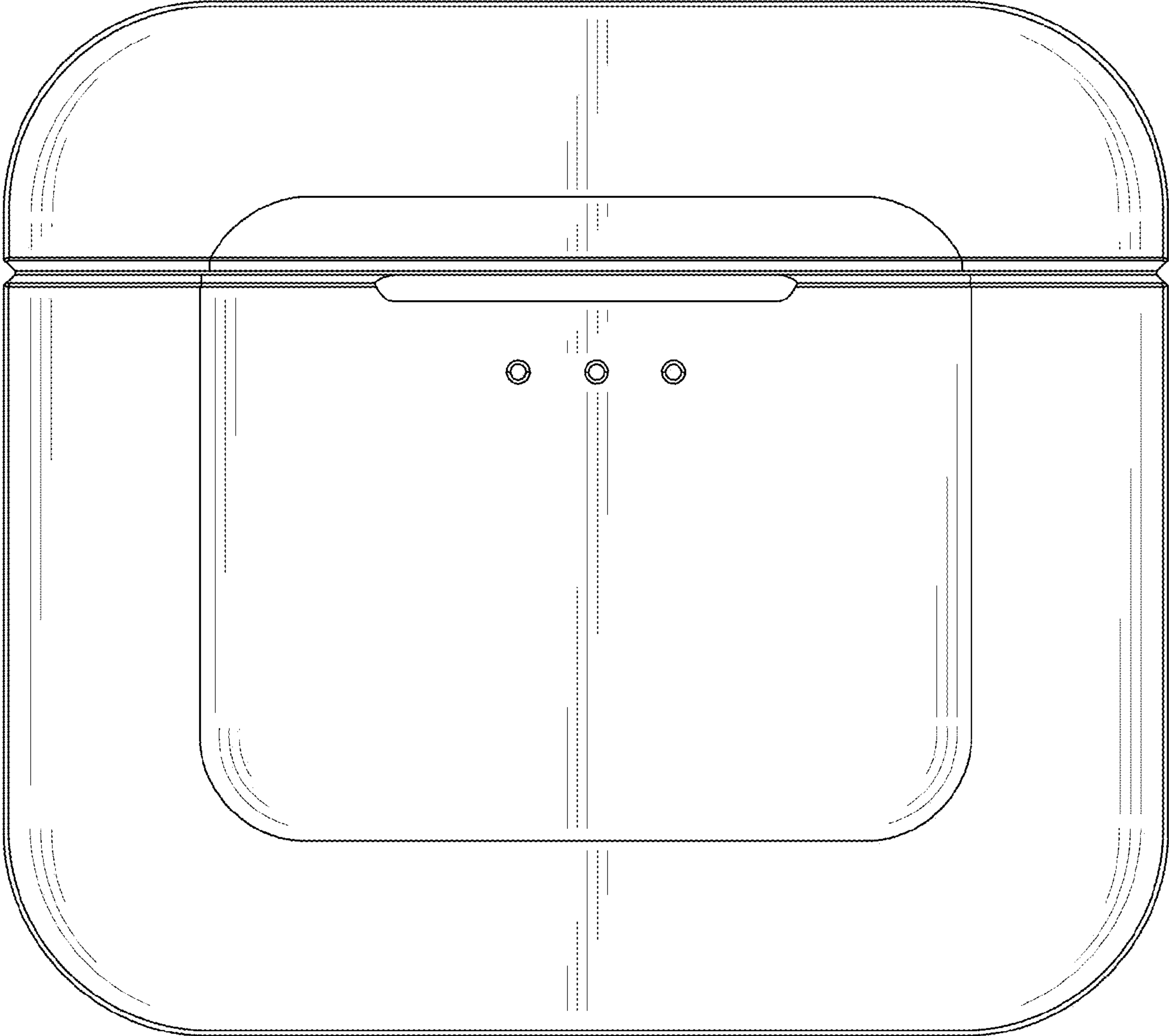


FIG. 1

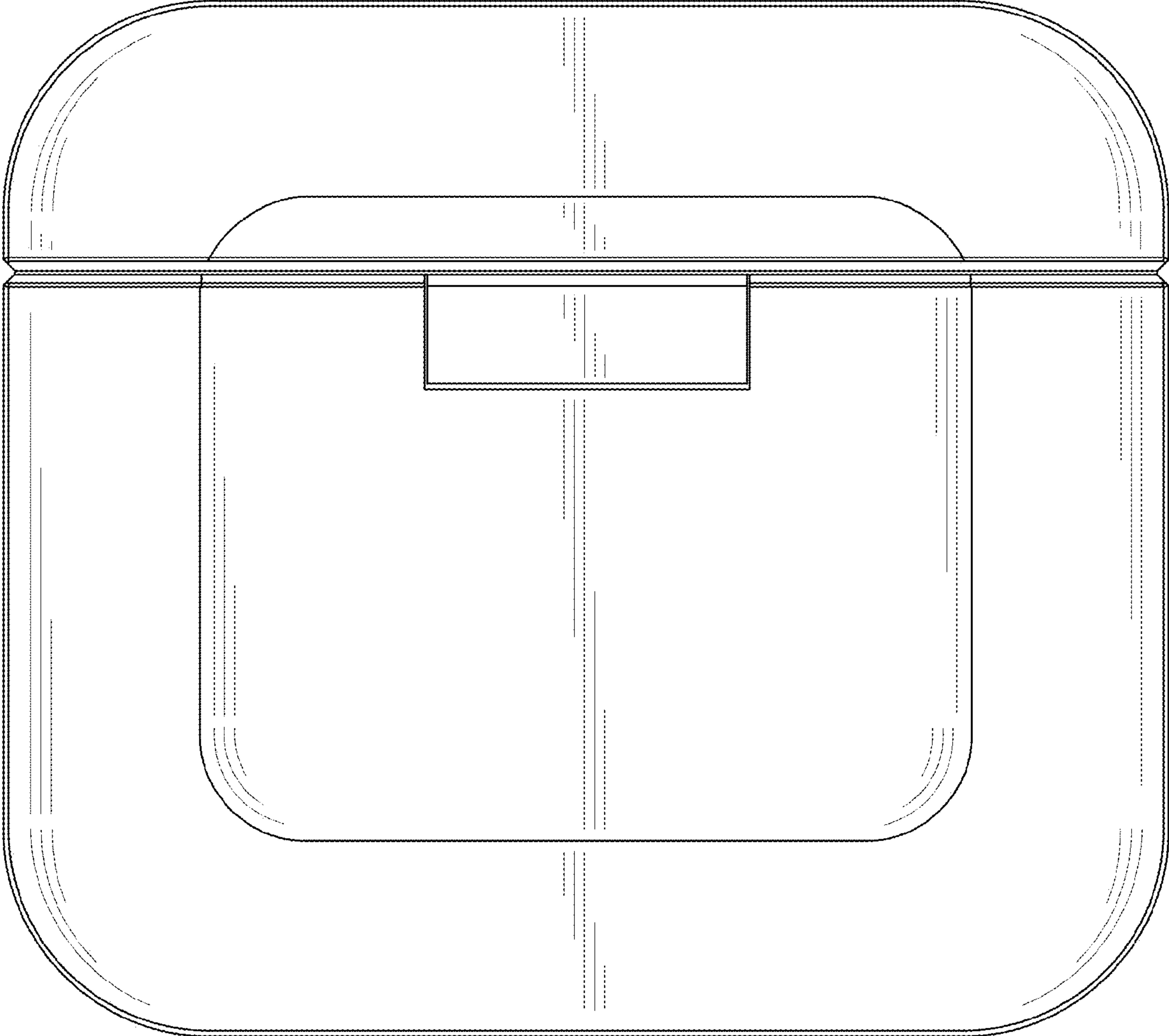


FIG. 2

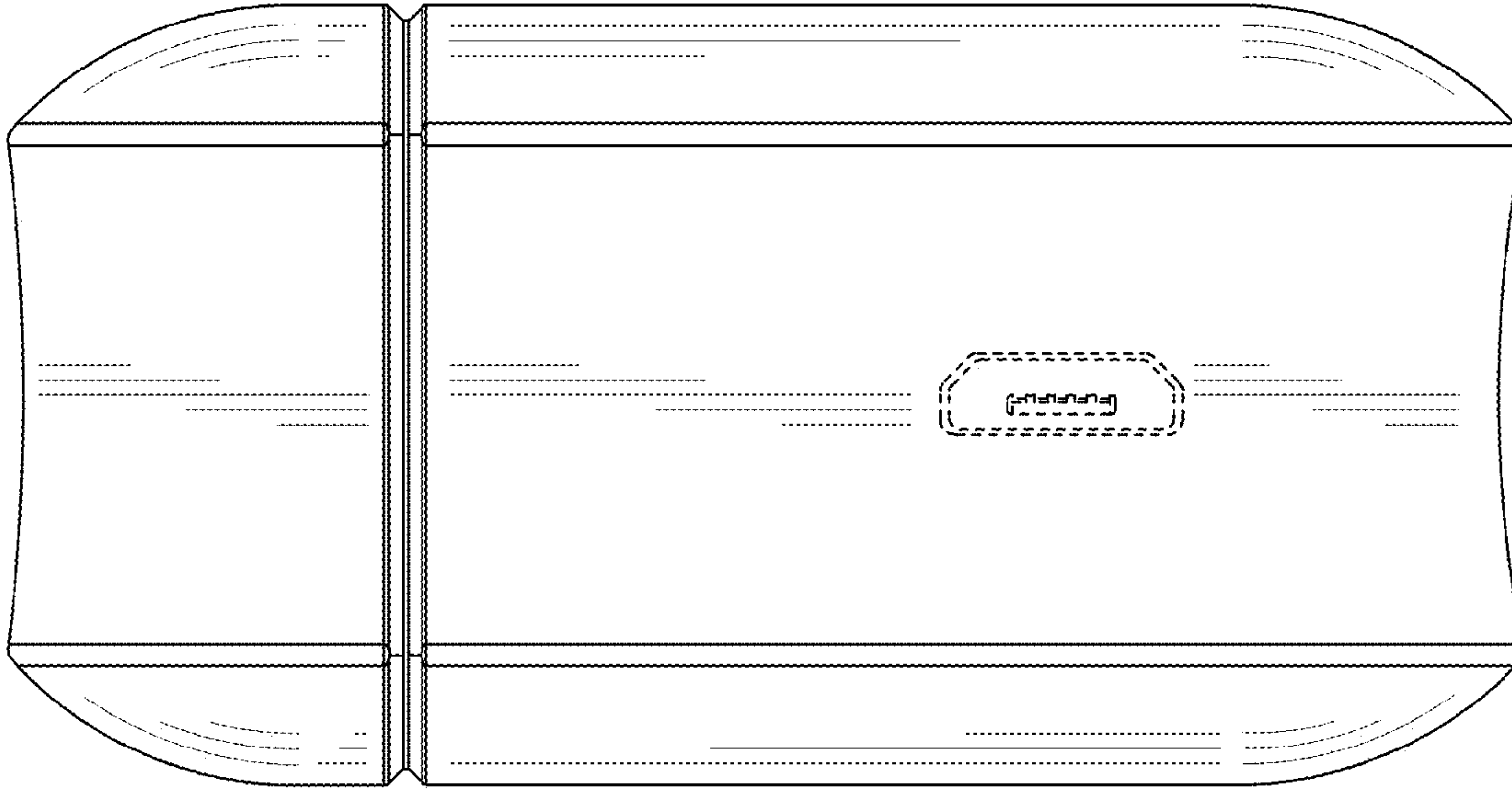


FIG. 4

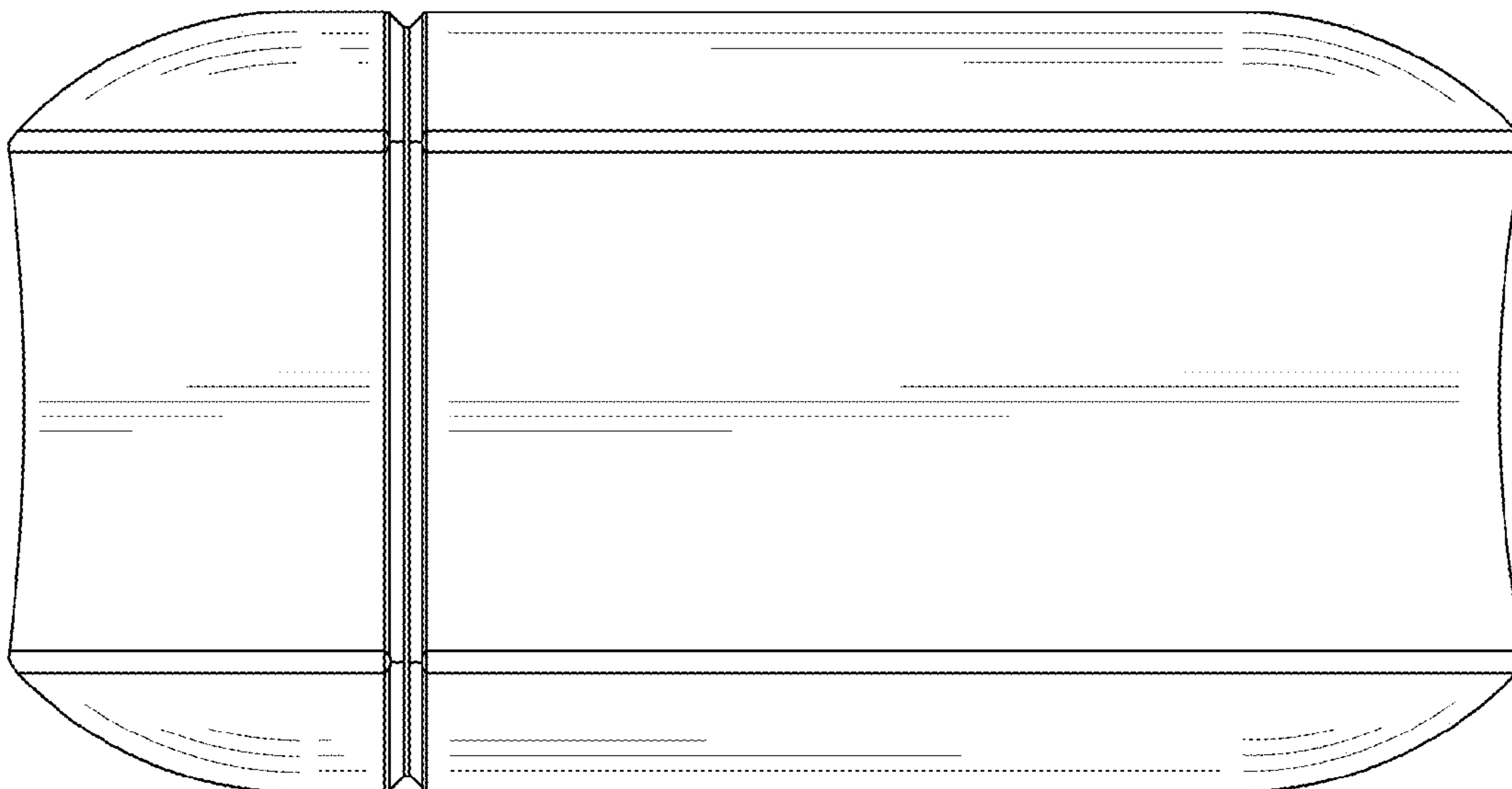


FIG. 3



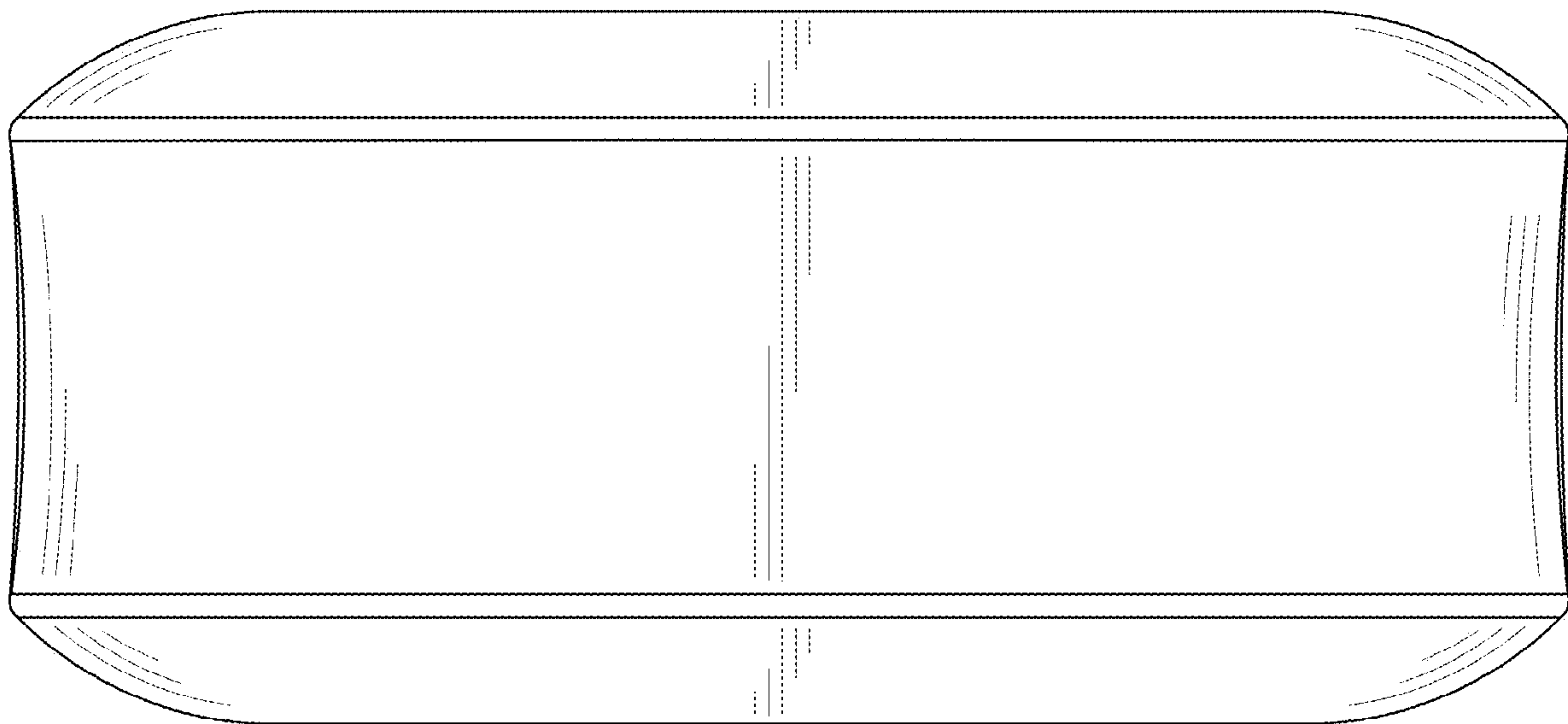


FIG. 5

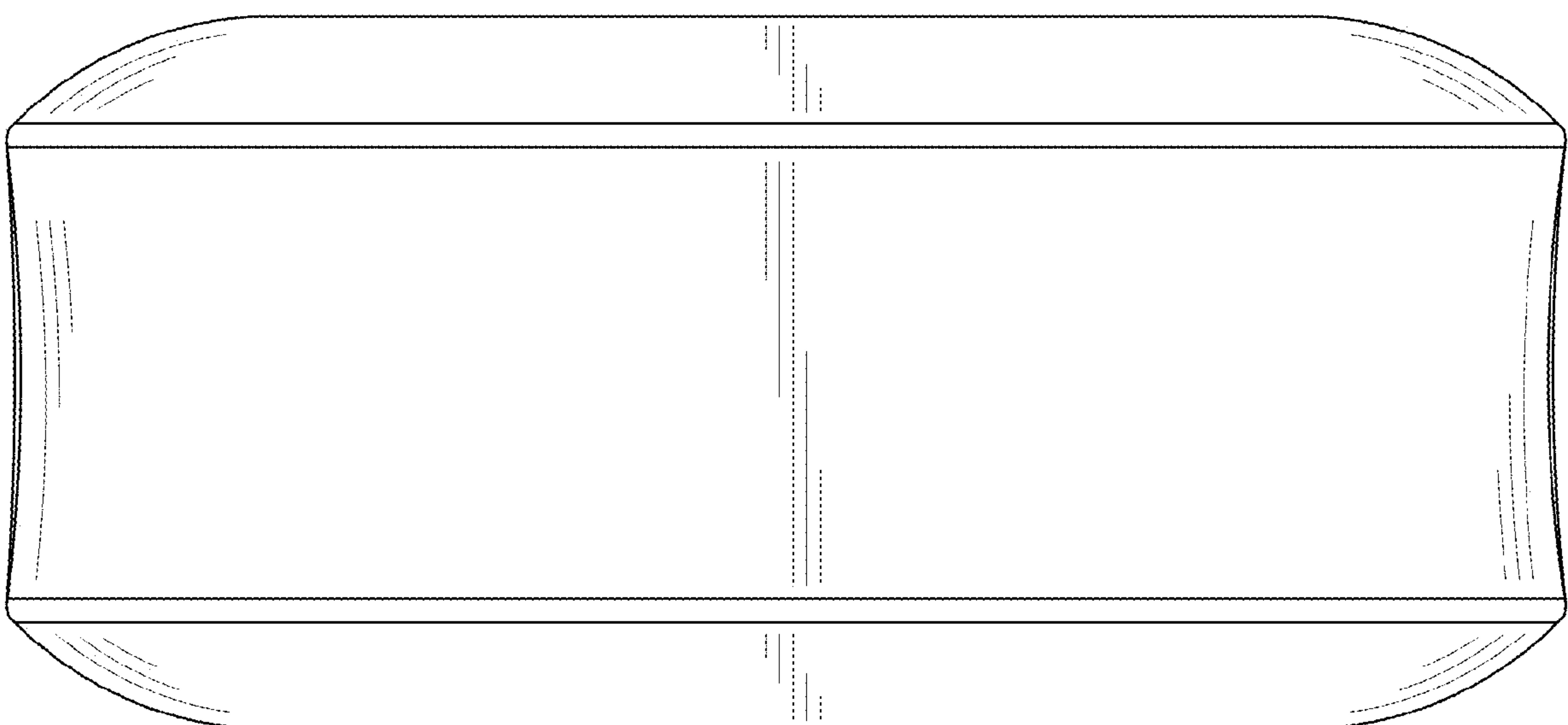


FIG. 6

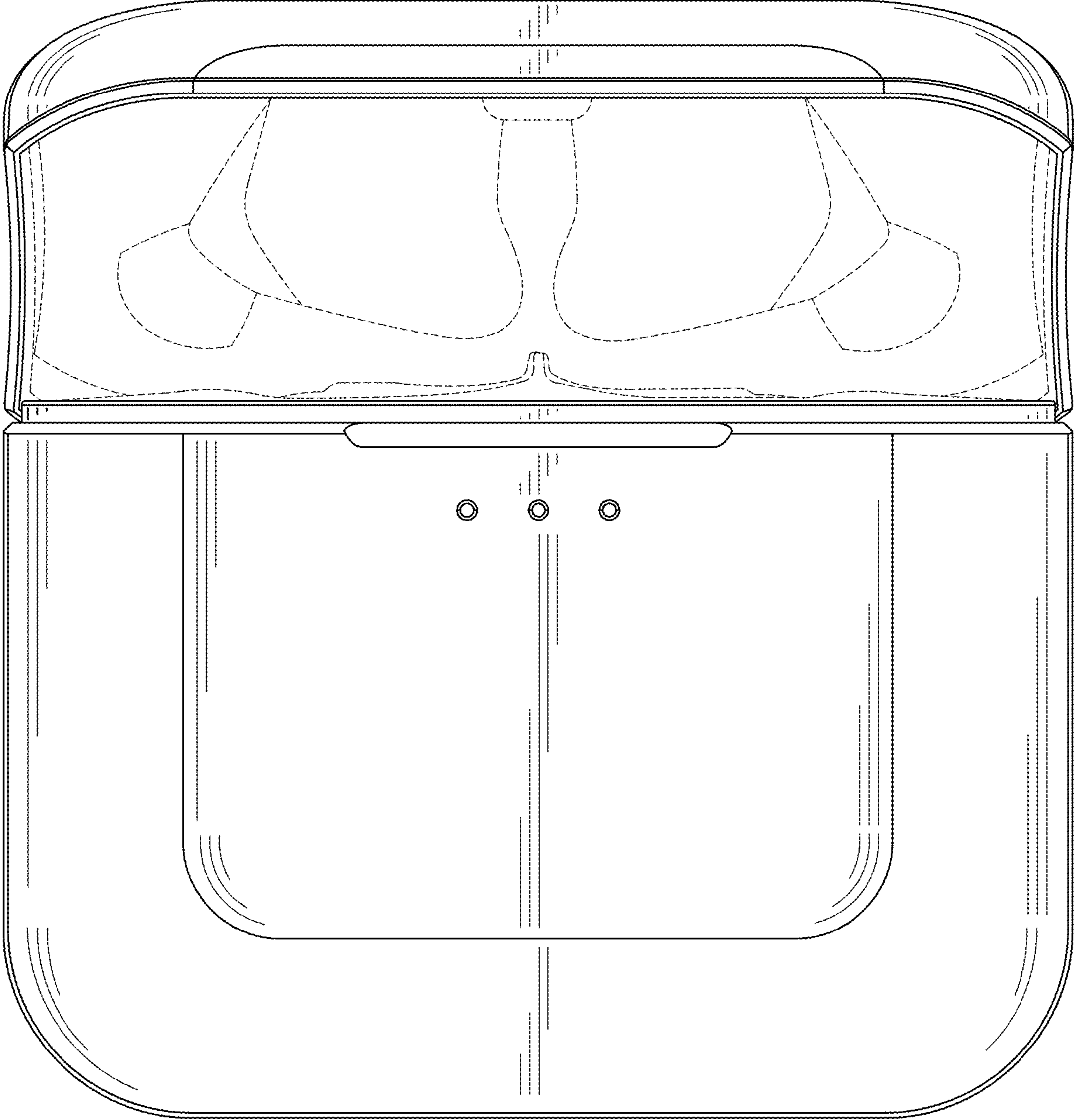


FIG. 7

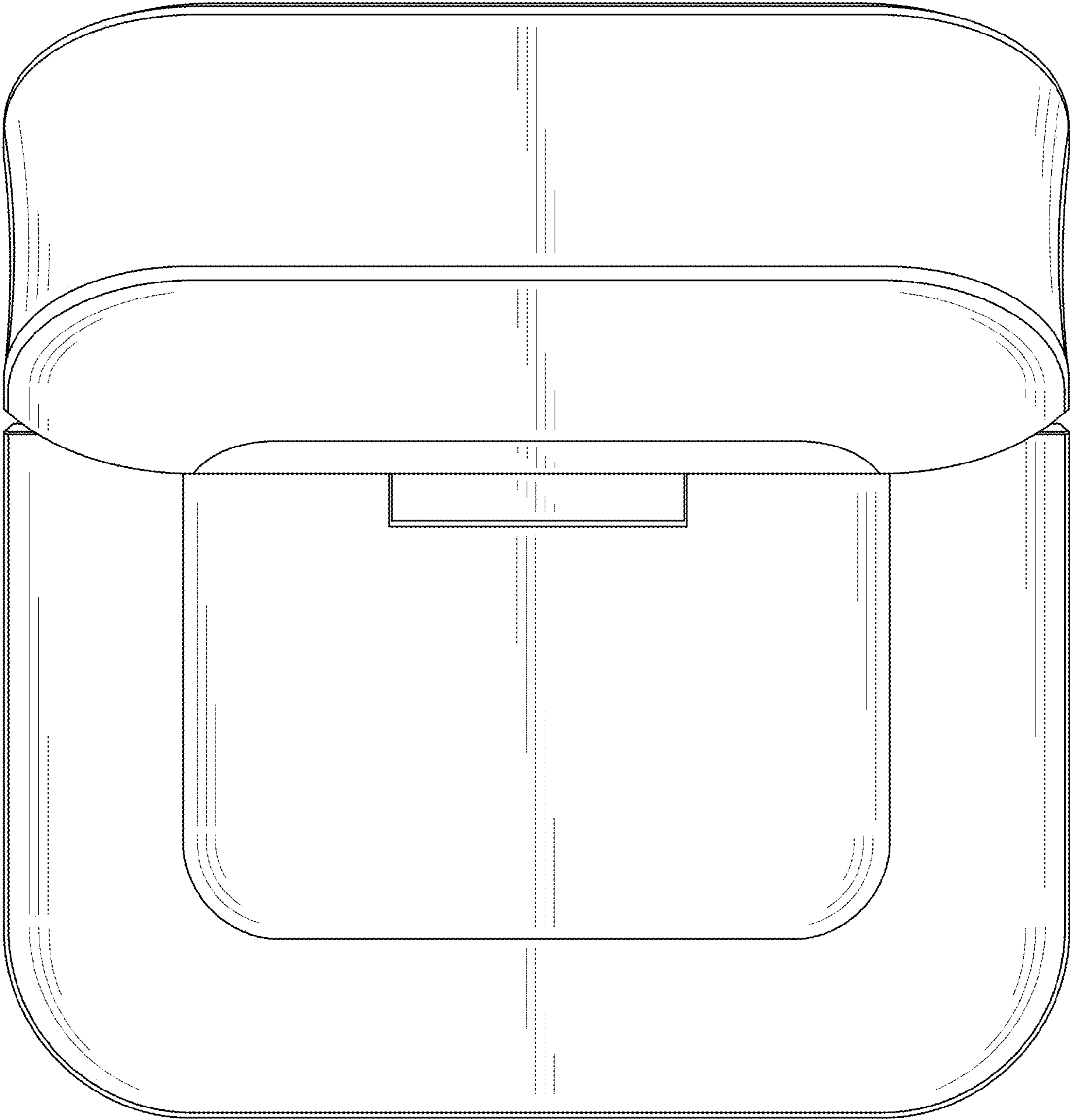


FIG. 8



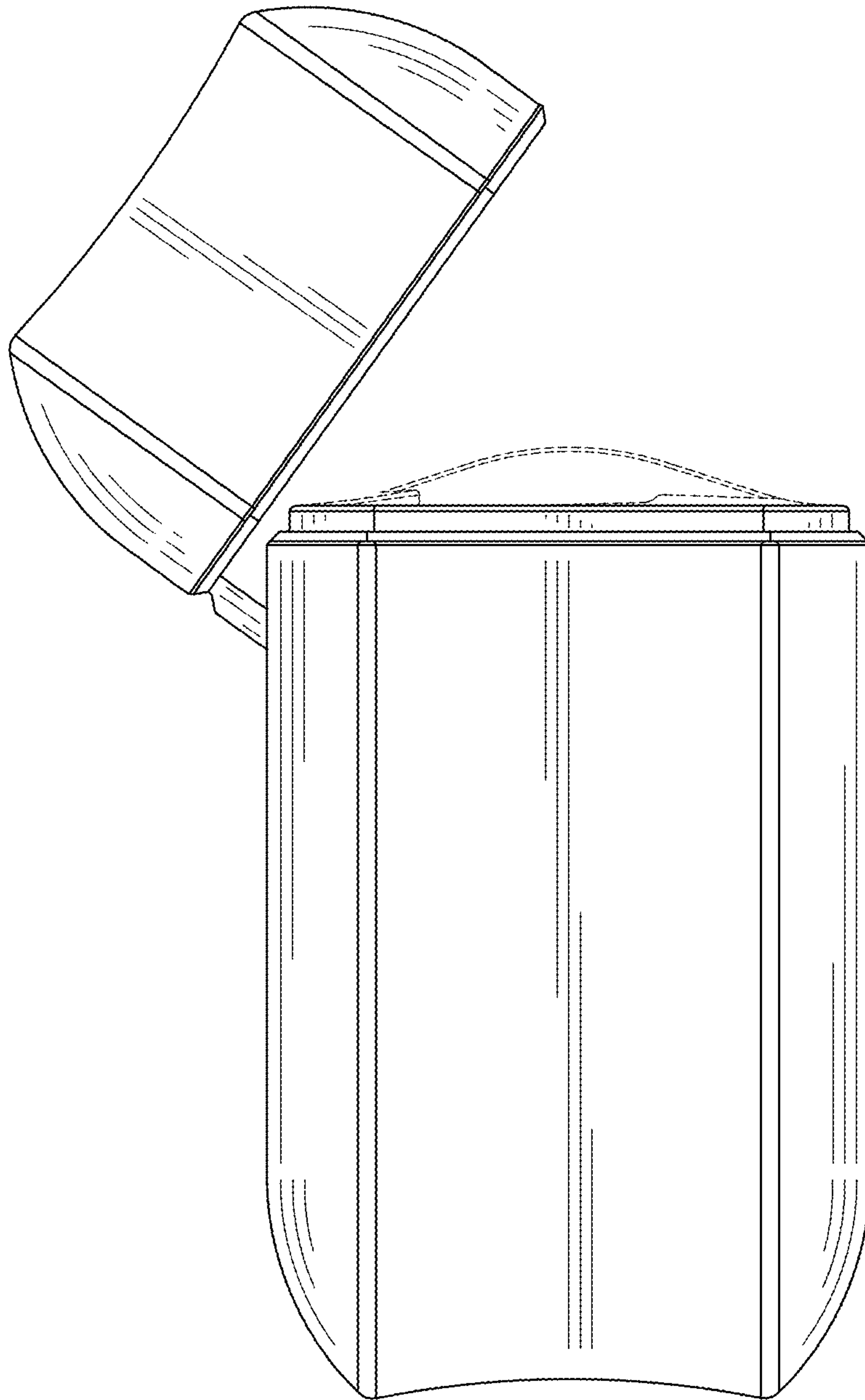


FIG. 9

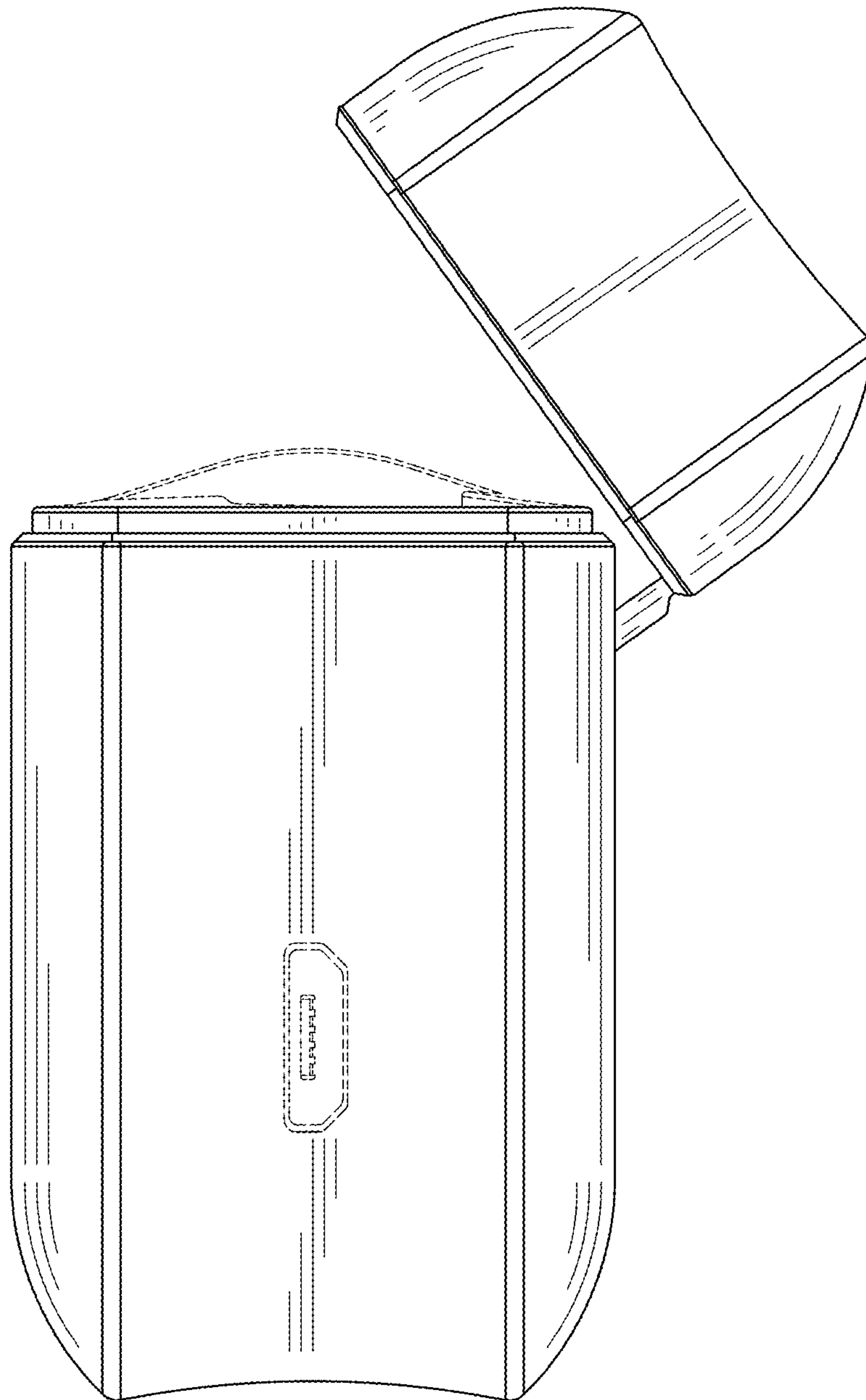


FIG. 10

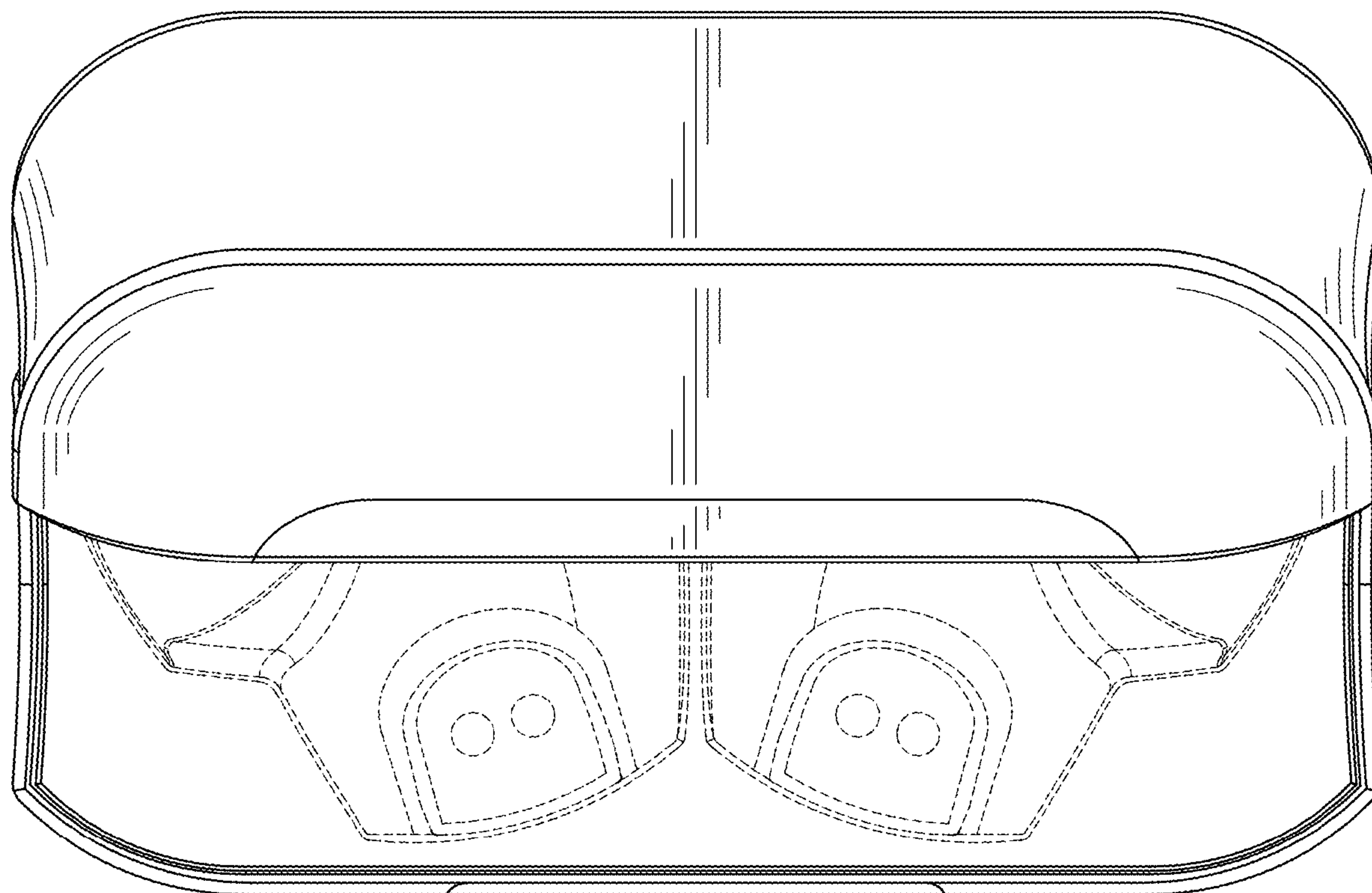


FIG. 11

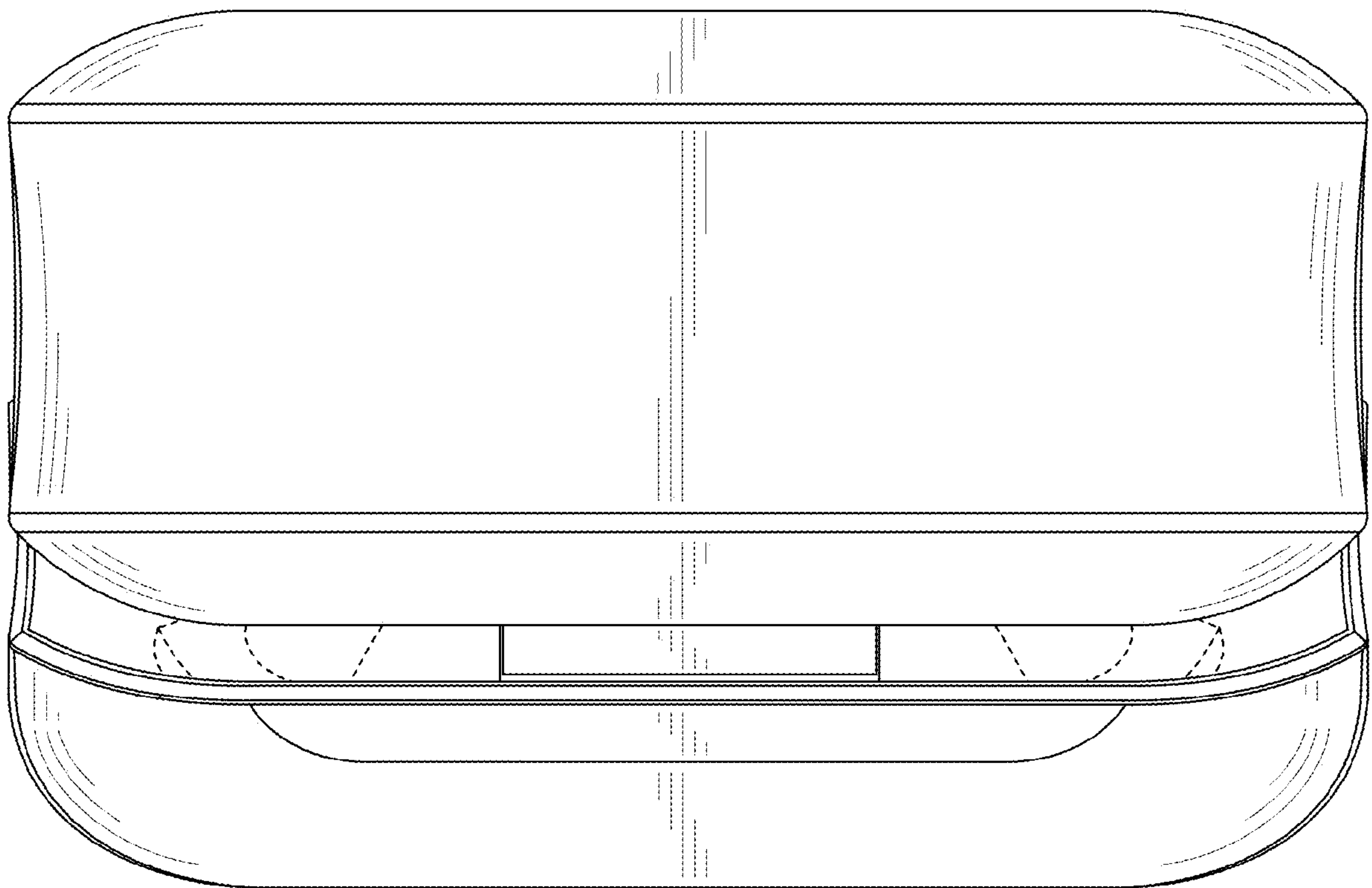


FIG. 12

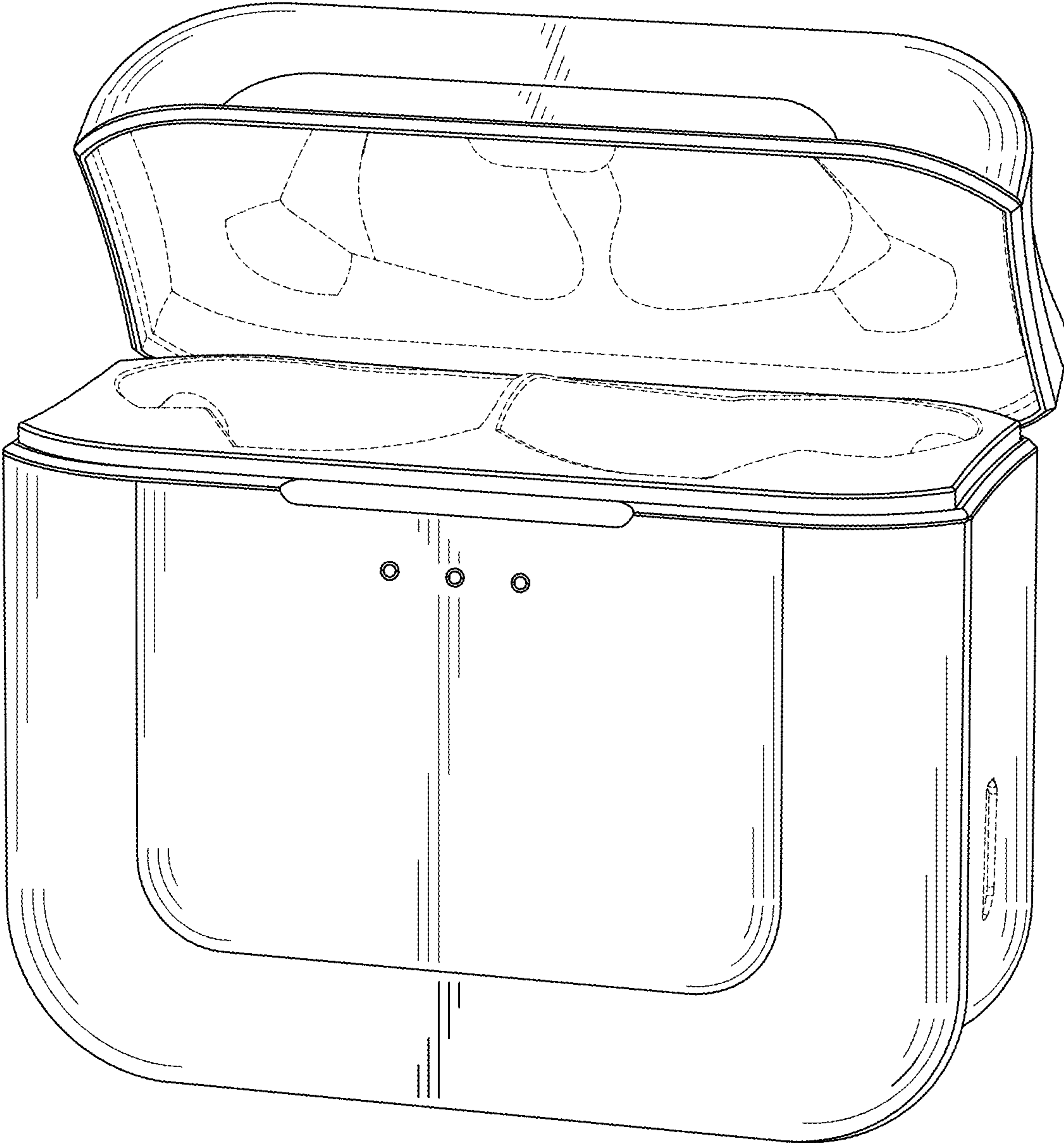


FIG. 13