



US00D931604S

(12) **United States Design Patent** (10) **Patent No.:** **US D931,604 S**  
**Thibadeau** (45) **Date of Patent:** **\*\* Sep. 28, 2021**

(54) **BAG**  
(71) Applicant: **Thule Sweden AB**, Hillerstorp (SE)  
(72) Inventor: **Mark Thibadeau**, Boulder, CO (US)  
(73) Assignee: **Thule Sweden AB**, Hillerstorp (SE)  
(\*\*) Term: **15 Years**

D588,809 S 3/2009 Shor et al.  
D596,398 S 7/2009 Chu et al.  
D623,857 S 9/2010 Austin  
D655,084 S 3/2012 Shor et al.  
D889,829 S \* 7/2020 Thibadeau ..... D3/283  
D901,169 S \* 11/2020 Thibadeau ..... D3/217  
D904,021 S \* 12/2020 Sanz ..... D3/283  
2004/0045781 A1 3/2004 Scicluna et al.  
2010/0288591 A1\* 11/2010 Drew ..... A45C 3/02  
190/109

(21) Appl. No.: **29/740,908**  
(22) Filed: **Jul. 8, 2020**

**Related U.S. Application Data**

(63) Continuation of application No. 29/659,066, filed on Aug. 6, 2018, now Pat. No. Des. 889,829.  
(51) **LOC (13) Cl.** ..... **03-01**  
(52) **U.S. Cl.**  
USPC ..... **D3/283**; D3/289; D3/900; D3/287  
(58) **Field of Classification Search**  
USPC ..... D3/217, 226, 273, 276, 283, 285, 287,  
D3/289, 290, 301, 900, 905, 260  
CPC ..... A45C 11/00; A45C 3/001; A45C 13/02;  
A45C 2013/026  
See application file for complete search history.

(56) **References Cited**

**U.S. PATENT DOCUMENTS**

D116,165 S 8/1939 Kaufmann  
D390,004 S 2/1998 Tawil  
D417,782 S 12/1999 Tawil  
D441,533 S 5/2001 Tawil  
D445,252 S 7/2001 Klamm  
D447,631 S \* 9/2001 Hillman ..... D3/276  
D472,378 S \* 4/2003 Hassett ..... D3/263  
D498,924 S \* 11/2004 Karl ..... D3/287  
D505,012 S 5/2005 Godshaw et al.  
D543,028 S 5/2007 Dumas  
D548,965 S 8/2007 Aliberti et al.

**OTHER PUBLICATIONS**

Amazon, "Thule Crossover 2 Laptop Bag 15.6", Black, 17.3x5.9x12.6 in", First on sale Oct. 3, 2018. (<https://www.amazon.com/Thule-Crossover-Laptop-15-6-Black/dp/B07H5JHWNB>)(Year: 2018).\*

(Continued)

*Primary Examiner* — April Rivas

(74) *Attorney, Agent, or Firm* — Sterne, Kessler, Goldstein & Fox P.L.L.C.

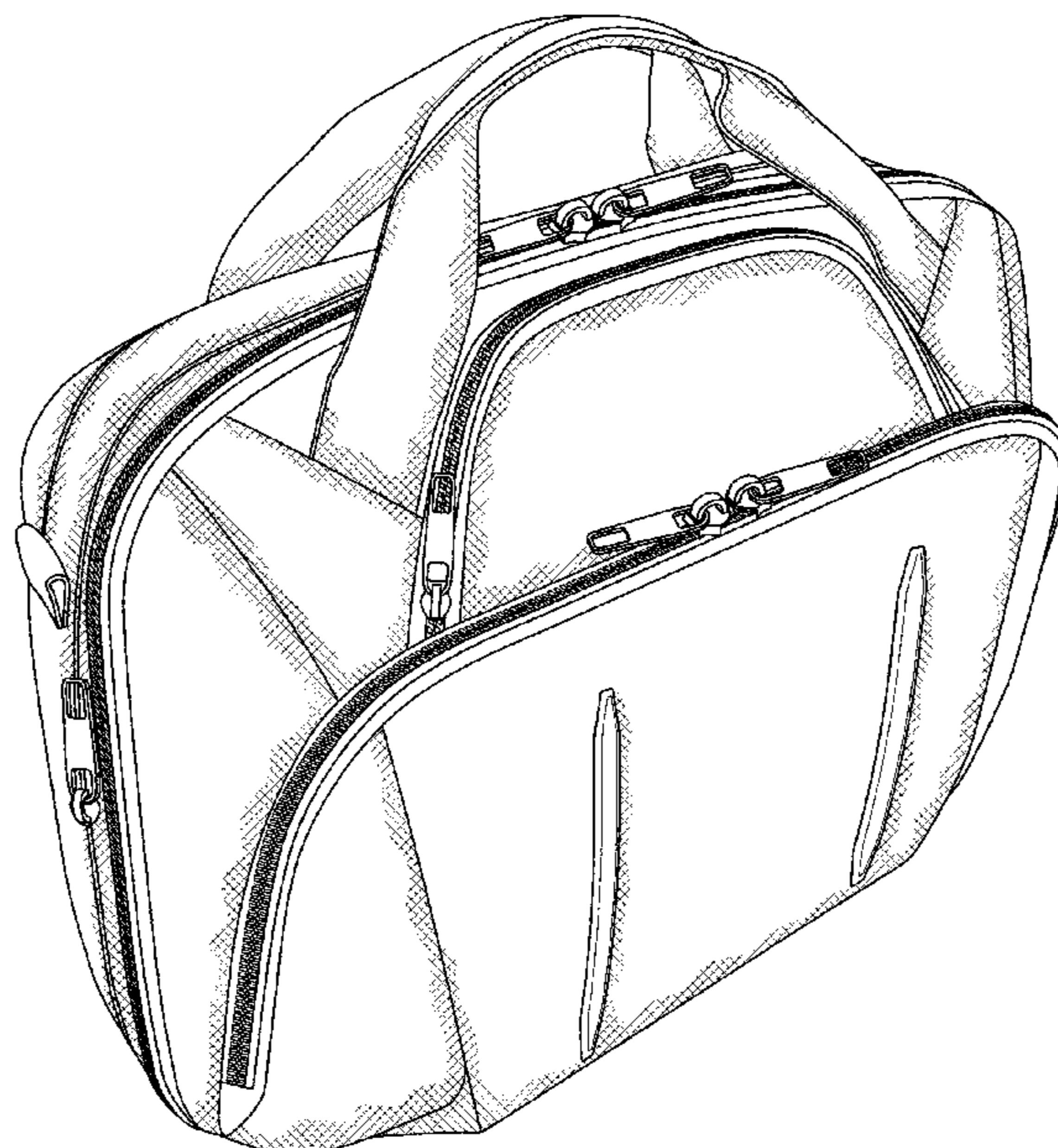
(57) **CLAIM**

The ornamental design for a bag, as shown and described.

**DESCRIPTION**

FIG. 1 is a top front perspective view of a bag showing the claimed design;  
FIG. 2 is a front view thereof;  
FIG. 3 is a rear view thereof;  
FIG. 4 is a left side view thereof;  
FIG. 5 is a right side view thereof;  
FIG. 6 is a top view thereof;  
FIG. 7 is a bottom view thereof; and,  
FIG. 8 is a top front perspective view thereof with the shoulder strap in use for reference.  
The broken lines in the figures show portions of the bag that form no part of the claimed design.

**1 Claim, 8 Drawing Sheets**



(56)

**References Cited**

OTHER PUBLICATIONS

Amazon, "Thule Crossover 40-Litre Duffel Pack by Thule," Amazon.com, Feb. 24, 2012, Available here <[https://www.amazon.com/Thule-Crossover-Liter-Duffel-Pack/dp/B002ZHCV6W/ref=sr\\_1\\_1?ie=UTF8&qid=1542227011&sr=8-1&keywords=Thule+Crossover+40-Litre+Duffel+Pack&dpID=51znsXwX7wL&preST=\\_SY300\\_QL70\\_&dpSrc=srch](https://www.amazon.com/Thule-Crossover-Liter-Duffel-Pack/dp/B002ZHCV6W/ref=sr_1_1?ie=UTF8&qid=1542227011&sr=8-1&keywords=Thule+Crossover+40-Litre+Duffel+Pack&dpID=51znsXwX7wL&preST=_SY300_QL70_&dpSrc=srch)>.

Amazon, "Thule Crossover 38-Litre Rolling Carry-On by Thule," Amazon.com, Mar. 16, 2013, Available here <[https://www.amazon.com/Thule-3201502-Crossover-Compartment-TCRU-115/dp/B007S0P4XS/ref=sr\\_1\\_2?ie=UTF8&qid=1542227049&sr=8-2&keywords=thule+crossover+38-litre+rolling+carry-on&dpID=51T11xCGnEL&preST=\\_SY300\\_QL70\\_&dpSrc=srch](https://www.amazon.com/Thule-3201502-Crossover-Compartment-TCRU-115/dp/B007S0P4XS/ref=sr_1_2?ie=UTF8&qid=1542227049&sr=8-2&keywords=thule+crossover+38-litre+rolling+carry-on&dpID=51T11xCGnEL&preST=_SY300_QL70_&dpSrc=srch)>.

Amazon, "Thule Crossover 2 Laptop Bag 13.3", Amazon.com, Oct. 1, 2018, Available here <<https://www.amazon.com/Thule-Crossover-Laptop-Bag-13-3/dp/B07HXX9TMC>>.

\* cited by examiner

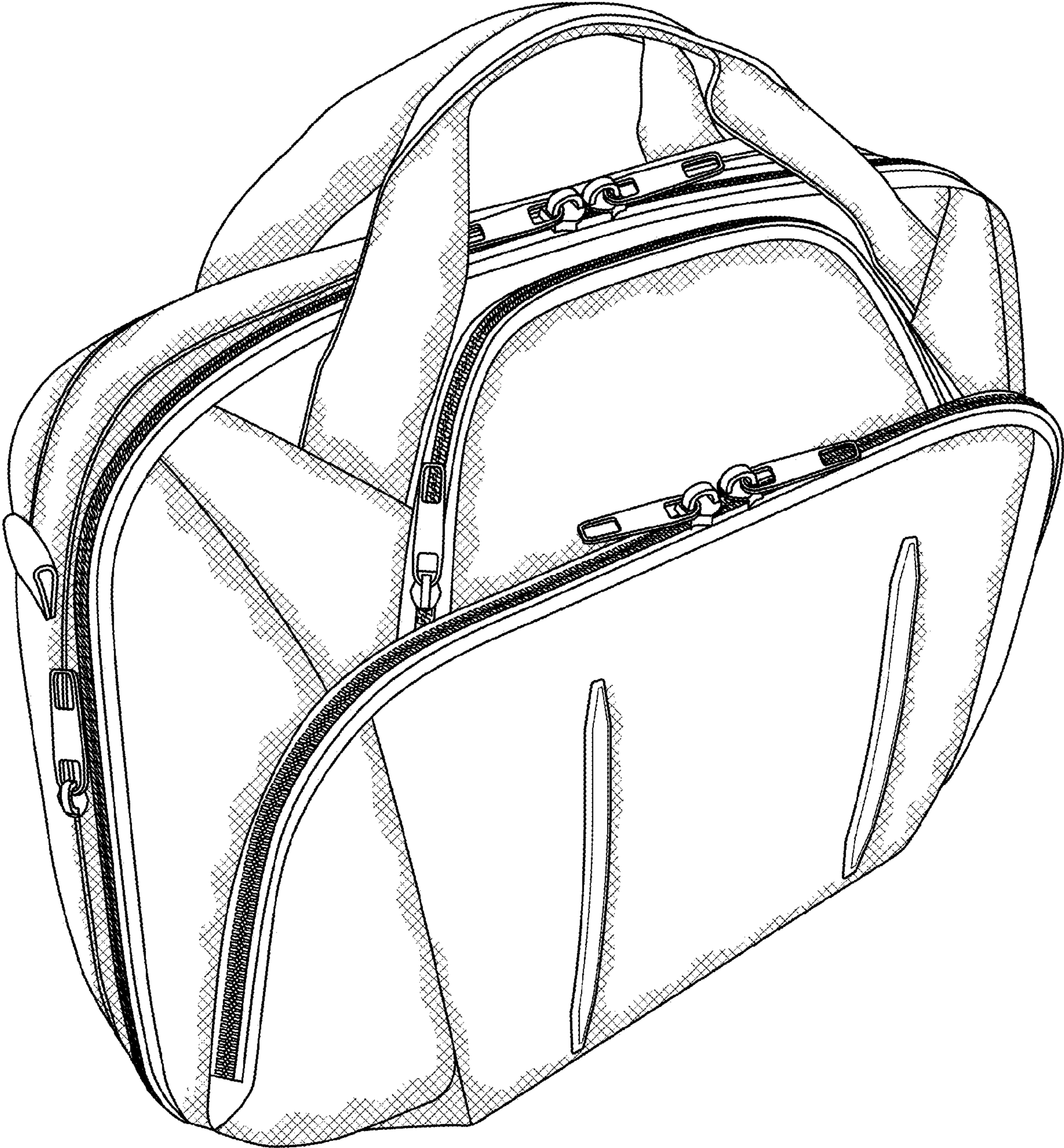


FIG. 1

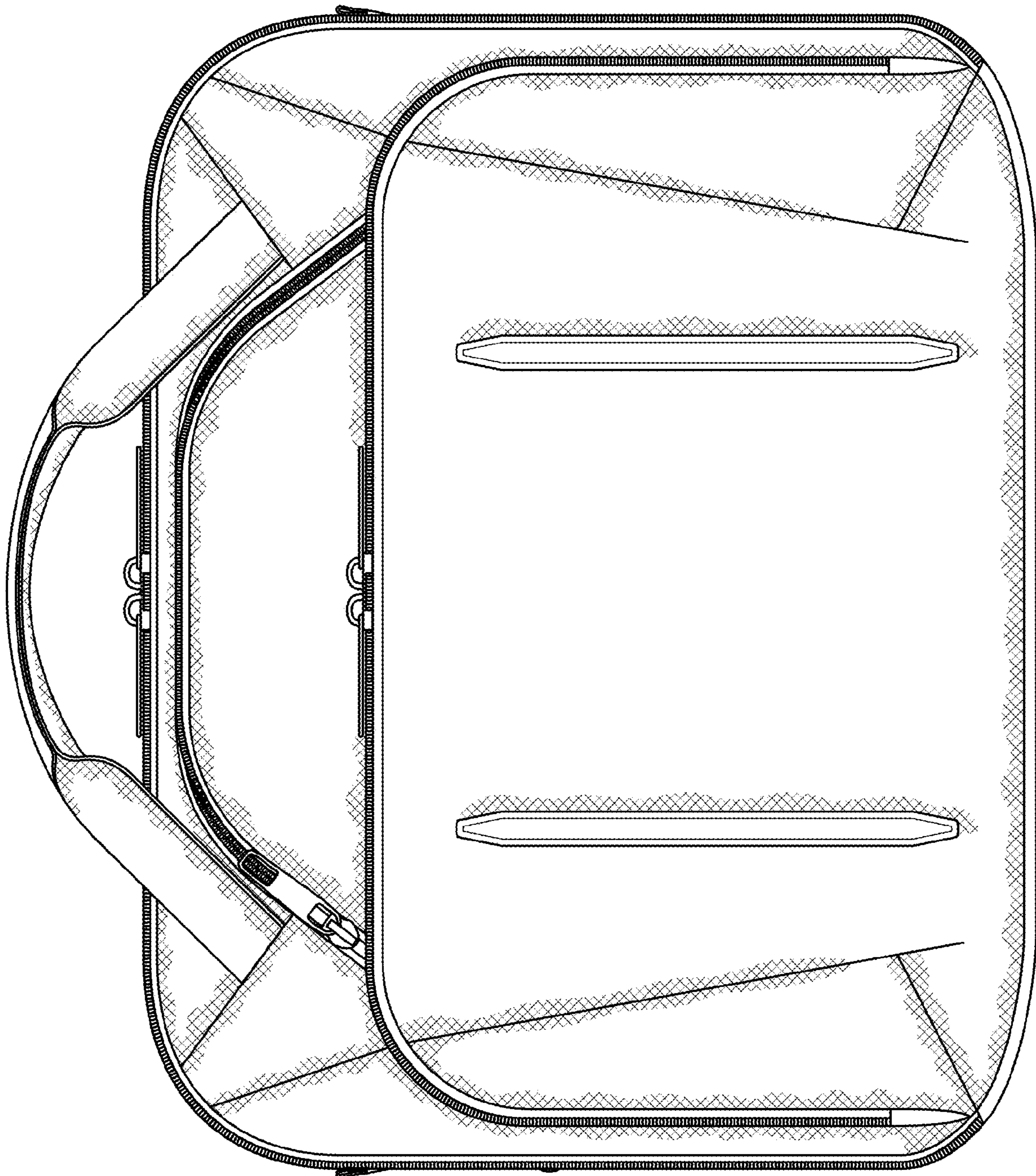


FIG. 2

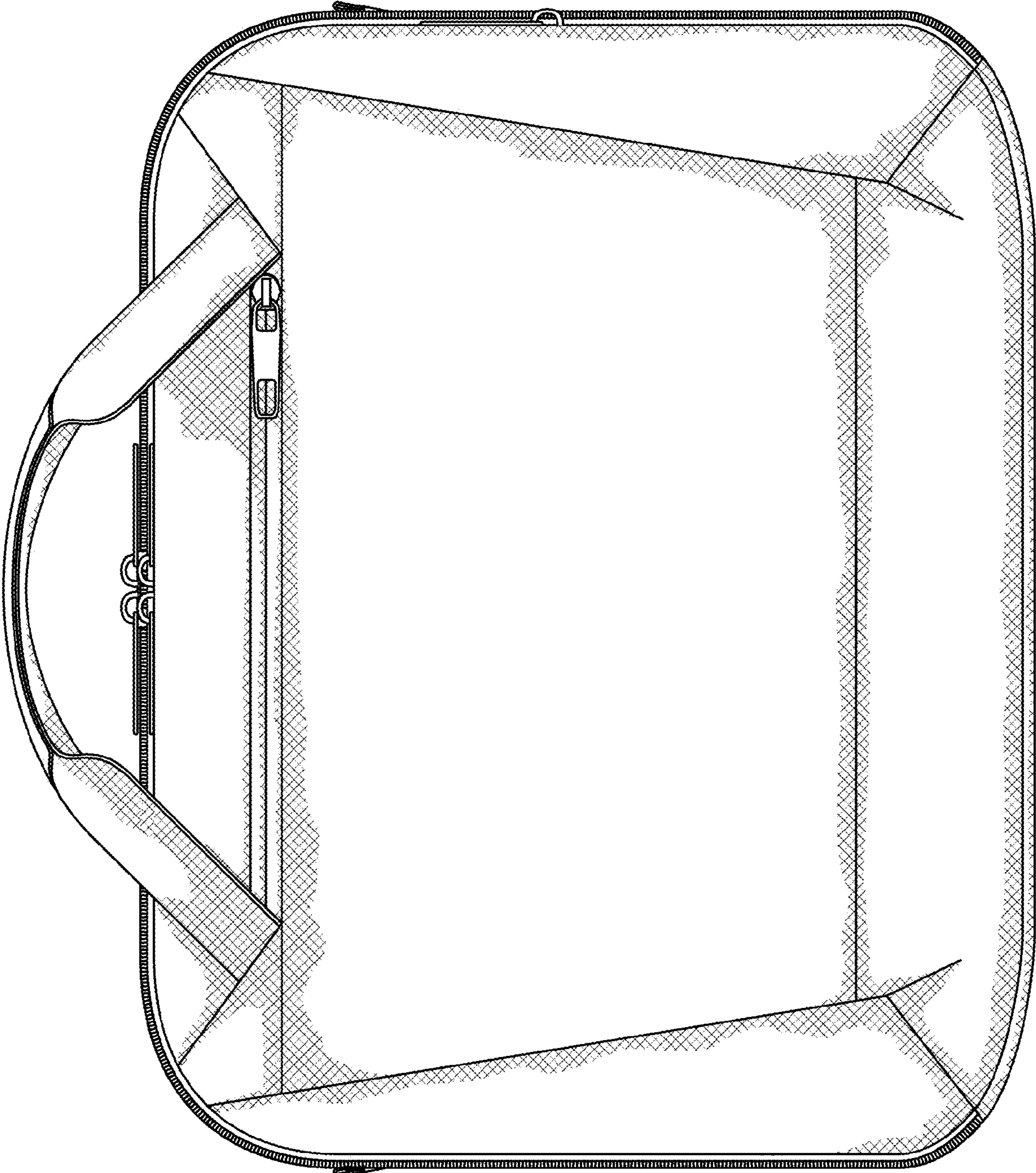


FIG. 3

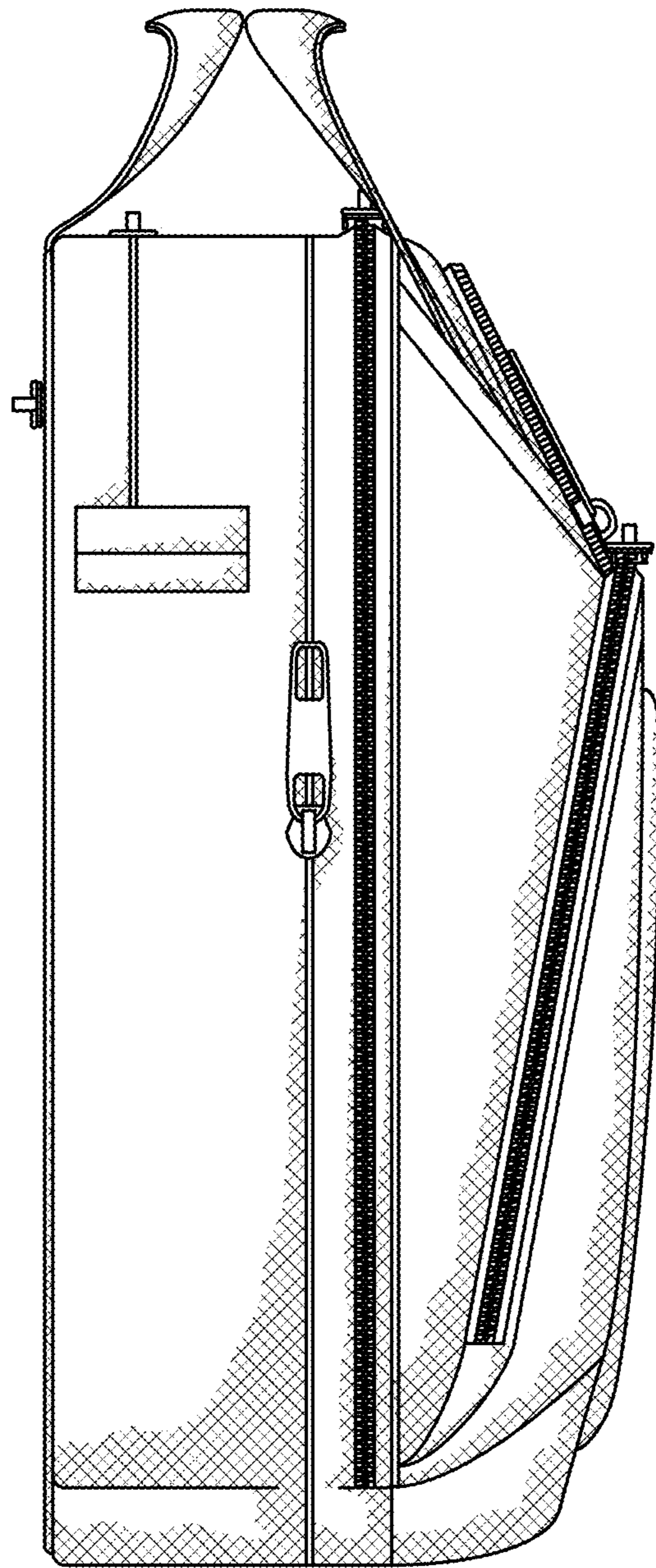


FIG. 4

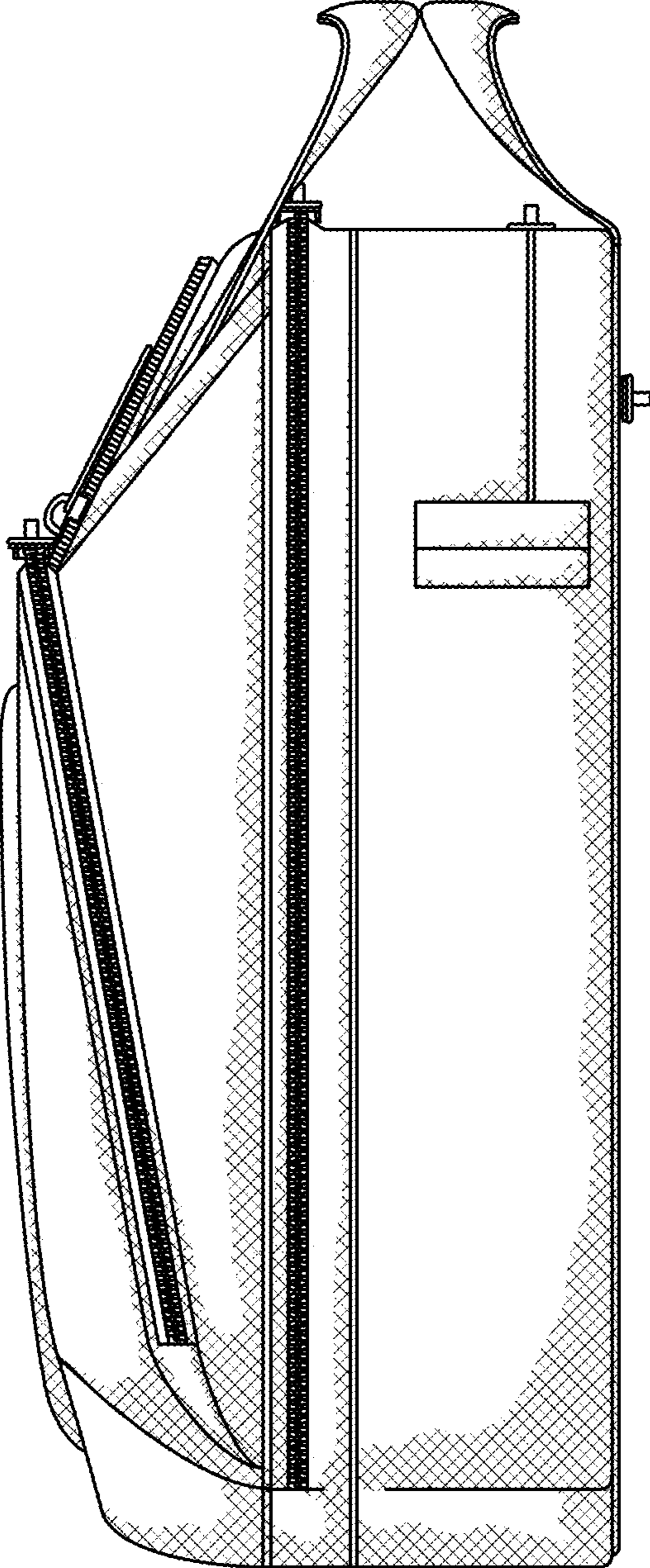


FIG. 5

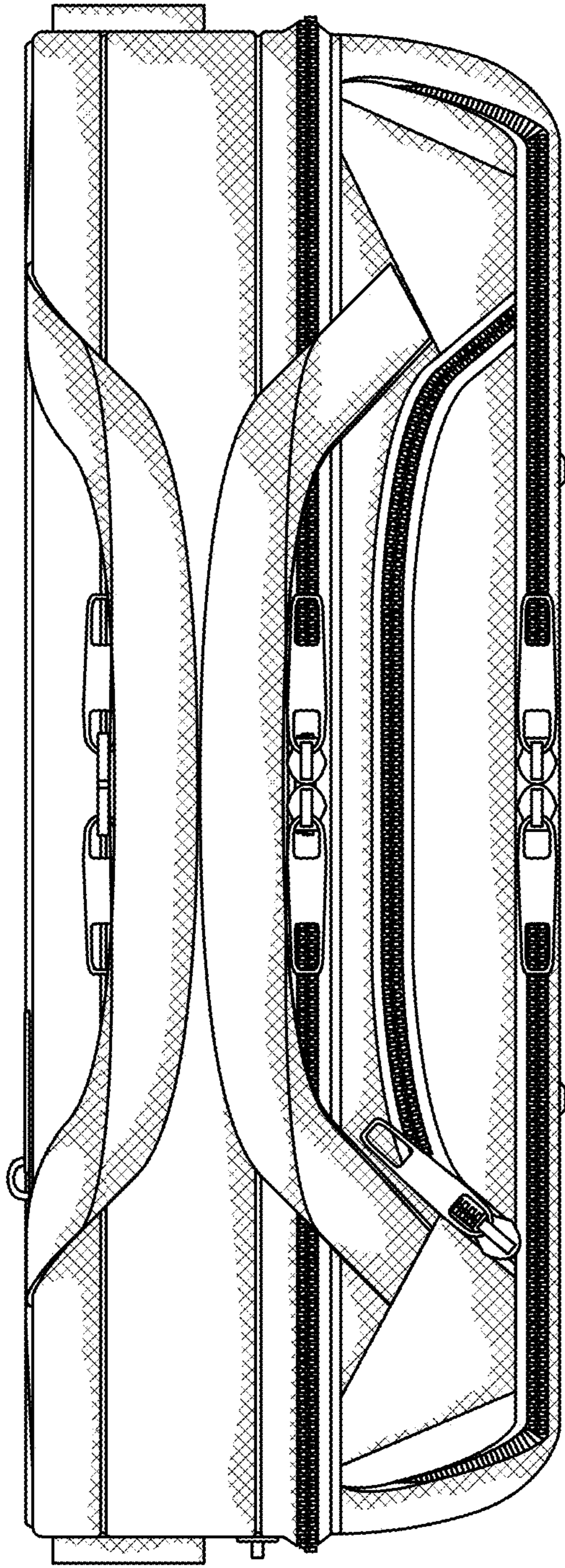


FIG. 6



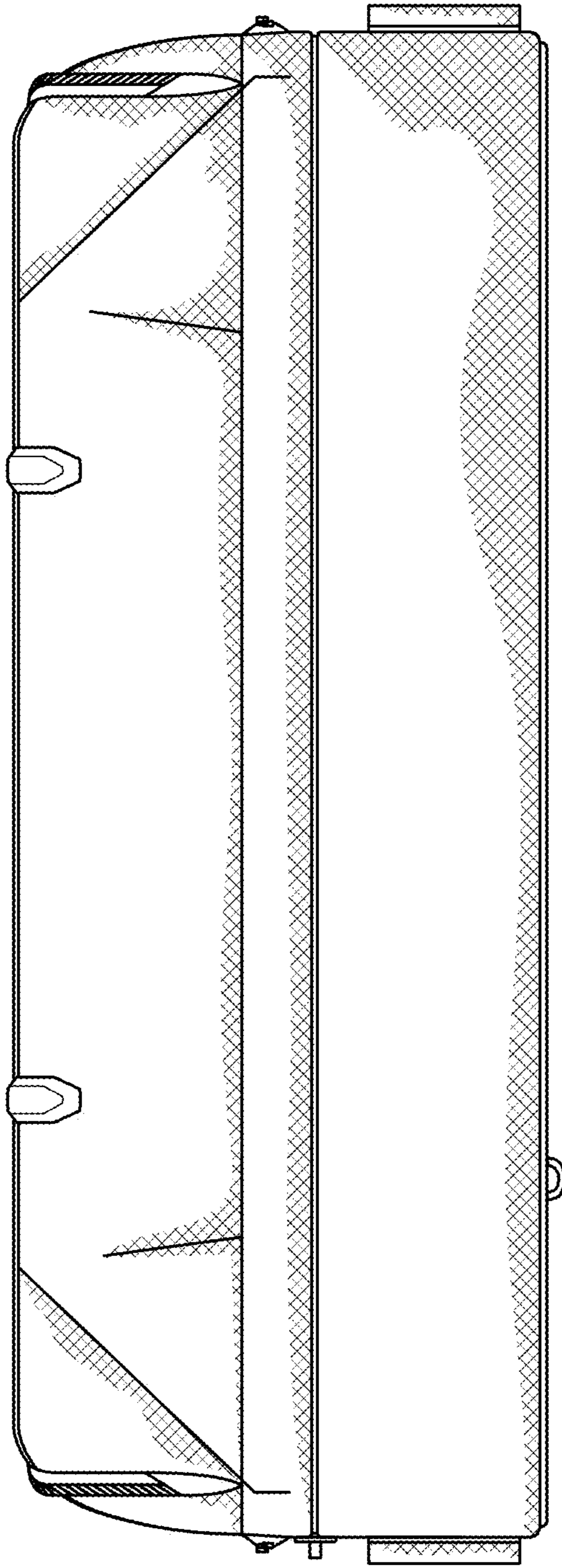


FIG. 7

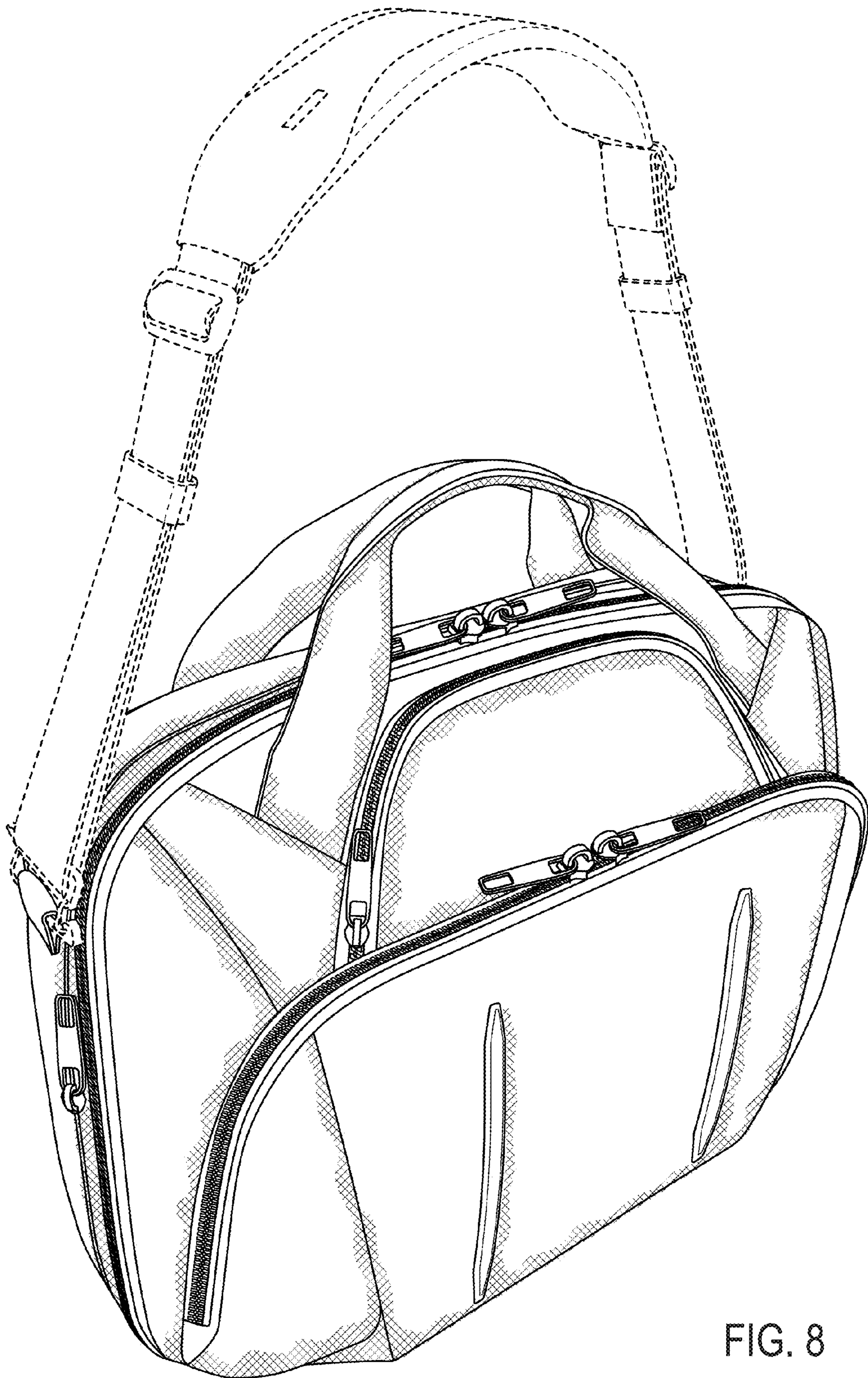


FIG. 8