



US00D931603S

(12) **United States Design Patent** (10) **Patent No.:** **US D931,603 S**  
**Ding** (45) **Date of Patent:** **\*\* Sep. 28, 2021**

(54) **STORAGE BOX**

(71) Applicant: **Yihang Ding**, Qingtongxia (CN)

(72) Inventor: **Yihang Ding**, Qingtongxia (CN)

(\*\*) Term: **15 Years**

(21) Appl. No.: **29/764,950**

(22) Filed: **Jan. 5, 2021**

(51) **LOC (13) Cl.** ..... **03-01**

(52) **U.S. Cl.**  
USPC ..... **D3/273; D3/302**

(58) **Field of Classification Search**  
USPC ..... D3/20, 24, 25, 274, 276, 291, 302, 905,  
D3/294, 201, 203.1, 203.2, 273, 295, 298,  
D3/318, 901, 902, 903, 217  
CPC ..... A45F 3/48; B65D 50/04; A45C 2011/001;  
A45C 2011/003  
See application file for complete search history.

(56) **References Cited**

**U.S. PATENT DOCUMENTS**

D392,563 S *	3/1998	Iwanaga .....	D9/422
D477,219 S *	7/2003	Waterhouse .....	D9/430
D637,138 S *	5/2011	Ehrat .....	D12/413
D660,584 S *	5/2012	Cross .....	D3/216
D672,955 S *	12/2012	Benshetrit .....	D3/279
D726,405 S *	4/2015	Nassanian .....	D3/216
D800,989 S	10/2017	Lucido	
D806,395 S *	1/2018	Jacob .....	D3/321
D843,713 S *	3/2019	Li .....	D3/217
D848,146 S	5/2019	Kincade et al.	
D861,693 S *	10/2019	Ranade .....	D14/432
D864,567 S	10/2019	Kincade et al.	
D899,087 S	10/2020	Kuhls	
D899,773 S	10/2020	Hu	

**OTHER PUBLICATIONS**

Amazon, "SARLAR Design Fashion Hard Carrying Case for Oculus Quest 2 . . . ", First on sale Jan. 9, 2021. (<https://www.amazon.com/dp/B08SK899LW/>) (Year: 2021).\*

Amazon, "Oculus Quest 2 Case SARLAR Hard Chest Shoulder Backpack . . . ", First on sale Nov. 3, 2020. (<https://www.amazon.com/SARLAR-Shoulder-Backpack-Controllers-Acessories/dp/B08MLNFYXY>) (Year: 2020).\*

Amazon, "Alienware Vindicator 2.0 Gaming Laptop Backpack . . . ", First on sale Sep. 1, 2016. (<https://www.amazon.com/dp/B01LDIFEXU>) (Year: 2016).\*

\* cited by examiner

*Primary Examiner* — April Rivas

(74) *Attorney, Agent, or Firm* — Che-Yang Chen; Law Office of Michael Chen

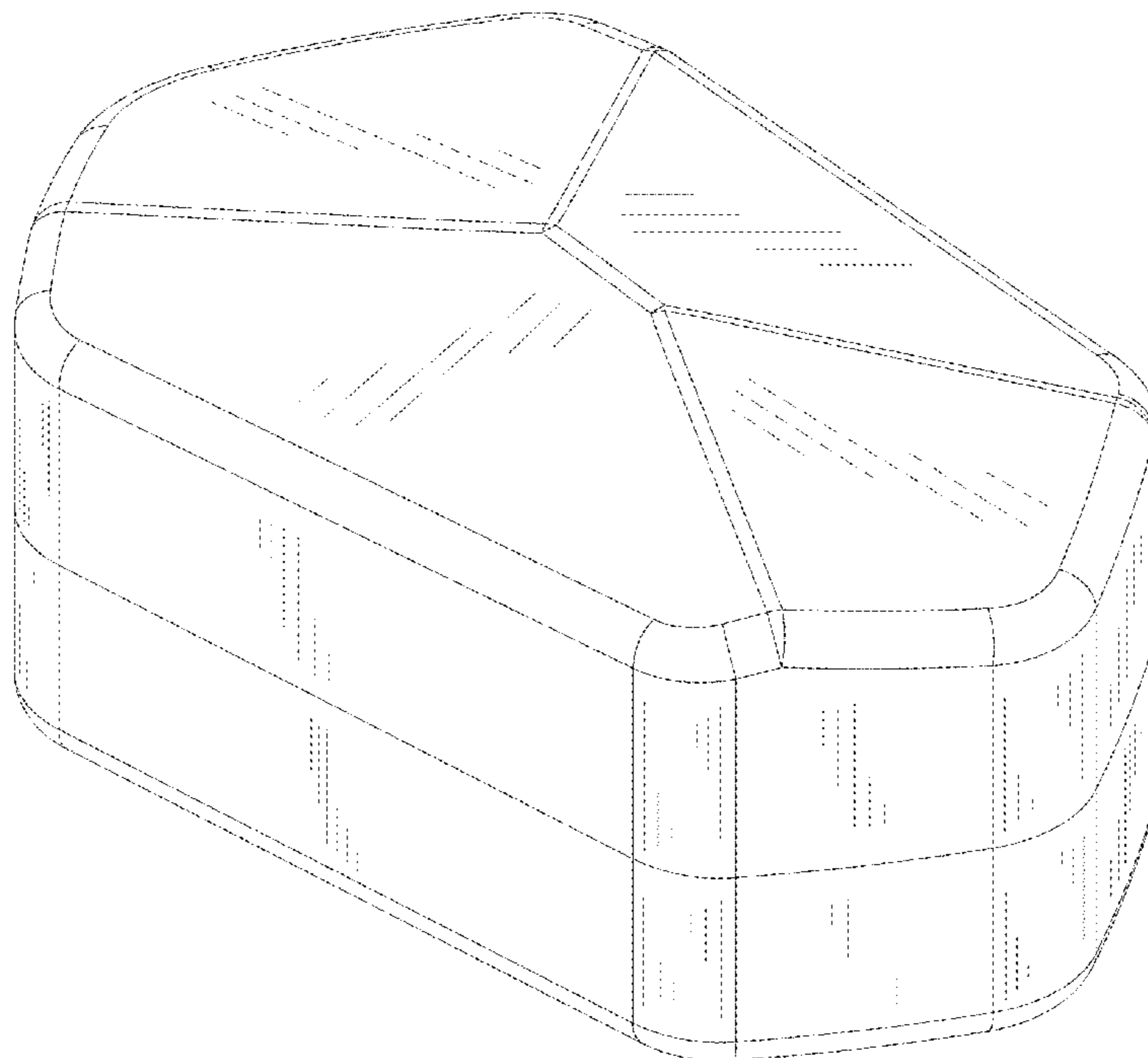
(57) **CLAIM**

The ornamental design for a storage box, as shown and described.

**DESCRIPTION**

FIG. 1 is a perspective view of the storage box showing my new design;  
FIG. 2 is a front elevational view thereof;  
FIG. 3 is a rear elevational view thereof;  
FIG. 4 is a left side elevational view thereof;  
FIG. 5 is a right side elevational view thereof;  
FIG. 6 is a top plan view thereof; and,  
FIG. 7 is a bottom plan view thereof.

**1 Claim, 7 Drawing Sheets**



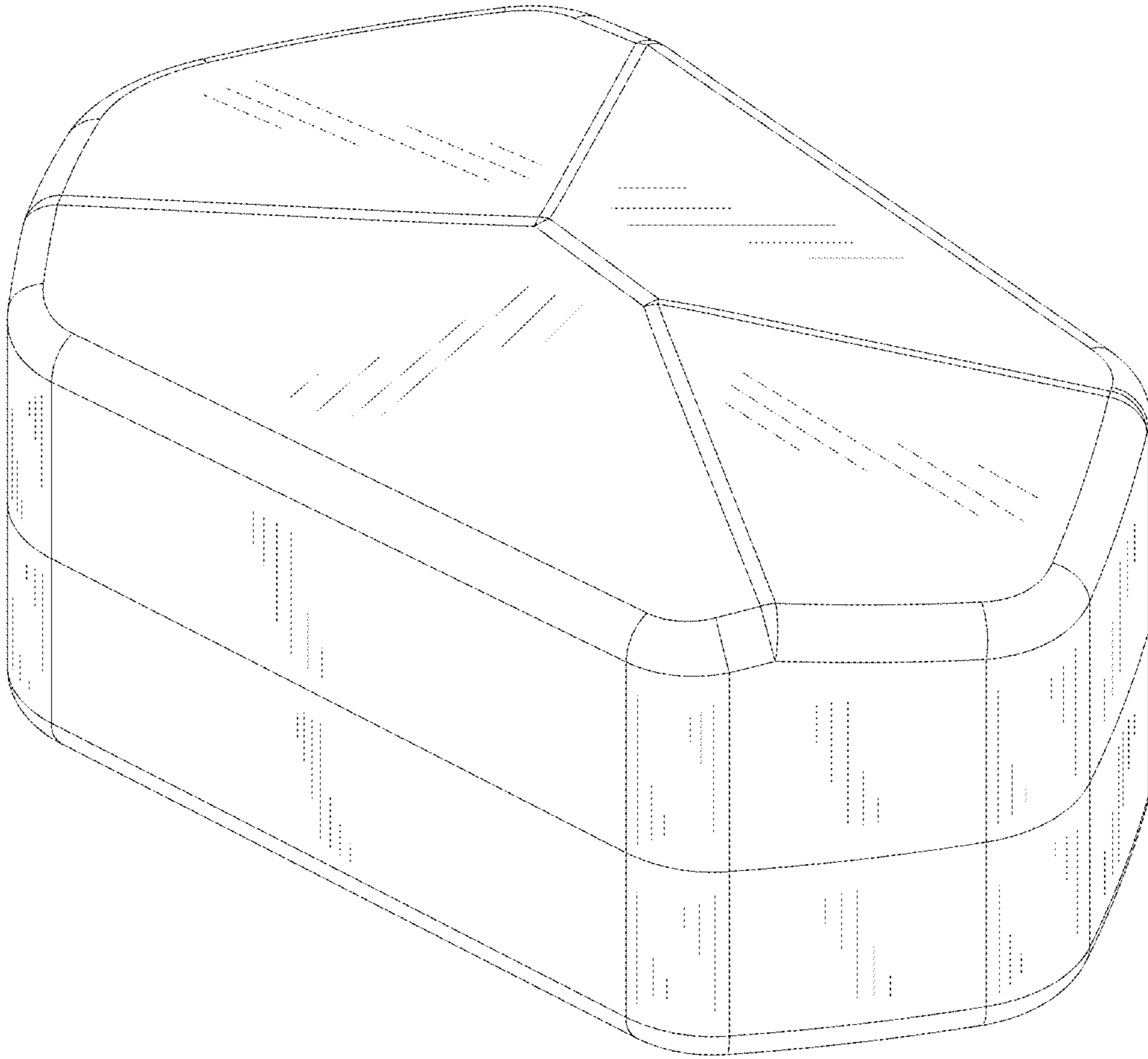


FIG.1

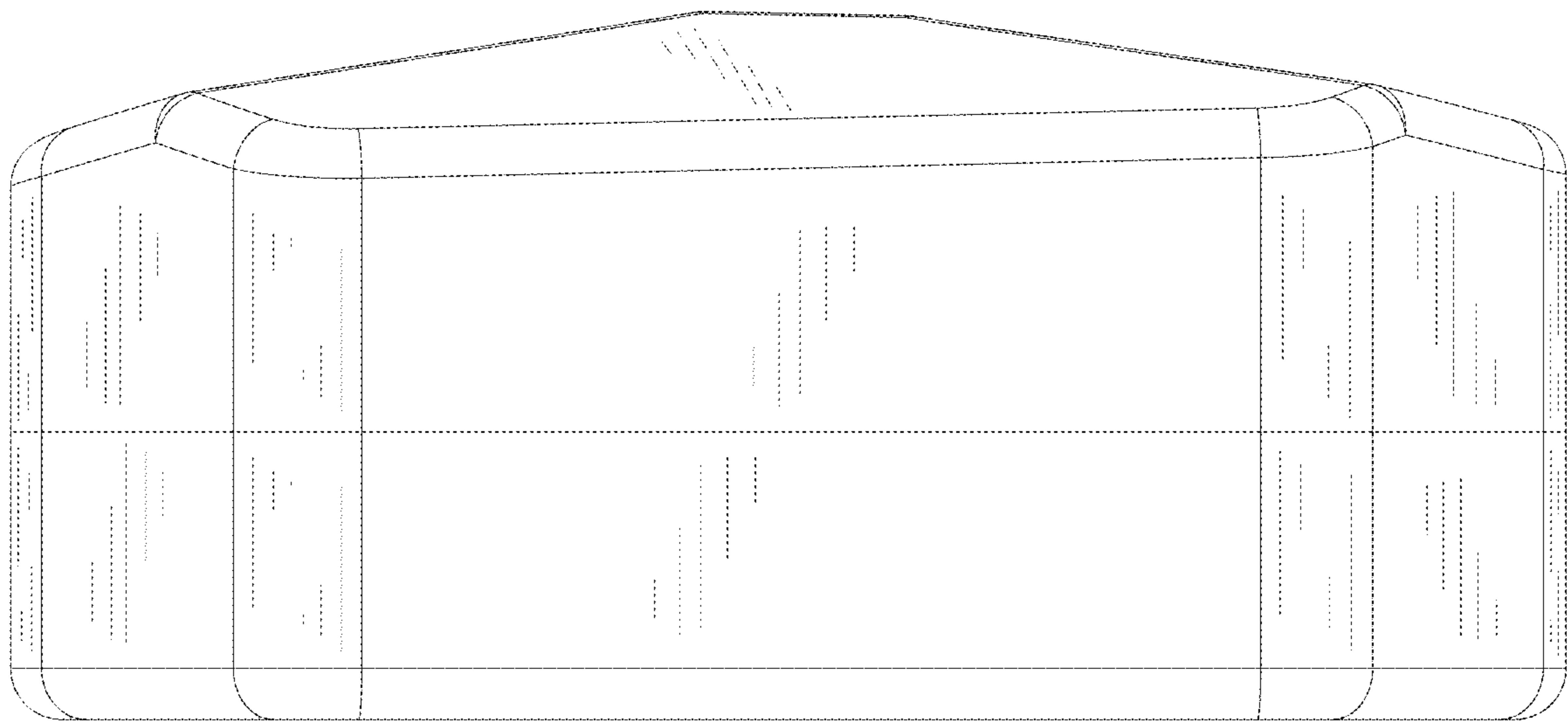


FIG. 2

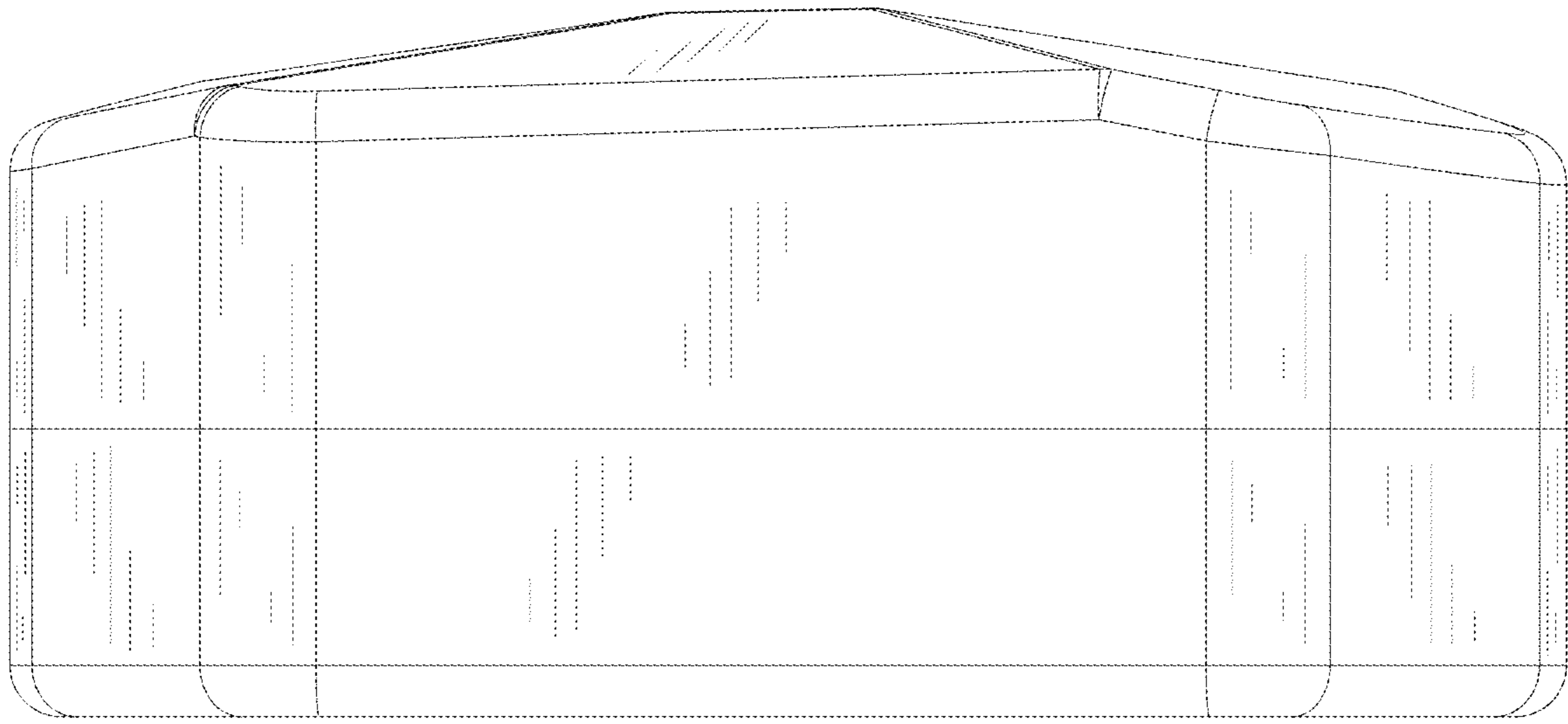


FIG. 3

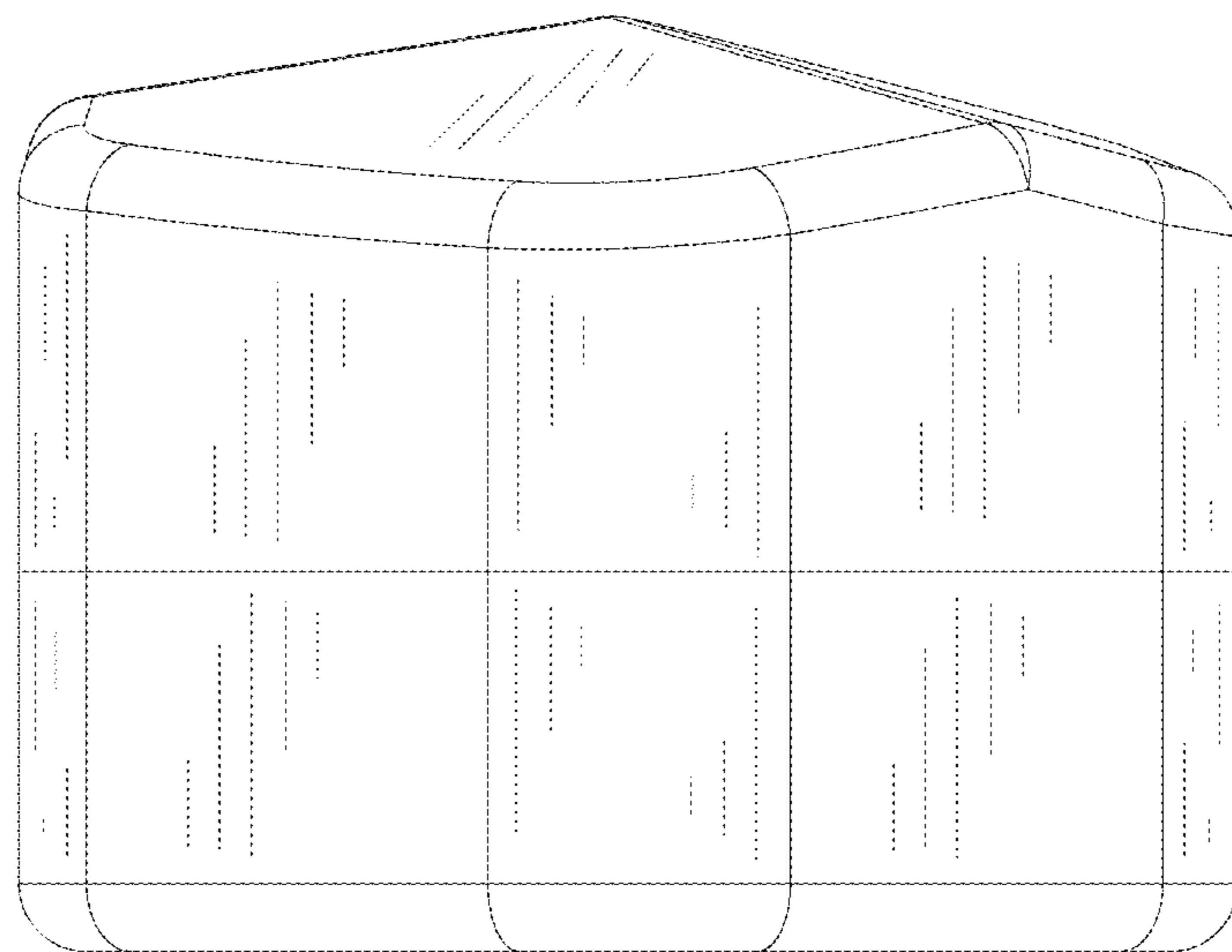


FIG. 4

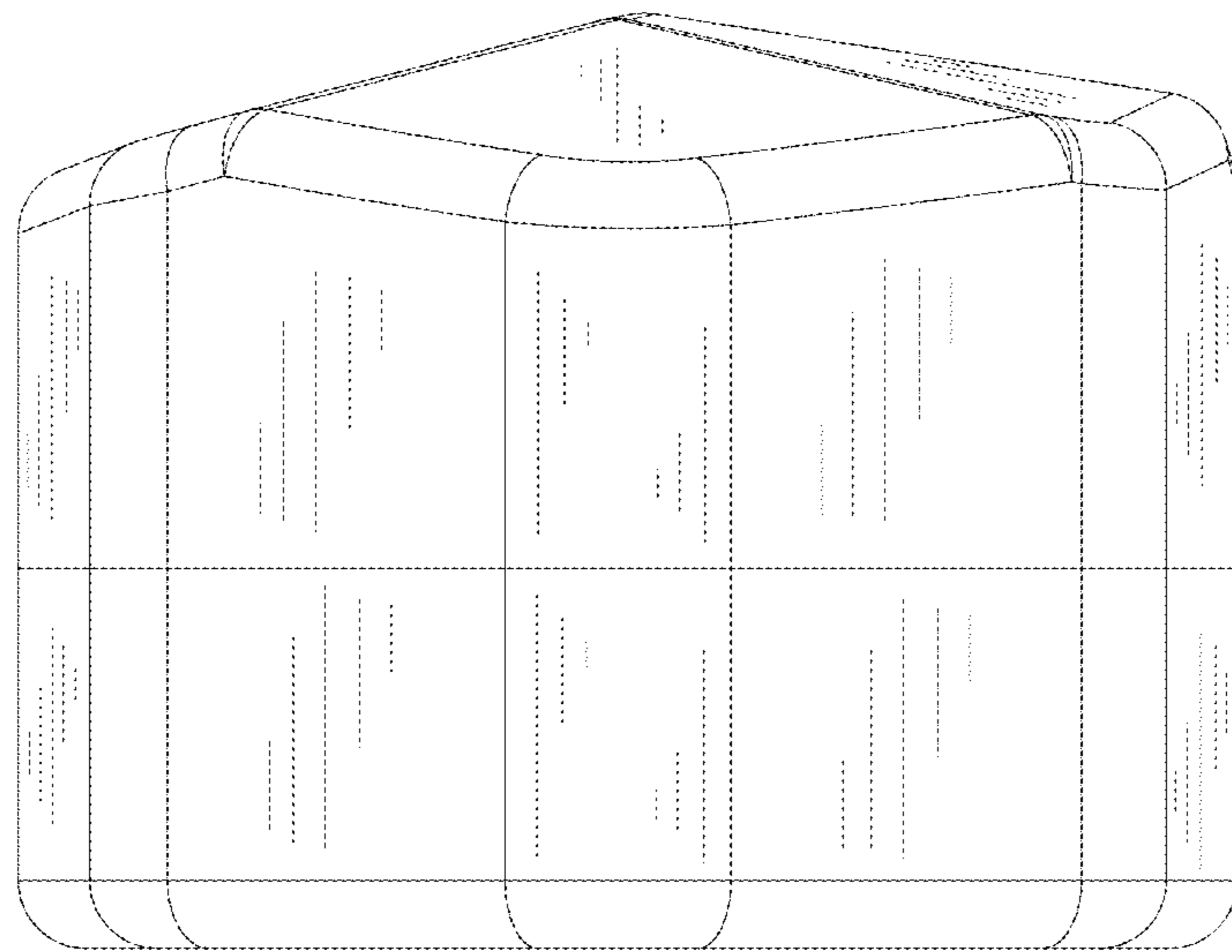


FIG. 5

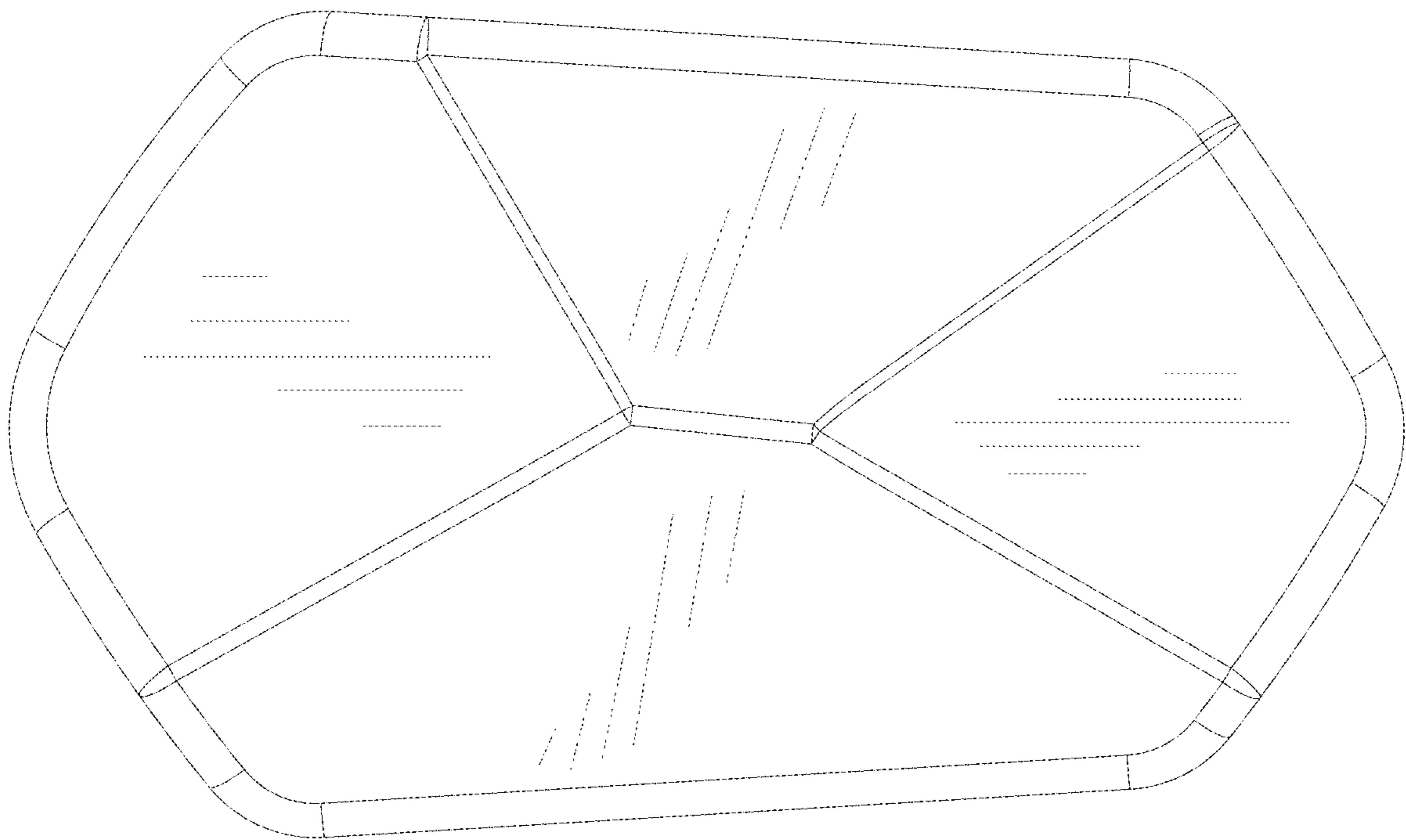


FIG.6

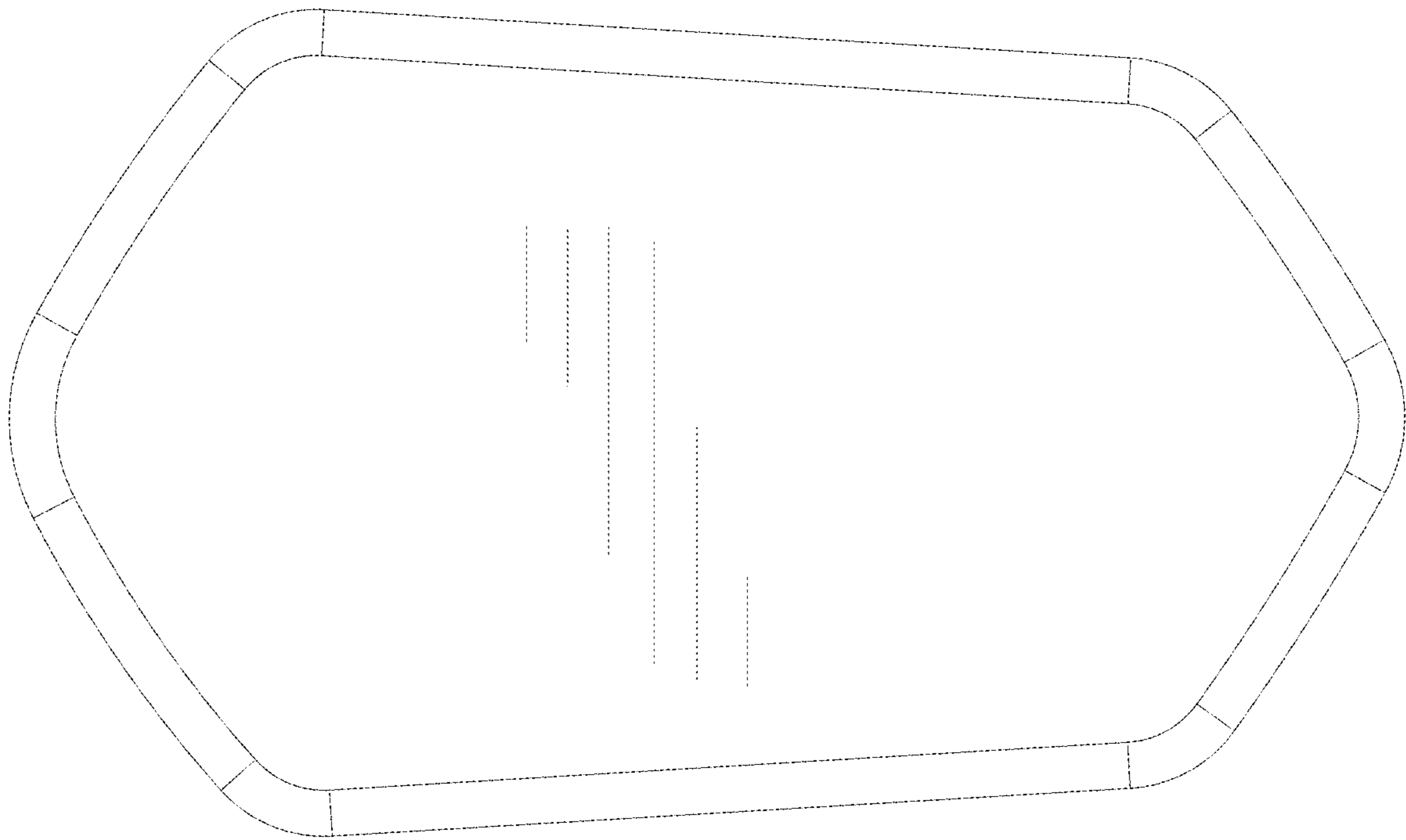


FIG. 7