



US00D931602S

(12) **United States Design Patent**  
**Hedrick et al.**

(10) **Patent No.:** **US D931,602 S**  
(45) **Date of Patent:** **\*\* Sep. 28, 2021**

(54) **CARD CASE**  
(71) Applicant: **Tecovas, Inc.**, Austin, TX (US)  
(72) Inventors: **Paul Hedrick**, Austin, TX (US);  
**Andrew M. Bosway**, Austin, TX (US)  
(73) Assignee: **Tecovas, Inc.**, Austin, TX (US)  
(\*\*) Term: **15 Years**

D694,009 S \* 11/2013 D'Amore ..... D3/249  
D707,965 S \* 7/2014 Requa ..... D3/247  
D756,116 S \* 5/2016 McDaniel ..... D3/247  
D832,832 S \* 11/2018 Lamb ..... D14/250  
D846,280 S \* 4/2019 Bo ..... D3/303  
D872,994 S \* 1/2020 Chen ..... D3/247  
D889,122 S \* 7/2020 Fitzgerald ..... D3/247  
D903,312 S \* 12/2020 Bauer ..... D3/247  
D910,310 S \* 2/2021 Mason ..... D3/303  
D910,311 S \* 2/2021 Howington ..... D3/303  
2021/0112936 A1\* 4/2021 Moyer ..... A45C 1/06

(21) Appl. No.: **29/720,752**  
(22) Filed: **Jan. 15, 2020**  
(51) **LOC (13) Cl.** ..... **03-01**  
(52) **U.S. Cl.**  
USPC ..... **D3/247; D3/303**  
(58) **Field of Classification Search**  
USPC ..... D3/203.1, 203.6, 207, 212, 215, 219,  
D3/226, 228, 247-253, 263, 265-266,  
D3/273, 276, 283-286, 289-303, 315,  
D3/905; D6/513, 553, 555; D19/95, 99;  
D14/250-252  
CPC .. A45C 1/06; A45C 1/024; A45C 3/00; A45C  
3/004; A45C 3/06; A45C 3/08; A45C  
2003/008; A45C 5/00; A45C 5/005; A45C  
5/04; A45C 11/00; A45C 11/16; A45C  
2011/002; A45C 13/00; A45C 13/002;  
A45C 13/0058; A45C 13/10; A45C  
13/18; A45C 13/30; A45F 5/00; A47C  
1/14; A47C 7/62; A47F 5/0006; A47F  
7/19; B25F 1/0006; B25F 5/029; B67B  
7/16; B67B 7/44; G09F 3/08  
See application file for complete search history.

(56) **References Cited**

**U.S. PATENT DOCUMENTS**

D342,829 S \* 1/1994 Mitchell ..... D3/253  
D636,991 S \* 5/2011 Corcagnani ..... D3/266  
D694,007 S \* 11/2013 D'Amore ..... D3/247

**OTHER PUBLICATIONS**

Calfskin Card Case, unknown first available date, tecovas.com [online], [site visited May 17, 2021], Available at internet URL: <https://www.tecovas.com/products/calfskin-card-case?variant=13933485391981> (Year: 2021).\*

(Continued)

*Primary Examiner* — Jeffrey D Asch  
*Assistant Examiner* — Caitlin A Laverty  
(74) *Attorney, Agent, or Firm* — Banner & Witcoff, Ltd.

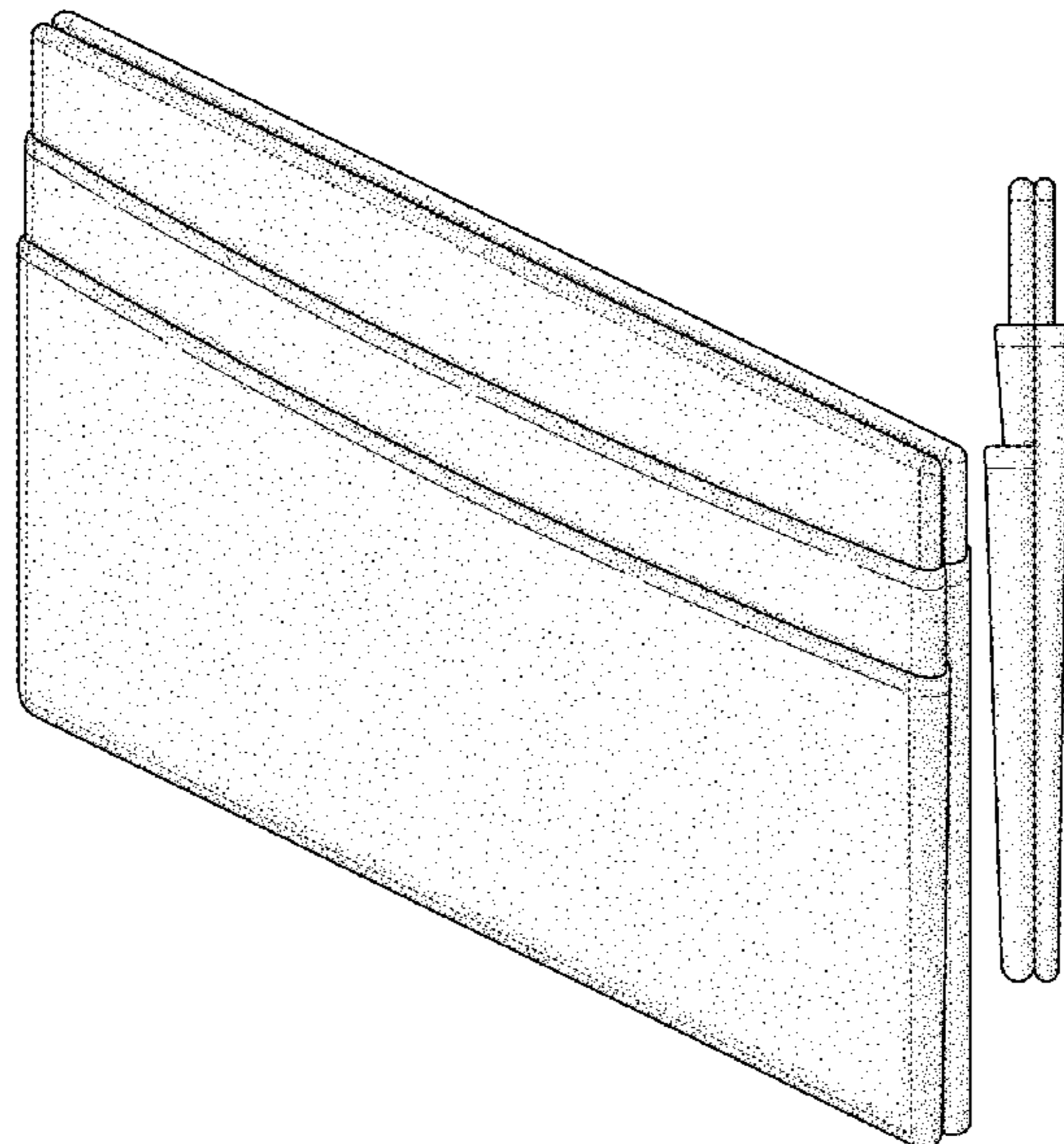
(57) **CLAIM**

The ornamental design for a card case, as shown and described.

**DESCRIPTION**

FIG. 1 is a front perspective view of a card case showing our new design;  
FIG. 2 is a front view thereof;  
FIG. 3 is a rear view thereof;  
FIG. 4 is a side view thereof;  
FIG. 5 is an opposite side view thereof;  
FIG. 6 is a top view thereof; and,  
FIG. 7 is a bottom view thereof.  
The even-length broken lines within the shaded area represent stitching.

**1 Claim, 3 Drawing Sheets**



(56)

**References Cited**

OTHER PUBLICATIONS

MEKU Slim Leather Wallet . . . , first available May 28, 2015, amazon.com [online], [site visited May 17, 2021], Available at internet URL: [https://www.amazon.com/MEKU-Pocket-Leather-Business-Minimalist/dp/B00YEEZJQI/ref=sr\\_1\\_56?dchild=1&keywords=slim+card+holder&qid=1620908352&sr=8-56](https://www.amazon.com/MEKU-Pocket-Leather-Business-Minimalist/dp/B00YEEZJQI/ref=sr_1_56?dchild=1&keywords=slim+card+holder&qid=1620908352&sr=8-56) (Year: 2015).\*

Slim Card Case, unknown first available date, leatherology.com [online], [site visited May 17, 2021], Available at internet URL: [https://www.leatherology.com/slim-card-case-red-leather-scarlet/?gclid=EAAlalQobChMI3rXOkb7E8AIVTMqzCh0ZfQ7aEakYBiABEgl5fvD\\_BwE](https://www.leatherology.com/slim-card-case-red-leather-scarlet/?gclid=EAAlalQobChMI3rXOkb7E8AIVTMqzCh0ZfQ7aEakYBiABEgl5fvD_BwE) (Year: 2021).\*

Credit Card Holder Slim Wallet . . . , first available Sep. 25, 2018, amazon.com [online], [site visited May 17, 2021], Available at internet URL: [https://www.amazon.com/Credit-Holder-Wallet-Leather-Minimalist/dp/B07HQ9PN6R/ref=sr\\_1\\_9?dchild=1&keywords=slim%2Bcard%2Bholder&qid=1620908301&sr=8-9&th=1](https://www.amazon.com/Credit-Holder-Wallet-Leather-Minimalist/dp/B07HQ9PN6R/ref=sr_1_9?dchild=1&keywords=slim%2Bcard%2Bholder&qid=1620908301&sr=8-9&th=1) (Year: 2018).\*

\* cited by examiner

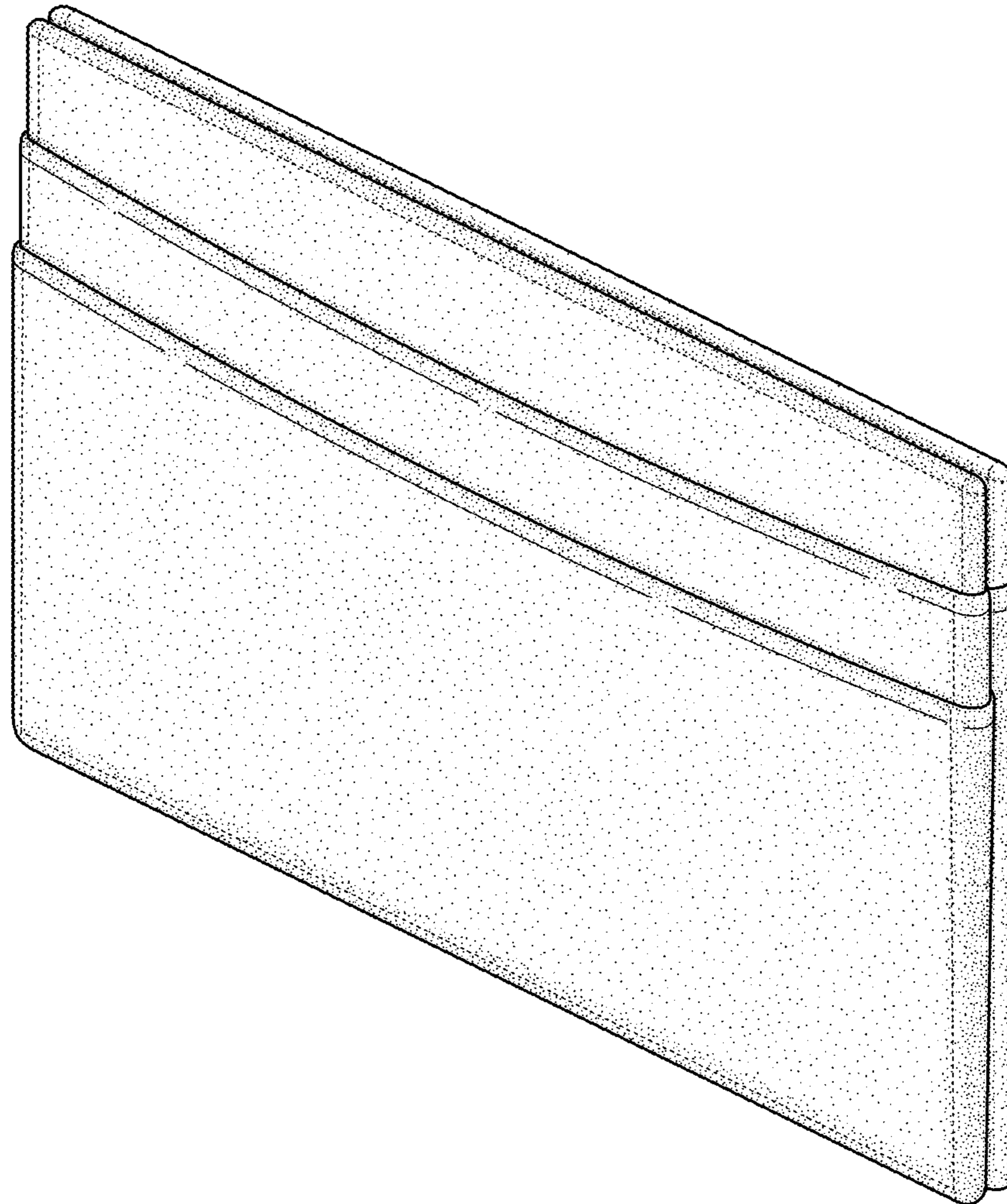


FIG. 1

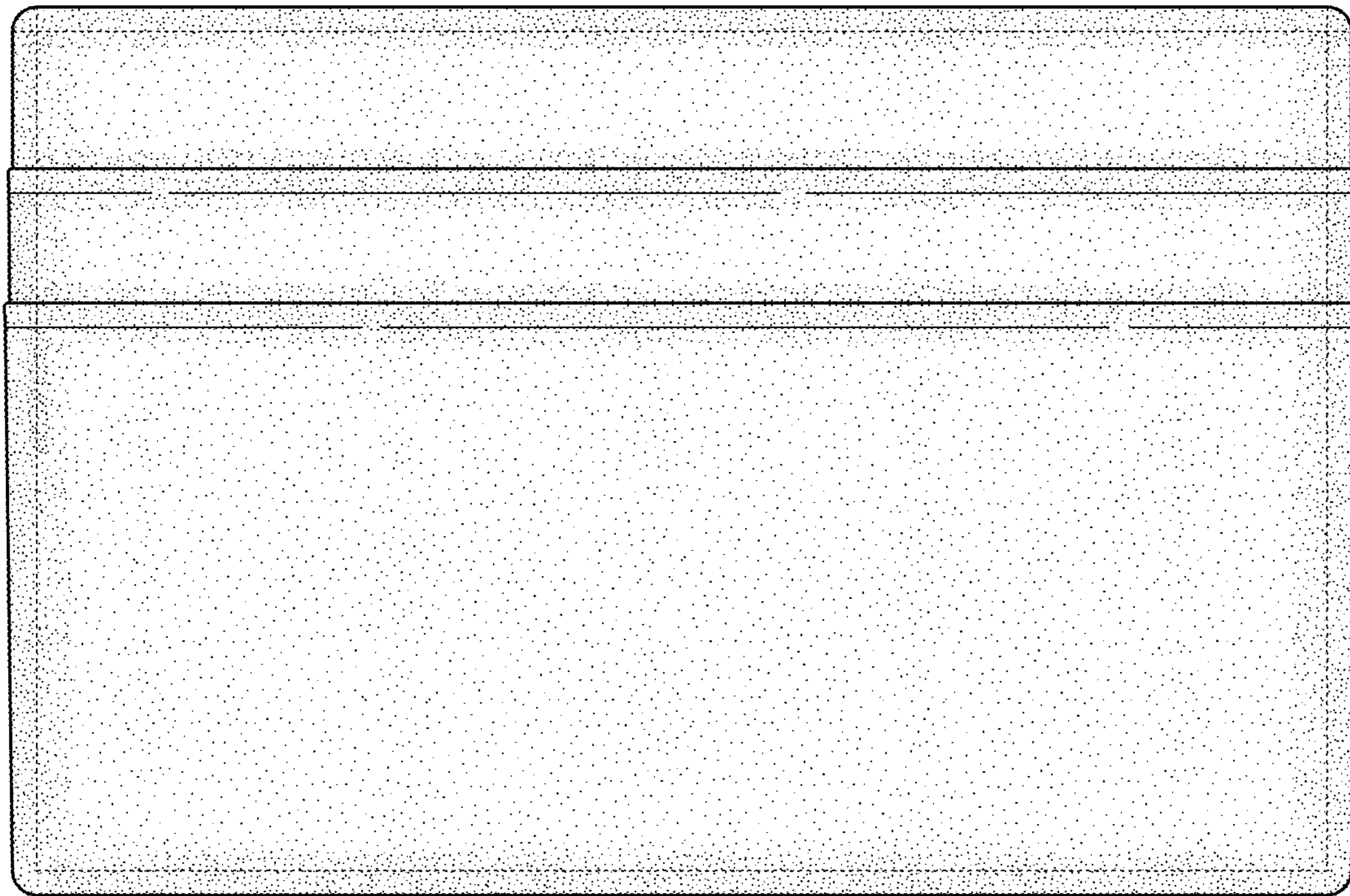


FIG. 2

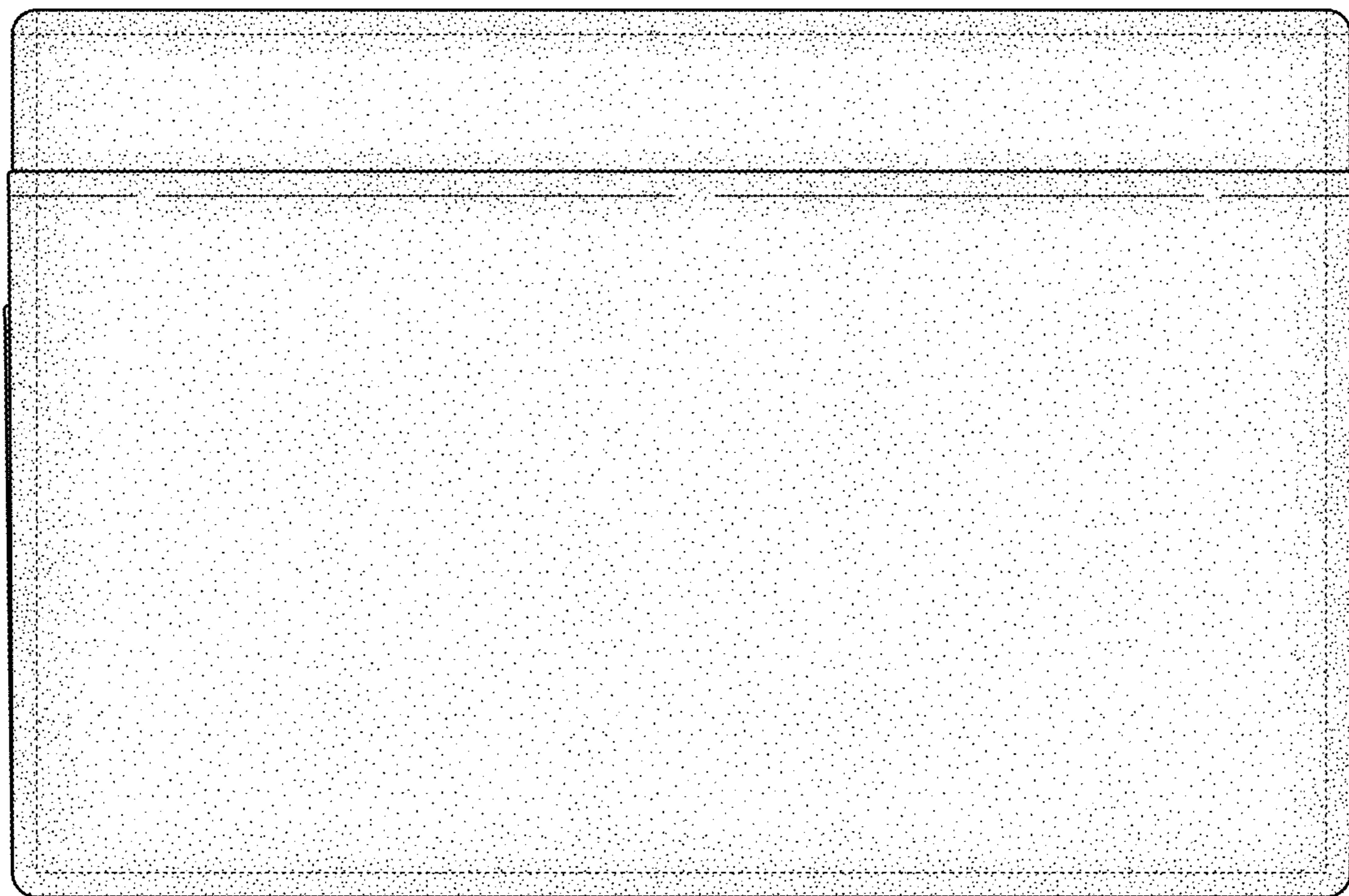


FIG. 3

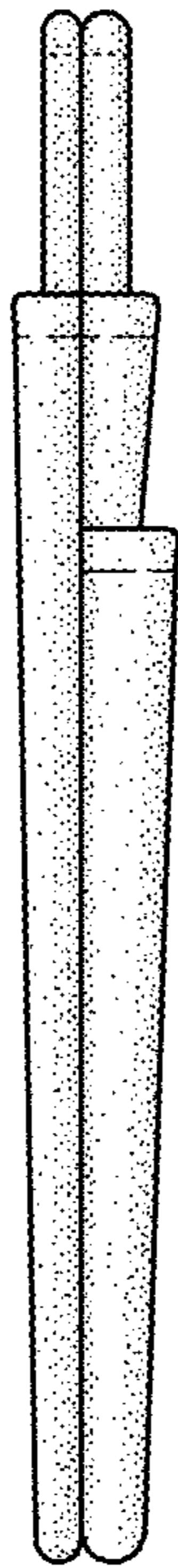


FIG. 4



FIG. 5



FIG. 6

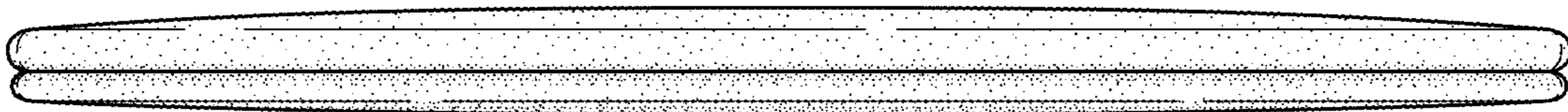


FIG. 7