



US00D931601S

(12) **United States Design Patent**
Chang

(10) **Patent No.:** **US D931,601 S**

(45) **Date of Patent:** **** Sep. 28, 2021**

(54) **COMBINED BAG AND STRAP**

(71) Applicant: **Teng-Yao Chang**, Taichung (TW)

(72) Inventor: **Teng-Yao Chang**, Taichung (TW)

(**) Term: **15 Years**

(21) Appl. No.: **29/720,698**

(22) Filed: **Jan. 15, 2020**

(51) **LOC (13) Cl.** **03-01**

(52) **U.S. Cl.**
USPC **D3/226**

(58) **Field of Classification Search**

USPC D3/215, 224, 226, 228, 299, 303;
2/91-92, 102; D2/501-502, 829, 866;
224/240, 600, 605, 625, 674-683, 901,
224/904, 930; 206/305, 320
CPC A41D 1/04; A41D 23/00; A41D 27/20;
A45F 5/00; A45F 5/02; A45F 5/021;
A45F 2200/05; A45F 2200/0508; A45F
2200/0516; A45F 2200/0525; A45F 3/02;
A45F 3/14

See application file for complete search history.

(56) **References Cited**

U.S. PATENT DOCUMENTS

2,870,448 A * 1/1959 Rosenthal A41D 1/04
2/91
D264,892 S * 6/1982 Stewart, Jr. D2/605
D376,252 S * 12/1996 Herring-Stanger D2/500
D594,223 S * 6/2009 Jackson D3/215
D637,796 S * 5/2011 Callahan D2/866
D695,490 S * 12/2013 Lake D2/502
D708,436 S * 7/2014 Cariglio D3/224
D879,472 S * 3/2020 Bulte D3/303

OTHER PUBLICATIONS

Imprinted Fleece Scarf with Pockets <https://www.4allpromos.com/product/fleece-scarf-pockets?default-tier=10day&default-qty=48>

&mkwid=sKS6V37kZlpcriid1109436166363lpmtlpkwlpdvclprod
uct1313-1019slidll&pgrid=31686852963&ptaid=aud-
317859155701:pla-61865531738&st-t=ppc&vt-k=&utm_source=
google&utm_medium=cp317859155701:pla-61865531738&st-t=
ppc&vt-k=&utm_source=google&utm_medium=&gclid=
EAAlQobChMlnqrzvdvYX8AIVihitBh2JfwA0EAQYASABEgKS2vD_
BwE.*

* cited by examiner

Primary Examiner — Catherine R Oliver-Garcia
(74) *Attorney, Agent, or Firm* — Tracy M Heims; Apex
Juris, pllc.

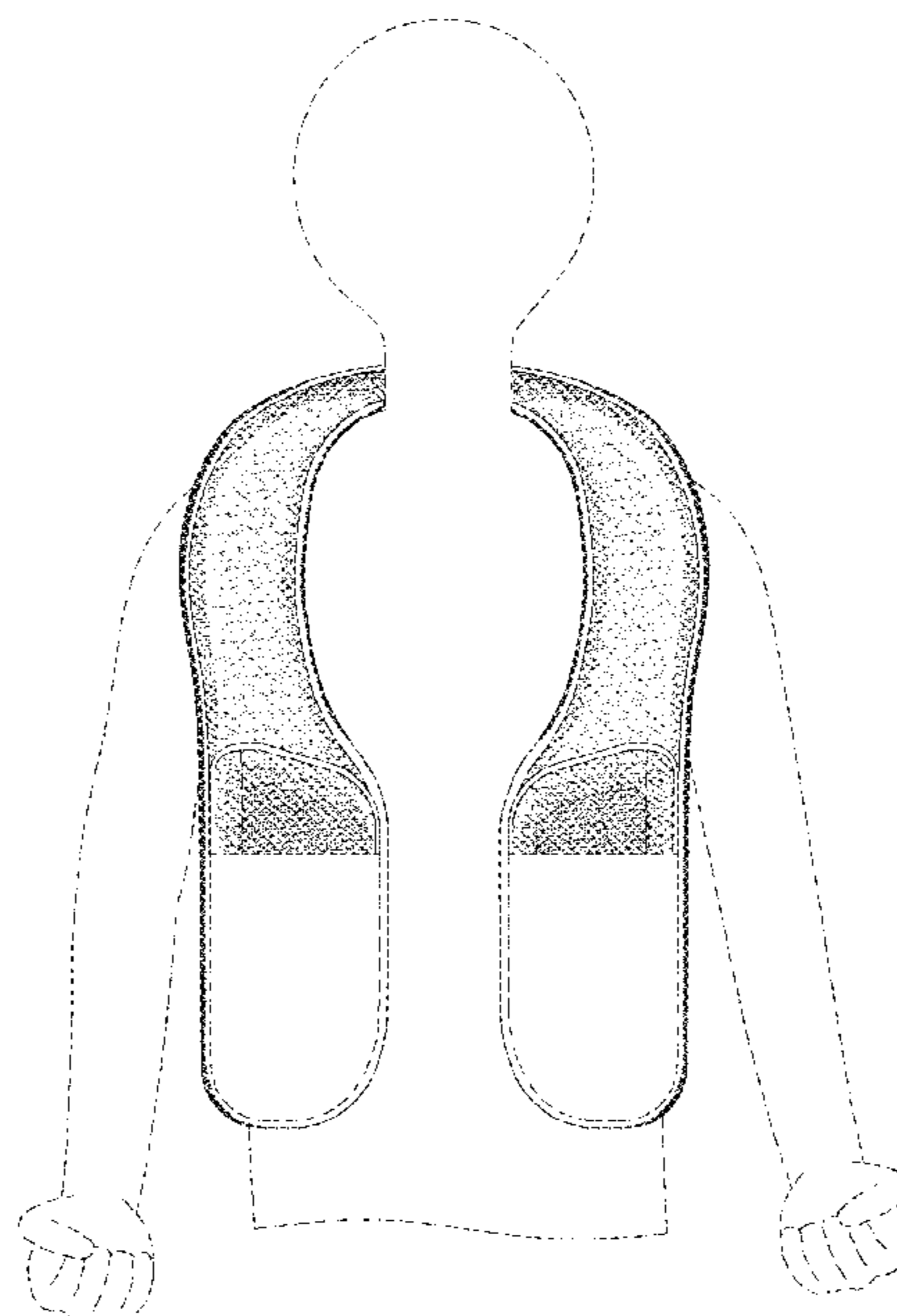
(57) **CLAIM**

The ornamental design for a combined bag and strap, as
shown and described.

DESCRIPTION

FIG. 1 is a perspective view of the combined bag and strap;
FIG. 2 is a front view thereof;
FIG. 3 is a rear view thereof;
FIG. 4 is a left side view thereof;
FIG. 5 is a right side view thereof;
FIG. 6 is a top view thereof;
FIG. 7 is a bottom view thereof;
FIG. 8 is a schematic diagram, showing the combined bag
and strap in a condition of use as being carried by a user;
and,
FIG. 9 is a schematic diagram, showing the combined bag
and strap in a condition of use as attached to a backpack.
The broken lines depict portions of the combined bag and
strap and environment of use that form no part of the
claimed design.

1 Claim, 9 Drawing Sheets



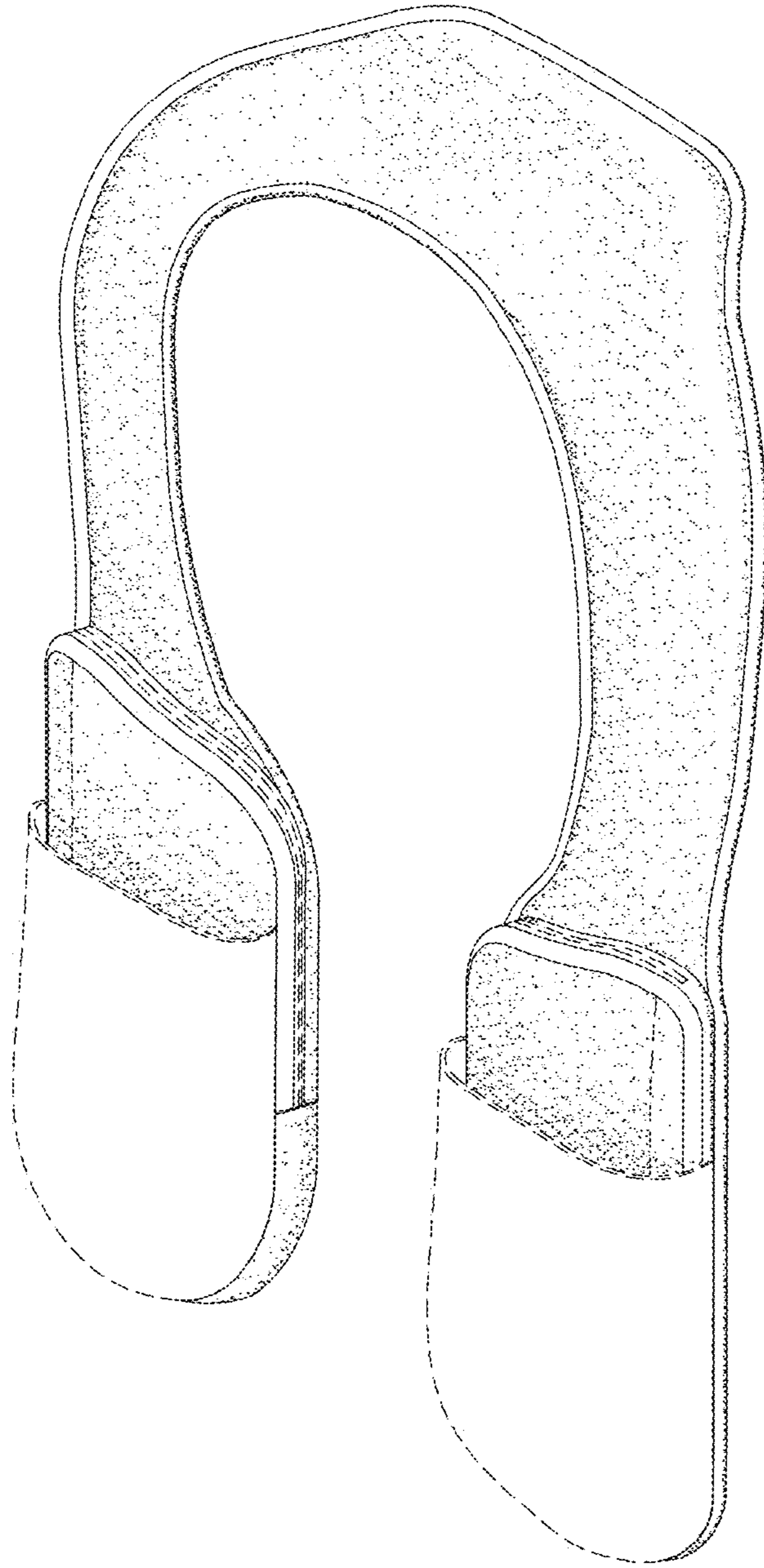


FIG.1

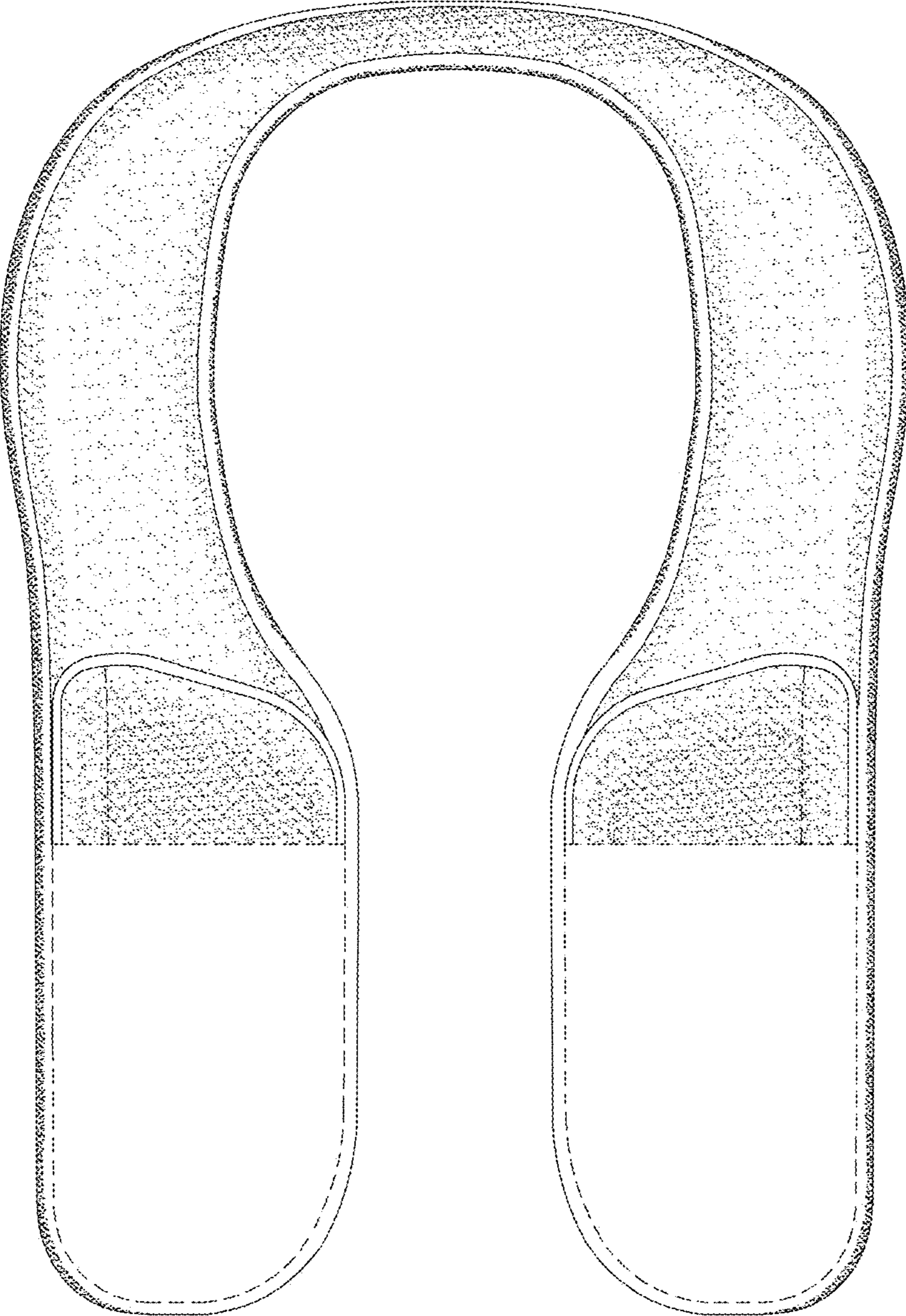


FIG.2

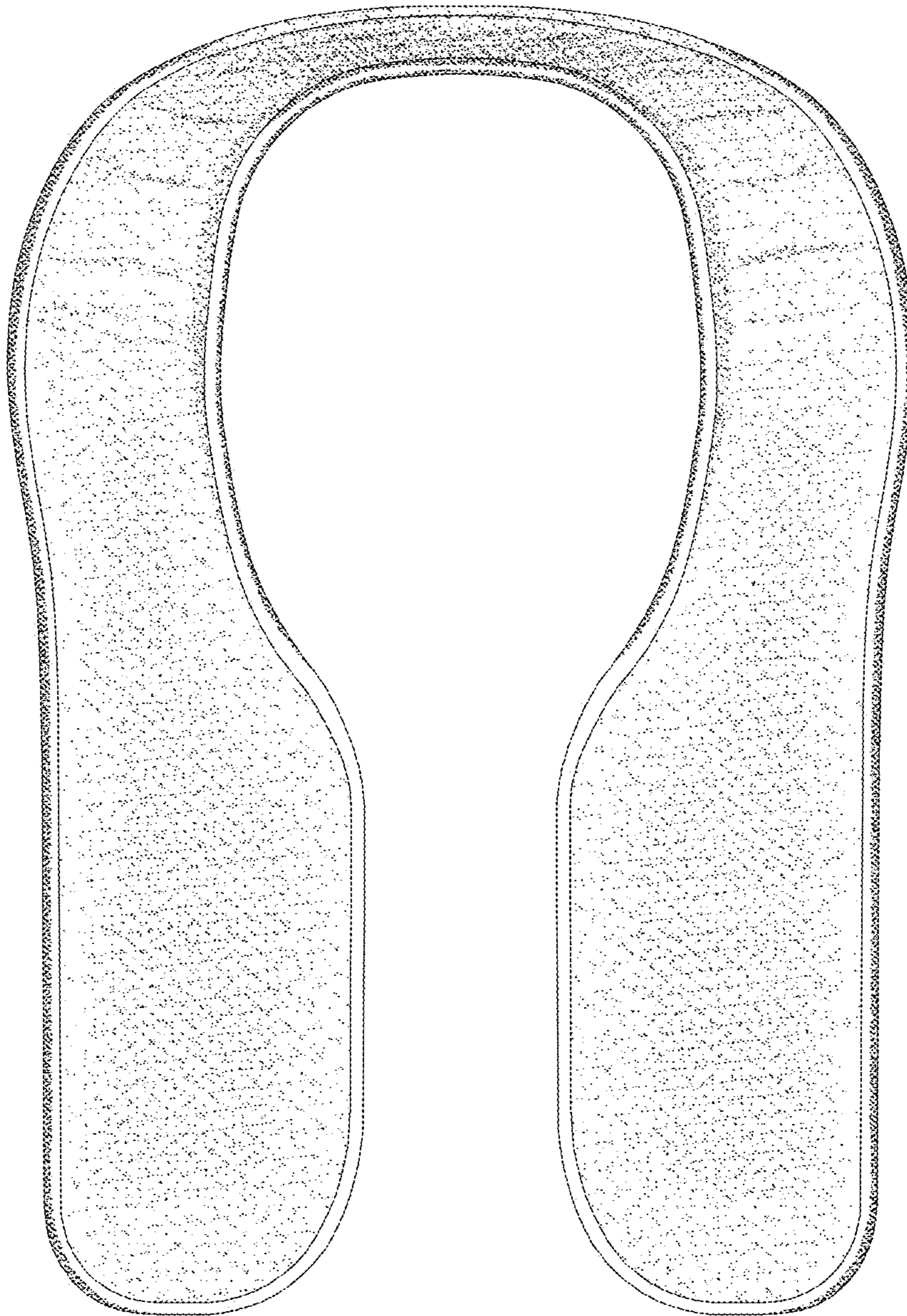


FIG.3

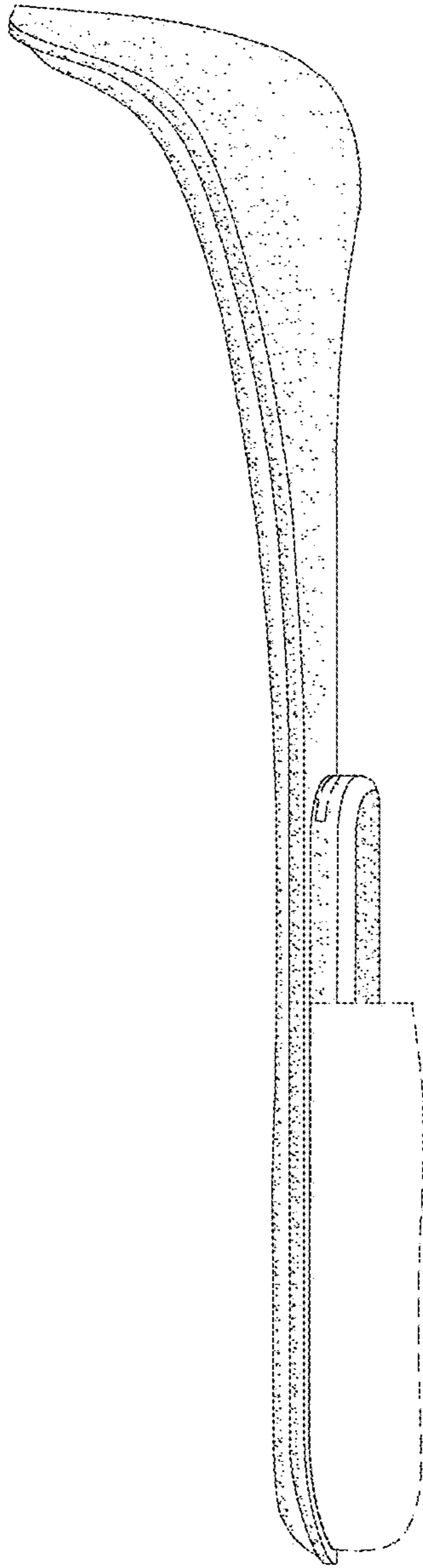


FIG.4

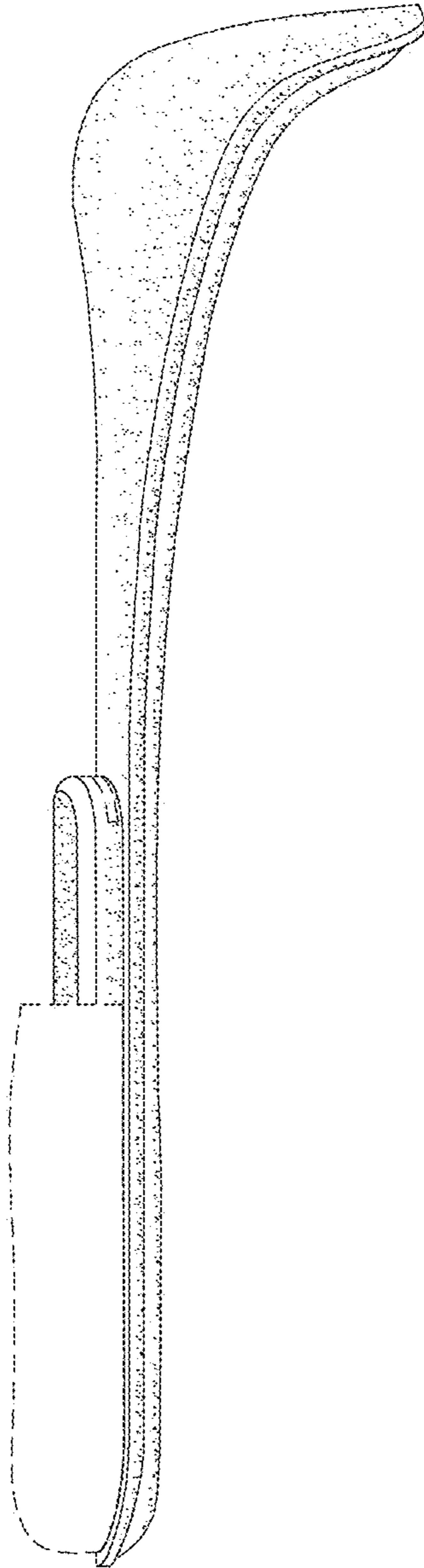


FIG.5

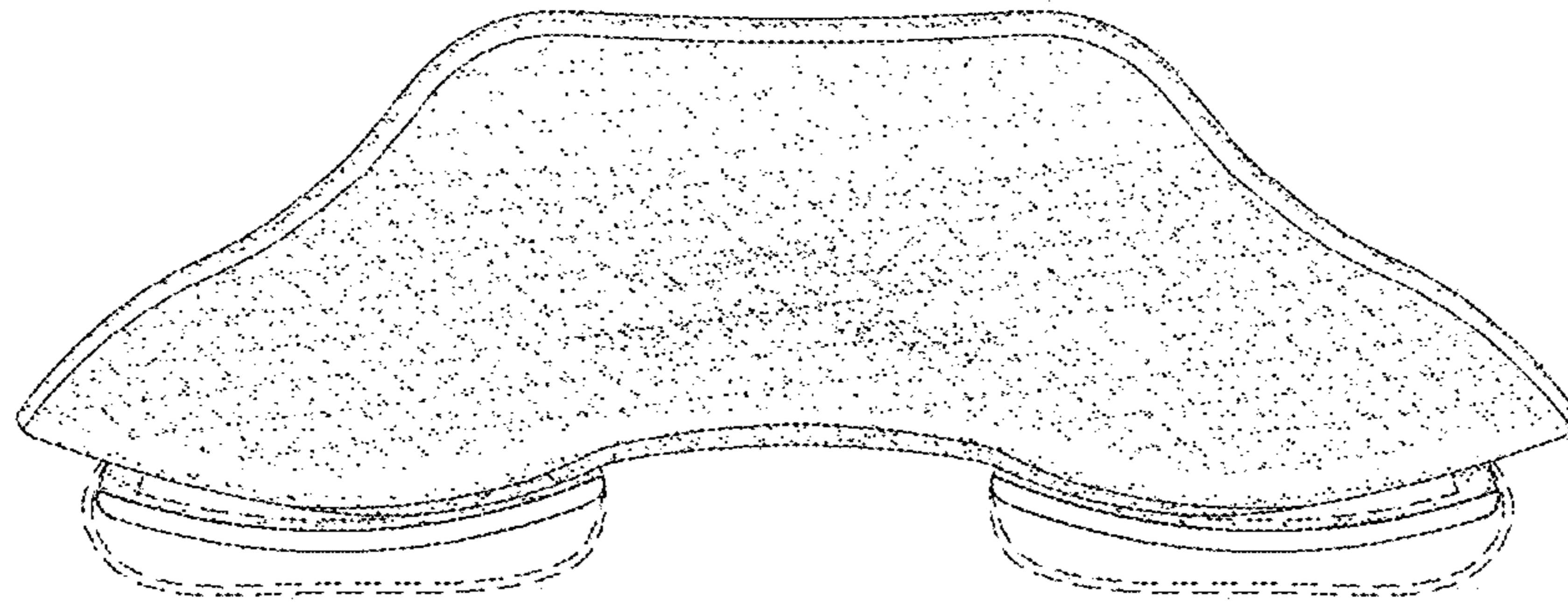


FIG.6

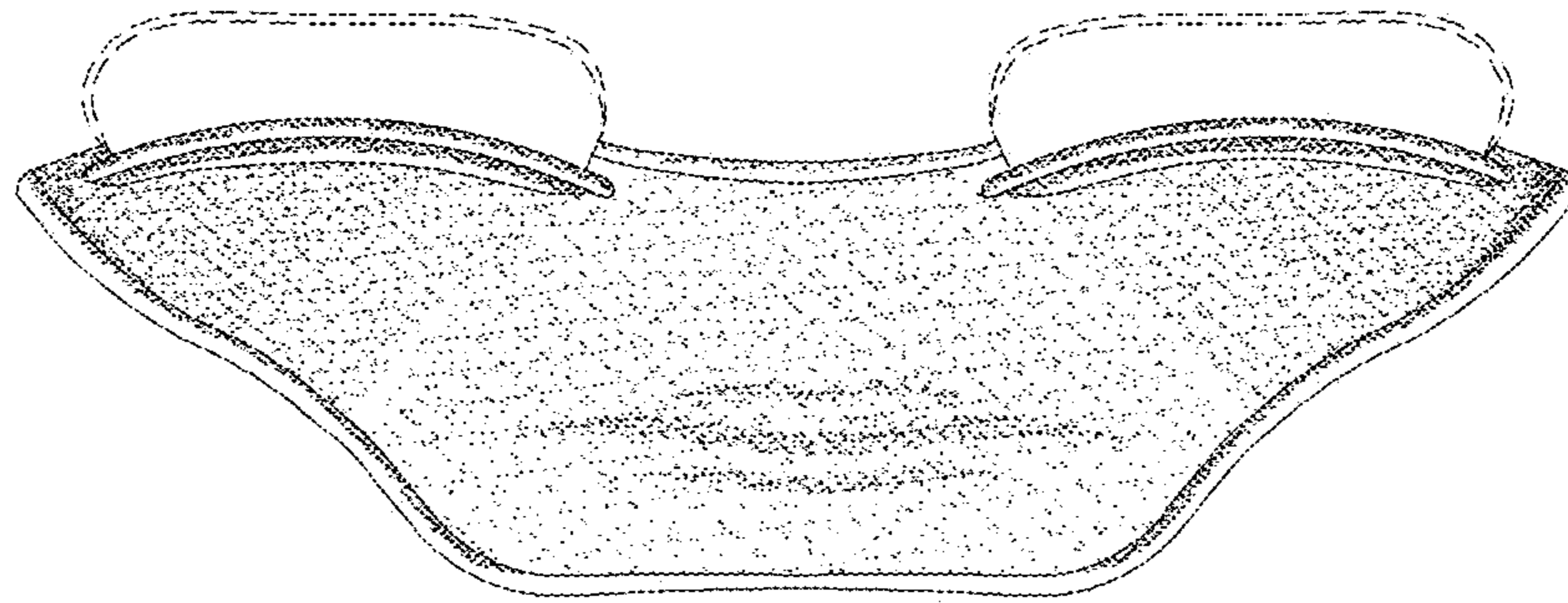


FIG.7

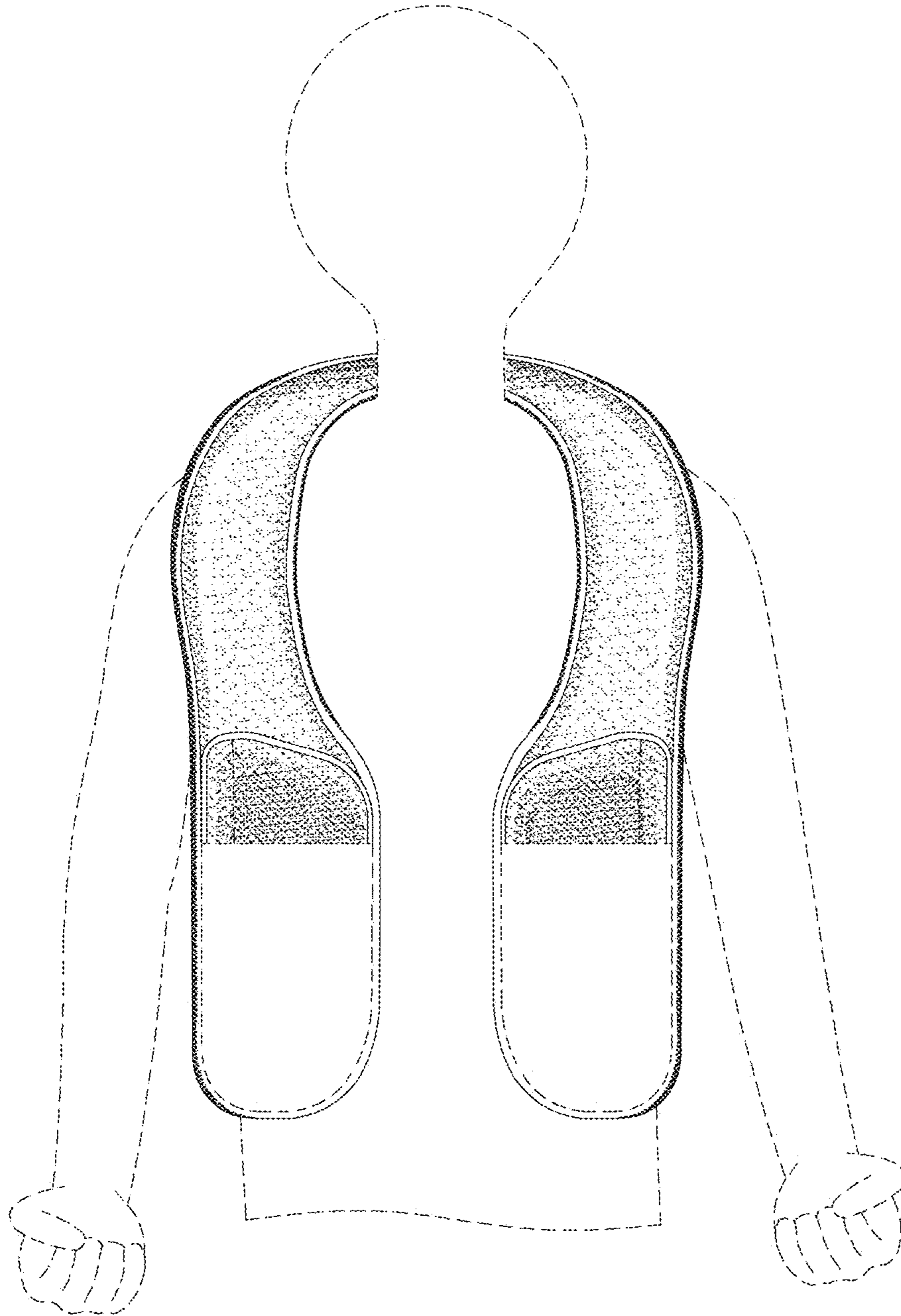


FIG.8

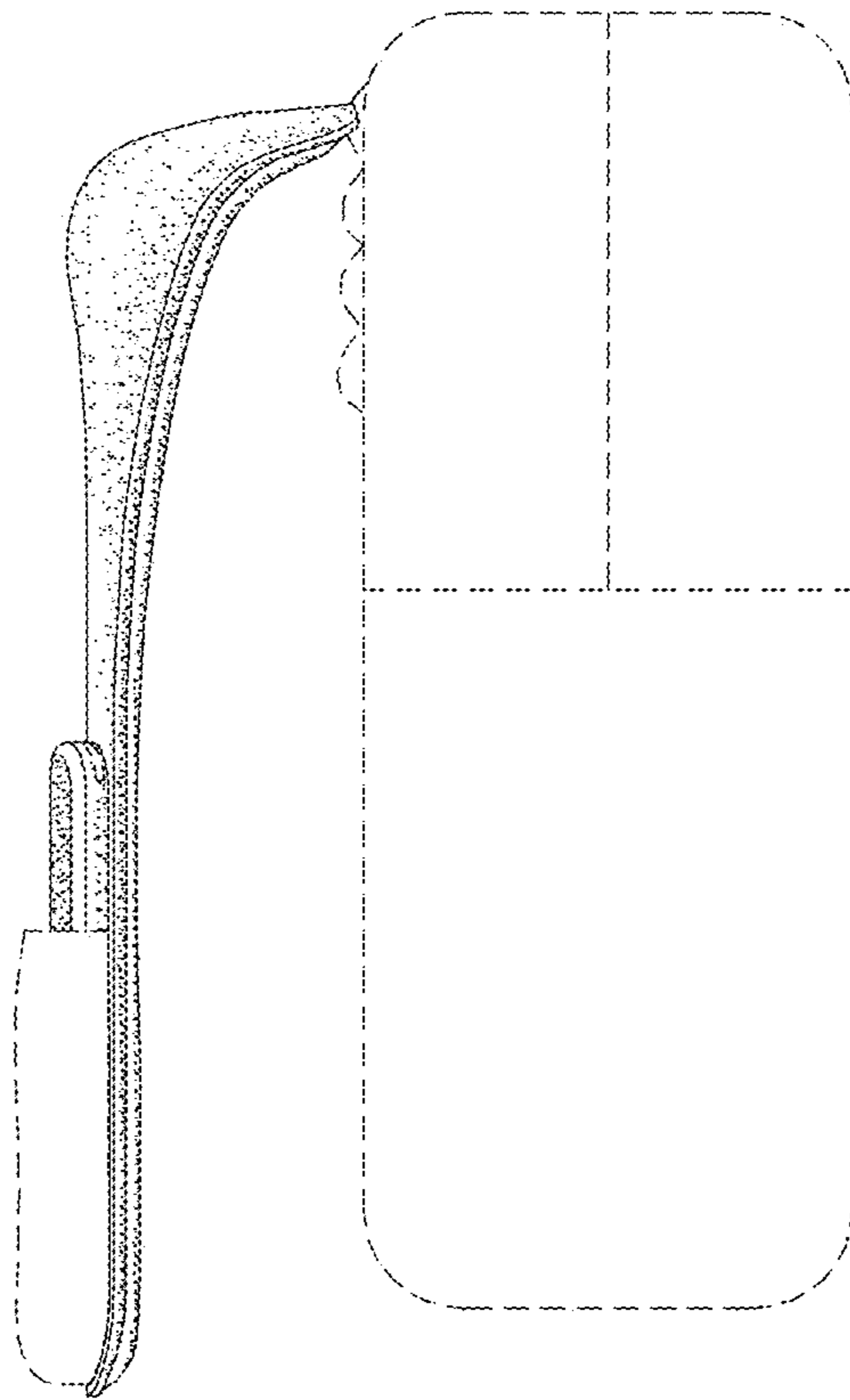


FIG.9