



US00D931600S

(12) **United States Design Patent**
Huang

(10) **Patent No.:** **US D931,600 S**

(45) **Date of Patent:** **** Sep. 28, 2021**

(54) **BACKPACK**

(71) Applicant: **Chaoming Huang**, Putian (CN)

(72) Inventor: **Chaoming Huang**, Putian (CN)

(**) Term: **15 Years**

(21) Appl. No.: **29/702,479**

(22) Filed: **Aug. 20, 2019**

(51) **LOC (13) Cl.** **03-01**

(52) **U.S. Cl.**
USPC **D3/217**

(58) **Field of Classification Search**
USPC D3/216, 217
CPC A45F 3/04; A45F 2003/003; A45F 4/02;
A45F 5/021; Y10S 224/92; Y10S 16/40;
Y10S 224/922; Y10S 383/907; A01K
97/06; A45C 11/20; A45C 5/06; A45C
11/02; A45C 13/02; A45C 13/08; A45C
3/00; A45C 7/0063

See application file for complete search history.

(56) **References Cited**

U.S. PATENT DOCUMENTS

D471,353 S * 3/2003 Ho D3/216
D821,742 S * 7/2018 Jusic D3/217

D857,377 S * 8/2019 Hong D3/217
D862,069 S * 10/2019 Droze D3/217
D880,846 S * 4/2020 Aranbayev D3/217
D898,350 S * 10/2020 Peng D3/217
D903,306 S * 12/2020 Fenton D3/217
D905,427 S * 12/2020 Zhou D3/217
D911,023 S * 2/2021 Feifei D3/217
D912,976 S * 3/2021 Breines D3/217
2016/0360845 A1 * 12/2016 Somers A45C 13/002
2018/0146756 A1 * 5/2018 Meservey A45C 13/02

* cited by examiner

Primary Examiner — Jennifer L Watkins

(74) *Attorney, Agent, or Firm* — Rumit Ranjit Kanakia

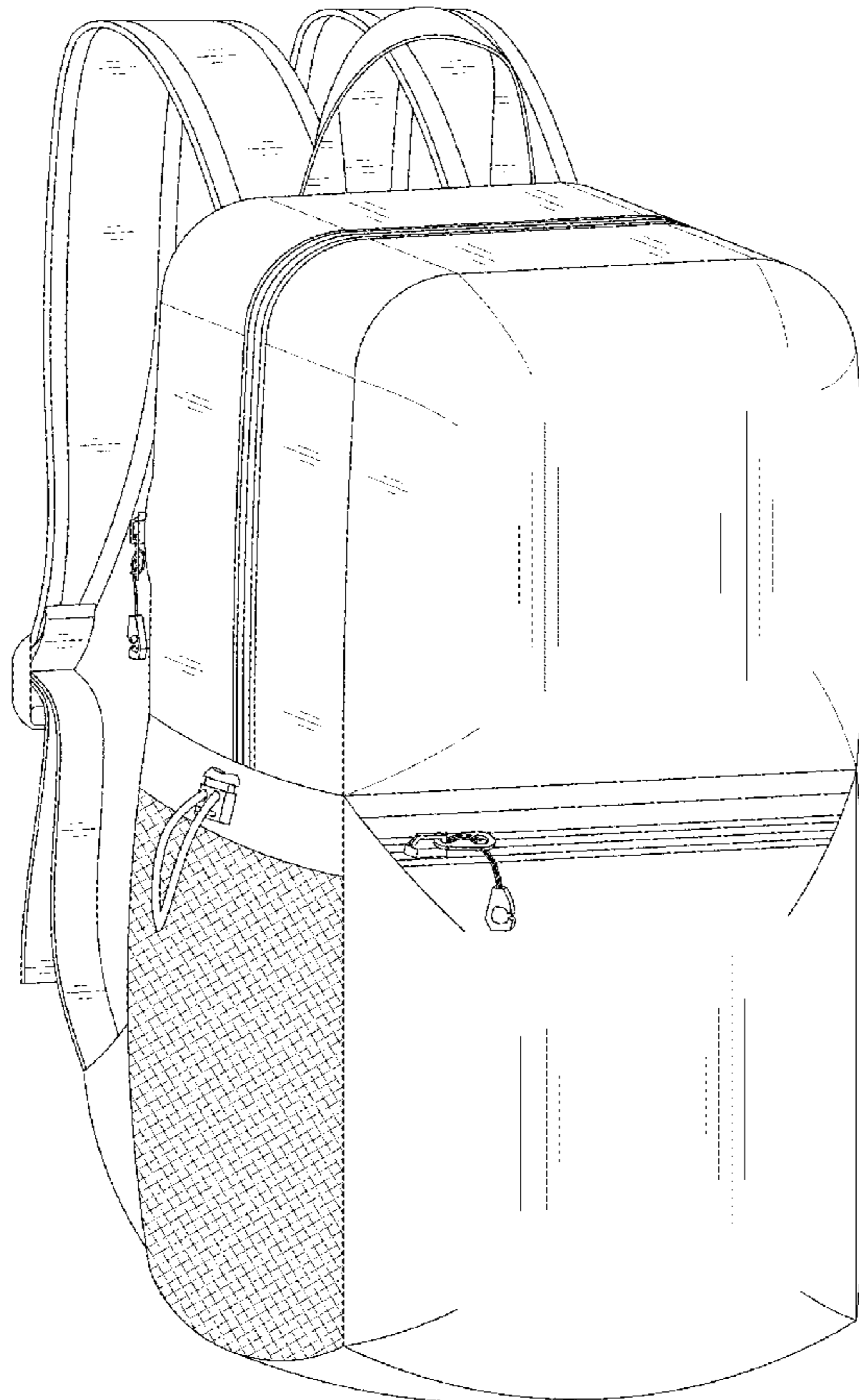
(57) **CLAIM**

I claim the ornamental design for a backpack, as shown and described.

DESCRIPTION

FIG. 1 is a perspective view of a backpack showing my new design;
FIG. 2 is a front view of the backpack as shown in FIG. 1;
FIG. 3 is a back view of the backpack as shown in FIG. 1;
FIG. 4 is a right-side view of the backpack as shown in FIG. 1;
FIG. 5 is a left-side view of the backpack as shown in FIG. 1;
FIG. 6 is a top view of the backpack as shown in FIG. 1; and,
FIG. 7 is a bottom view of the backpack as shown in FIG. 1.

1 Claim, 7 Drawing Sheets



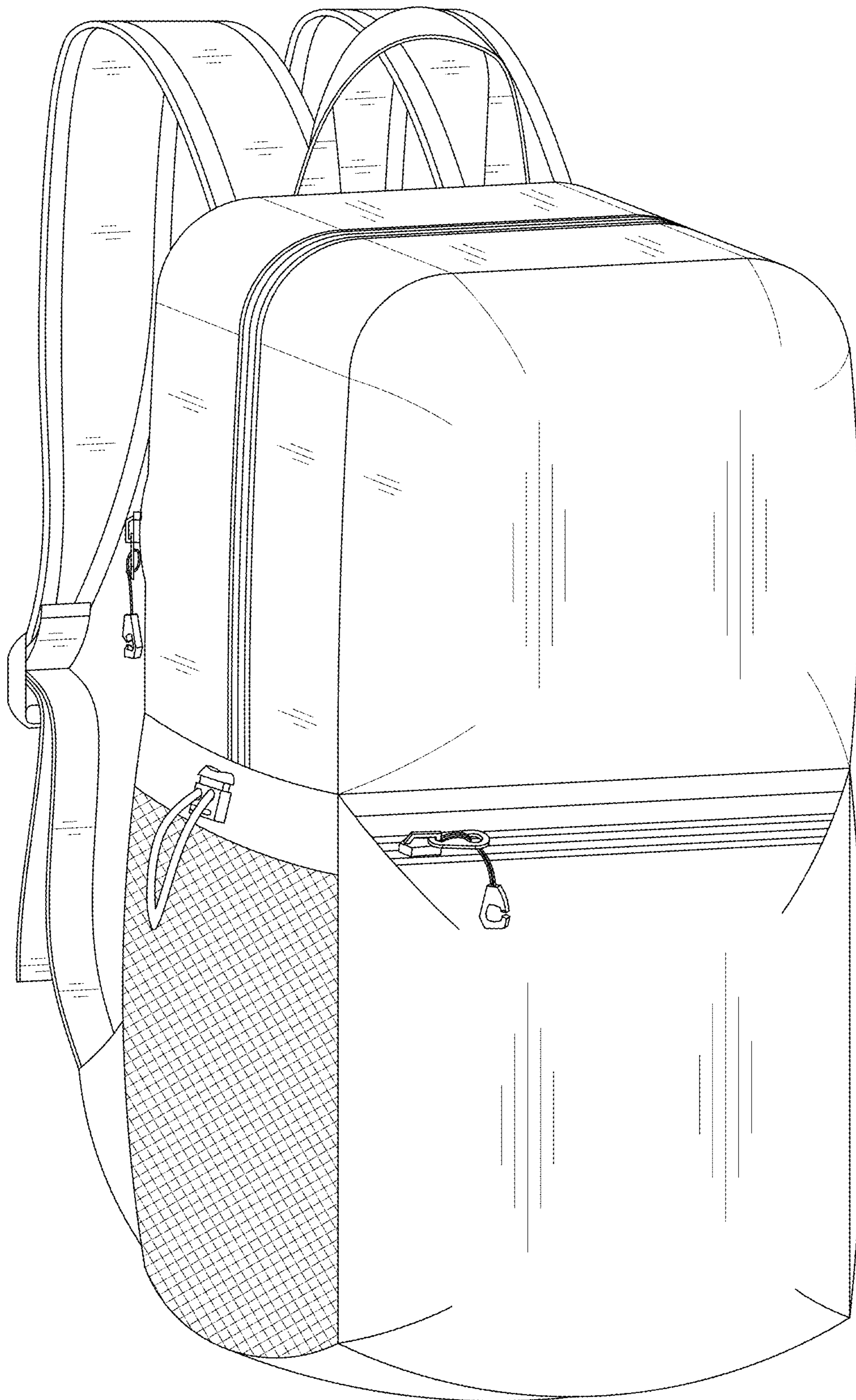


FIG. 1

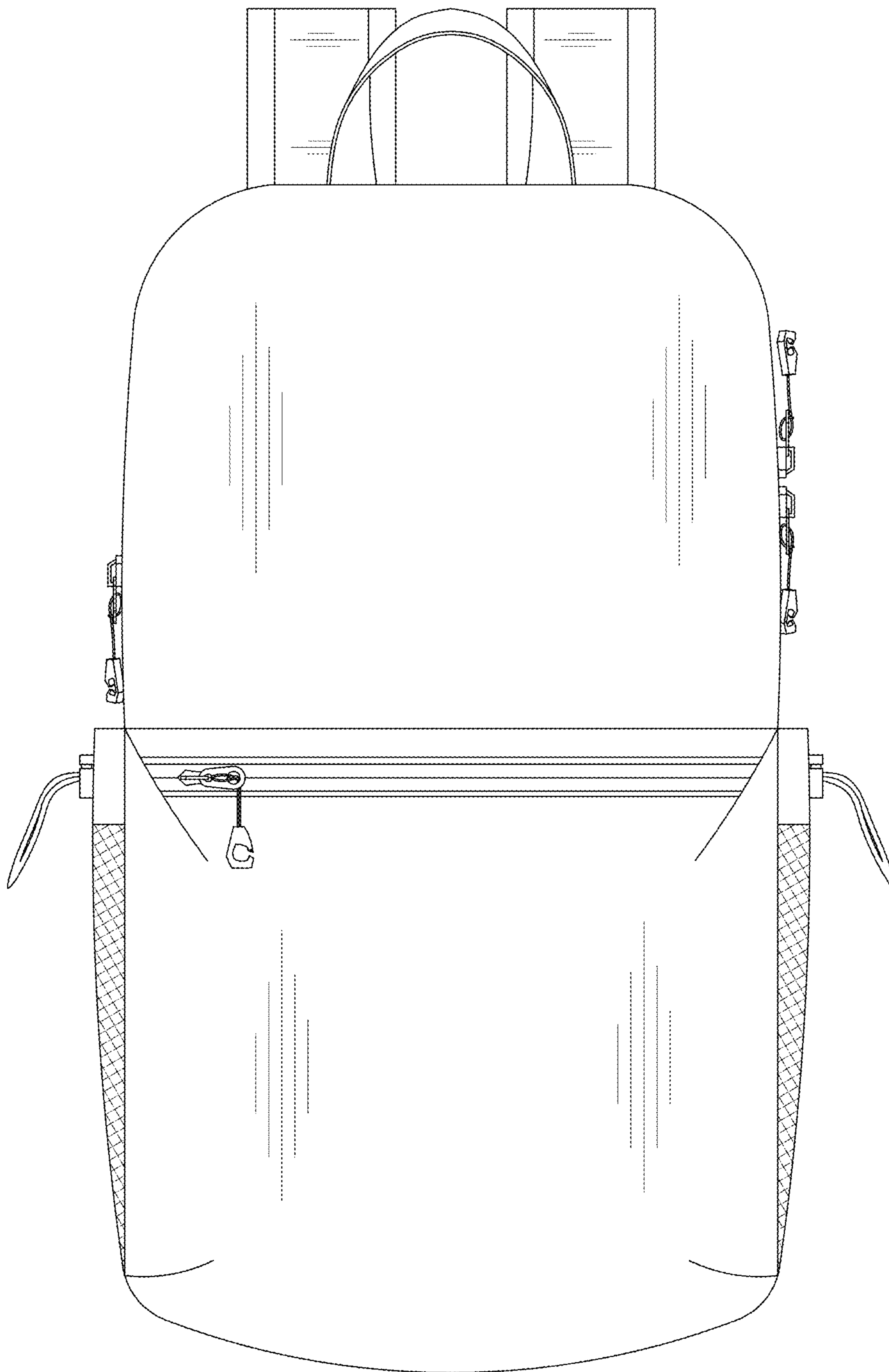


FIG. 2

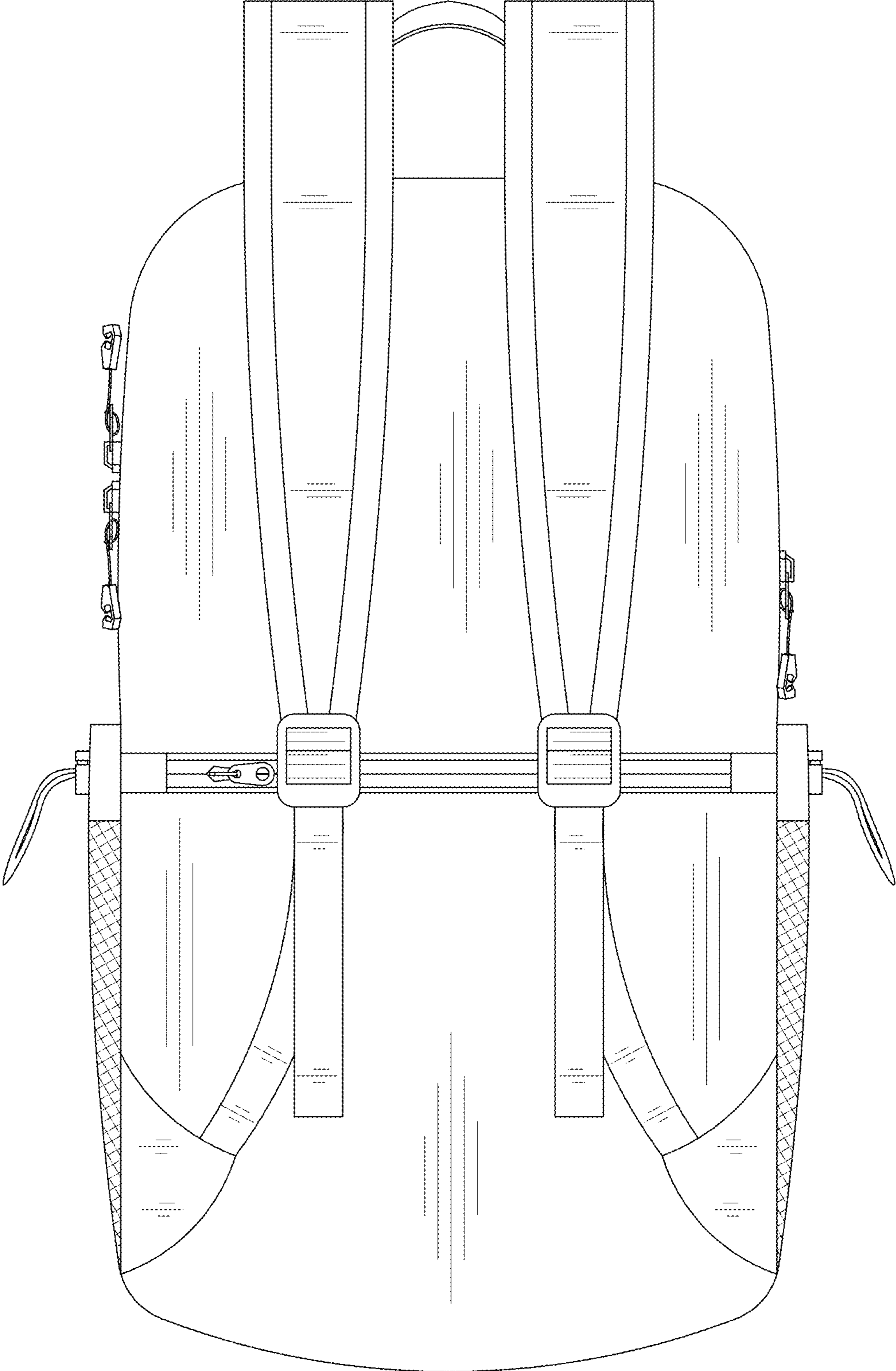


FIG. 3

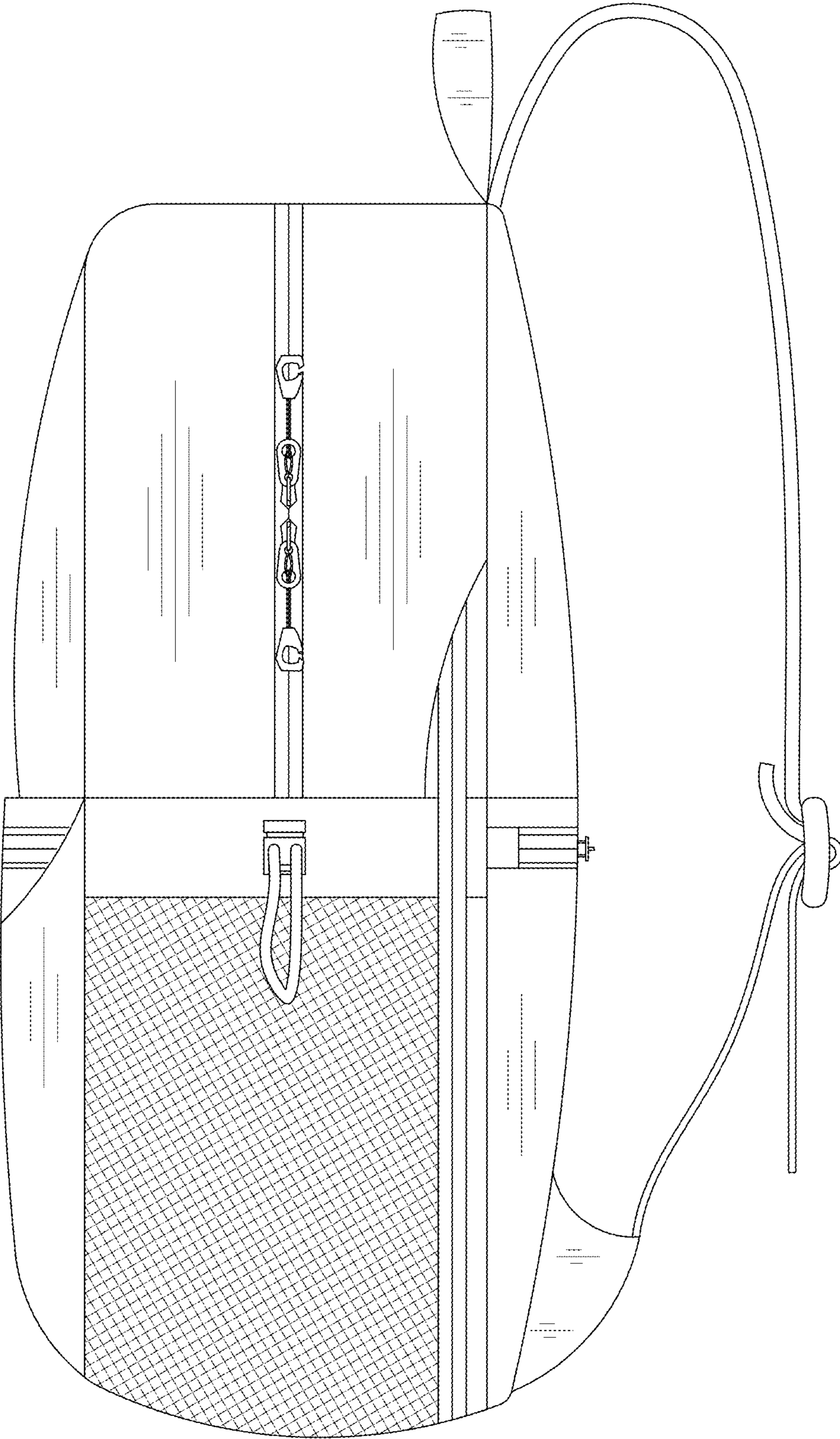


FIG. 4

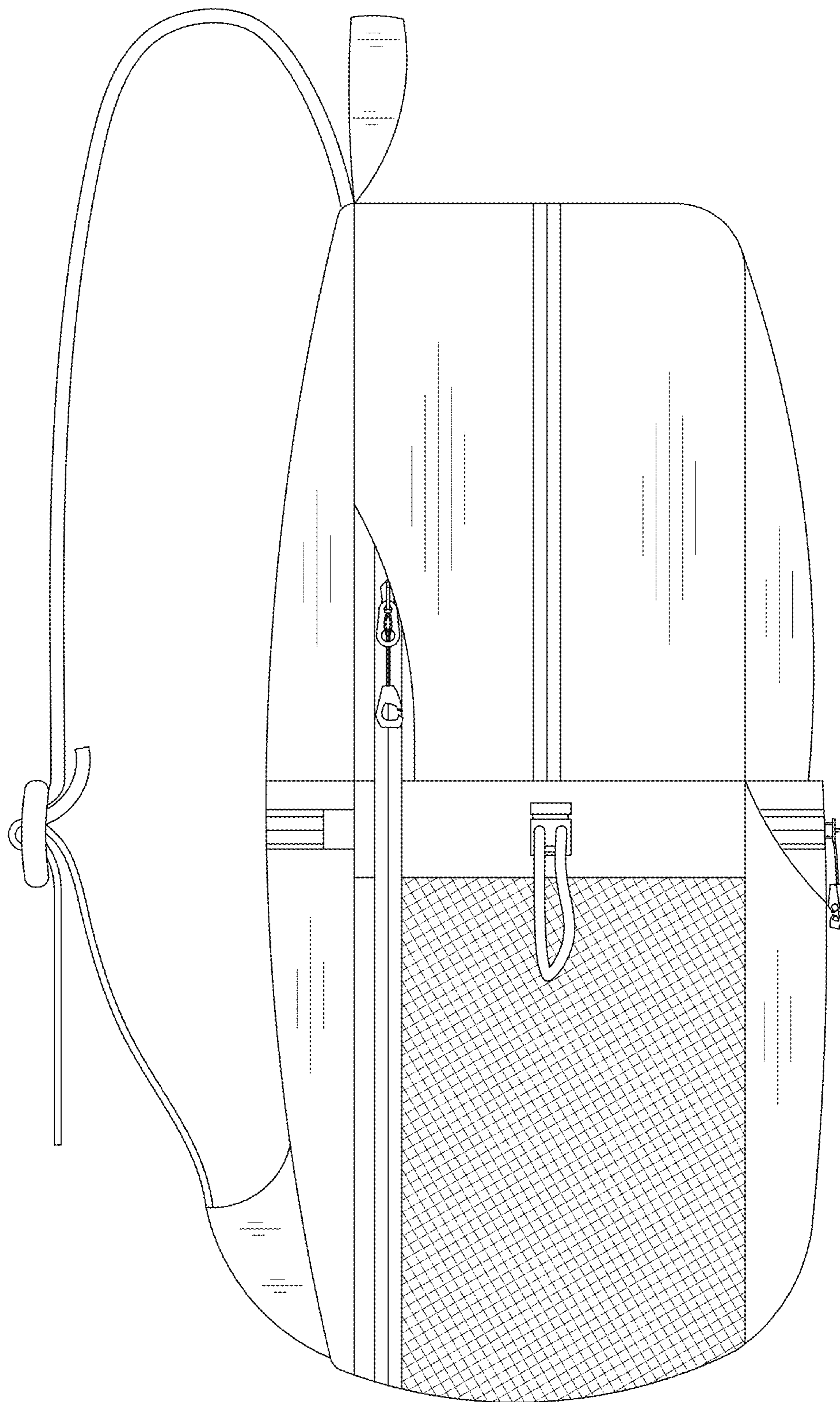


FIG. 5

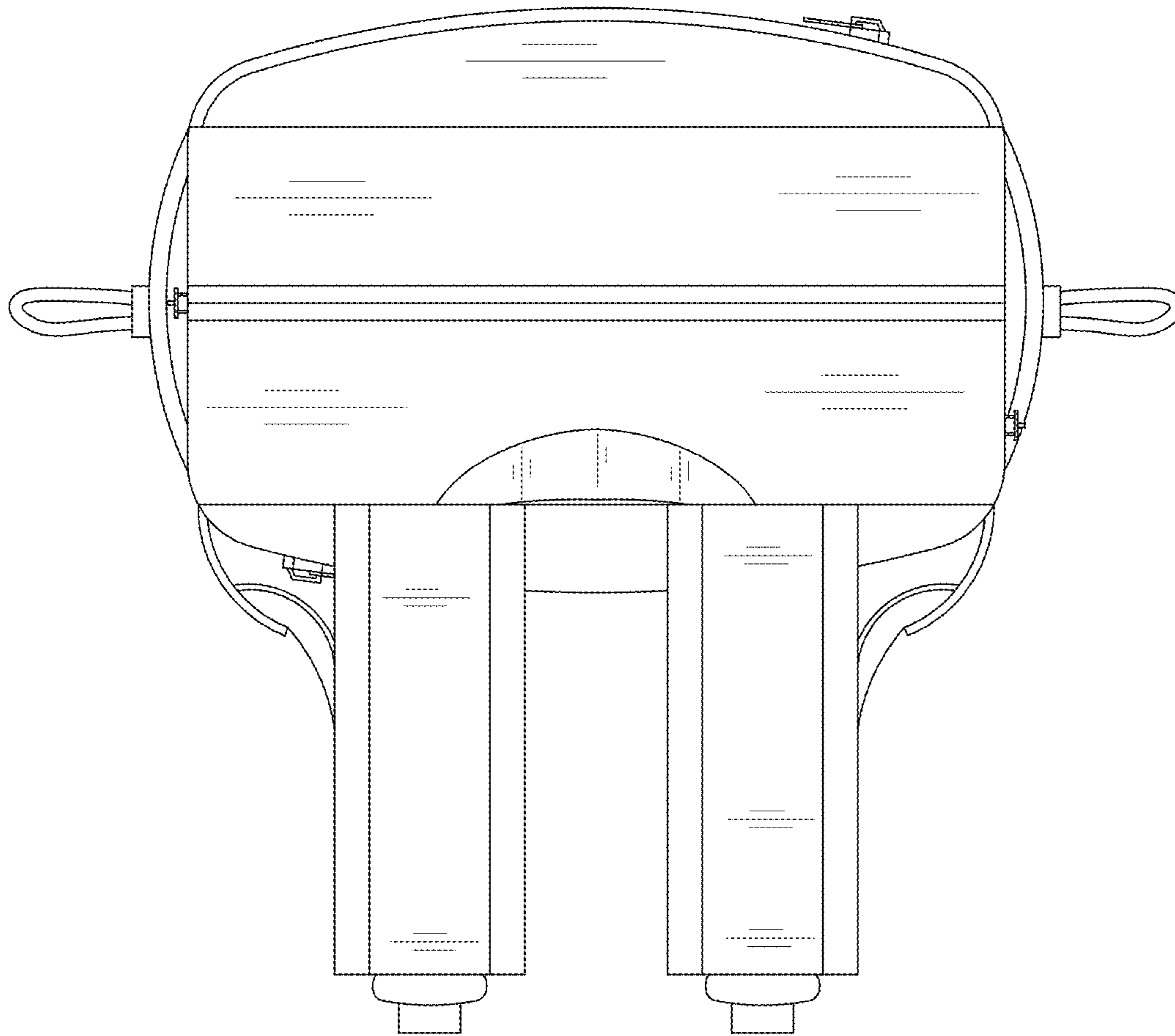


FIG. 6

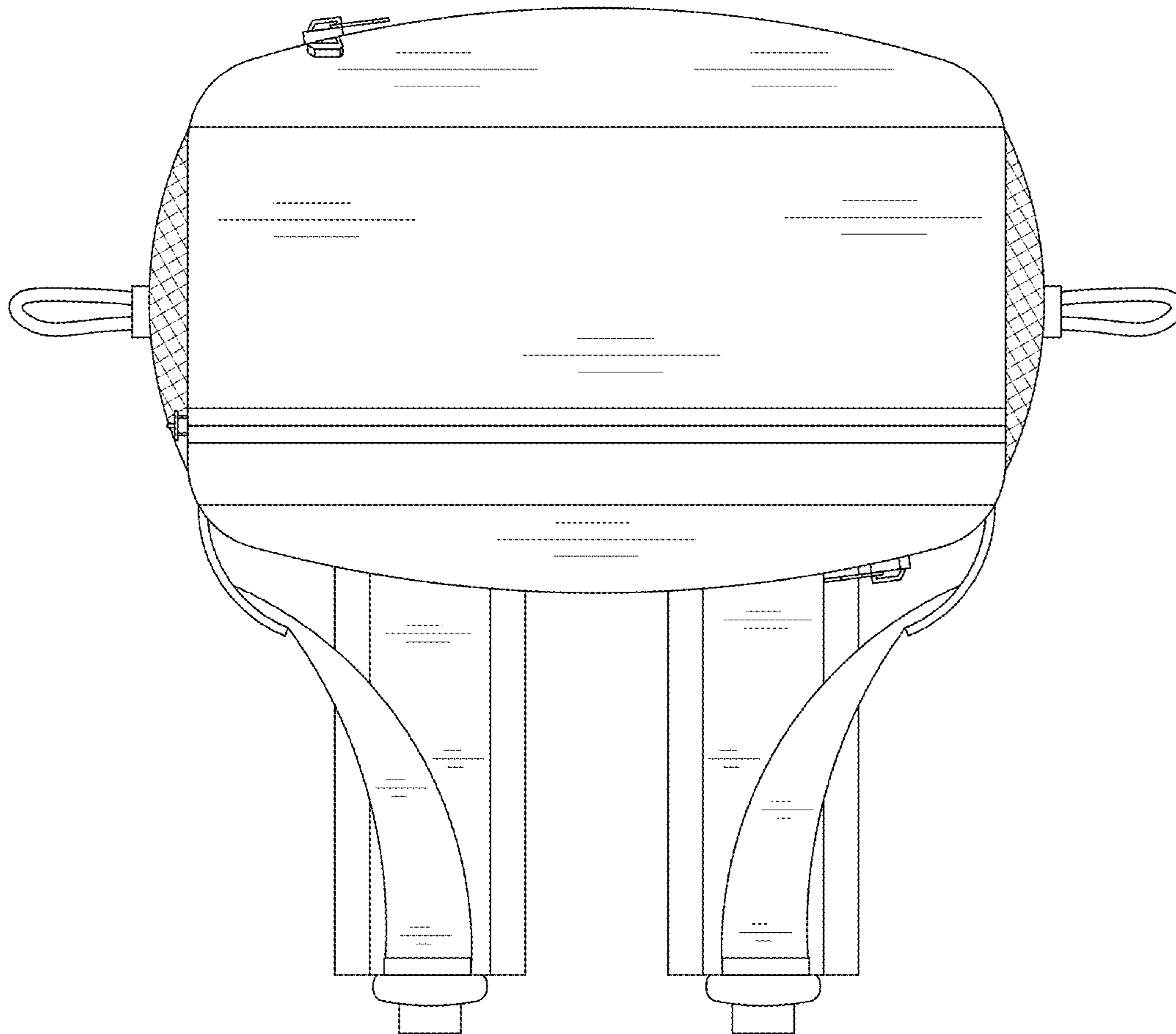


FIG. 7