



US00D931599S

(12) **United States Design Patent** (10) **Patent No.:** **US D931,599 S**
Weiland et al. (45) **Date of Patent:** **** Sep. 28, 2021**

(54) **DOCKING STATION**

- (71) Applicant: **Knox Associates, Inc.**, Phoenix, AZ (US)
- (72) Inventors: **Michael J. Weiland**, Phoenix, AZ (US); **James McBride**, Phoenix, AZ (US); **Luz Amaya**, Phoenix, AZ (US); **Dominik Sheffler**, Phoenix, AZ (US); **Jason Pedersen**, Phoenix, AZ (US)
- (73) Assignee: **KNOX Associates, Inc.**, Phoenix, AZ (US)
- (**) Term: **15 Years**
- (21) Appl. No.: **29/684,540**
- (22) Filed: **Mar. 21, 2019**

Related U.S. Application Data

- (62) Division of application No. 29/601,962, filed on Apr. 27, 2017, now Pat. No. Des. 844,318.
- (51) **LOC (13) Cl.** **03-01**
- (52) **U.S. Cl.**
USPC **D3/212**; D99/28; D99/43; D8/346
- (58) **Field of Classification Search**
USPC D14/434, 440, 447, 251-253, 432, 451, D14/452, 454, 140, 142, 149, 217, 240, D14/299, 496, 356, 358, 204, 207, 209.1, D14/211, 215, 216, 171; D13/103, 107, D13/108, 118, 119, 184; D6/512, 672, D6/682; D21/333; D99/28, 43, 99; D8/333, 343, 346; D3/207, 208, 212
CPC B65D 55/14; E05B 65/0075; E05B 65/52; E05B 17/22; G07C 9/00944; A45C 11/32; A45C 11/321; A47G 29/10
See application file for complete search history.

(56) **References Cited**

U.S. PATENT DOCUMENTS

2,086,018 A *	7/1937	Dyer	F25D 23/12	312/204
D175,369 S *	8/1955	Sciacero	D99/28	
D232,644 S *	9/1974	Barrett	D99/28	
D273,053 S	3/1984	Hamborg			
D322,876 S *	12/1991	Kreil	D99/28	
5,156,030 A *	10/1992	Hill	E05B 19/0005	109/46
D335,377 S	5/1993	Speciale			
D336,418 S	6/1993	Carter			
D358,540 S	5/1995	Trempala			
D388,953 S	1/1998	Hartman			
D390,327 S *	2/1998	Warnelov	D99/28	

(Continued)

Primary Examiner — Marie D. Fast Horse

(74) *Attorney, Agent, or Firm* — Knobbe, Martens, Olson & Bear, LLP

(57) **CLAIM**

The ornamental design for a docking station, as shown and described.

DESCRIPTION

The patent or application file contains at least one drawing executed in color. Copies of this patent or patent application publication with color drawing(s) will be provided by the Office upon request and payment of the necessary fee.

FIG. 1 is a top, front, and right side perspective view of a docking station embodying our new design;

FIG. 2 is a bottom, rear and right side perspective view thereof;

FIG. 3 is a front view thereof;

FIG. 4 is a rear view thereof;

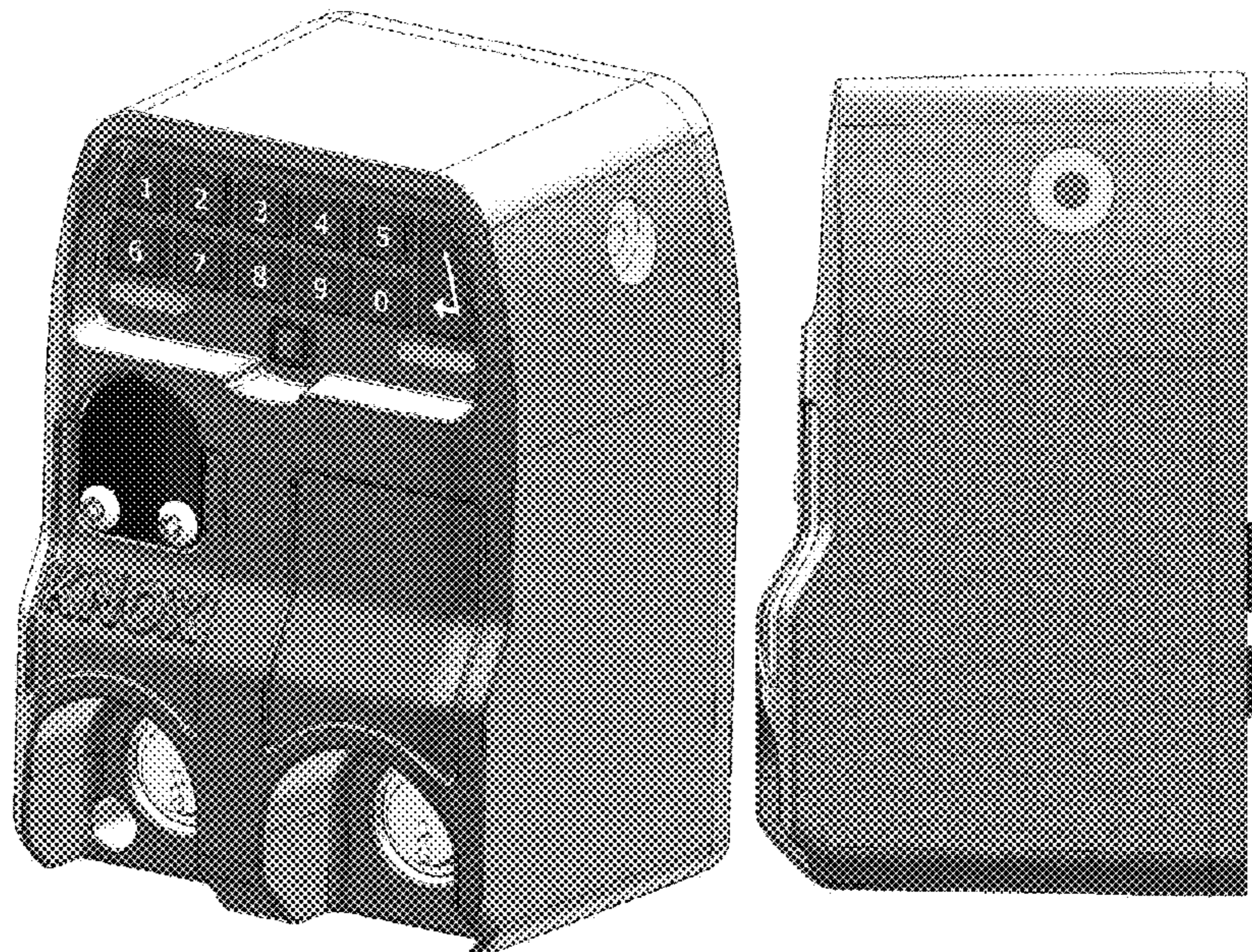
FIG. 5 is a right side view thereof;

FIG. 6 is a left side view thereof;

FIG. 7 is a top view thereof; and,

FIG. 8 is a bottom view thereof.

1 Claim, 7 Drawing Sheets
(6 of 7 Drawing Sheet(s) Filed in Color)



(56)

References Cited

U.S. PATENT DOCUMENTS

5,794,466 A * 8/1998 Hungerford E05B 19/0005
 109/53
 D410,130 S * 5/1999 Kerr D6/559
 D411,949 S * 7/1999 Hill
 D432,755 S * 10/2000 Perkitny D99/34
 D484,725 S * 1/2004 Howard D6/559
 D512,898 S * 12/2005 Metivier D10/106.1
 D534,965 S * 1/2007 Chung D99/28
 D569,073 S * 5/2008 Osiecki D99/28
 D582,254 S * 12/2008 Turpault D8/346
 D582,255 S * 12/2008 Turpault D8/346
 D622,129 S * 8/2010 Spivey D8/333
 D650,548 S * 12/2011 Meekma D99/28
 D654,654 S * 2/2012 Meekma D99/28
 D655,885 S * 3/2012 Meekma D99/28
 D659,344 S * 5/2012 Meekma D99/28
 D659,345 S * 5/2012 Meekma D99/28
 8,375,751 B2 * 2/2013 Hacker E05B 37/0068
 70/63
 D678,651 S * 3/2013 Bartolome D99/28
 D679,745 S * 4/2013 Helgesson D18/4.4
 D681,717 S * 5/2013 Helgesson D18/4.6
 D692,745 S * 11/2013 Stevens
 D712,614 S * 9/2014 Ritzier D99/28
 D719,315 S * 12/2014 Berger D99/28
 D719,344 S * 12/2014 Miller D3/203.1
 D735,437 S * 7/2015 Randall D99/28
 D735,438 S * 7/2015 Randall D99/28
 D735,439 S * 7/2015 Randall D99/28
 D735,440 S * 7/2015 Randall D99/28
 D735,963 S * 8/2015 Randall D99/28

D735,964 S * 8/2015 Randall D99/28
 D735,965 S * 8/2015 Randall D99/28
 D739,637 S * 9/2015 Randall D99/28
 D739,638 S * 9/2015 Randall D99/28
 D739,639 S * 9/2015 Randall D99/28
 D742,090 S * 10/2015 Randall D99/28
 D748,889 S * 2/2016 Ng D99/28
 D768,462 S * 10/2016 Euchner D8/330
 D772,522 S * 11/2016 Henderson D99/28
 D778,024 S * 1/2017 Zaniker G07F 7/10
 D99/28
 D785,898 S * 5/2017 Rotem D99/28
 D794,320 S * 8/2017 Downes
 D795,523 S * 8/2017 King D99/28
 D795,675 S * 8/2017 Howse D8/346
 D802,872 S * 11/2017 Frisher D99/28
 D802,874 S * 11/2017 King D99/28
 D802,875 S * 11/2017 King D99/28
 D802,876 S * 11/2017 King D99/28
 D802,877 S * 11/2017 King D99/28
 D802,878 S * 11/2017 King D99/28
 D806,349 S * 12/2017 Birnie D99/28
 D813,059 S * 3/2018 MacKay D10/42
 D815,389 S * 4/2018 Hu D99/43
 D844,318 S * 4/2019 Weiland D3/212
 D909,747 S * 2/2021 Kim D3/212
 2011/0226023 A1 * 9/2011 Freeman E05B 19/0005
 70/24
 2012/0042703 A1 * 2/2012 Chang E05B 19/0005
 70/63
 2016/0002951 A1 * 1/2016 Buchner G07F 11/165
 221/154
 2018/0186531 A1 * 7/2018 McBride E05B 65/0075

* cited by examiner

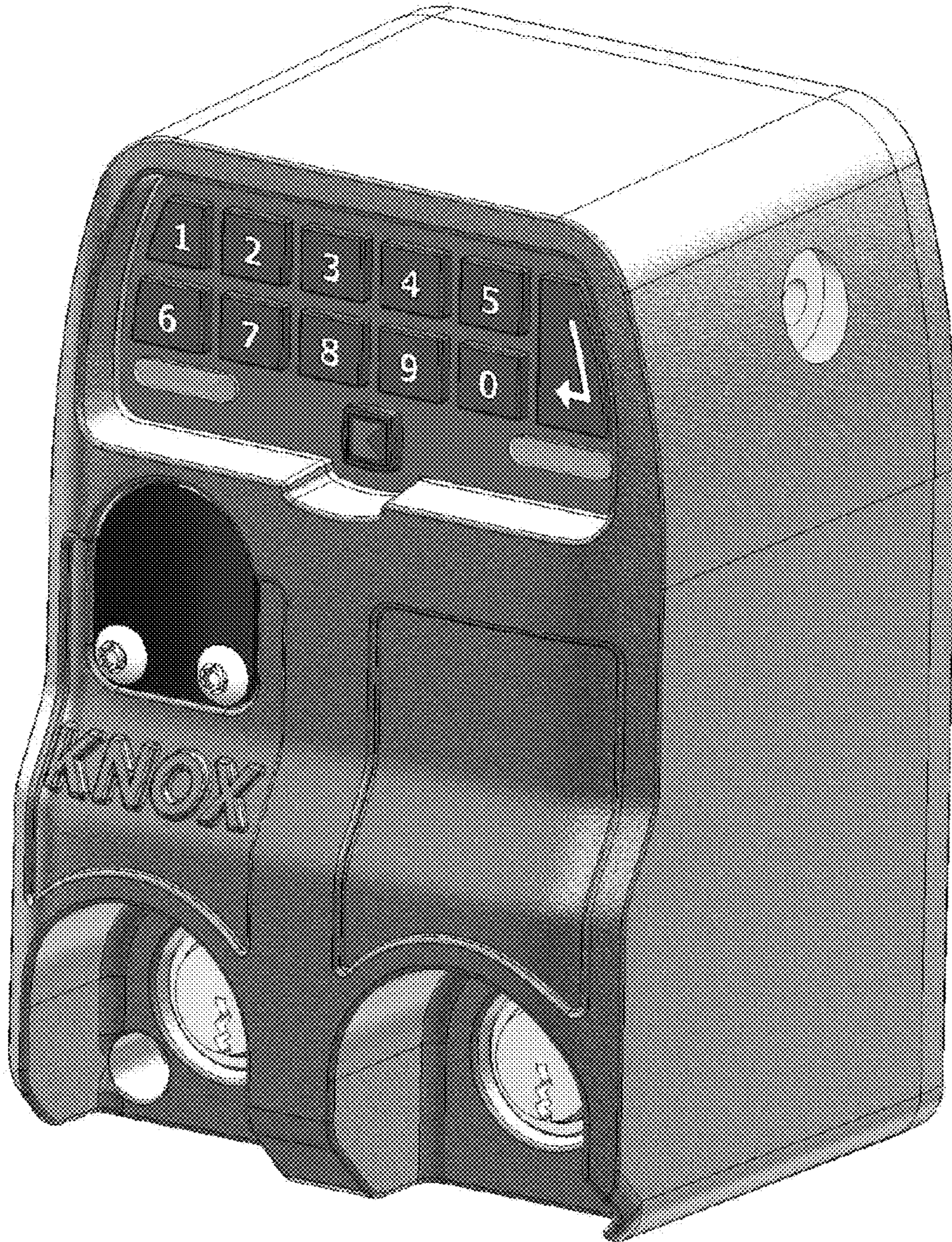


FIG. 1

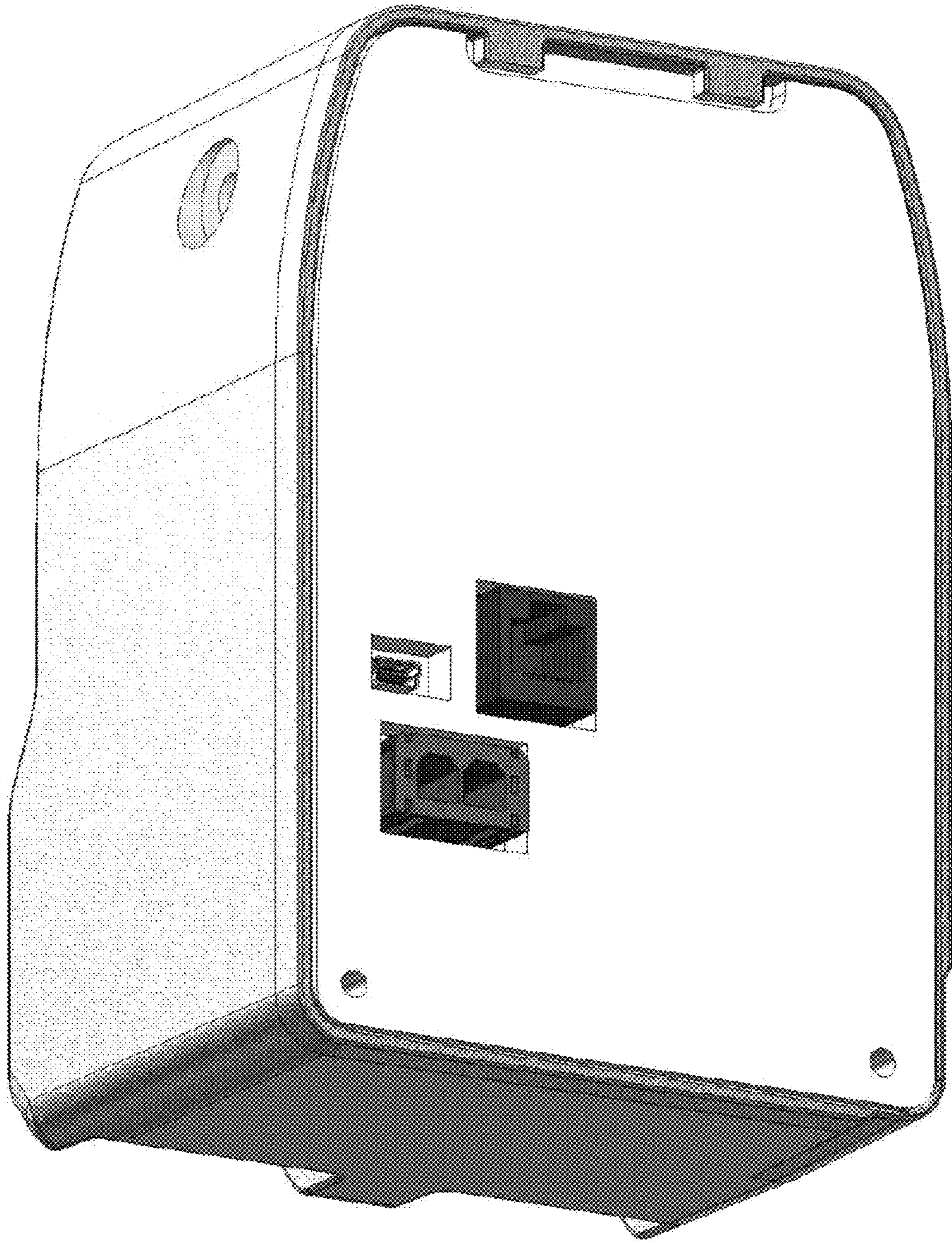


FIG. 2

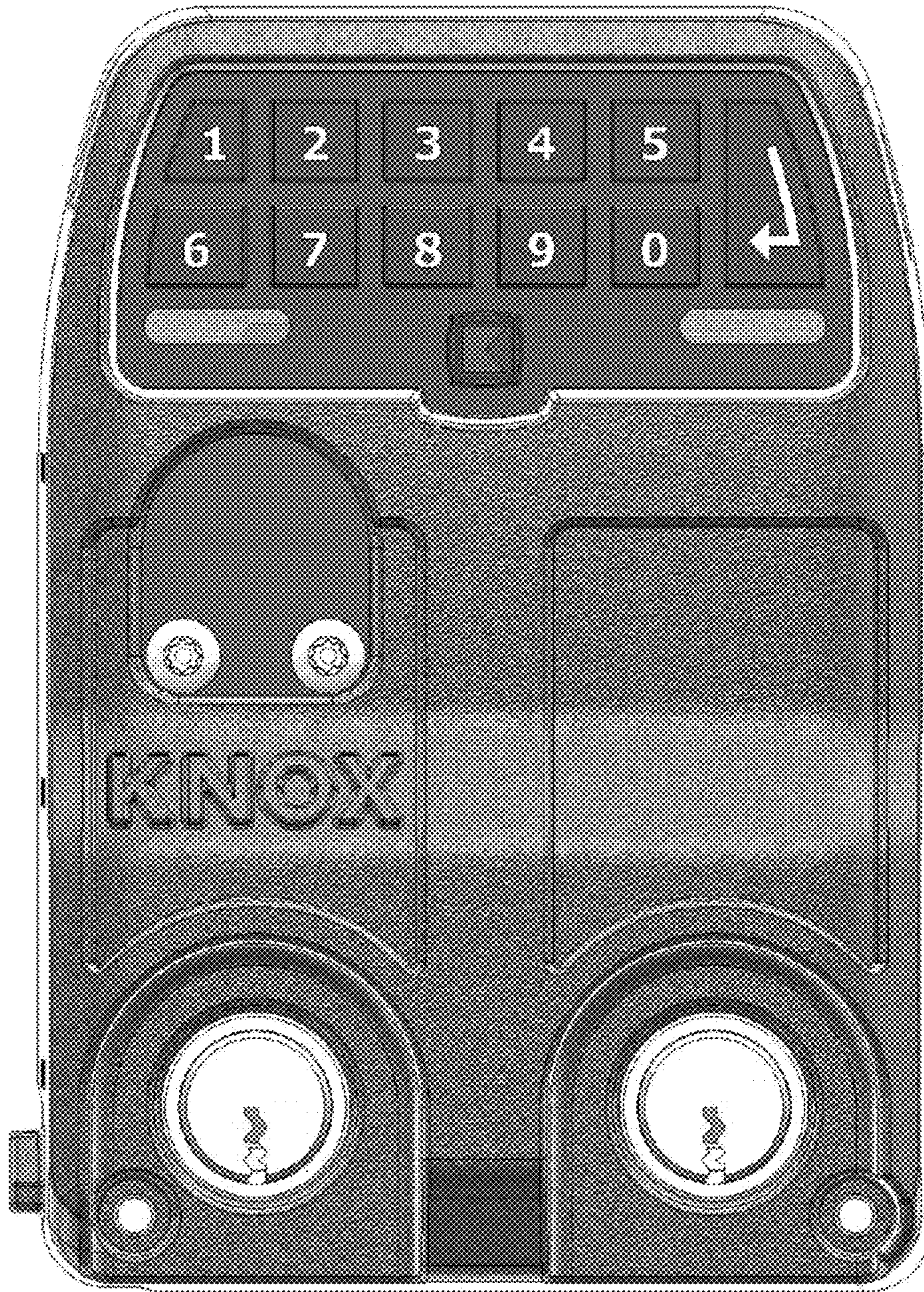


FIG. 3

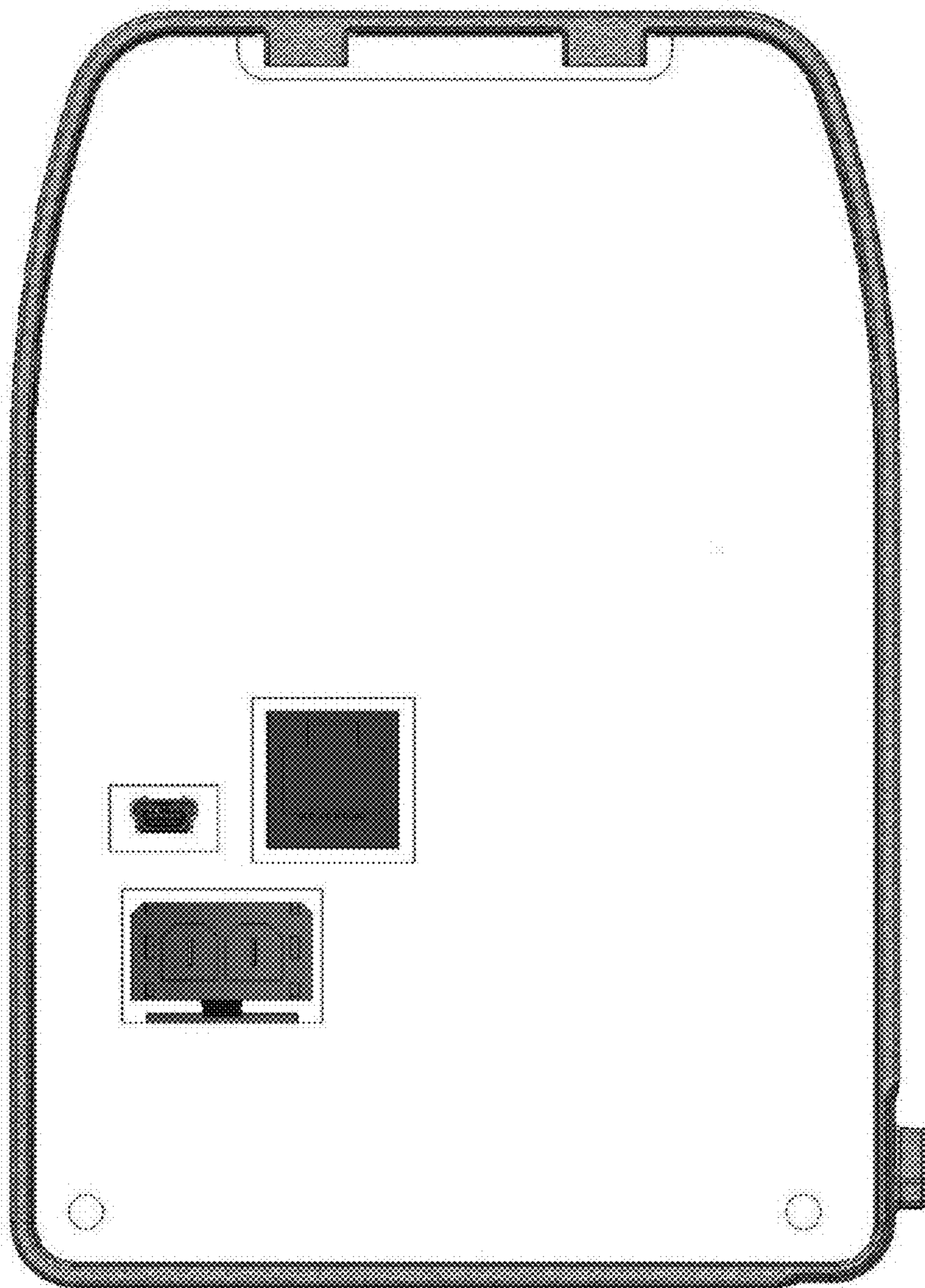


FIG. 4

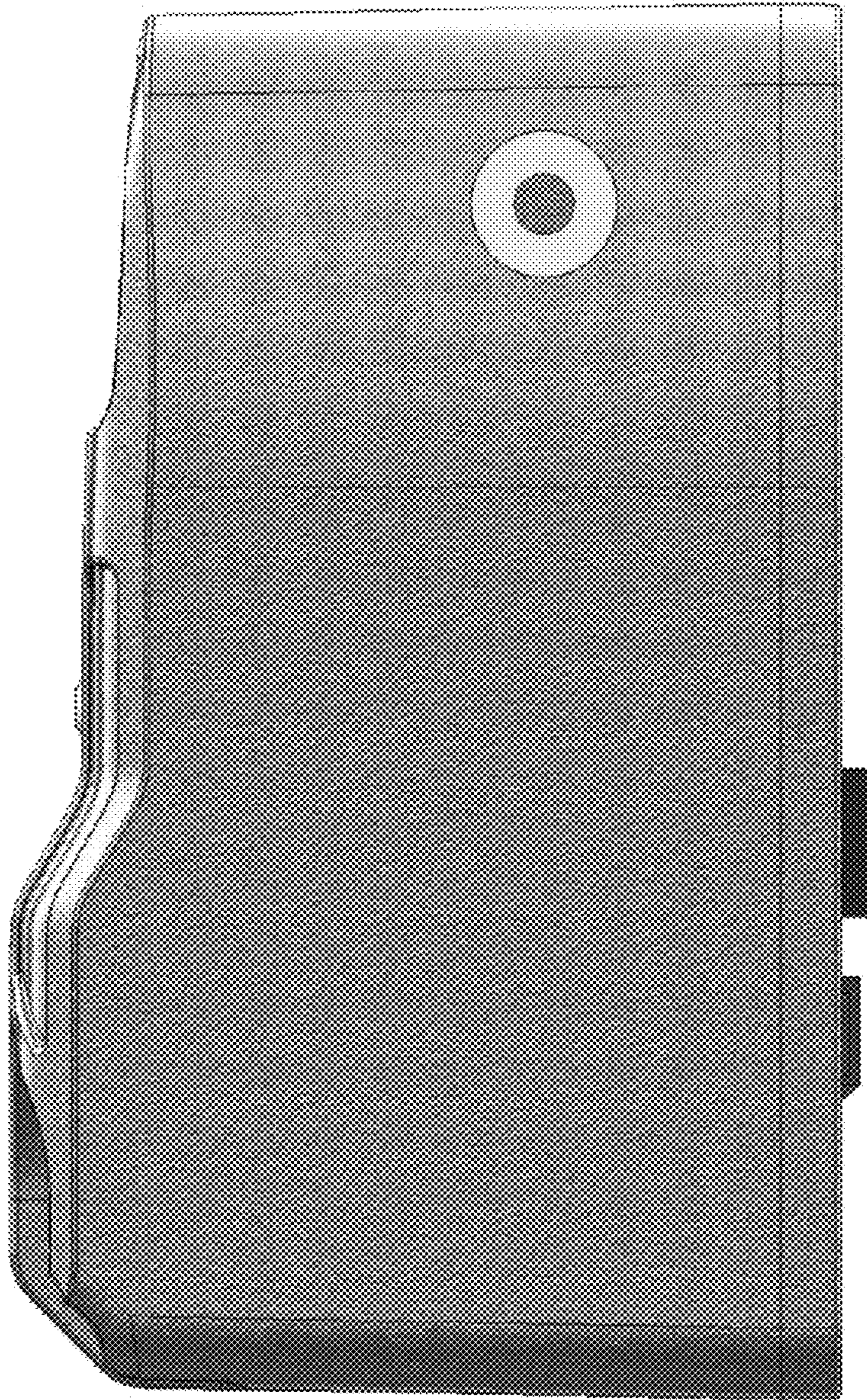


FIG. 5

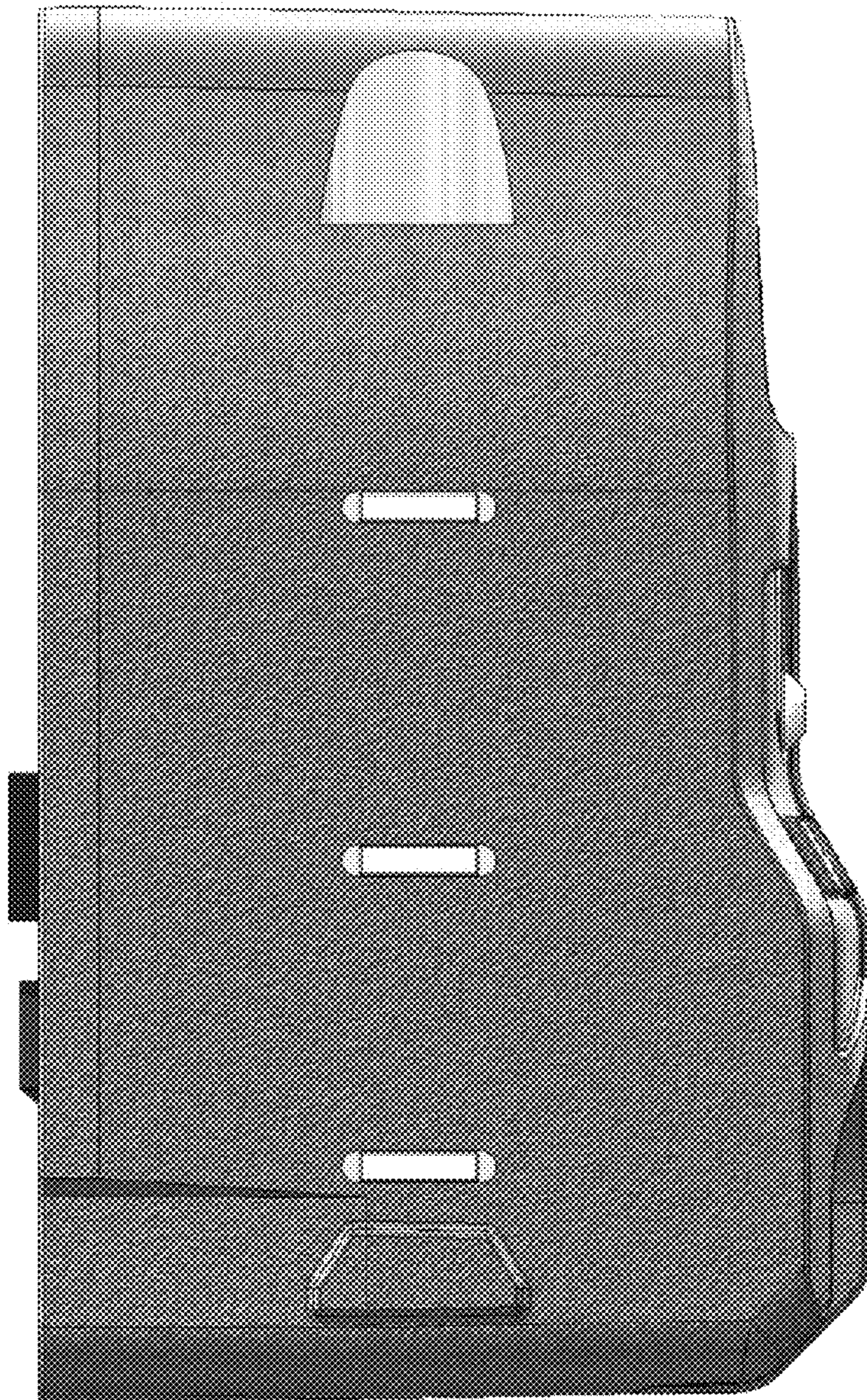


FIG. 6

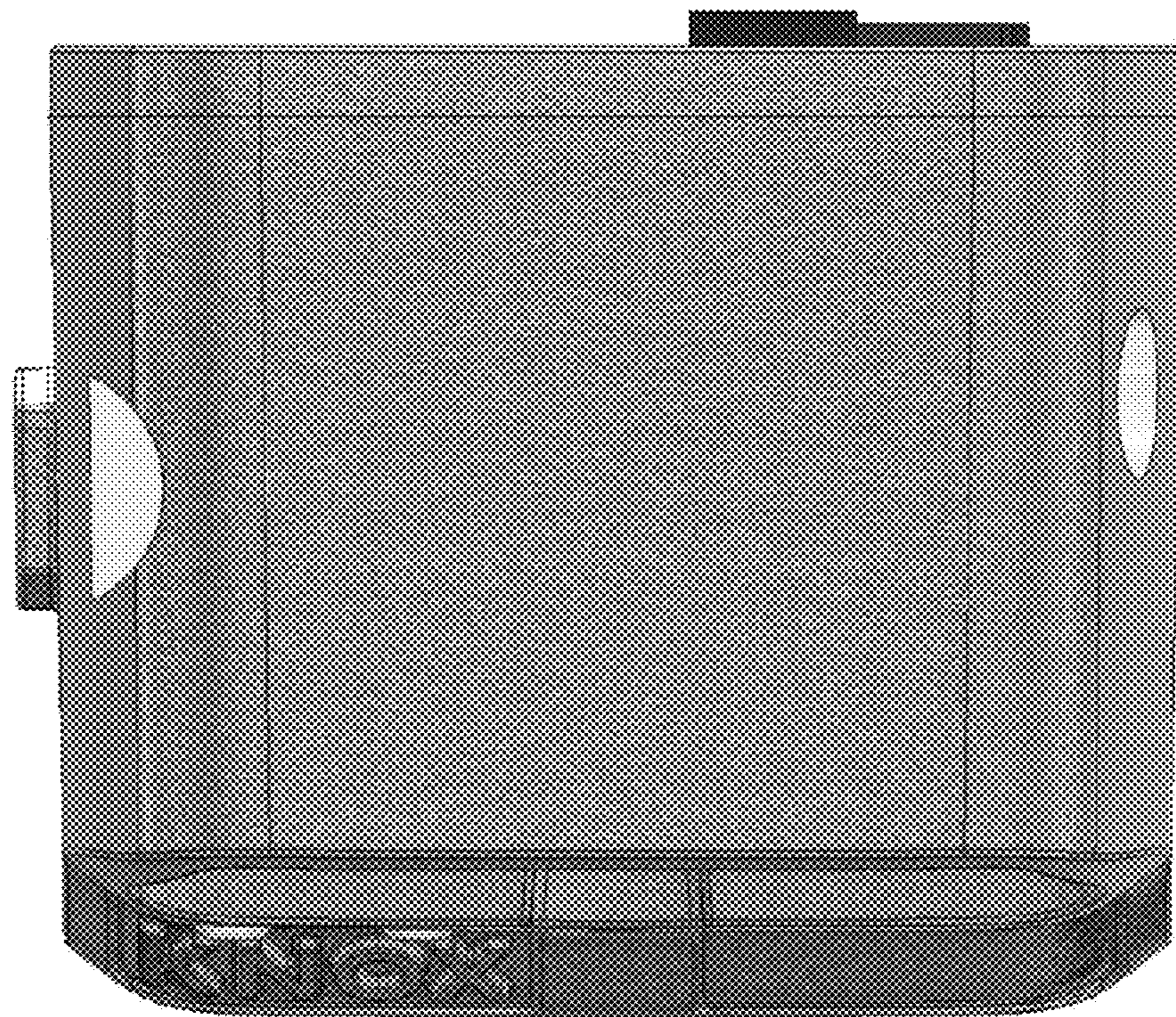


FIG. 7

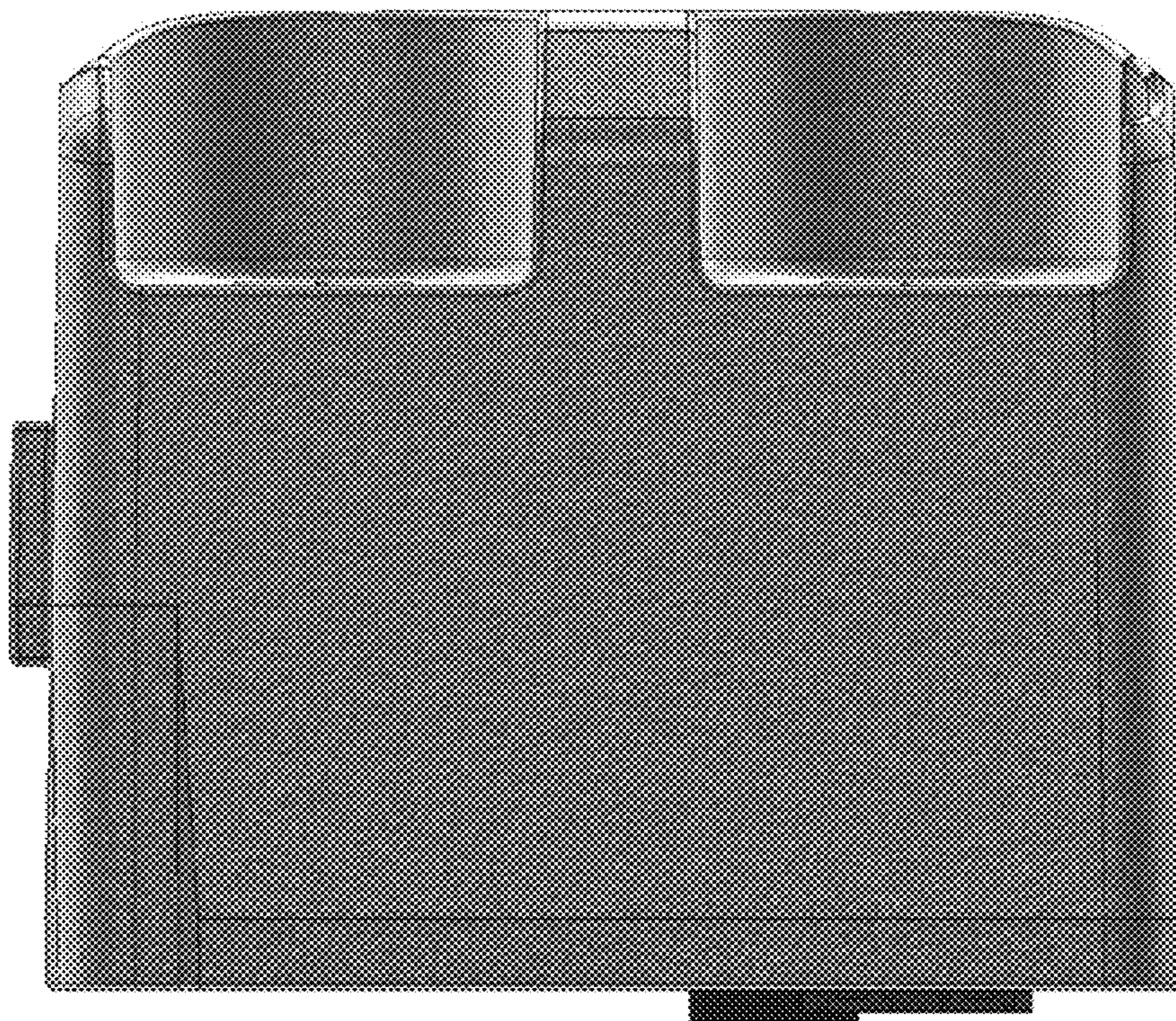


FIG. 8