



US00D931595S

(12) **United States Design Patent**
Wang

(10) **Patent No.:** **US D931,595 S**
(45) **Date of Patent:** **** Sep. 28, 2021**

- (54) **ROTATABLE BASE FOR AN UMBRELLA**
- (71) Applicant: **Linhai Guokang Leisure Products Co., Ltd., Zhejiang (CN)**
- (72) Inventor: **Ziguo Wang, Zhejiang (CN)**
- (73) Assignee: **Linhai Guokang Leisure Products Co., Ltd.**
- (**) Term: **15 Years**
- (21) Appl. No.: **29/713,886**
- (22) Filed: **Nov. 19, 2019**
- (51) **LOC (13) Cl.** **03-03**
- (52) **U.S. Cl.**
USPC **D3/10**
- (58) **Field of Classification Search**
USPC D3/5, 6, 10; D11/181, 182
CPC A45B 25/00; A45B 25/02; A45B 23/00;
A45B 2023/0037; A45B 2023/0006;
A45B 17/00; E04H 12/2238
See application file for complete search history.

- D470,305 S * 2/2003 Clarke D3/10
- 6,585,219 B2 * 7/2003 Li A45B 17/00
248/521
- D485,055 S * 1/2004 Taylor D3/10
- 6,889,953 B2 * 5/2005 Harbaugh E04H 12/2246
135/16
- D516,297 S * 3/2006 Smith D3/10
- D550,950 S * 9/2007 Vanderminden D3/10
- D568,603 S * 5/2008 Smith D3/10
- D573,786 S * 7/2008 Smith D3/10
- 7,431,259 B2 * 10/2008 Tung A45B 17/00
135/20.3
- 7,614,600 B1 * 11/2009 Smith G09F 23/00
135/16
- 7,836,902 B2 * 11/2010 Tung A45B 23/00
135/20.3
- D697,705 S * 1/2014 Ma D3/10
- D721,481 S * 1/2015 Elazar D3/10
- D724,309 S * 3/2015 Ma D3/10
- D732,817 S * 6/2015 Elstow D3/10
- D740,546 S * 10/2015 DeVaney D3/10

(Continued)

Primary Examiner — Steven J Czyz

(57) **CLAIM**

The ornamental design for a rotatable base for an umbrella, as shown and described.

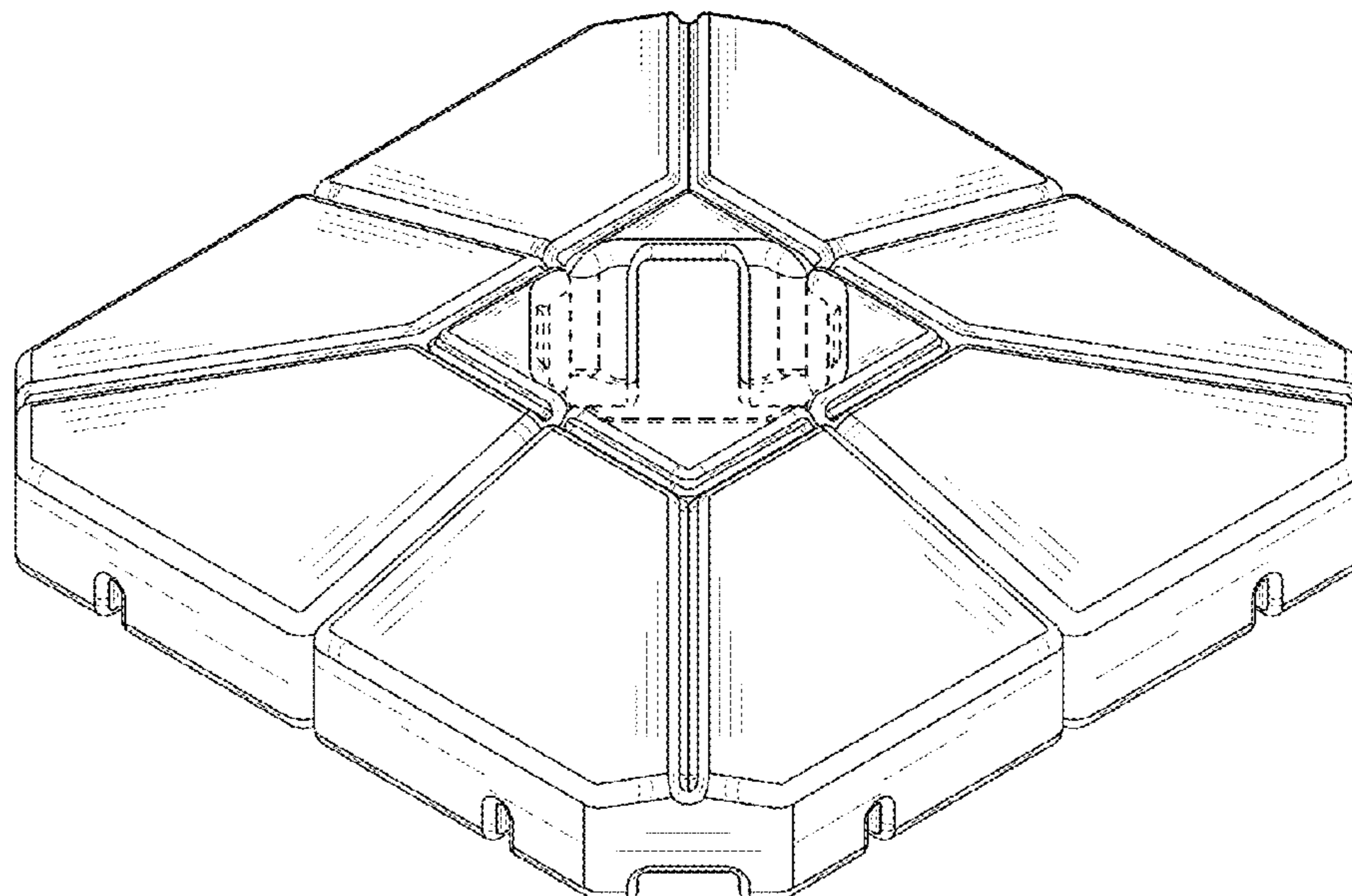
DESCRIPTION

FIG. 1 is a top view of the rotatable base for an umbrella showing my new design;
 FIG. 2 is a bottom view thereof;
 FIG. 3 is a front view thereof;
 FIG. 4 is a back view thereof;
 FIG. 5 is a left side view thereof;
 FIG. 6 is a right side view thereof; and,
 FIG. 7 is a top perspective view thereof.
 The broken lines in the figures are for the purpose of illustrating portions of the rotatable base for an umbrella, which form no part of the claimed design.

1 Claim, 7 Drawing Sheets

(56) **References Cited**
U.S. PATENT DOCUMENTS

- D285,883 S * 9/1986 Tegze D3/10
- 4,609,111 A * 9/1986 Astill A47F 5/02
104/44
- D305,702 S * 1/1990 Taliani D3/10
- 5,918,849 A * 7/1999 Bliss A47G 33/1213
248/523
- 6,367,494 B1 * 4/2002 Tung E04H 12/2238
135/44
- 6,446,930 B1 * 9/2002 Li E04H 12/2238
135/15.1
- 6,488,254 B2 * 12/2002 Li A45B 17/00
135/15.1
- 6,511,033 B2 * 1/2003 Li A45B 23/00
248/519



(56)

References Cited

U.S. PATENT DOCUMENTS

9,200,655 B2 * 12/2015 Pan F16B 9/056
D752,335 S * 3/2016 Stedman D3/10
D768,978 S * 10/2016 Ma D3/10
D771,935 S * 11/2016 Ma D3/10
D775,461 S * 1/2017 Ma D3/10
9,540,840 B2 * 1/2017 Ma E04H 12/2269
D817,631 S * 5/2018 Weng D3/10
10,100,969 B1 * 10/2018 Zhu B62B 5/04
D833,136 S * 11/2018 Ma D3/10
D855,967 S * 8/2019 Ma D3/10
10,711,481 B2 * 7/2020 Zhu A45B 25/00
10,813,425 B2 * 10/2020 Shen E04H 12/2238
D917,151 S * 4/2021 Wang D3/10

* cited by examiner

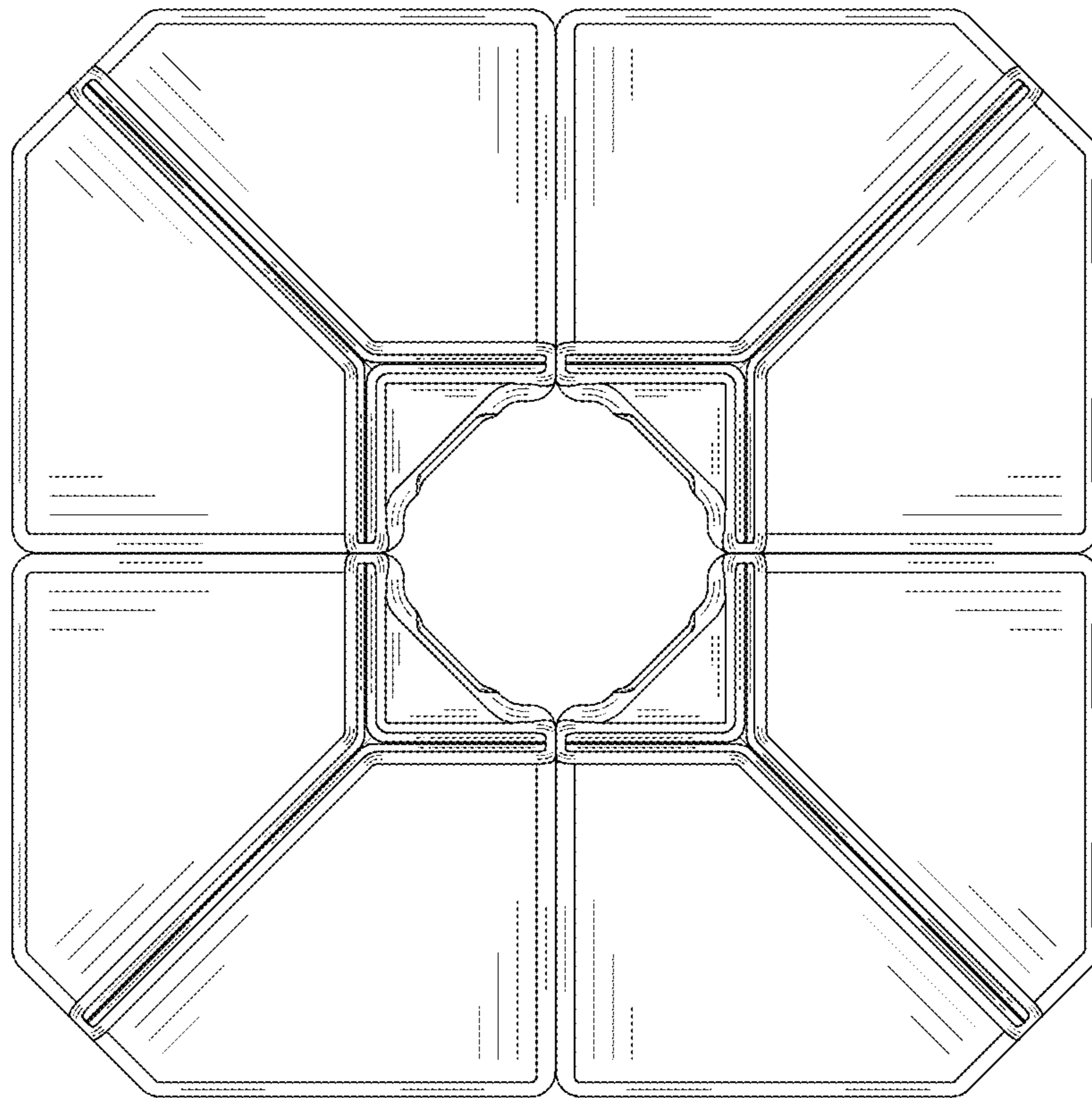


FIG. 1

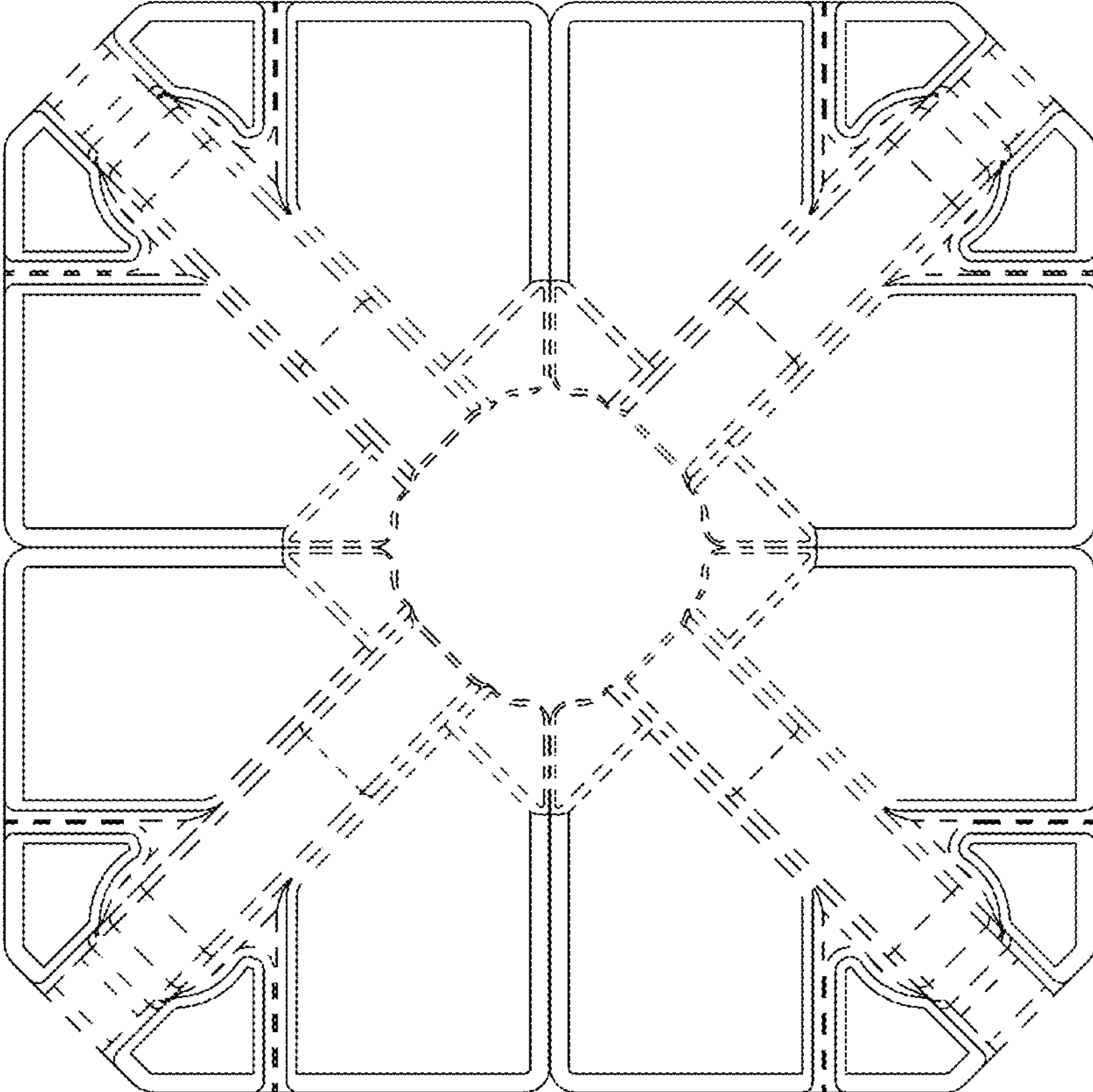


FIG. 2

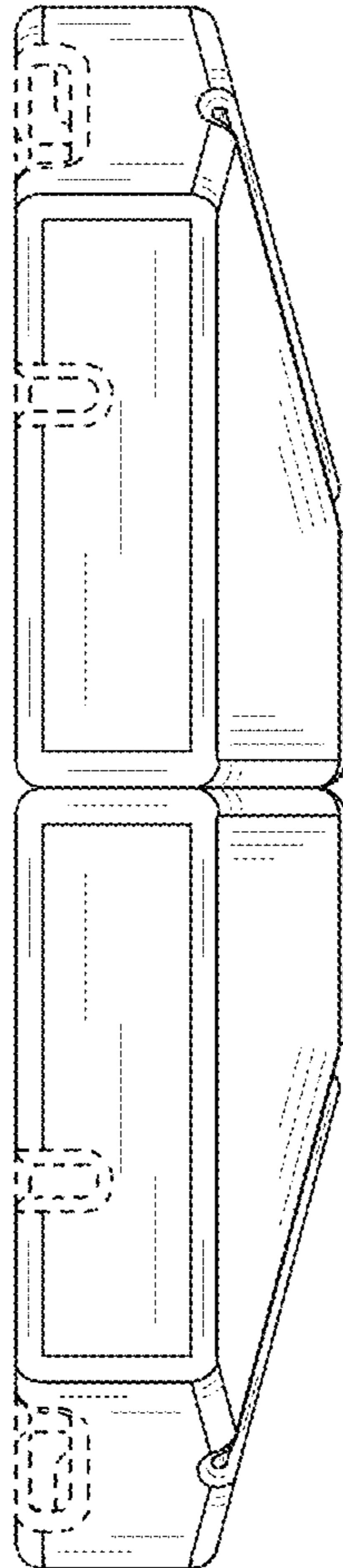


FIG. 3

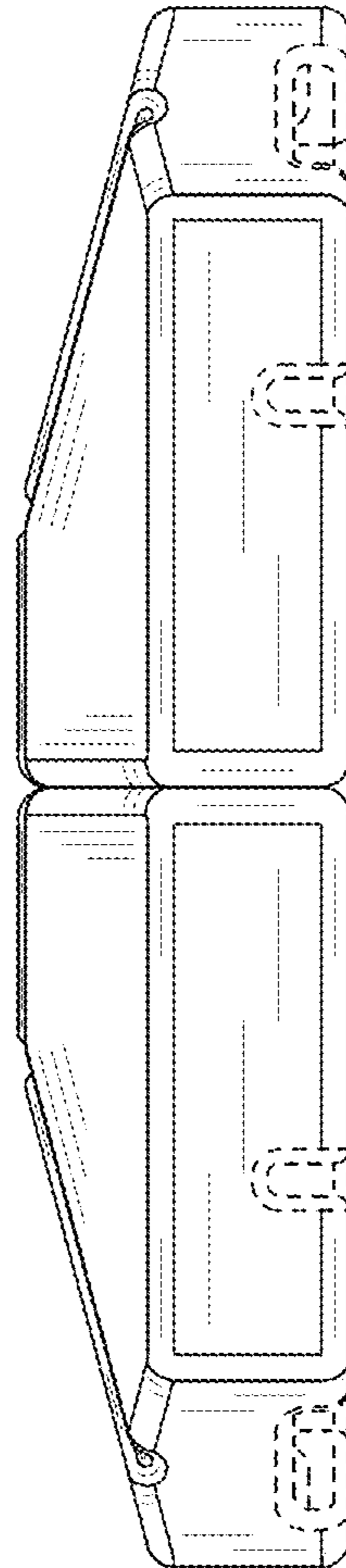


FIG. 4

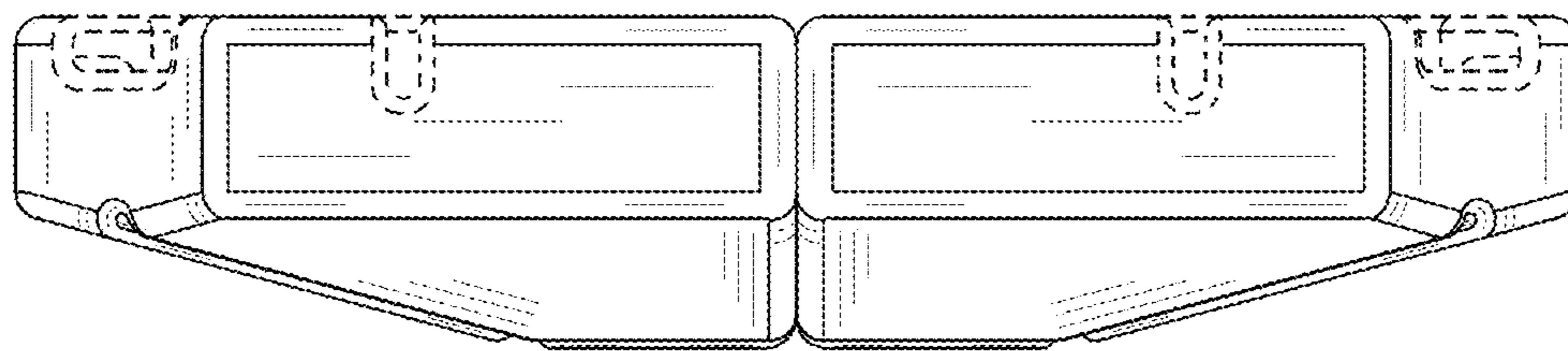


FIG. 5

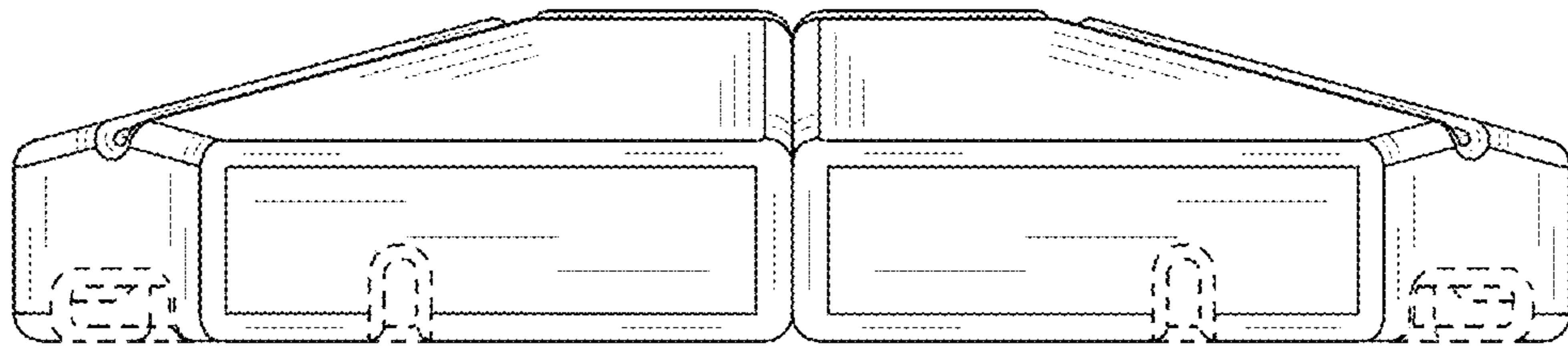


FIG. 6

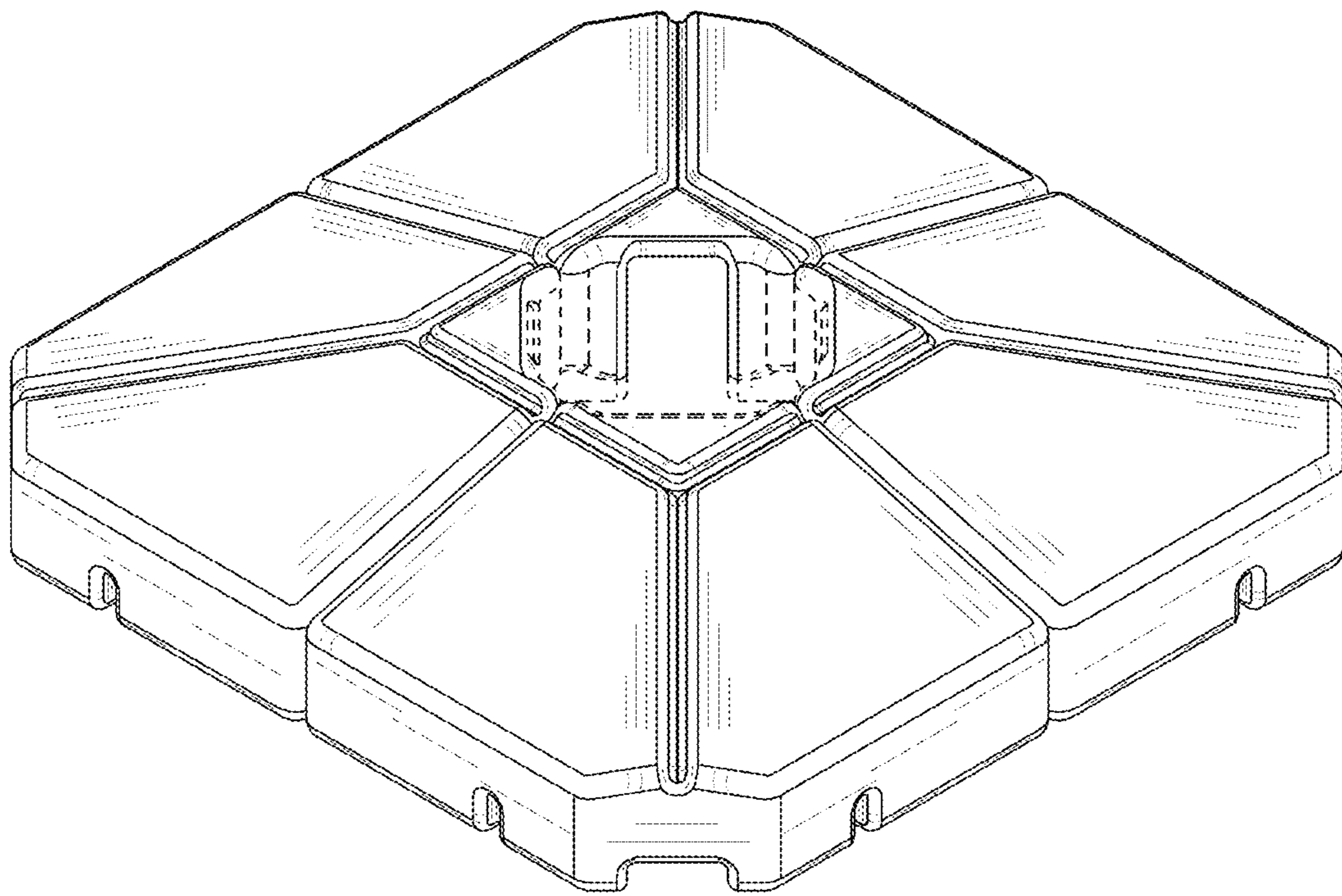


FIG. 7