



US00D931592S

(12) **United States Design Patent**  
**Stefan**

(10) **Patent No.:** **US D931,592 S**

(45) **Date of Patent:** **\*\* Sep. 28, 2021**

- (54) **FOOTWEAR ARTICLE**
- (71) Applicant: **Fuerst Group, Inc.**, Menlo Park, CA (US)
- (72) Inventor: **Otto Stefan**, Portland, OR (US)
- (73) Assignee: **Fuerst Group, Inc.**, Menlo Park, CA (US)
- (\*\*) Term: **15 Years**
- (21) Appl. No.: **29/710,026**
- (22) Filed: **Oct. 18, 2019**
- (51) **LOC (13) Cl.** ..... **02-04**
- (52) **U.S. Cl.**  
USPC ..... **D2/970; D2/910**
- (58) **Field of Classification Search**  
USPC ..... D2/896, 901–905, 909–916, 918, D2/919–922, 923–925, 935, 943, 944, D2/961, 969, 970, 971, 979; 36/83, 84  
CPC ..... A43B 23/022; A43B 23/0225; A43B 23/0235; A43B 23/024; A43B 23/027; A43B 23/04; A43B 23/045; A43B 23/047; A43B 23/00; A43B 23/02; A43B 23/0205; A43B 23/021; A43B 23/0215; A43B 3/02; A43B 3/04; A43B 3/06; A43B 3/08; A43B 1/00; A43B 1/02; A43B 1/04; A43B 1/06; A43B 1/08; A43B 1/10; A43B 1/14; A43B 5/00; A43B 5/002; A43B 5/006; A43B 5/04; A43B 5/0401; A43B 5/0405; A43B 5/06; A43B 5/08; A43B 5/10; A43B 5/16; A43B 5/1616

See application file for complete search history.

(56) **References Cited**

**U.S. PATENT DOCUMENTS**

- D269,731 S \* 7/1983 Mattiuzzo ..... D2/912
- D375,193 S \* 11/1996 Kallen ..... D2/912

- D392,444 S \* 3/1998 Egelja ..... D2/910
- D397,544 S \* 9/1998 Egelja ..... D2/902
- D479,388 S \* 9/2003 Matis ..... D2/969
- 6,952,891 B2 \* 10/2005 Hirayama ..... A43B 5/0405  
36/10
- D516,793 S \* 3/2006 Sedlbauer ..... D2/970
- D524,523 S \* 7/2006 Le ..... D2/970
- D581,647 S \* 12/2008 St-Louis ..... D2/970
- D637,383 S \* 5/2011 McCourt ..... D2/970
- D641,147 S \* 7/2011 Adams ..... D2/970
- D661,472 S \* 6/2012 Ghedin ..... D2/912
- D696,844 S \* 1/2014 Curtis ..... A43B 3/248  
D2/944
- D740,535 S \* 10/2015 Joseph ..... D2/970
- D789,048 S \* 6/2017 Lee ..... D2/912
- D794,303 S \* 8/2017 Vega ..... D2/970
- D797,432 S \* 9/2017 Avar ..... D2/972
- D805,757 S \* 12/2017 Pierone ..... D2/973
- D838,445 S \* 1/2019 Kains ..... D2/912

(Continued)

*Primary Examiner* — Elizabeth J Oswecki  
*Assistant Examiner* — Yelizaveta Y Masalimova  
(74) *Attorney, Agent, or Firm* — McCoy Russell LLP

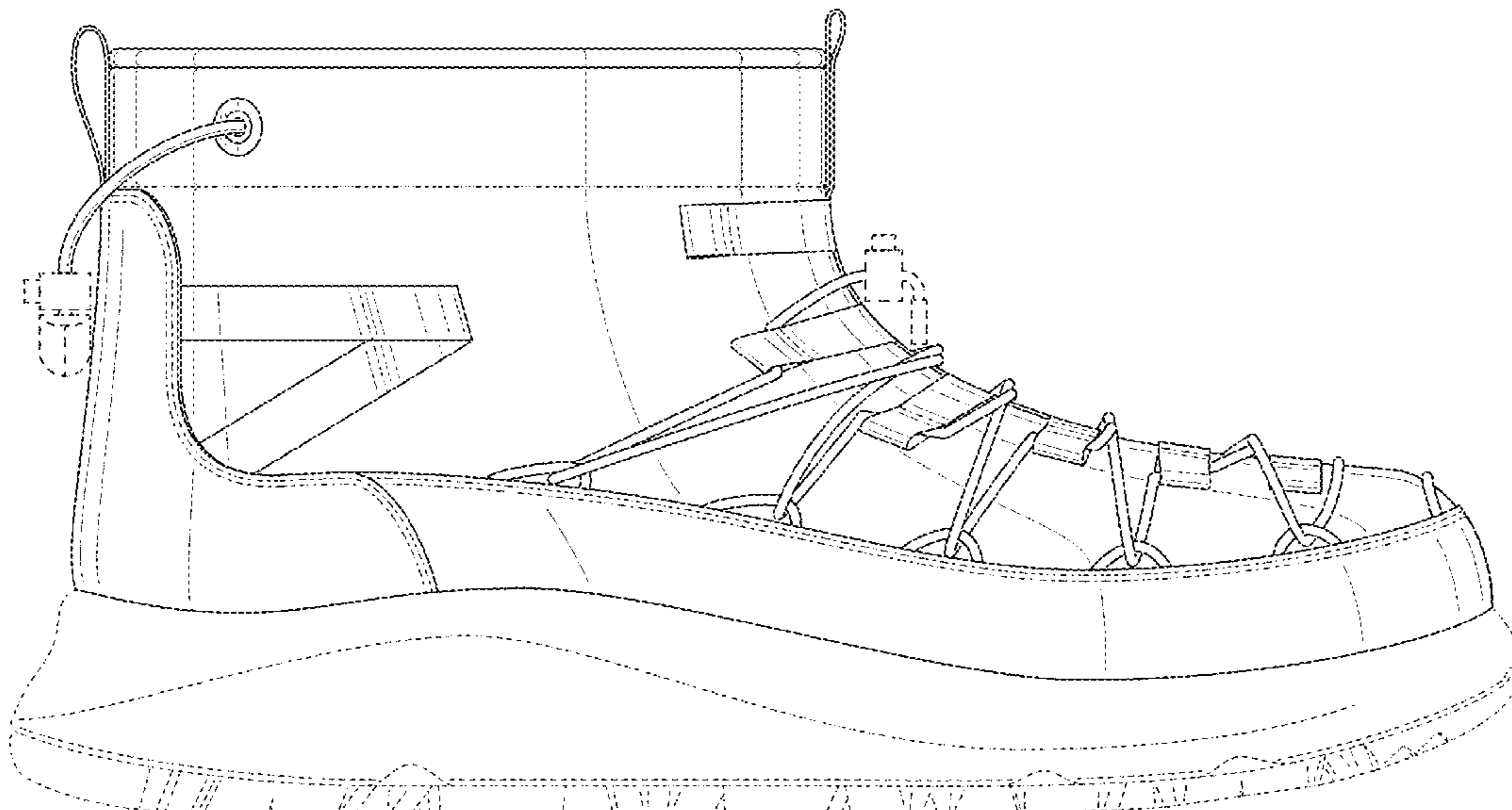
(57) **CLAIM**

The ornamental design for a footwear article, as shown and described.

**DESCRIPTION**

FIG. 1 is a front view of a footwear article showing my new design;  
FIG. 2 is a rear view thereof;  
FIG. 3 is a right side view thereof;  
FIG. 4 is a left side view thereof;  
FIG. 5 is a top view thereof; and,  
FIG. 6 is a bottom view thereof.  
The broken lines in the drawings illustrate portions of the footwear article that form no part of the claimed design.  
The long-dash-short-dash broken lines in the drawings represent stitching that forms no part of the claimed design.

**1 Claim, 6 Drawing Sheets**



(56)

**References Cited**

U.S. PATENT DOCUMENTS

D844,311 S \* 4/2019 Belley ..... D2/969  
D849,386 S \* 5/2019 Androschuk ..... D2/970  
D886,432 S \* 6/2020 Dean ..... D2/969  
D886,433 S \* 6/2020 Dean ..... D2/969  
2003/0066207 A1\* 4/2003 Gaither ..... A43C 3/02  
36/50.1  
2012/0199277 A1\* 8/2012 Loveder ..... A43B 1/0027  
156/242  
2017/0027286 A1\* 2/2017 Luedecke ..... A43B 23/0215

\* cited by examiner

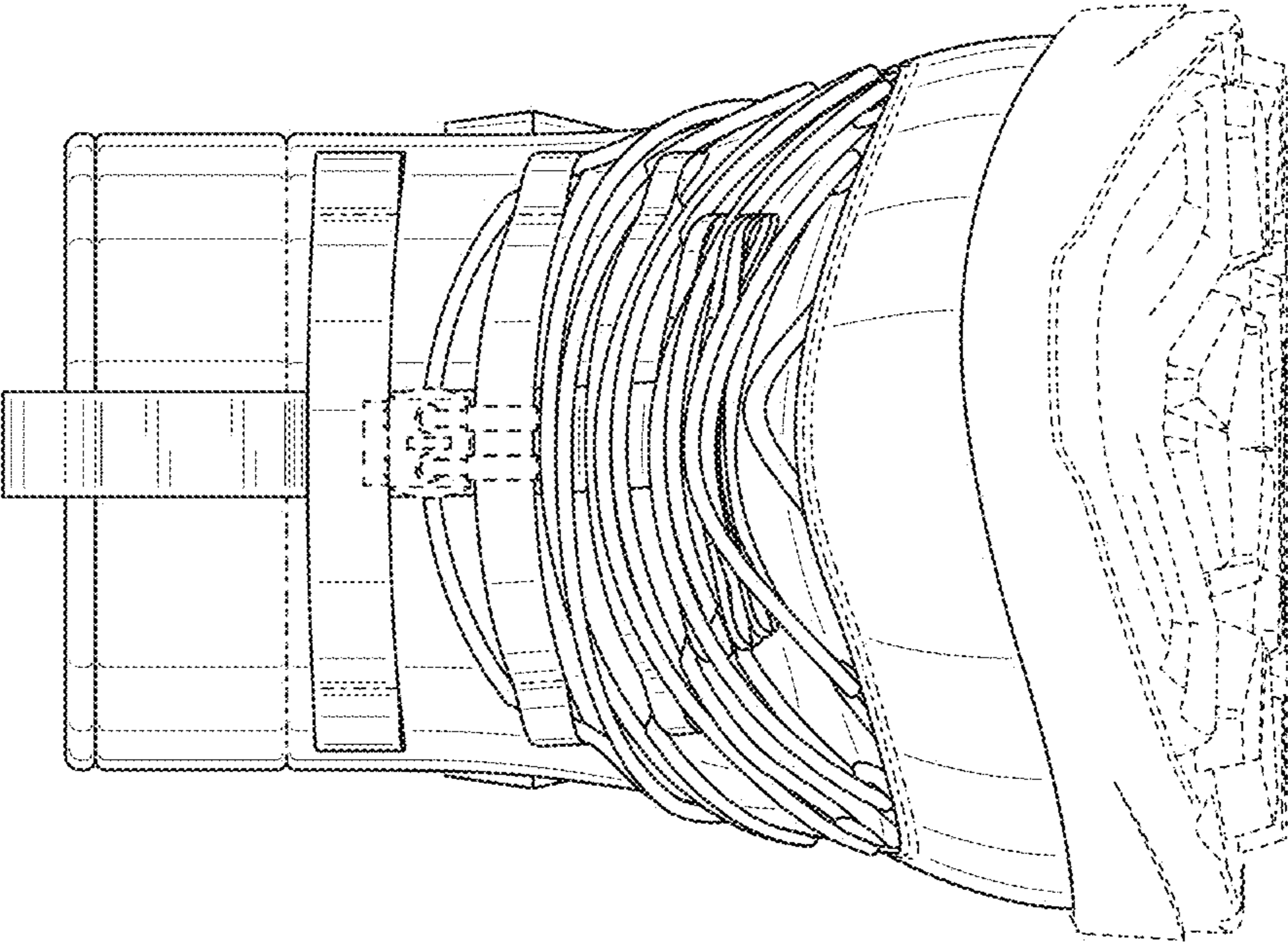


FIG. 1

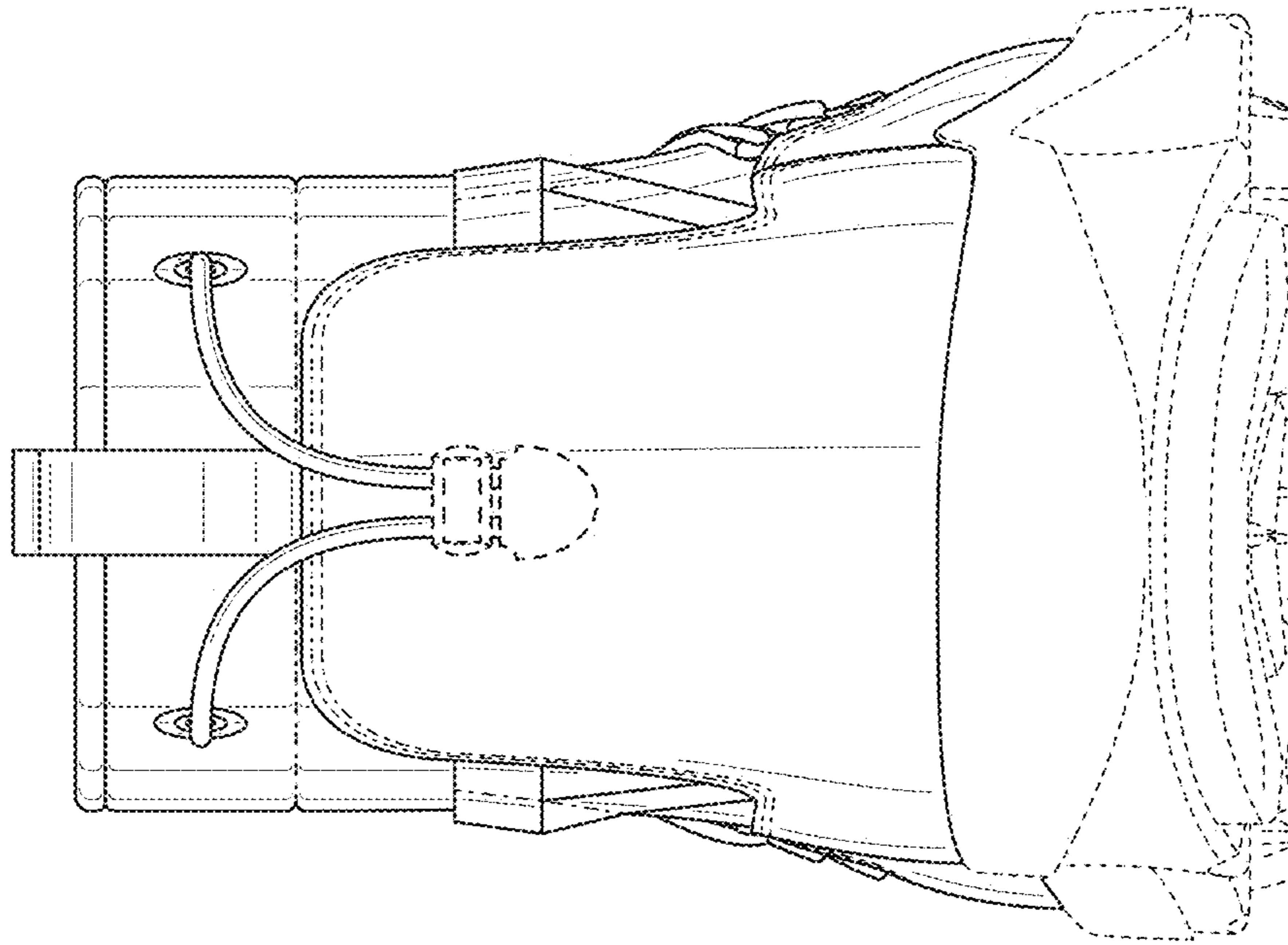


FIG. 2

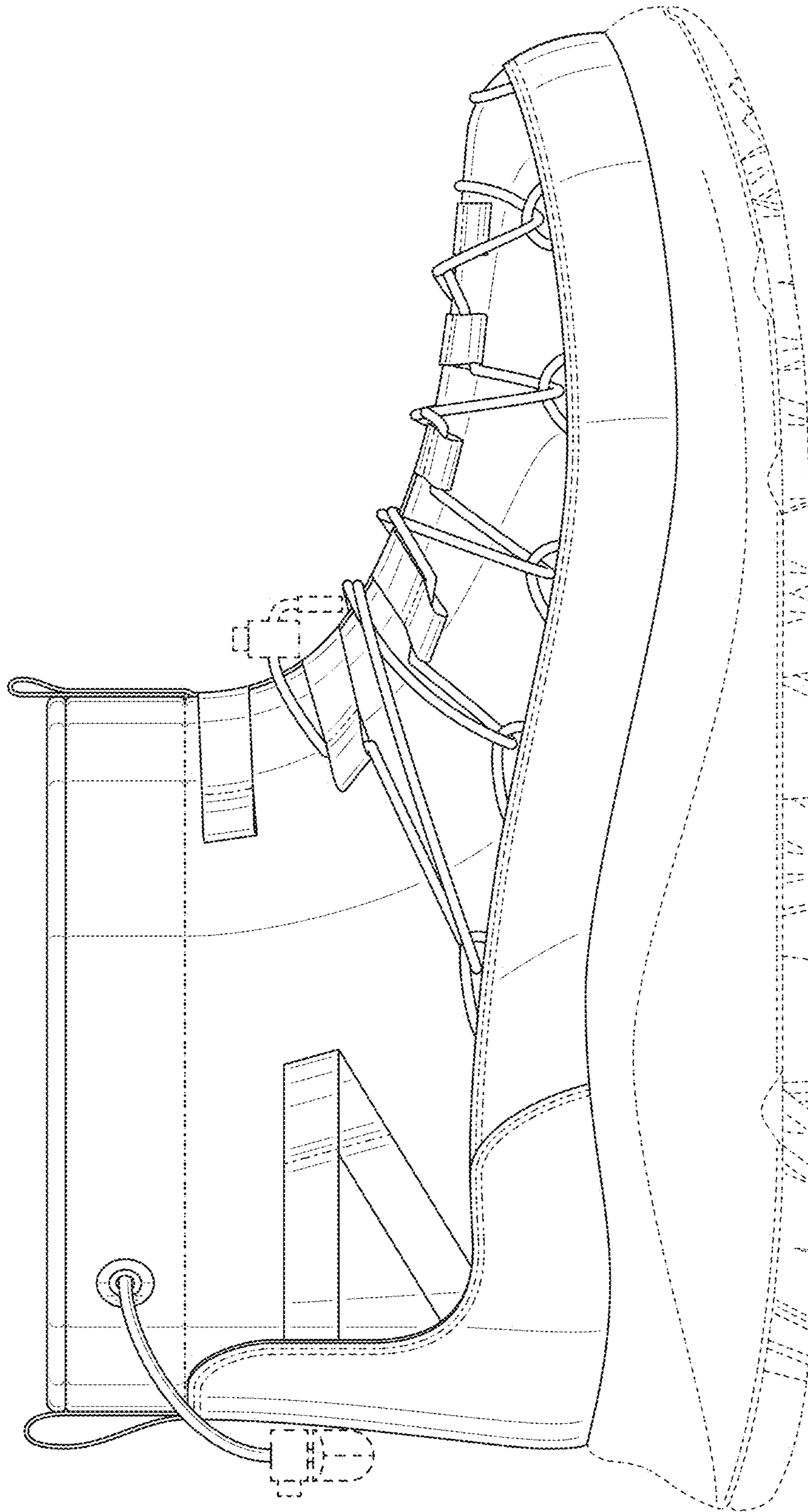


FIG. 3

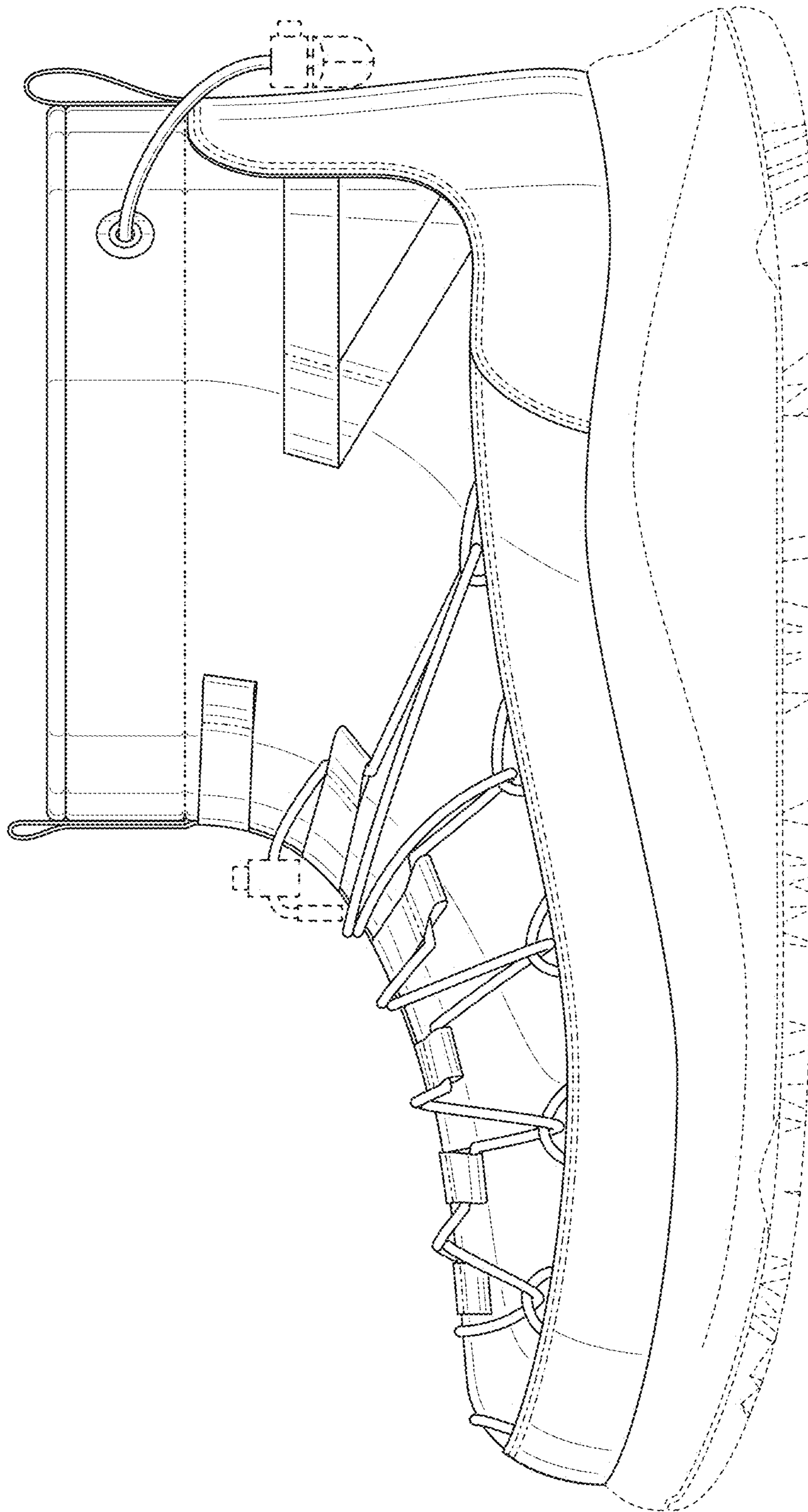


FIG. 4

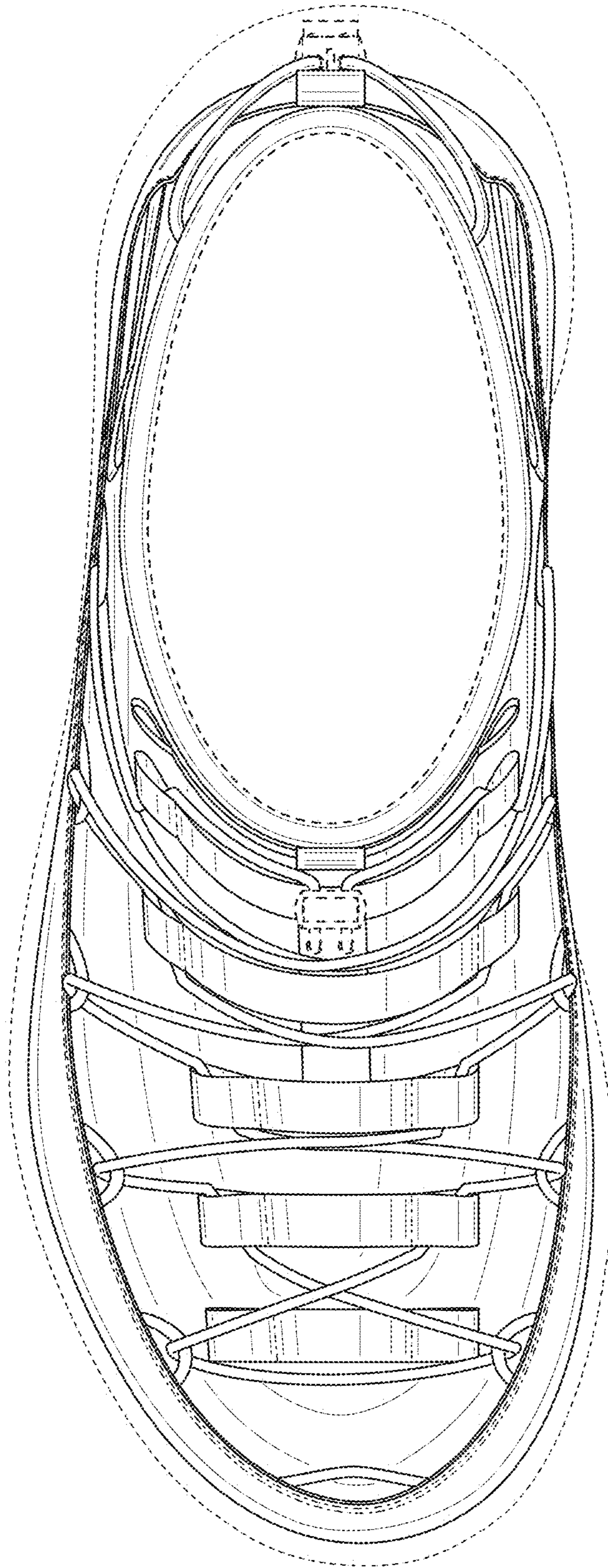


FIG. 5

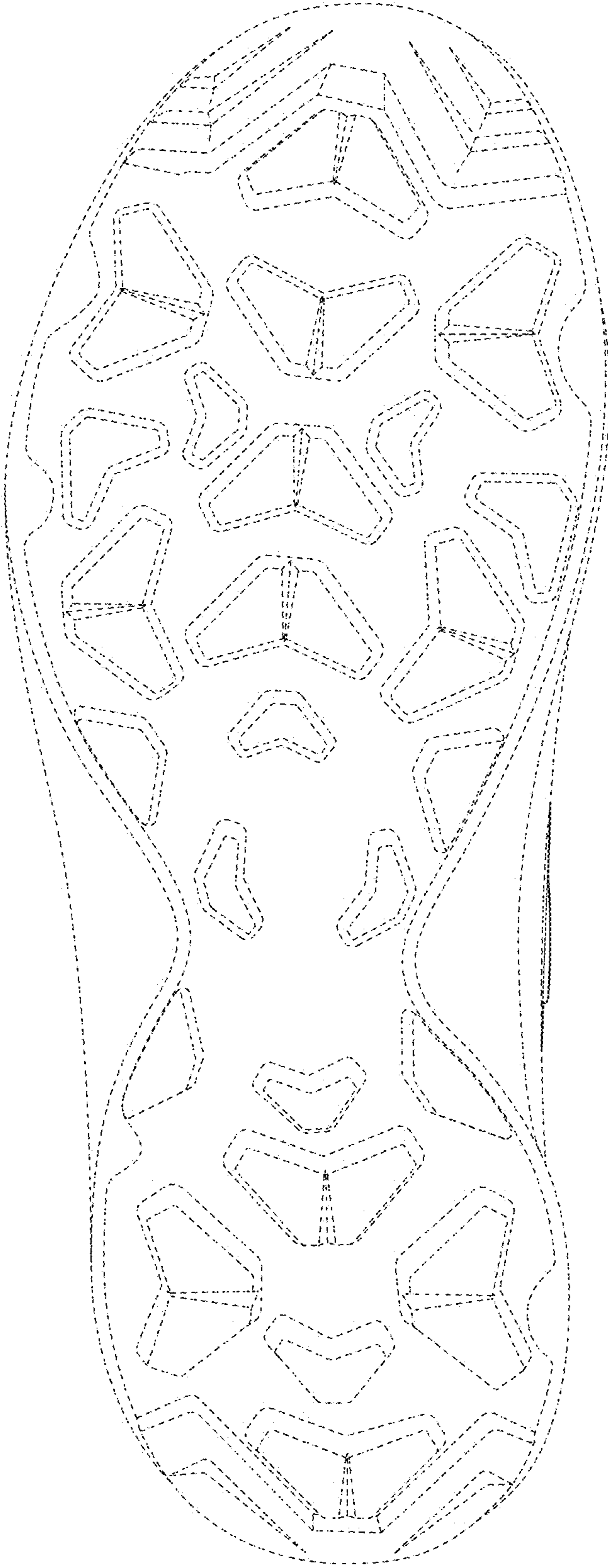


FIG. 6