



US00D931587S

(12) **United States Design Patent**  
**Kou**

(10) **Patent No.:** **US D931,587 S**

(45) **Date of Patent:** **\*\* Sep. 28, 2021**

- (54) **FOOTWEAR SOLE**
- (71) Applicant: **Saucony, Inc.**, Waltham, MA (US)
- (72) Inventor: **Xing Kou**, Fujian (CN)
- (73) Assignee: **Saucony, Inc.**, Waltham, MA (US)
- (\*\*) Term: **15 Years**
- (21) Appl. No.: **29/716,964**
- (22) Filed: **Dec. 13, 2019**
- (51) **LOC (13) Cl.** ..... **02-04**
- (52) **U.S. Cl.**  
USPC ..... **D2/957**; D2/951; D2/953; D2/960
- (58) **Field of Classification Search**  
USPC ..... D2/902, 906, 908, 916, 918, 925,  
D2/946-962, 977; 36/3 B, 22 R, 24.5,  
36/25 R, 28, 32 R, 34 R, 59 C, 67 A, 103  
CPC ..... A43B 13/00; A43B 13/02; A43B 13/023;  
A43B 13/026; A43B 13/04; A43B 13/08;  
A43B 13/10; A43B 13/12; A43B 13/14;  
A43B 13/141; A43B 13/143; A43B  
13/16; A43B 13/18; A43B 13/181; A43B  
13/187; A43B 13/189; A43B 13/20; A43B  
13/22; A43B 13/223; A43B 13/24; A43B  
13/28; A43B 13/30; A43B 13/32; A43B  
13/34; A43B 13/36  
See application file for complete search history.

(56) **References Cited**

**U.S. PATENT DOCUMENTS**

- D273,246 S \* 4/1984 Tonkel ..... D2/956
- D281,460 S \* 11/1985 Parker ..... D2/957
- D291,941 S \* 9/1987 Peterson ..... D2/957
- D296,724 S \* 7/1988 Peterson ..... D2/957
- D298,683 S \* 11/1988 Kelley ..... D2/954
- D316,476 S \* 4/1991 Brinker ..... D2/946
- D316,930 S \* 5/1991 Bernasconi ..... D2/957
- D339,461 S \* 9/1993 Kayano ..... D2/957

- D339,464 S \* 9/1993 Teague ..... D2/953
- D388,314 S \* 12/1997 Tresser ..... D2/951
- D405,597 S \* 2/1999 Carlson ..... D2/960
- D409,362 S \* 5/1999 Turner ..... D2/960
- D410,966 S \* 6/1999 Cretinon ..... D2/960
- D411,911 S \* 7/1999 Carlson ..... D2/957
- D456,982 S \* 5/2002 Rogers ..... D2/947
- D476,141 S \* 6/2003 Matis ..... D2/954
- D476,142 S \* 6/2003 Matis ..... D2/954
- D476,470 S \* 7/2003 Matis ..... D2/957
- D478,412 S \* 8/2003 Adams ..... D2/956
- D498,904 S \* 11/2004 Lee ..... D2/953
- D499,239 S \* 12/2004 Burg ..... D2/953
- D503,522 S \* 4/2005 Schoenborn ..... D2/952
- D504,757 S \* 5/2005 Schoenborn ..... D2/952
- D505,249 S \* 5/2005 Urie ..... D2/953

(Continued)

*Primary Examiner* — T Chase Nelson

(74) *Attorney, Agent, or Firm* — Warner Norcross + Judd LLP

(57) **CLAIM**

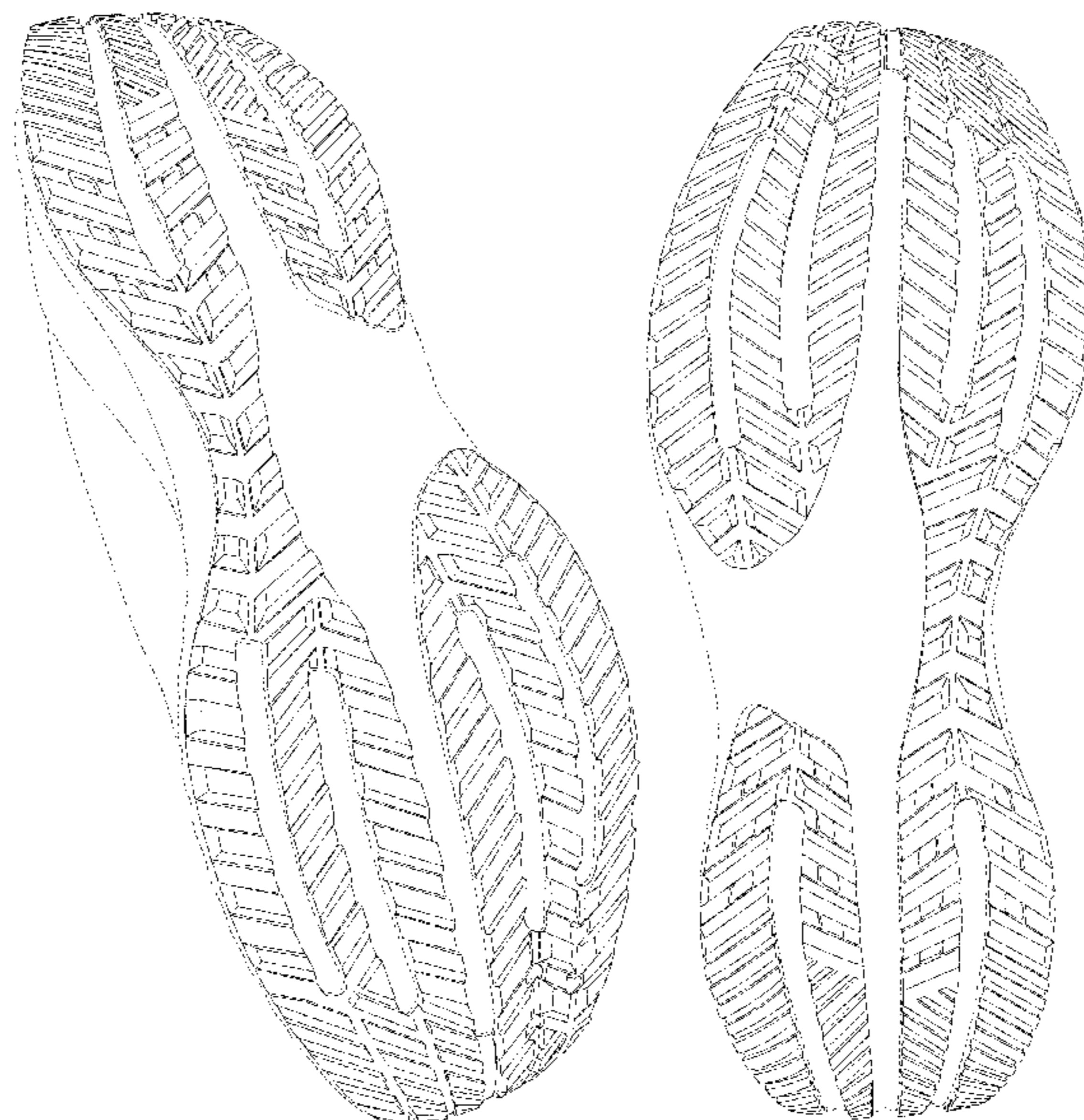
The ornamental design for a footwear sole, as shown and described.

**DESCRIPTION**

FIG. 1 is a perspective view of the footwear sole embodying the new design;  
 FIG. 2 is a bottom view thereof;  
 FIG. 3 is a right side view thereof;  
 FIG. 4 is a left side view thereof;  
 FIG. 5 is a front view thereof; and,  
 FIG. 6 is a rear view thereof.

FIGS. 1-6 show portions of an article of footwear in broken lines. The portions illustrated in broken lines are shown for environmental purposes and do not form any part of the claimed design. Further, the broken lines immediately adjacent the solid-line portions of the design form the boundary of the design, with the broken lines forming no part of the claimed design.

**1 Claim, 5 Drawing Sheets**



(56)

References Cited

U.S. PATENT DOCUMENTS

D506,305 S \* 6/2005 Link ..... D2/947  
 D524,018 S \* 7/2006 Deas ..... D2/947  
 D552,335 S \* 10/2007 Matis ..... D2/953  
 D569,595 S \* 5/2008 Le ..... D2/957  
 D604,932 S \* 12/2009 Le ..... D2/951  
 D609,441 S \* 2/2010 Wawrousek ..... D2/957  
 D612,137 S \* 3/2010 Duan ..... D2/956  
 D649,337 S \* 11/2011 Wilken ..... D2/960  
 D710,078 S \* 8/2014 Joseph ..... D2/957  
 D712,122 S \* 9/2014 Tucker ..... D2/953  
 D713,135 S \* 9/2014 Tucker ..... D2/957  
 D724,830 S \* 3/2015 Joseph ..... D2/957  
 D730,639 S \* 6/2015 Molin ..... D2/957  
 D734,005 S \* 7/2015 Seo ..... D2/947  
 D735,983 S \* 8/2015 Cietto ..... D2/960  
 D751,797 S \* 3/2016 Slimane ..... D2/908  
 D790,177 S \* 6/2017 Engel ..... D2/954  
 D790,824 S \* 7/2017 Shen ..... D2/959  
 D797,421 S \* 9/2017 McCourt ..... D2/957  
 D801,660 S \* 11/2017 Young ..... D2/960

D811,065 S \* 2/2018 Hardman ..... D2/957  
 D811,066 S \* 2/2018 Young ..... D2/960  
 D844,306 S \* 4/2019 Hobson ..... D2/951  
 D847,478 S \* 5/2019 Fracassi ..... D2/957  
 D848,718 S \* 5/2019 Mahoney ..... D2/957  
 D871,739 S \* 1/2020 O'Connor ..... D2/960  
 D882,925 S \* 5/2020 Cobb ..... D2/960  
 D889,102 S \* 7/2020 Hatfield ..... D2/960  
 D891,062 S \* 7/2020 Jenkins ..... D2/957  
 D893,148 S \* 8/2020 de Montgolfier ..... D2/953  
 D893,149 S \* 8/2020 de Montgolfier ..... D2/953  
 D893,154 S \* 8/2020 de Montgolfier ..... D2/960  
 D894,573 S \* 9/2020 de Montgolfier ..... D2/960  
 D894,574 S \* 9/2020 de Montgolfier ..... D2/960  
 D898,339 S \* 10/2020 Prybella ..... D2/980  
 D900,451 S \* 11/2020 Jury ..... D2/960  
 D915,052 S \* 4/2021 Odinot ..... D2/960  
 2007/0119076 A1 \* 5/2007 Brewer ..... A43B 7/14  
 36/30 R  
 2012/0198723 A1 \* 8/2012 Borisov ..... A43B 7/147  
 36/91  
 2019/0091895 A1 \* 3/2019 Knappworst ..... B29C 64/171

\* cited by examiner

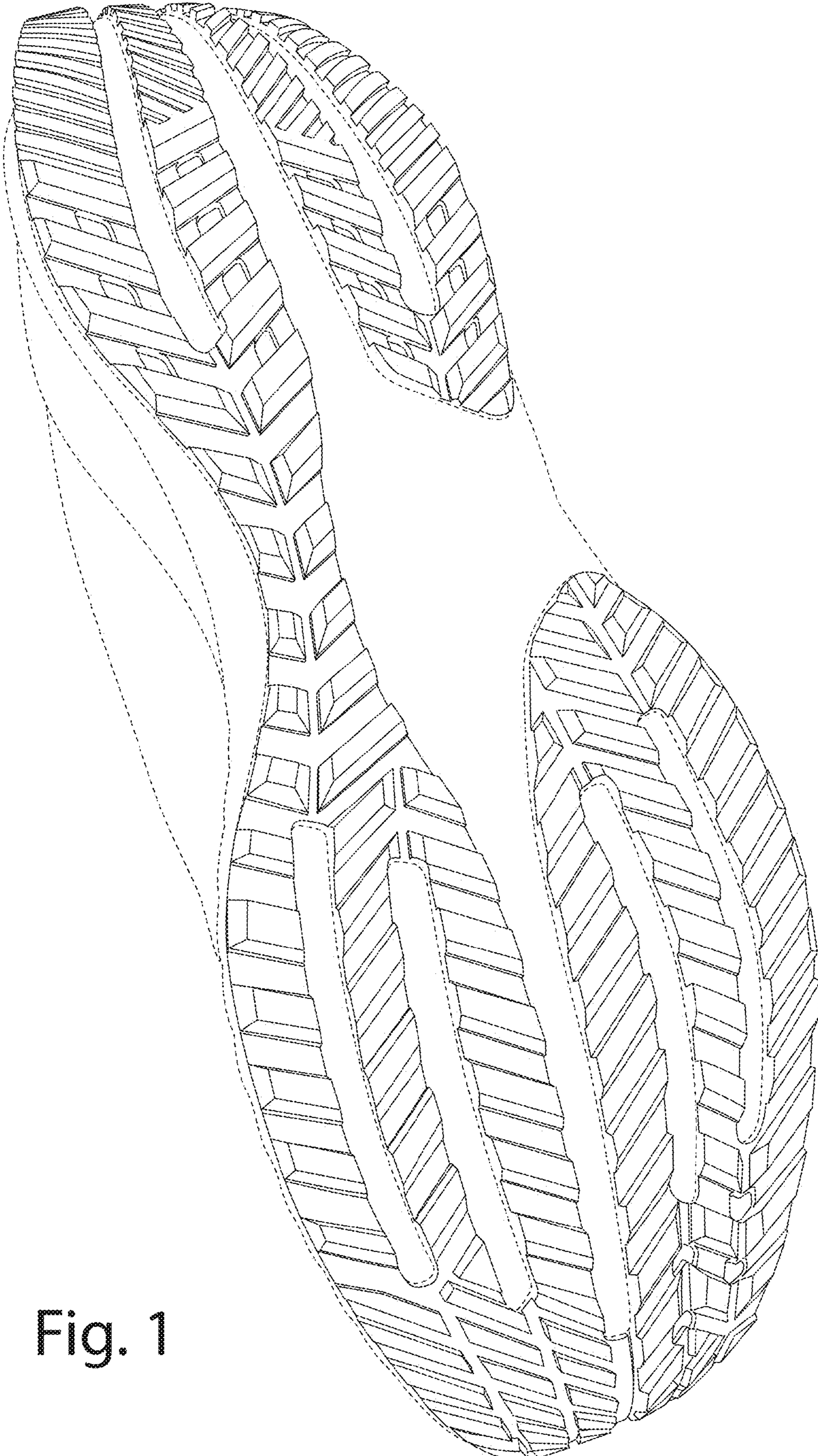


Fig. 1

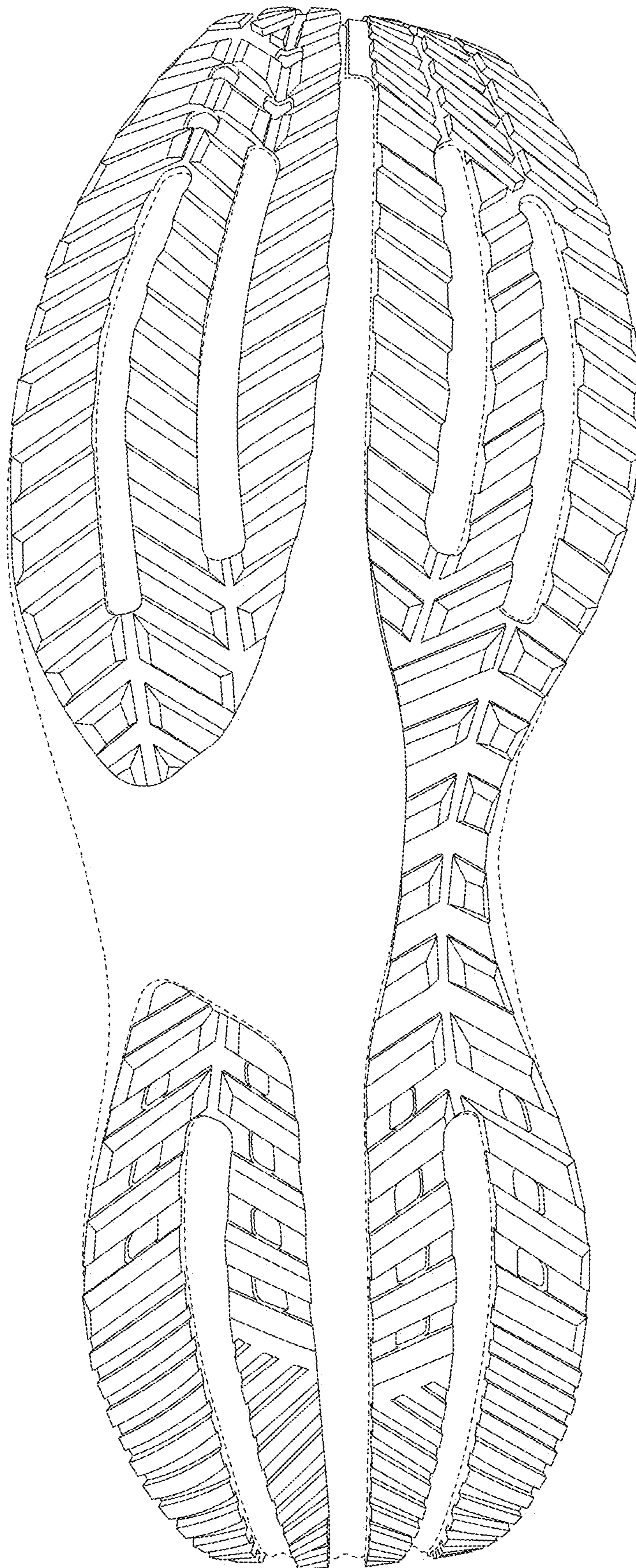


Fig. 2

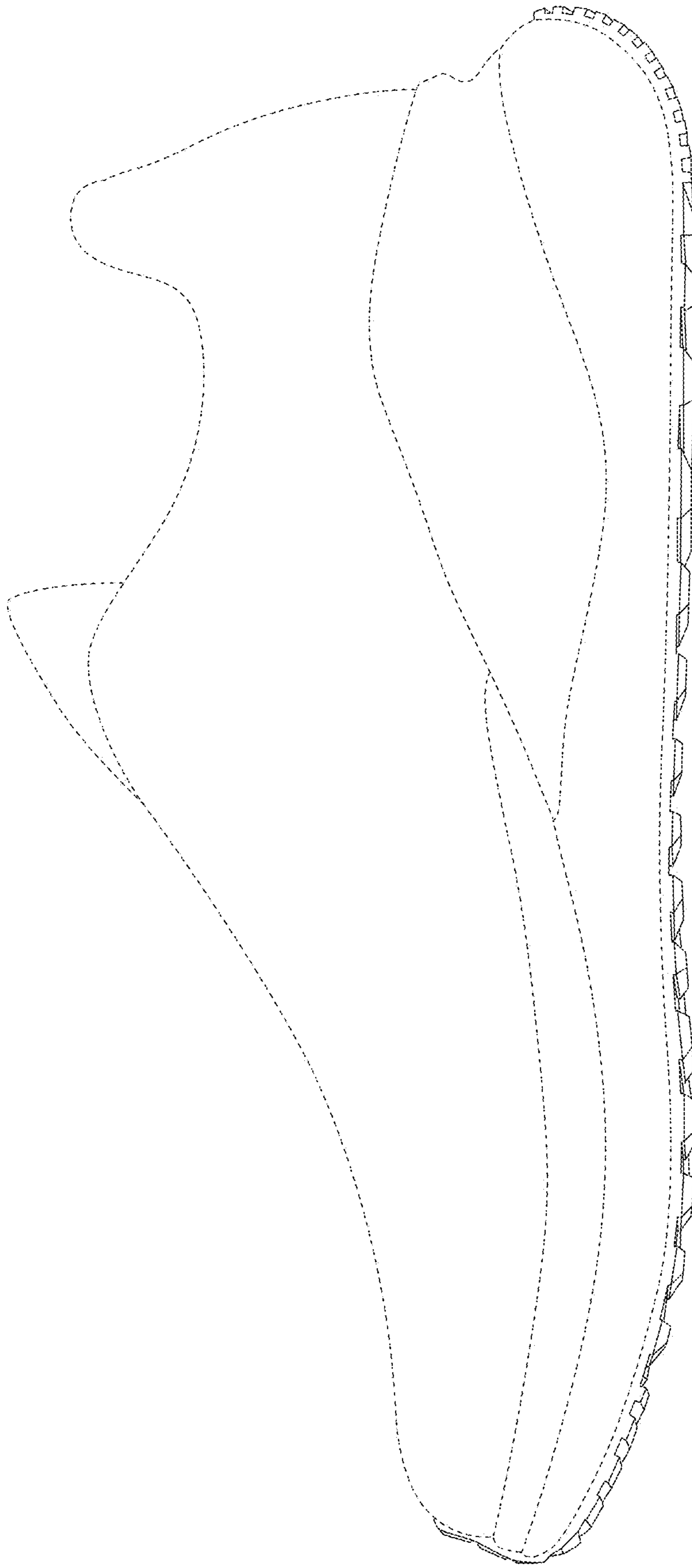


Fig. 3



Fig. 4

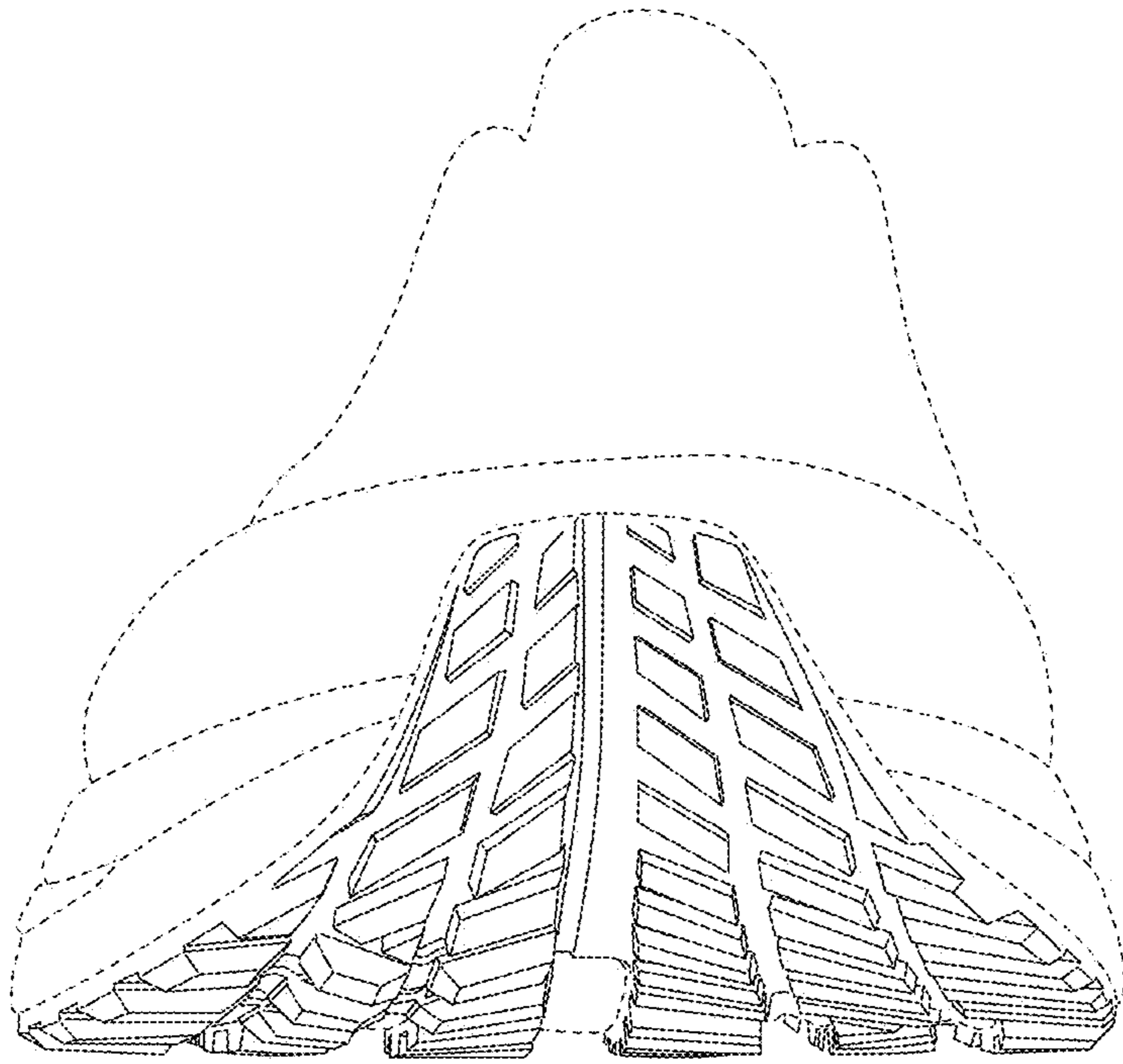


Fig. 5

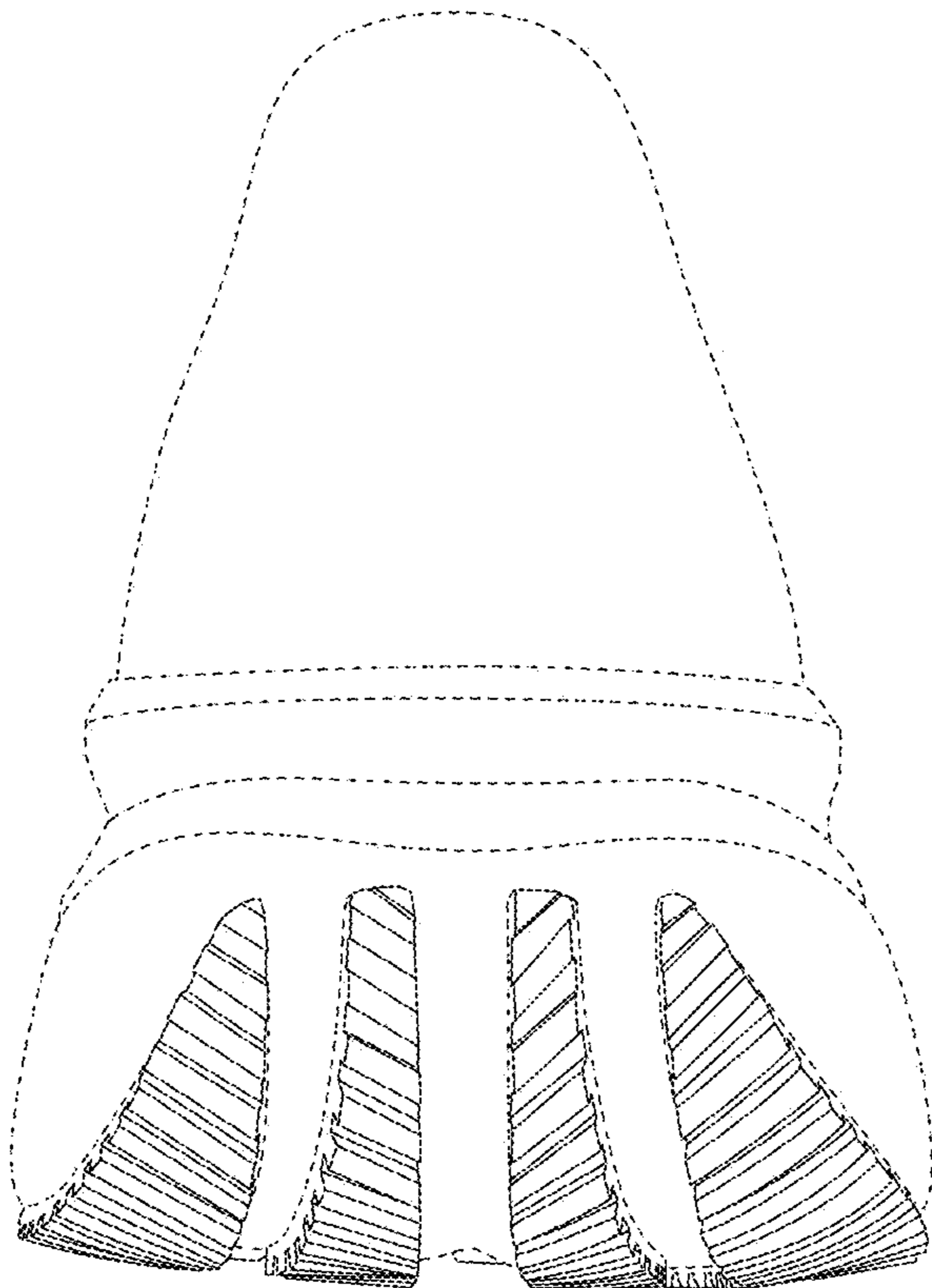


Fig. 6