



US00D931586S

(12) **United States Design Patent**
Roemer

(10) **Patent No.:** **US D931,586 S**

(45) **Date of Patent:** **** Sep. 28, 2021**

- (54) **BASEBALL SHOE SOLE**
- (71) Applicant: **Richard Roemer**, Old Bridge, NJ (US)
- (72) Inventor: **Richard Roemer**, Old Bridge, NJ (US)
- (**) Term: **15 Years**
- (21) Appl. No.: **29/703,584**
- (22) Filed: **Aug. 28, 2019**
- (51) **LOC (13) Cl.** **02-04**
- (52) **U.S. Cl.**
USPC **D2/957; D2/947; D2/951; D2/962**
- (58) **Field of Classification Search**
USPC D2/902, 906, 908, 916, 918, 925,
D2/946-962, 977; 36/3 B, 22 R, 24.5,
36/25 R, 28, 32 R, 34 R, 59 C, 67 A, 103
CPC A43B 13/00; A43B 13/02; A43B 13/023;
A43B 13/026; A43B 13/04; A43B 13/08;
A43B 13/10; A43B 13/12; A43B 13/14;
A43B 13/141; A43B 13/143; A43B
13/16; A43B 13/18; A43B 13/181; A43B
13/187; A43B 13/189; A43B 13/20; A43B
13/22; A43B 13/223; A43B 13/24; A43B
13/28; A43B 13/30; A43B 13/32; A43B
13/34; A43B 13/36
See application file for complete search history.

(56) **References Cited**

U.S. PATENT DOCUMENTS

- 1,594,056 A * 7/1926 Percival A43C 15/162
36/59 R
- 1,677,370 A * 7/1928 Roewade A43B 5/025
36/128
- 2,032,596 A 3/1936 Shannon
- 2,101,723 A * 12/1937 Smith A43B 5/02
36/128
- 2,634,515 A * 4/1953 Saitta A43B 5/02
36/89
- 2,986,825 A * 6/1961 Moore A43C 13/04
36/59 R

- 3,040,450 A * 6/1962 Phillips A43C 15/162
36/126
- 3,310,889 A * 3/1967 Samuels A43B 5/02
36/72 R
- D210,864 S * 4/1968 Tusa D2/906
- 3,466,040 A 9/1969 Sertich
- 3,497,972 A 3/1970 Lyman
- D235,392 S * 6/1975 Blumenfeld D2/906
- D243,976 S * 4/1977 Dassler D2/906
- D248,514 S * 7/1978 Lu D2/906
- 4,224,750 A * 9/1980 Delport A43B 7/144
36/128
- 4,347,674 A * 9/1982 George A43C 13/04
36/126
- D271,159 S * 11/1983 Muller-Feigelstock
A43C 15/168
D2/955

(Continued)

FOREIGN PATENT DOCUMENTS

WO WO 2006100447 A1 9/2006

Primary Examiner — T Chase Nelson

(74) *Attorney, Agent, or Firm* — Lawrence G. Fridman,
Esq; Feigin & Fridman, LLC

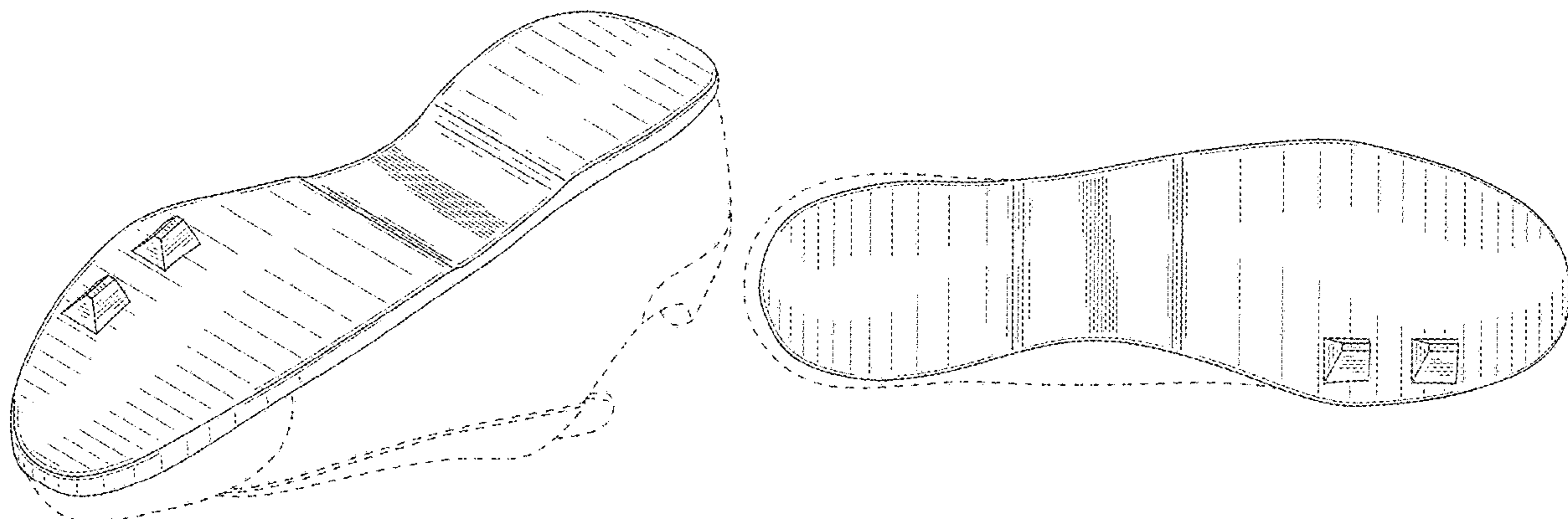
(57) **CLAIM**

The ornamental design for a baseball shoe sole, as shown and described.

DESCRIPTION

FIG. 1 is a perspective view of a baseball shoe sole according to my new design;
 FIG. 2 is a top plan view thereof;
 FIG. 3 is one side elevational view thereof;
 FIG. 4 is another side elevational view thereof;
 FIG. 5 is a front elevational view thereof; and,
 FIG. 6 is a rear elevational view thereof.
 The broken lines are for the purpose of illustrating an environmental structure and form no part of the claimed design.

1 Claim, 5 Drawing Sheets



US D931,586 S

Page 2

(56)

References Cited

U.S. PATENT DOCUMENTS

D272,771	S *	2/1984	Muller Feigelstock	D2/906	10,028,551	B2 *	7/2018	Cavaliere	A43B 13/122
D272,772	S *	2/1984	Kohno	D2/954	10,064,447	B2 *	9/2018	Wright	A43B 13/00
4,527,344	A *	7/1985	Mozena	A43C 15/16	D838,446	S *	1/2019	Mantey	A43C 15/16
					36/126						D2/914
4,586,274	A *	5/1986	Blair	A43C 13/04	D840,654	S *	2/2019	Whiteman	D2/962
					36/114	D855,294	S *	8/2019	Illan	D2/906
4,674,207	A *	6/1987	Yamaguchi	A43C 15/162	10,383,396	B1 *	8/2019	Malinowski	A43B 13/14
					36/126	D864,542	S *	10/2019	Fallon	A43C 15/162
D290,903	S *	7/1987	Inohara	D2/954						D2/962
D291,743	S *	9/1987	Inohara	D2/957	D889,798	S *	7/2020	Vella	D2/960
D294,655	S *	3/1988	Heyes	D2/954	D901,136	S *	11/2020	Noirhomme	D2/906
D295,231	S *	4/1988	Heyes	D2/954	2006/0042124	A1 *	3/2006	Mills	A43B 5/06
D313,112	S *	12/1990	Eisenbach	D2/954						36/59 C
4,974,347	A	12/1990	Funderburk			2006/0137227	A1 *	6/2006	Kita	A43C 15/168
5,416,988	A *	5/1995	Potter	A43B 5/00						36/102
					36/89	2007/0186449	A1 *	8/2007	Wilcots	A43C 11/12
D393,146	S *	4/1998	Valle	D2/962						36/2 R
D408,619	S *	4/1999	Worthington	D2/957	2008/0072458	A1	3/2008	Conneally		
D424,283	S *	5/2000	Snyder	D2/902	2010/0257756	A1 *	10/2010	Chang	A43C 15/162
D495,122	S *	8/2004	McMullin	D2/962						36/59 R
D551,431	S *	9/2007	Tomat	D2/906	2011/0252664	A1 *	10/2011	Jennings	A43B 5/02
D617,542	S *	6/2010	Stauffer	D2/962						36/28
D651,386	S *	1/2012	Wilken	D2/962	2013/0036633	A1 *	2/2013	Lee	A43B 13/26
D675,416	S *	2/2013	Minami	D2/962						36/25 R
8,387,282	B2 *	3/2013	Baker	A43B 23/0235	2013/0061498	A1 *	3/2013	Droege	A43C 15/161
					36/50.1						36/25 R
D692,644	S *	11/2013	Eck	D2/906	2014/0366401	A1 *	12/2014	Cavaliere	A43B 13/223
8,756,834	B1 *	6/2014	Halberstadt	A43B 13/04						36/103
					36/59 R	2015/0096198	A1 *	4/2015	Cavaliere	A43B 5/02
D710,583	S *	8/2014	Lee	D2/962						36/103
D715,526	S *	10/2014	Ballman	D2/957	2015/0096199	A1 *	4/2015	Cavaliere	A43B 5/00
9,289,032	B2 *	3/2016	Auger	A43C 15/168						36/103
D765,358	S *	9/2016	Burnett	D2/906	2016/0058107	A1 *	3/2016	Walker	A43B 13/04
9,545,129	B2	1/2017	Adair et al.								36/98
D793,055	S *	8/2017	Woodman	D2/962	2016/0206042	A1 *	7/2016	Cross	G06Q 30/0633
D798,562	S *	10/2017	de Montgolfier	D2/957	2017/0238654	A1 *	8/2017	Baghdadi	A43B 9/12
						2017/0273408	A1 *	9/2017	Orand	A43B 13/141
						2020/0170333	A1 *	6/2020	Zieger	A43B 5/185

* cited by examiner

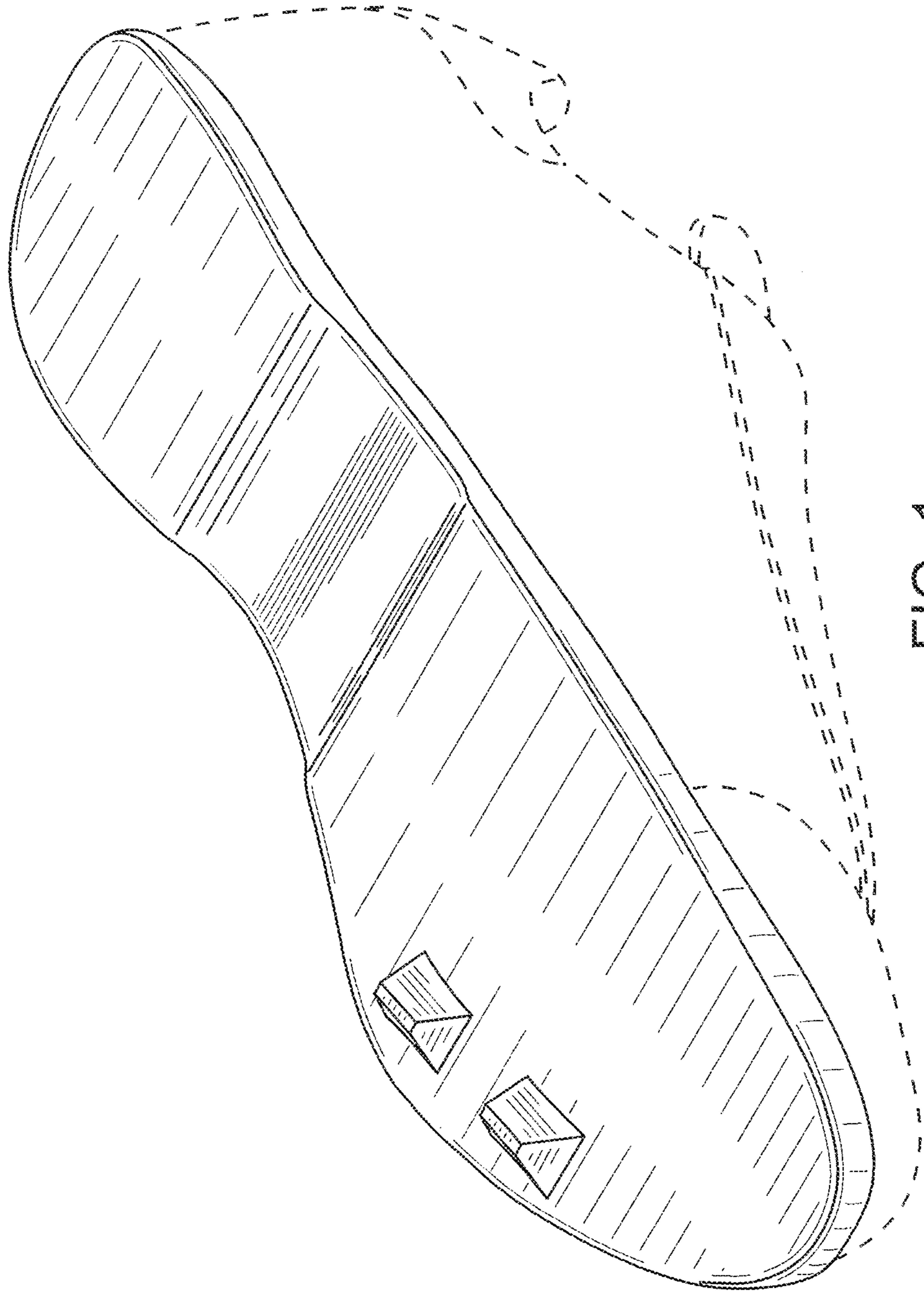


FIG. 1

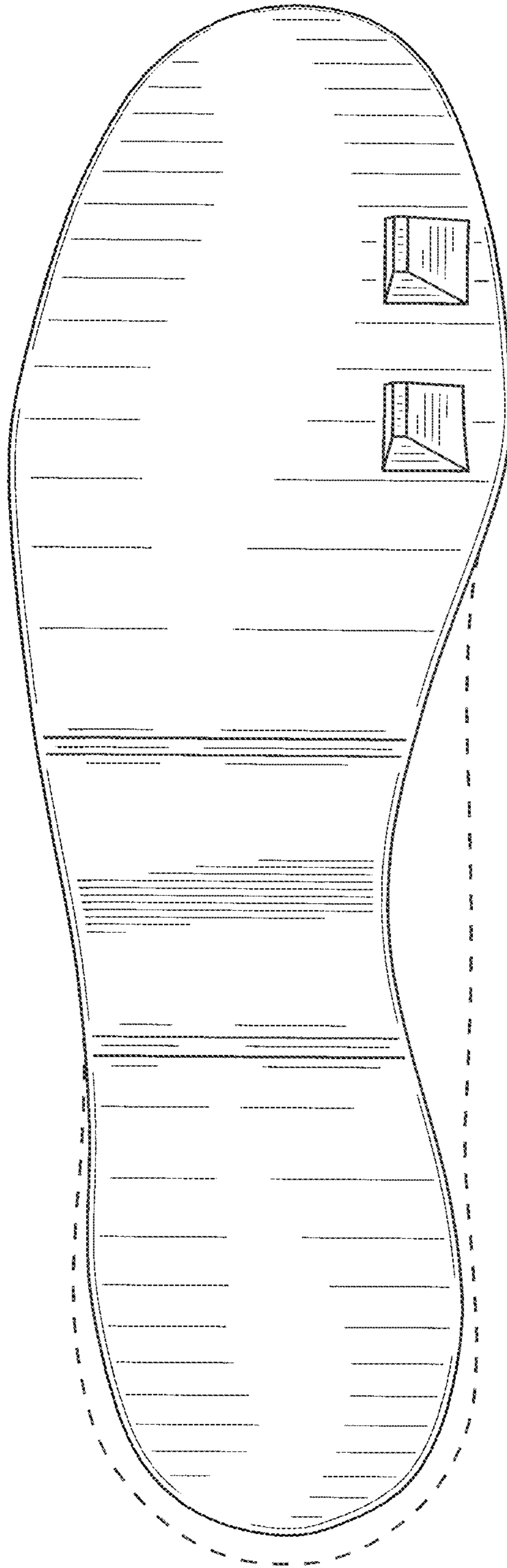


FIG. 2

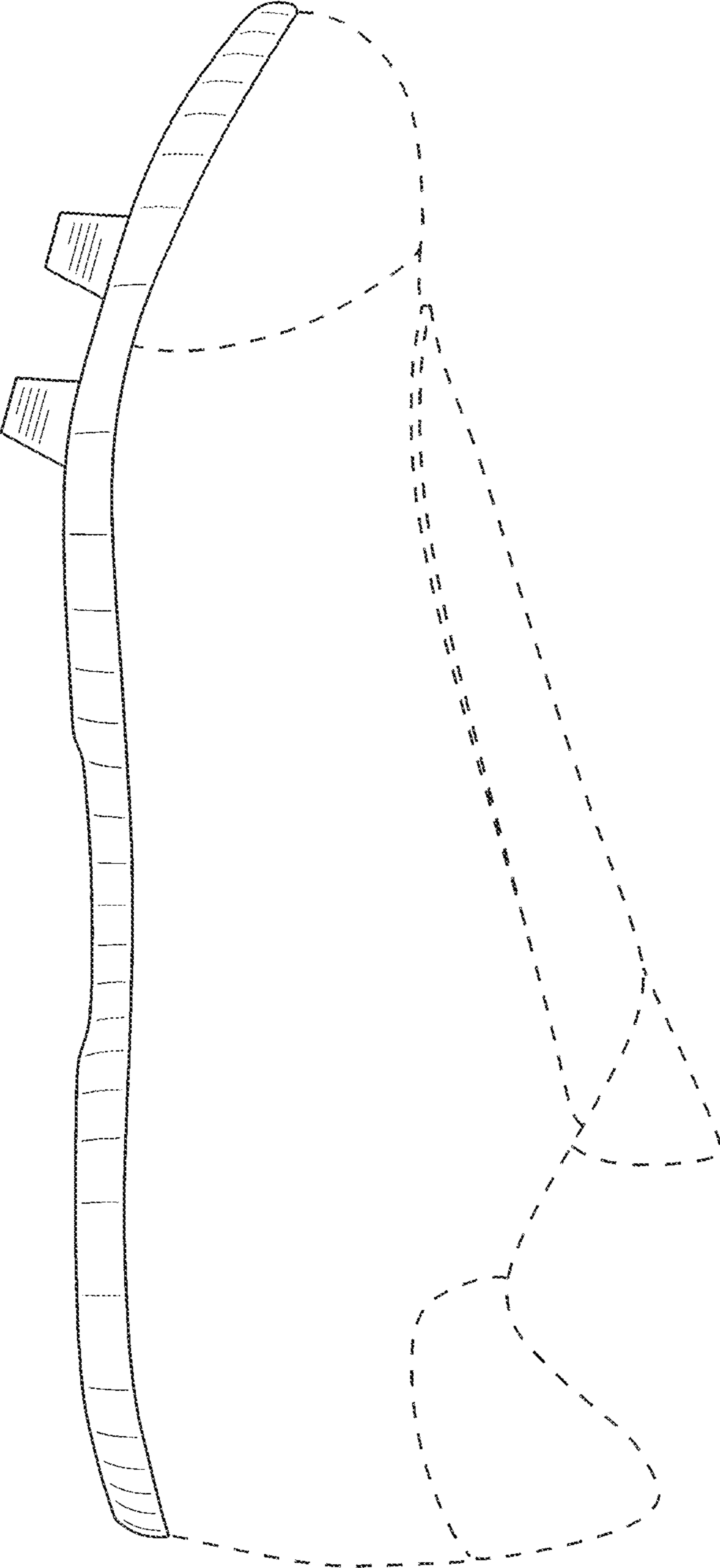


FIG. 3

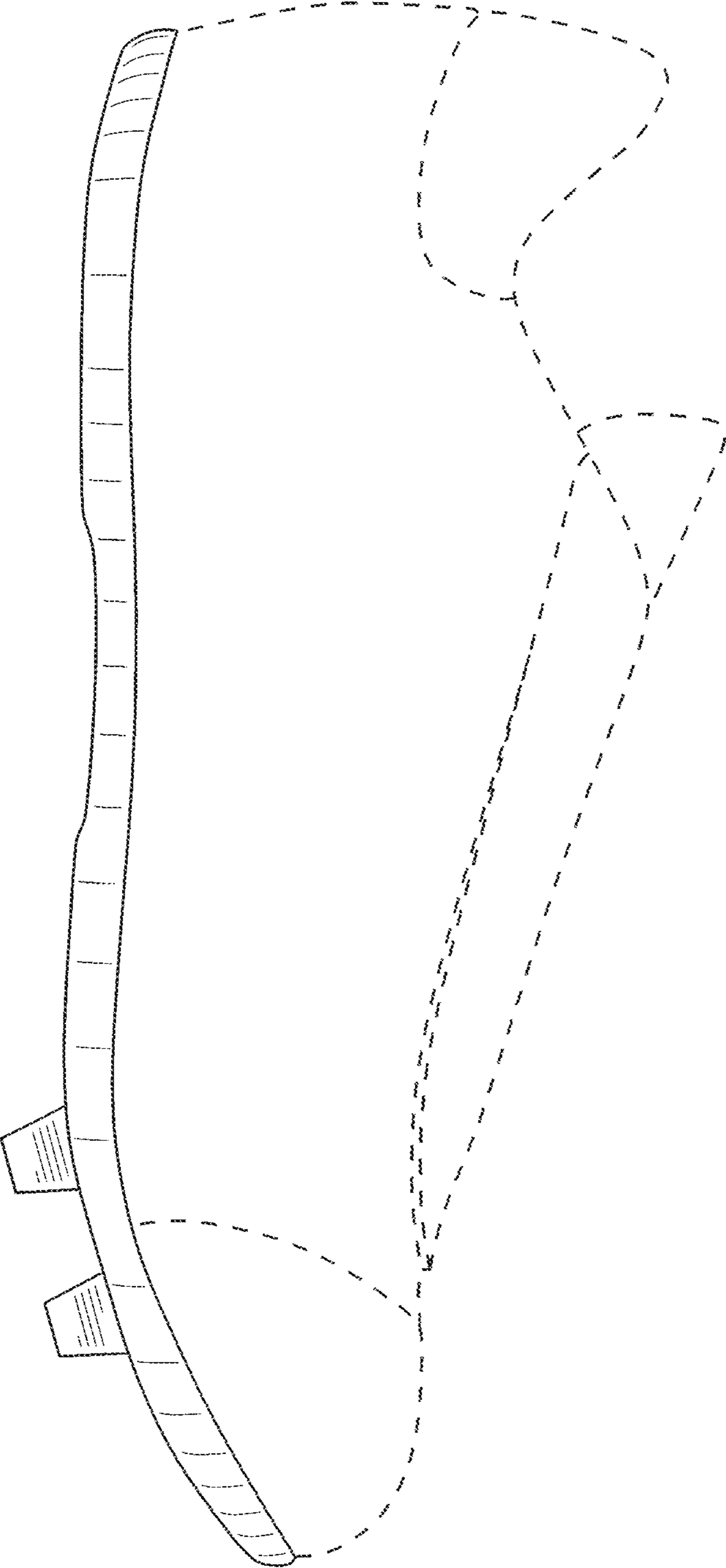


FIG. 4

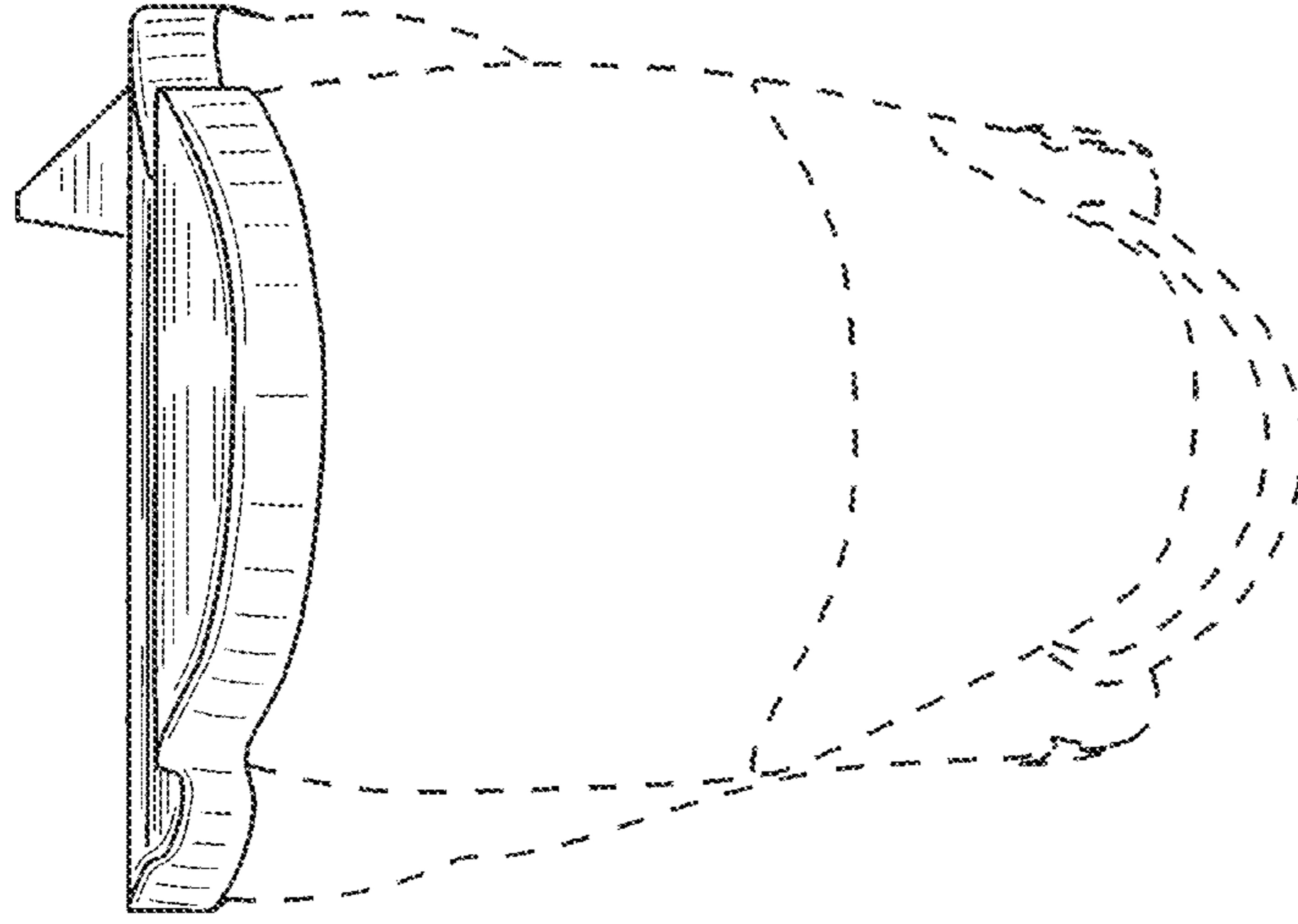


FIG. 5

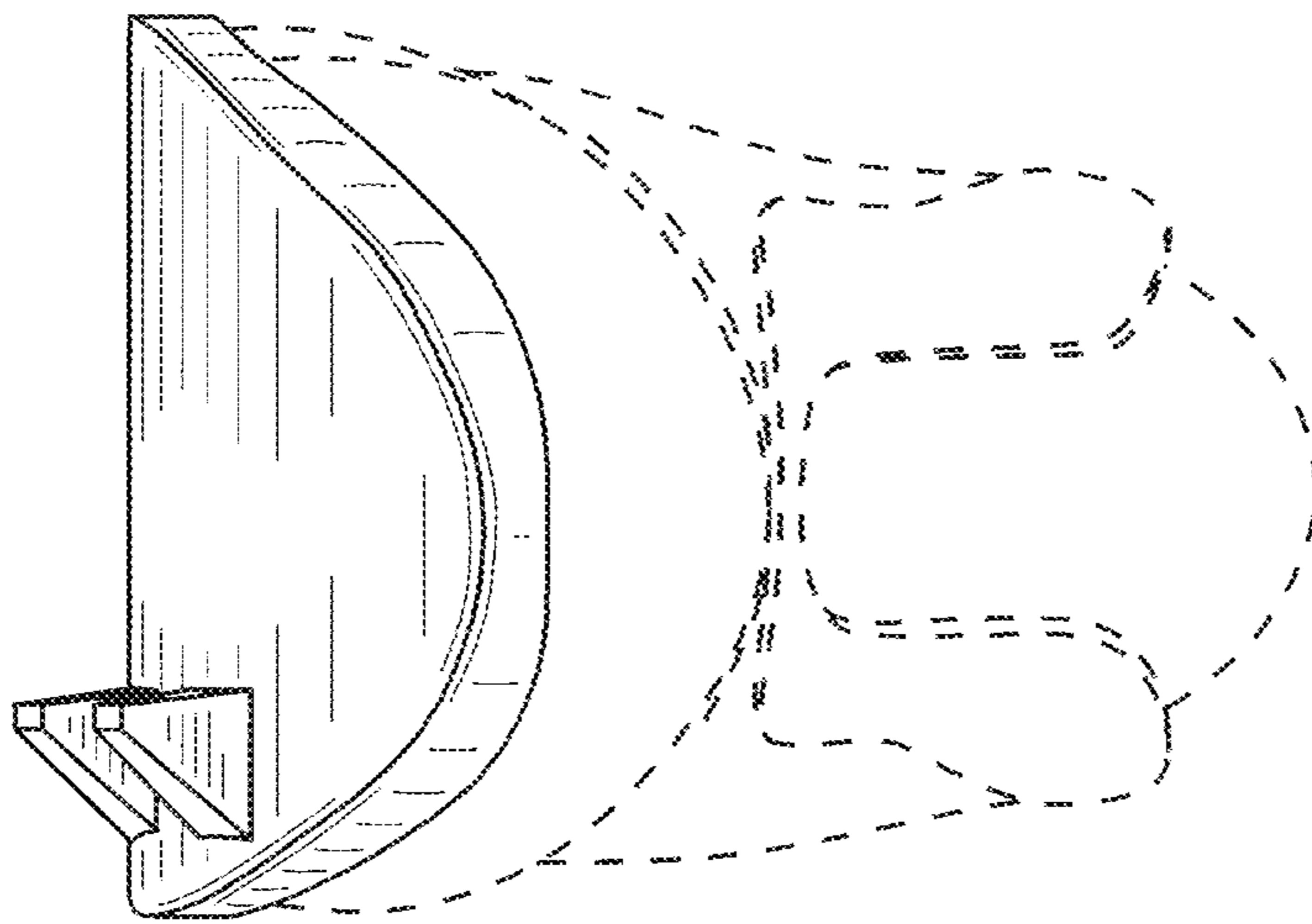


FIG. 6