



US00D931579S

(12) **United States Design Patent**
Eldridge et al.

(10) **Patent No.:** **US D931,579 S**
(45) **Date of Patent:** **** Sep. 28, 2021**

(54) **ATTACHMENT FOR A CAP**

(71) Applicant: **Snaps Ventures Inc.**, Jupiter, FL (US)

(72) Inventors: **Matthew Ryan Eldridge**, Jupiter, FL (US); **Sydney Diane Bakich**, Jupiter, FL (US)

(73) Assignee: **Snaps Ventures Inc.**, Jupiter, FL (US)

(**) Term: **15 Years**

(21) Appl. No.: **29/750,465**

(22) Filed: **Sep. 14, 2020**

Related U.S. Application Data

(63) Continuation of application No. 29/680,339, filed on Feb. 14, 2019, now Pat. No. Des. 895,937.

(51) **LOC (13) Cl.** **02-03**

(52) **U.S. Cl.**
USPC **D2/891**

(58) **Field of Classification Search**

USPC D2/865, 866, 867, 869, 870, 871, 872, D2/873, 874, 875, 876, 877, 878, 879, D2/880, 881, 882, 883, 884, 885, 886, D2/887, 888, 889, 890, 891, 892, 893, D2/894, 895, 639, 976; D6/315, 323, D6/325, 328; D8/38; D11/91, 200, 201, D11/204, 207, 214, 215, 222; D3/265; D19/65; D26/39; D29/110, 122, 129
CPC A42B 1/00; A42B 1/002; A42B 1/004; A42B 1/006; A42B 1/02; A42B 1/062; A42B 1/064; A42B 1/205; A42B 1/22; A42B 1/24; A42B 1/248; A42B 3/04; A42B

(Continued)

(56) **References Cited**

U.S. PATENT DOCUMENTS

1,053,974 A 2/1913 Cohen
1,236,654 A 8/1917 Baltzley

(Continued)

FOREIGN PATENT DOCUMENTS

DE 296 09 123 U1 8/1996
EM DM/093473 4/2017

(Continued)

OTHER PUBLICATIONS

U.S. Appl. No. 16/473,617, filed Jun. 25, 2019, Eldridge et al.
(Continued)

Primary Examiner — Jasmine Mlinarcik

(74) *Attorney, Agent, or Firm* — Wolf, Greenfield & Sacks, P.C.

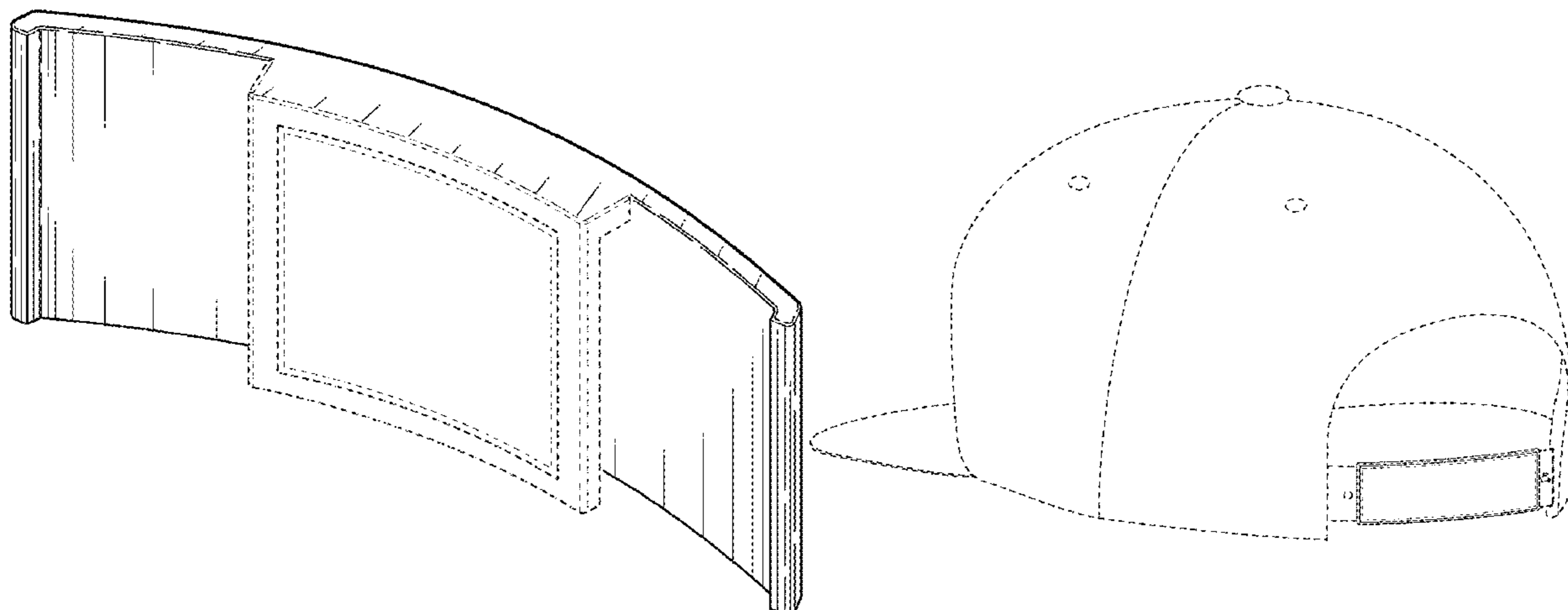
(57) **CLAIM**

The ornamental design for an attachment for a cap, as shown and described.

DESCRIPTION

FIG. 1 is a front perspective view of an attachment for a cap showing our new design;
FIG. 2 is a rear perspective view thereof;
FIG. 3 is a front elevation view thereof;
FIG. 4 is a rear elevation view thereof;
FIG. 5 is a left side elevation view thereof;
FIG. 6 is a right side elevation view thereof;
FIG. 7 is a top plan view thereof;
FIG. 8 is a bottom plan view thereof; and,
FIG. 9 is a front perspective view thereof shown in the environment of a cap.
The broken line outline of the cap in FIG. 9 depicts environmental structure of the attachment for a cap and forms no part of the claimed design. The dot-dash broken lines represent boundaries of the claimed design and form no part of the claimed design. All other broken lines in the drawings depict portions of the attachment for a cap that form no part of the claimed design.

1 Claim, 5 Drawing Sheets



(58) **Field of Classification Search**
 CPC 7/00; A44B 9/00; A44B 9/02; A44B 9/04;
 A44B 9/06; A45F 5/06
 See application file for complete search history.

(56) **References Cited**

U.S. PATENT DOCUMENTS

2,181,446 A 11/1939 Ames
 2,478,376 A * 8/1949 De Swart B42F 1/10
 24/67.9
 2,737,220 A 3/1956 Hoff
 D254,845 S 4/1980 Young
 4,776,043 A 10/1988 Coleman
 5,003,640 A 4/1991 Pizzacar
 D326,932 S 6/1992 Millar
 5,165,190 A 11/1992 Smyth
 D340,345 S 10/1993 Russell
 D341,712 S 11/1993 Fulcher
 D343,372 S 1/1994 Ferré
 5,315,714 A 5/1994 Peters et al.
 5,418,981 A 5/1995 Miner
 5,499,402 A 3/1996 Rose
 5,519,892 A 5/1996 Pizzacar
 5,533,213 A 7/1996 Reiner et al.
 D373,454 S 9/1996 Ramirez
 D375,827 S 11/1996 Will
 5,600,855 A 2/1997 Ramirez
 5,632,047 A 5/1997 Van Den Heuvel
 5,857,220 A * 1/1999 Erny A45C 13/08
 2/244
 5,918,316 A * 7/1999 Nathanson G09F 21/02
 2/209.13
 D412,937 S * 8/1999 Franklin D20/27
 5,997,662 A 12/1999 Norio
 6,006,362 A * 12/1999 Walsh A42B 1/248
 2/181
 6,021,525 A 2/2000 Mertins
 D431,709 S * 10/2000 Cupps D2/891
 6,185,750 B1 2/2001 Dumas
 D438,374 S * 3/2001 Hayman D3/215
 6,484,322 B2 * 11/2002 Christian A42B 1/24
 2/209.13
 D486,862 S 2/2004 Coe
 6,729,058 B2 5/2004 Ferguson
 D491,714 S 6/2004 Upcott
 D492,351 S 6/2004 Sato et al.
 D497,858 S 11/2004 Fabian
 6,871,486 B2 3/2005 Moehnke et al.
 D574,614 S * 8/2008 Sanders D3/247
 D579,194 S 10/2008 Caylor
 D591,934 S 5/2009 Gore
 D601,792 S 10/2009 Kennedy
 D605,381 S 12/2009 Mastrantonio et al.
 D613,638 S 4/2010 Jorst et al.
 D627,146 S 11/2010 Kantor et al.
 7,861,322 B2 * 1/2011 Cho A44B 11/008
 2/183
 D635,336 S 4/2011 Alger
 D637,106 S 5/2011 Babyak
 D638,964 S 5/2011 Cappuccio
 D645,211 S 9/2011 Hill
 D645,231 S 9/2011 Perry
 D667,212 S 9/2012 Reilly
 D677,193 S 3/2013 MacDonald
 D682,665 S * 5/2013 Meyer G09F 3/06
 D8/395
 8,573,773 B1 11/2013 Acosta
 D695,454 S 12/2013 Moore
 D703,722 S * 4/2014 Kim D16/237

D724,479 S 3/2015 Cerrato
 D724,487 S 3/2015 Dighton et al.
 D729,502 S 5/2015 Aldridge
 D737,564 S 9/2015 Hamilton et al.
 9,198,483 B2 12/2015 Adams et al.
 D749,306 S 2/2016 Benz et al.
 D757,402 S 5/2016 White
 D757,403 S 5/2016 Skinner
 D761,001 S 7/2016 Kouns et al.
 D770,733 S 11/2016 Hwang
 D771,914 S 11/2016 Cho
 D774,283 S 12/2016 Rollins
 D778,767 S 2/2017 Nicolas
 D793,675 S 8/2017 Gates
 D801,644 S 11/2017 Zenoff
 D838,941 S 1/2019 Leatherman
 10,292,444 B2 5/2019 Dotzenrod
 D852,468 S 7/2019 Patel
 D863,441 S * 10/2019 Hwang D20/39
 D865,334 S 11/2019 Kang
 D876,755 S 3/2020 Gonzalez
 D880,777 S * 4/2020 Henningsen D29/101.4
 D891,076 S * 7/2020 Reilly D2/976
 D892,474 S 8/2020 Jackson
 D895,261 S * 9/2020 Cureton D2/976
 D895,937 S 9/2020 Eldridge et al.
 D895,938 S 9/2020 Eldridge et al.
 D905,382 S * 12/2020 Jackson D2/895
 10,952,486 B2 * 3/2021 Eldridge G09F 21/02
 D917,841 S * 5/2021 Eldridge D2/891
 2002/0042941 A1 4/2002 Grundy
 2002/0108165 A1 8/2002 Porter et al.
 2004/0064871 A1 4/2004 Schlapkohl
 2005/0138719 A1 * 6/2005 Huh A42B 3/14
 2/416
 2005/0177925 A1 8/2005 Peebles
 2008/0104801 A1 5/2008 Yeh
 2008/0109940 A1 5/2008 Van den Heuvel et al.
 2013/0111650 A1 5/2013 Hong
 2014/0315661 A1 * 10/2014 Brown A63B 57/203
 473/409
 2017/0027250 A1 2/2017 Paquette
 2019/0142096 A1 5/2019 Skinner
 2019/0313724 A1 10/2019 Jackson
 2020/0146383 A1 5/2020 Eldridge et al.

FOREIGN PATENT DOCUMENTS

EM DM/099239 1/2018
 JP D1606101 S 6/2018
 WO WO 2018/217186 A1 11/2018

OTHER PUBLICATIONS

U.S. Appl. No. 29/733,335, filed Apr. 30, 2020, Eldridge et al.
 U.S. Appl. No. 29/703,199, filed Aug. 26, 2019, Eldridge et al.
 U.S. Appl. No. 29/733,328, filed Apr. 30, 2020, Eldridge et al.
 [No Author Listed] Photograph of Snaps Crisp Collection Gold Crown. Facebook. <https://www.facebook.com/snaps.ltd/photos/a.1151668998318962/1168036280015567/?type=3>. Dated Nov. 18, 2018, 1 page.
 [No Author Listed] Product listing for Board Man Gets Paid. Snaps. <https://snaps.ltd/collections/nbaa-crisp/products/pre-order-now-board-man-gets-paid-limited-quantities>. Last accessed Jan. 24, 2020, 1 page.
 [No Author Listed] Screenshot of Snaps Facebook page. Facebook. com. <https://www.facebook.com/snaps.ltd>, 1 page [last accessed Nov. 19, 2018].

* cited by examiner

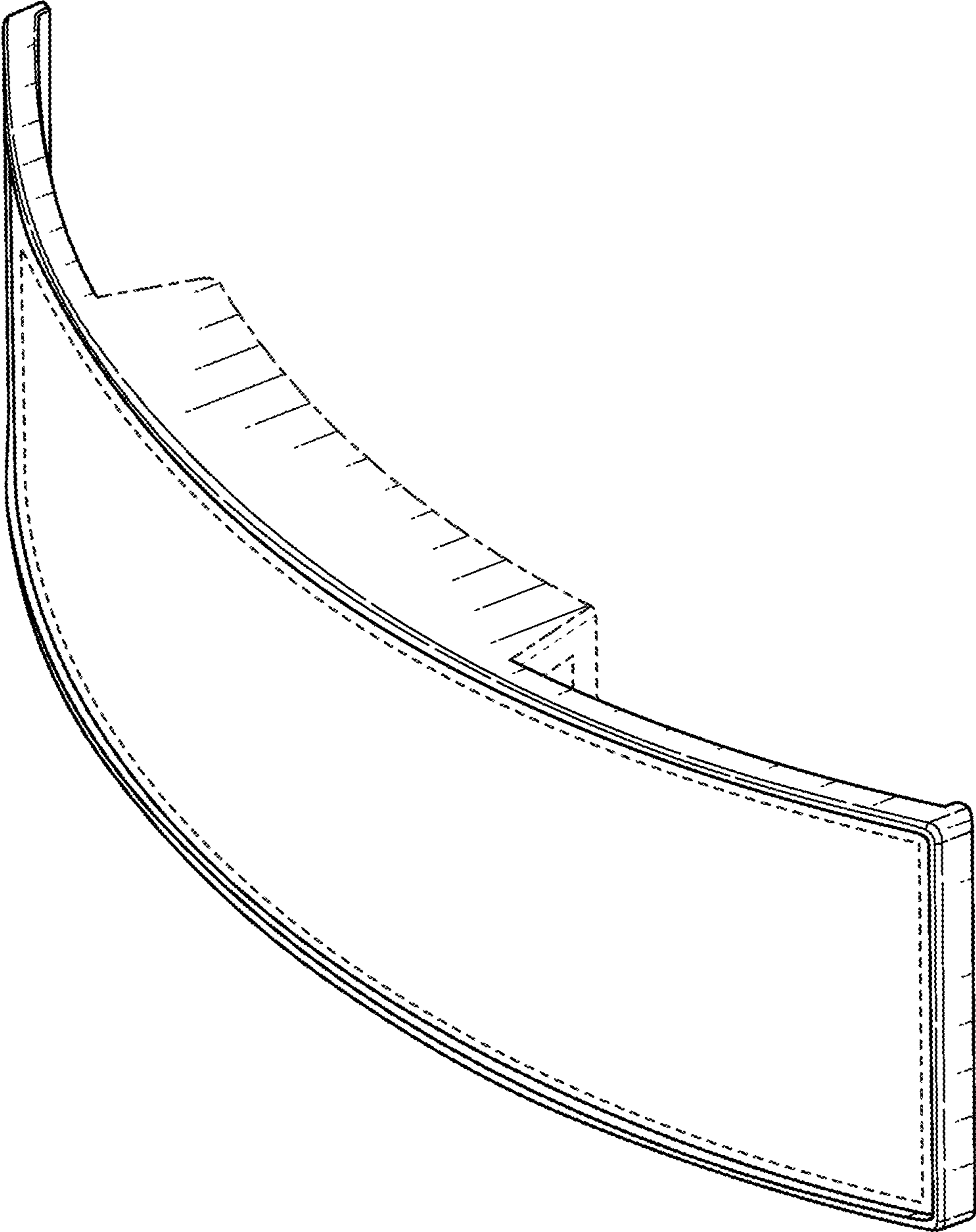


FIG. 1

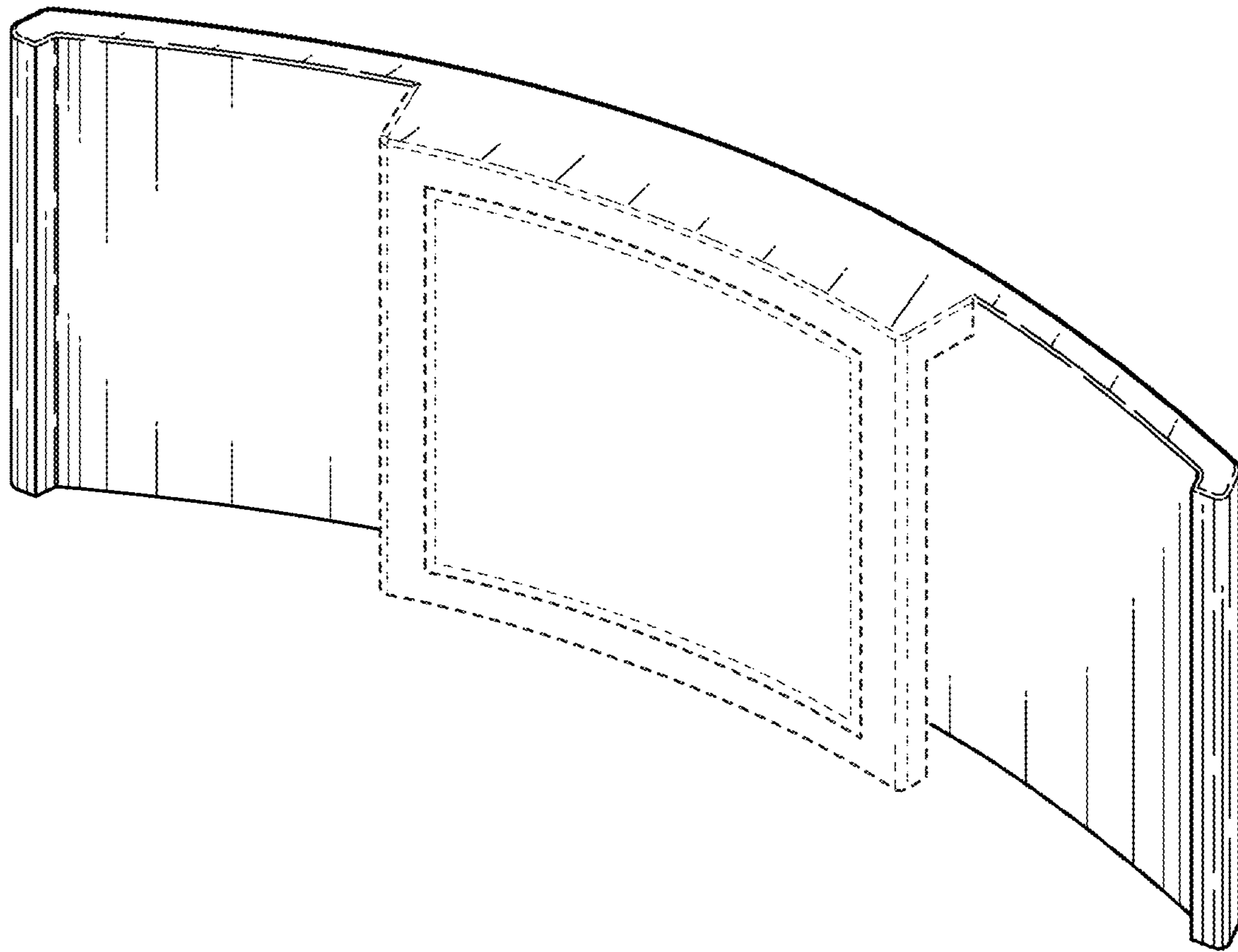


FIG. 2

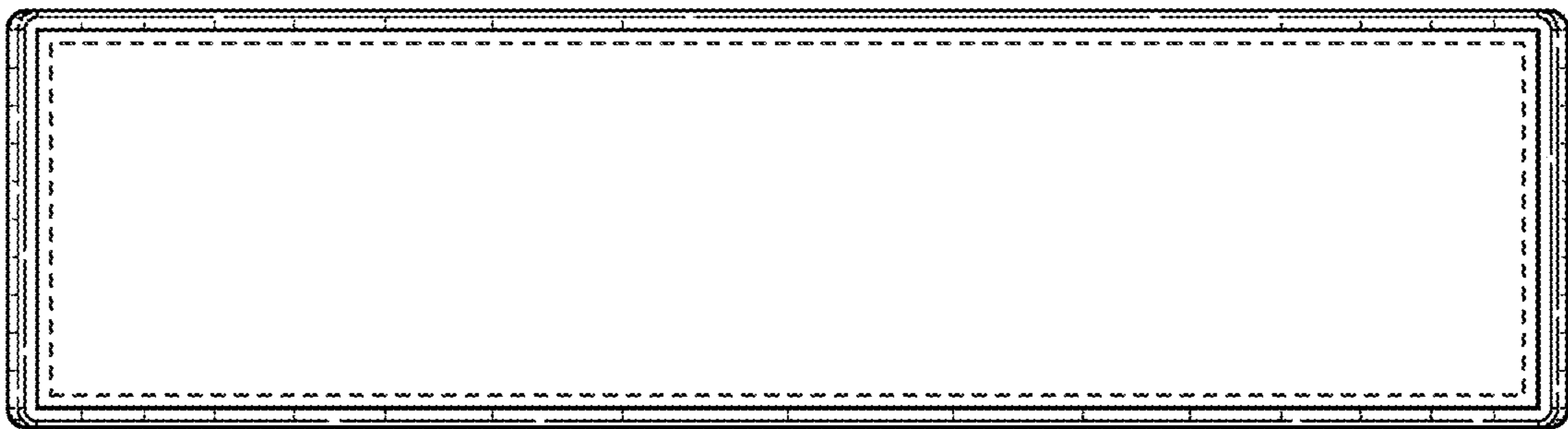


FIG. 3

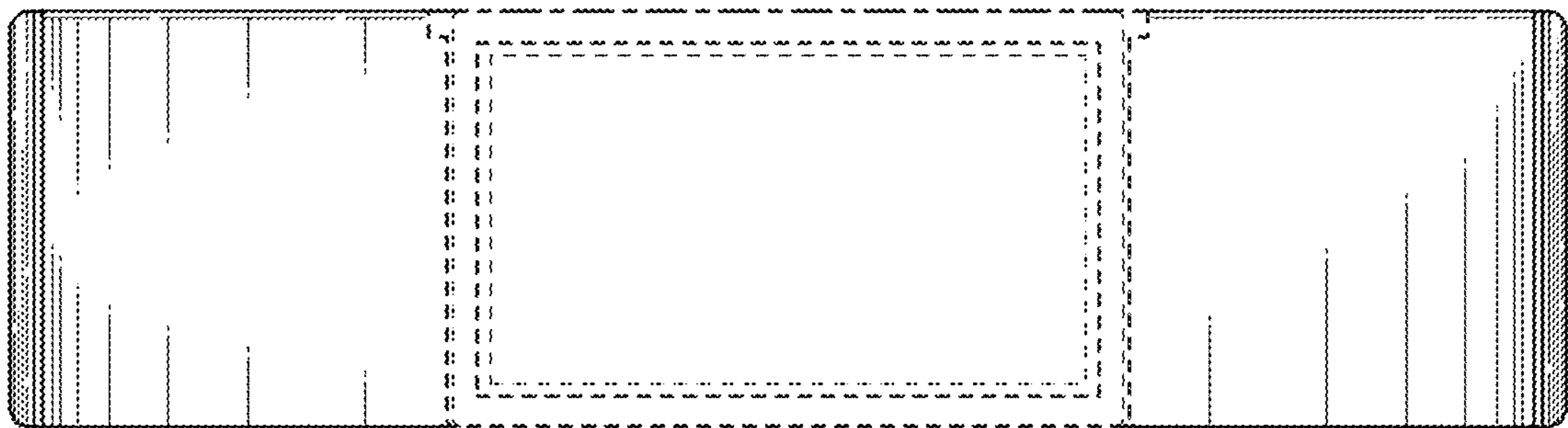


FIG. 4

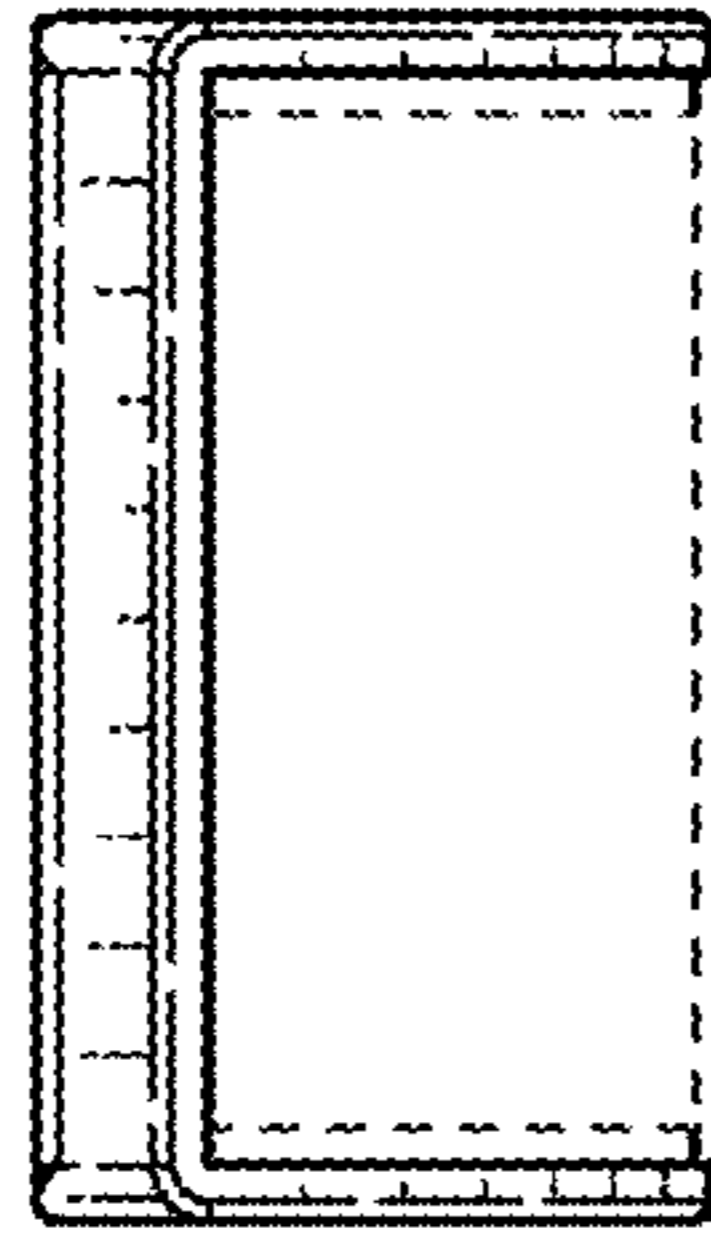


FIG. 5

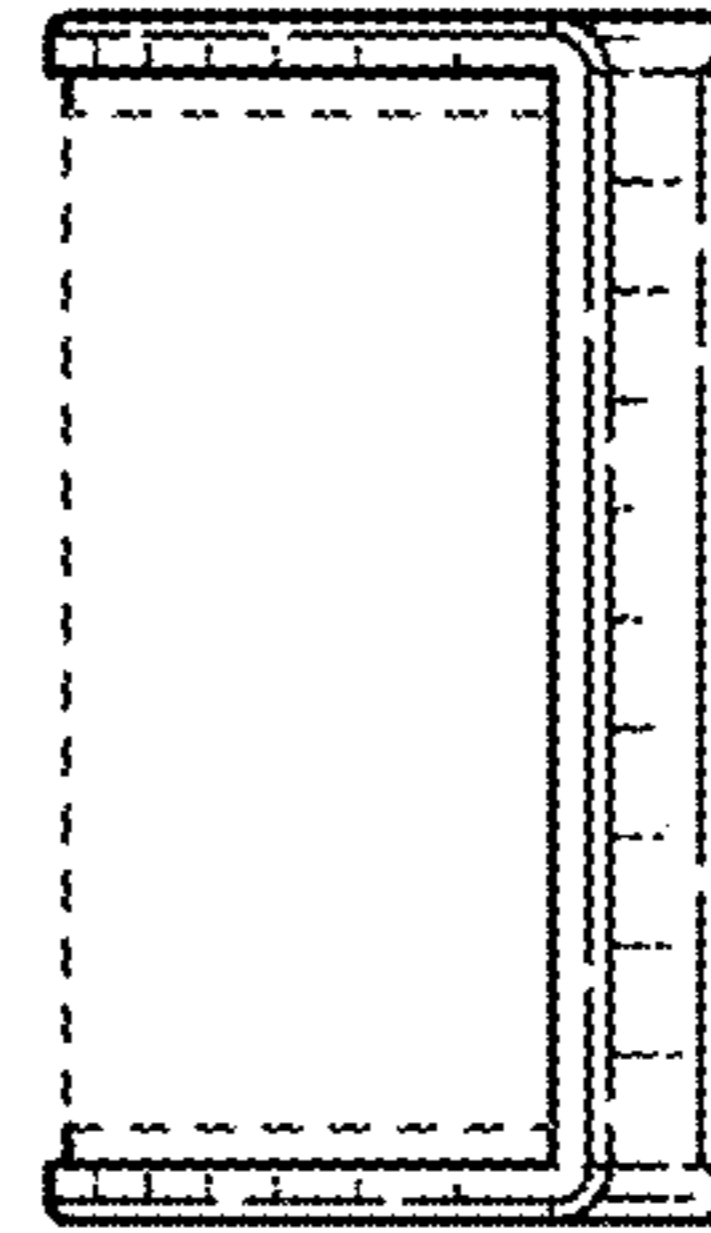


FIG. 6

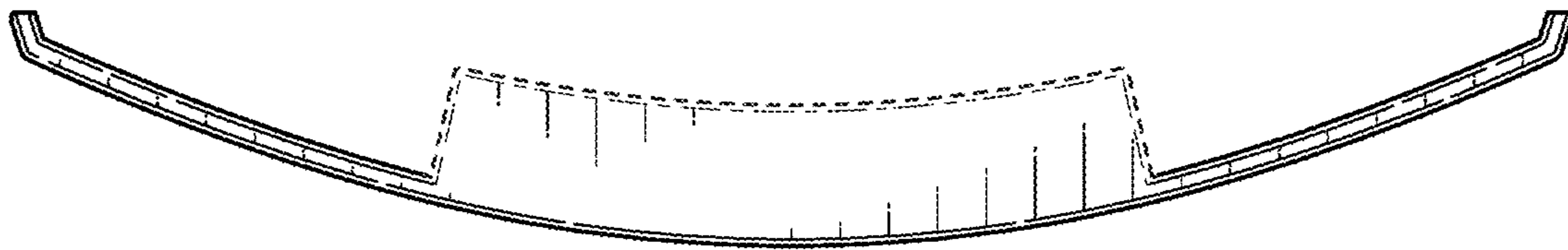


FIG. 7

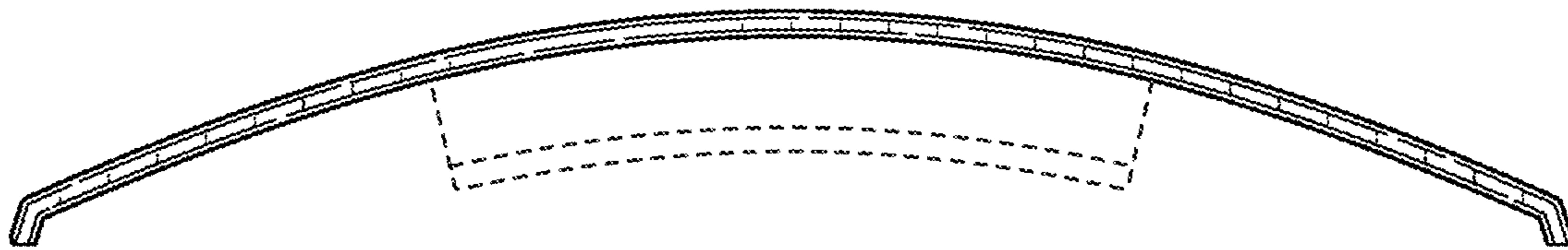


FIG. 8

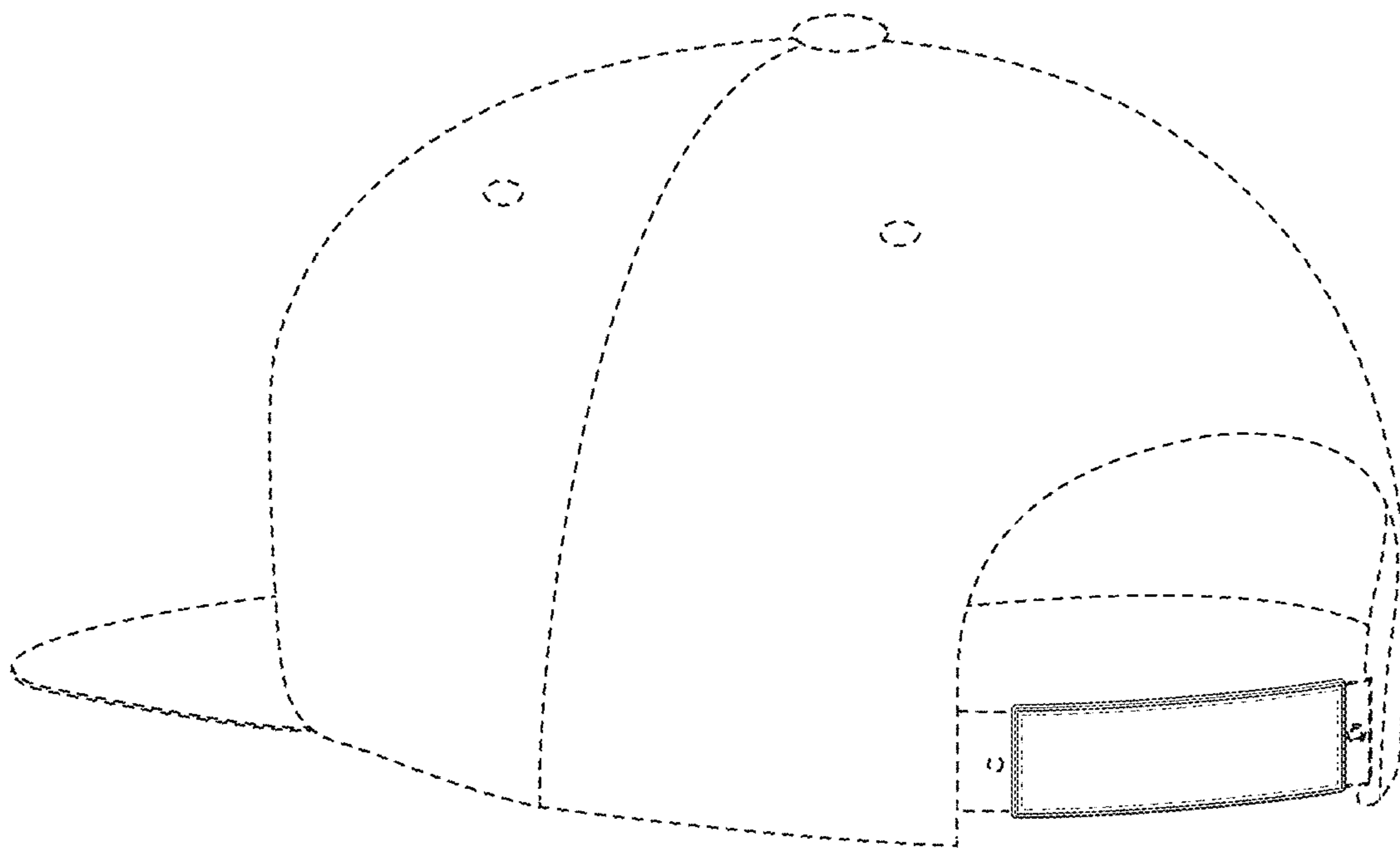


FIG. 9