



US00D931578S

(12) **United States Design Patent**  
**White**

(10) **Patent No.:** **US D931,578 S**

(45) **Date of Patent:** **\*\* Sep. 28, 2021**

- (54) **FEDORA-STYLE SPORTS CAP**
- (71) Applicant: **Richard White**, San Leandro, CA (US)
- (72) Inventor: **Richard White**, San Leandro, CA (US)
- (\*\*) Term: **15 Years**
- (21) Appl. No.: **29/633,667**
- (22) Filed: **Jan. 15, 2018**
- (51) **LOC (13) Cl.** ..... **02-03**
- (52) **U.S. Cl.**  
USPC ..... **D2/882; D2/887**
- (58) **Field of Classification Search**  
USPC ..... D2/865, 866, 869, 870, 872, 873, 876,  
D2/878, 883, 886, 887, 888, 890, 892,  
D2/893  
CPC ..... A42B 1/00; A42B 1/002; A42B 1/004;  
A42B 1/006; A42B 1/008; A42B 1/02;  
A42B 1/206; A42B 1/14; A42B 1/225  
See application file for complete search history.

(56) **References Cited**

**U.S. PATENT DOCUMENTS**

- 2,094,104 A \* 9/1937 Lee ..... A42B 1/02  
2/175.9
- D149,521 S \* 5/1948 Silbermann ..... D2/887
- 2,834,019 A \* 5/1958 Cavanagh ..... A42B 1/02  
2/175.5
- D223,742 S \* 6/1972 Johnson ..... D2/887
- D346,477 S \* 5/1994 Harmon ..... D2/882
- D350,427 S \* 9/1994 Vig ..... 2/175.1
- D403,840 S \* 1/1999 Griffin ..... D2/865
- 6,012,172 A \* 1/2000 Steffy ..... A42B 1/02  
2/175.1
- D661,060 S \* 6/2012 Eveleth ..... D2/882
- D661,062 S \* 6/2012 Eveleth ..... D2/882
- D661,063 S \* 6/2012 Eveleth ..... D2/882

- D661,064 S \* 6/2012 Eveleth ..... D2/882
- D702,928 S \* 4/2014 White ..... D2/882
- D727,150 S \* 4/2015 Leitch ..... D9/451
- D749,826 S \* 2/2016 Denny ..... D2/882
- D764,772 S \* 8/2016 Zenoff ..... D2/866
- D768,966 S \* 10/2016 Denny ..... D2/887
- D791,449 S \* 7/2017 Hernandez ..... D2/882
- D866,927 S \* 11/2019 Niazi ..... D2/887

\* cited by examiner

*Primary Examiner* — Jasmine Mlinarcik

(74) *Attorney, Agent, or Firm* — QuickPatents; Kevin Prince

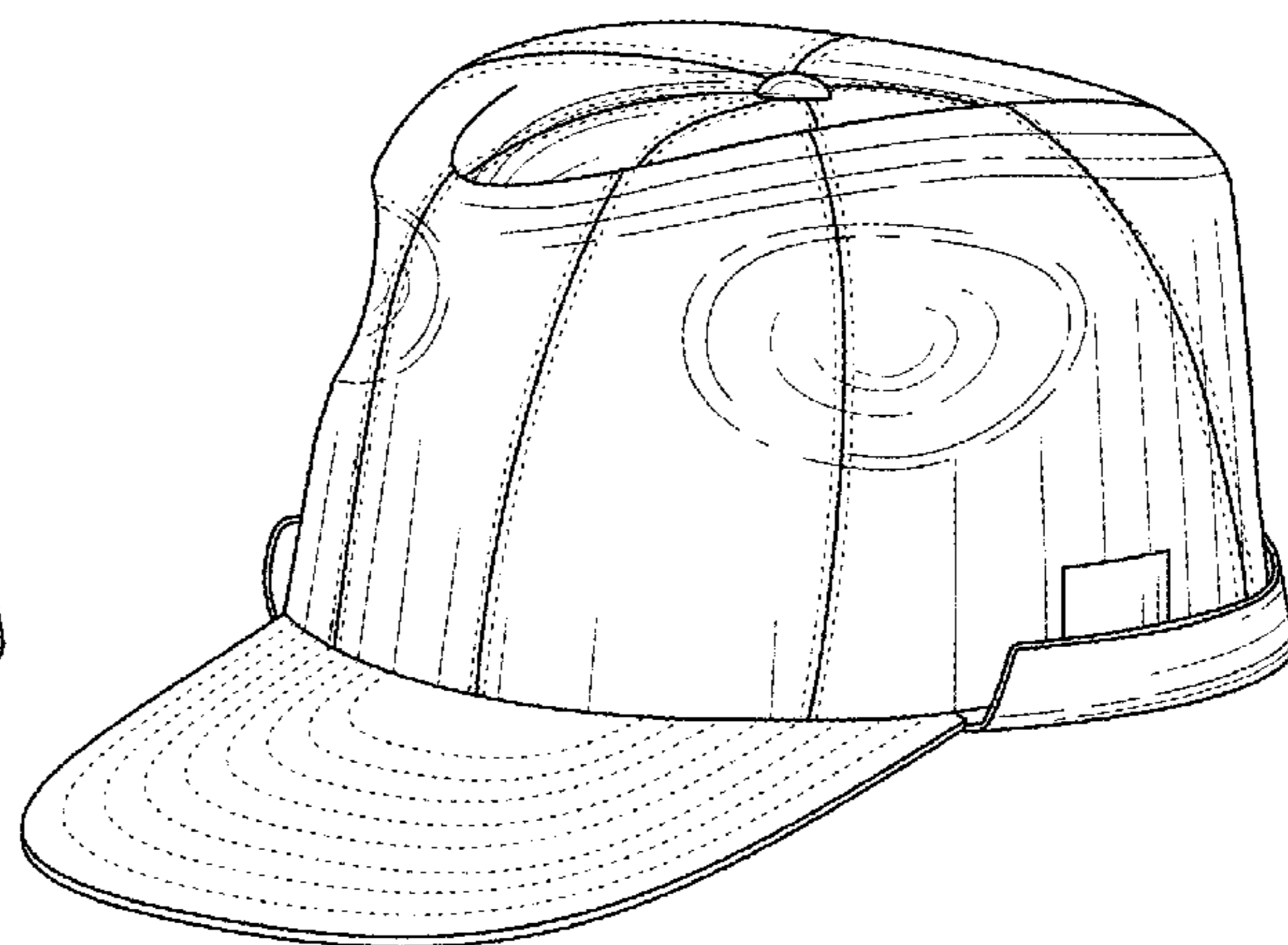
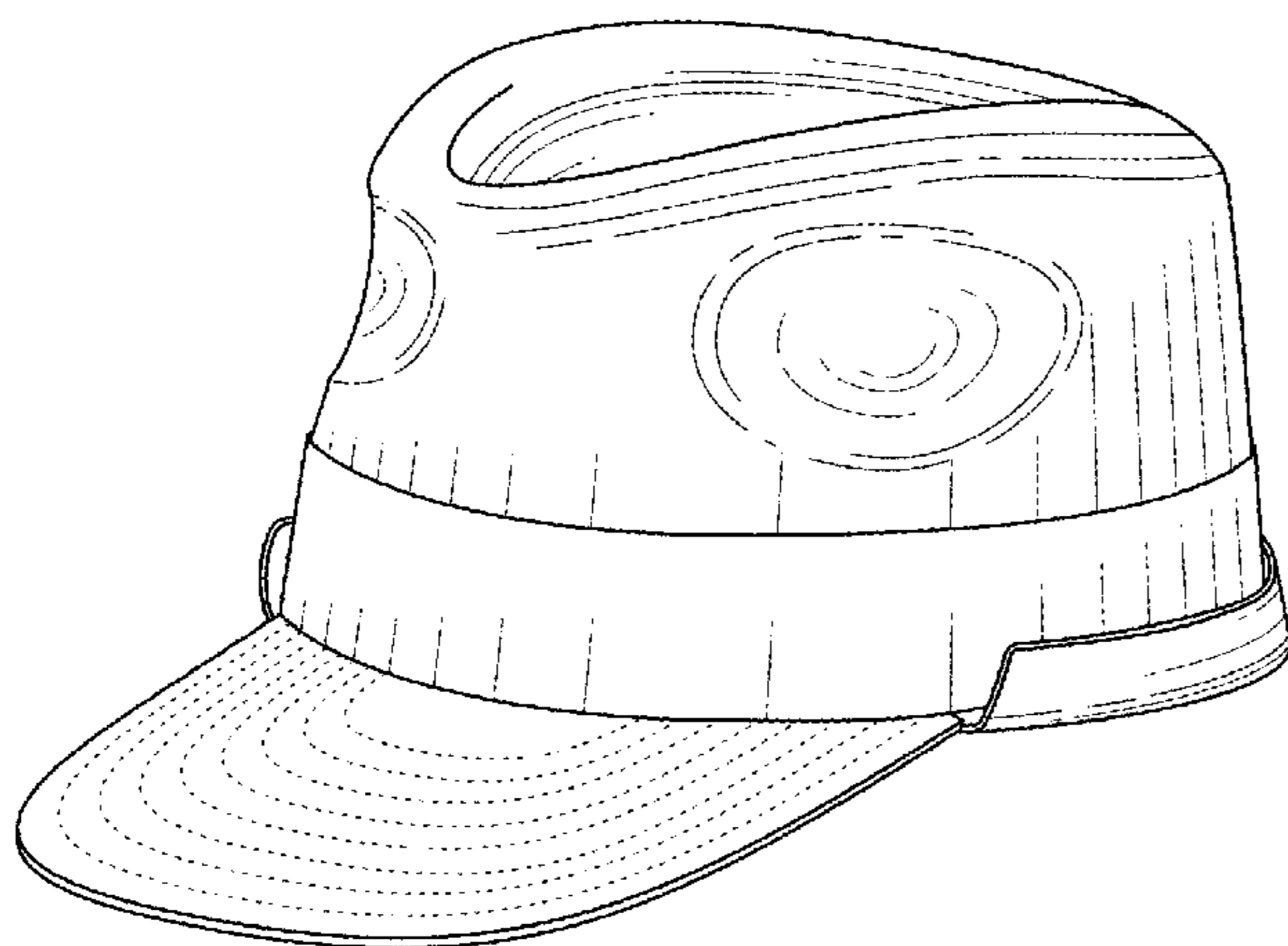
(57) **CLAIM**

I claim the ornamental design for a fedora-style sports cap, as shown and described.

**DESCRIPTION**

FIG. 1 is a top perspective view of a fedora-style sports cap, showing a first embodiment of my new design;  
 FIG. 2 is a front elevational view of FIG. 1;  
 FIG. 3 is a rear elevational view of FIG. 1;  
 FIG. 4 is a left-side elevational view of FIG. 1;  
 FIG. 5 is a right-side elevational view of FIG. 1;  
 FIG. 6 is a top plan view of FIG. 1;  
 FIG. 7 is a bottom plan view of FIG. 1;  
 FIG. 8 is a top perspective view of a second embodiment thereof;  
 FIG. 9 is a front elevational view of FIG. 8;  
 FIG. 10 is a rear elevational view of FIG. 8;  
 FIG. 11 is a left-side elevational view of FIG. 8;  
 FIG. 12 is a right-side elevational view of FIG. 8;  
 FIG. 13 is a top plan view of FIG. 8; and,  
 FIG. 14 is a bottom plan view of FIG. 8.  
 The broken lines in the figures represent stitching, and are part of the claimed design.

**1 Claim, 8 Drawing Sheets**



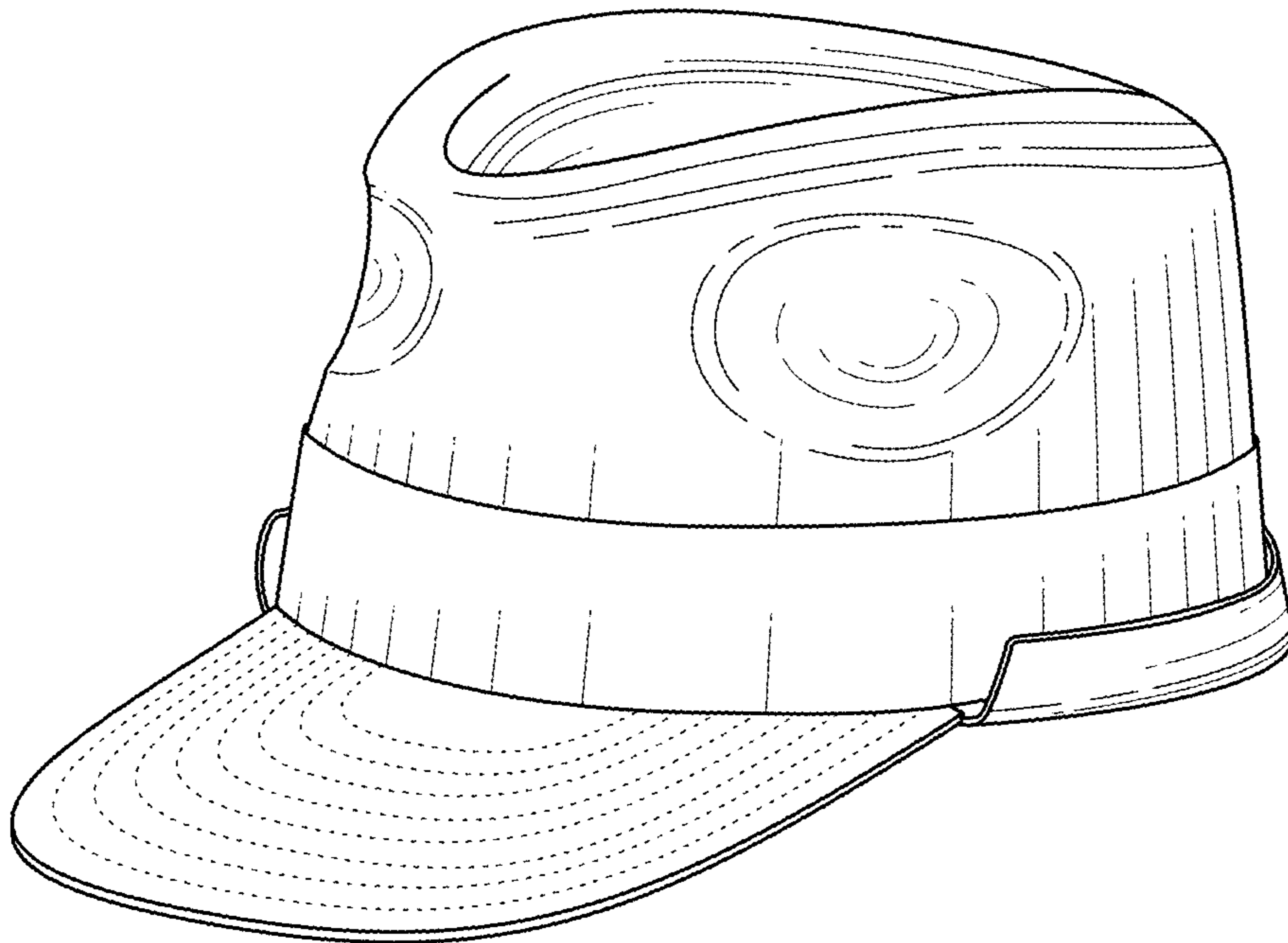


FIG. 1

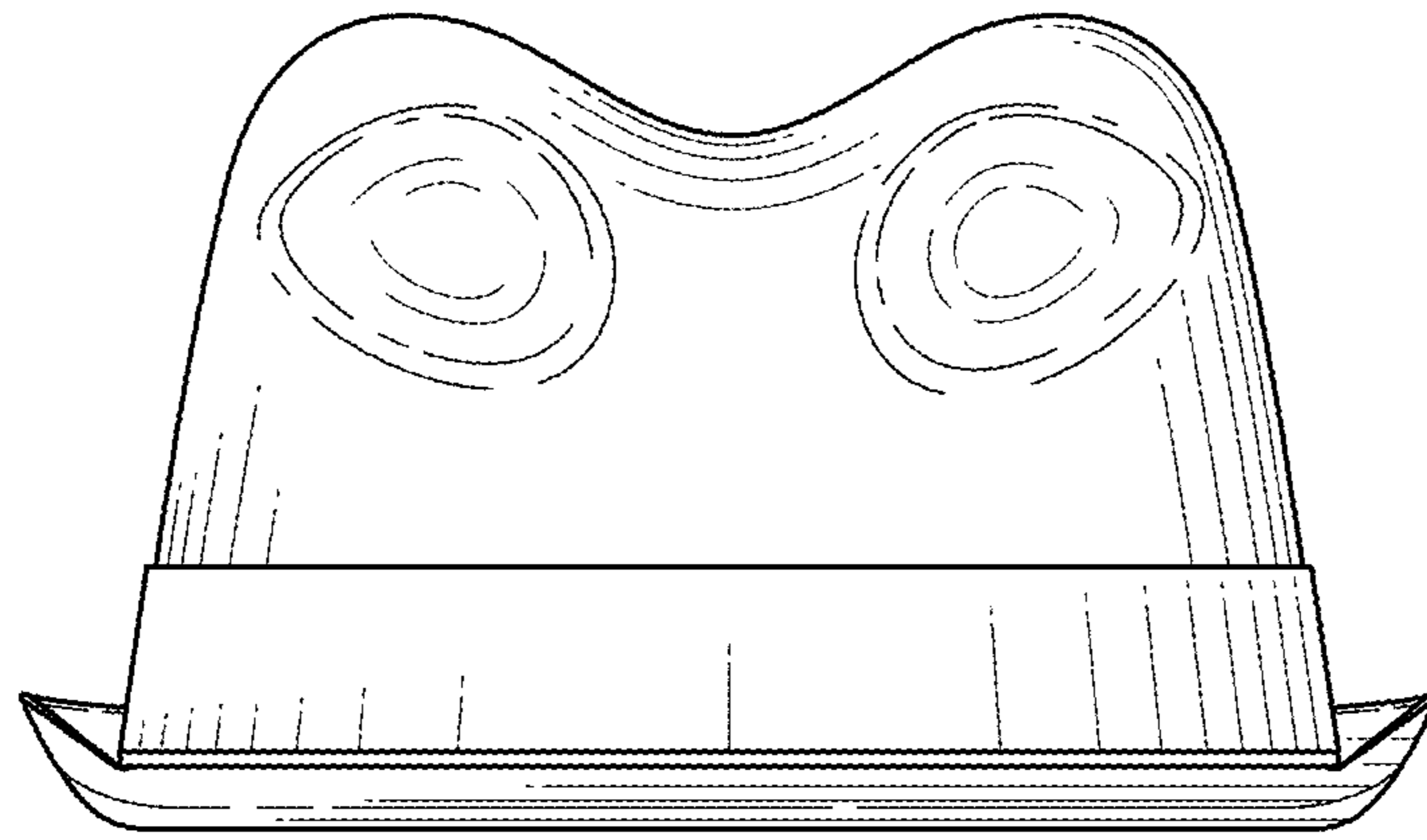


FIG. 2

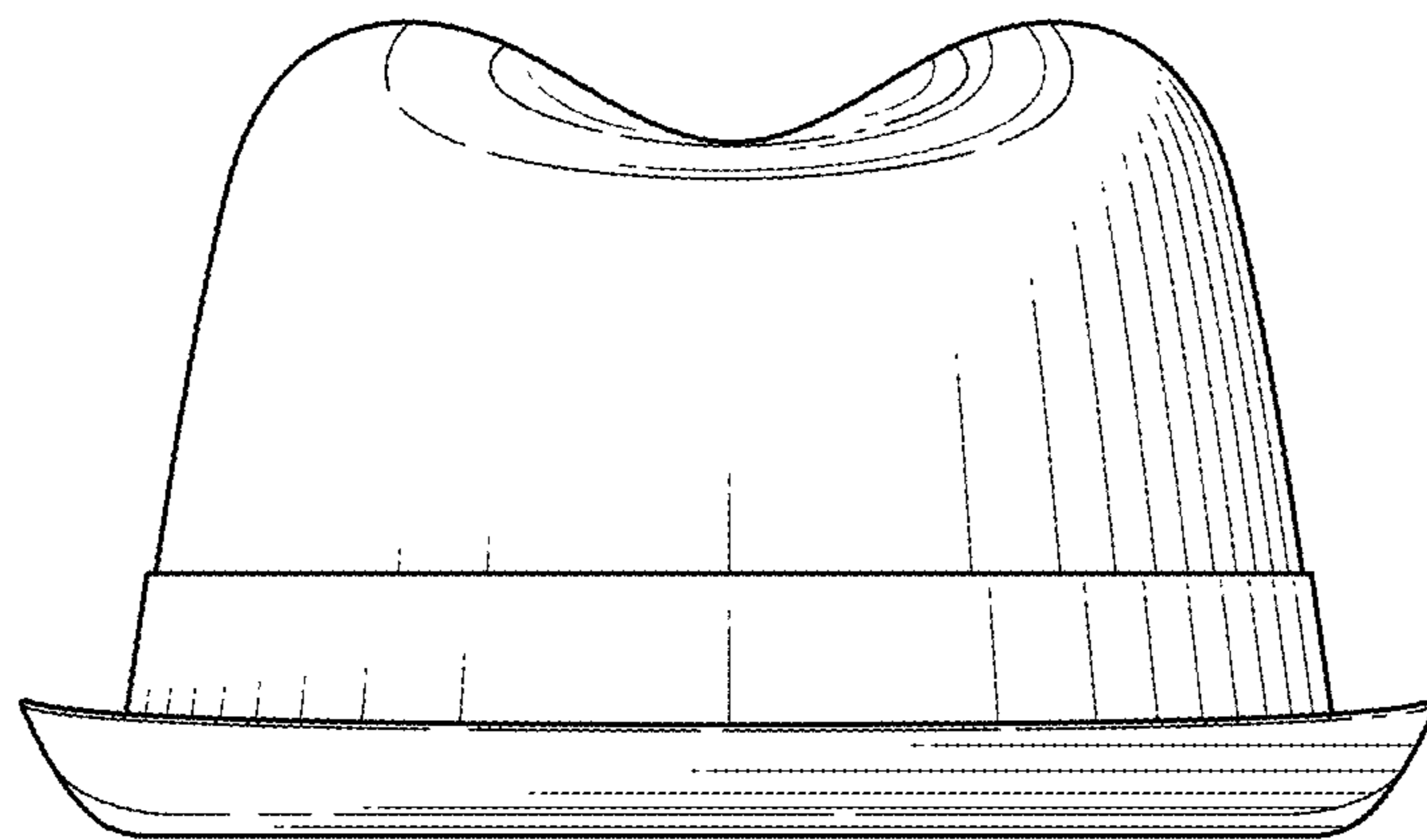


FIG. 3

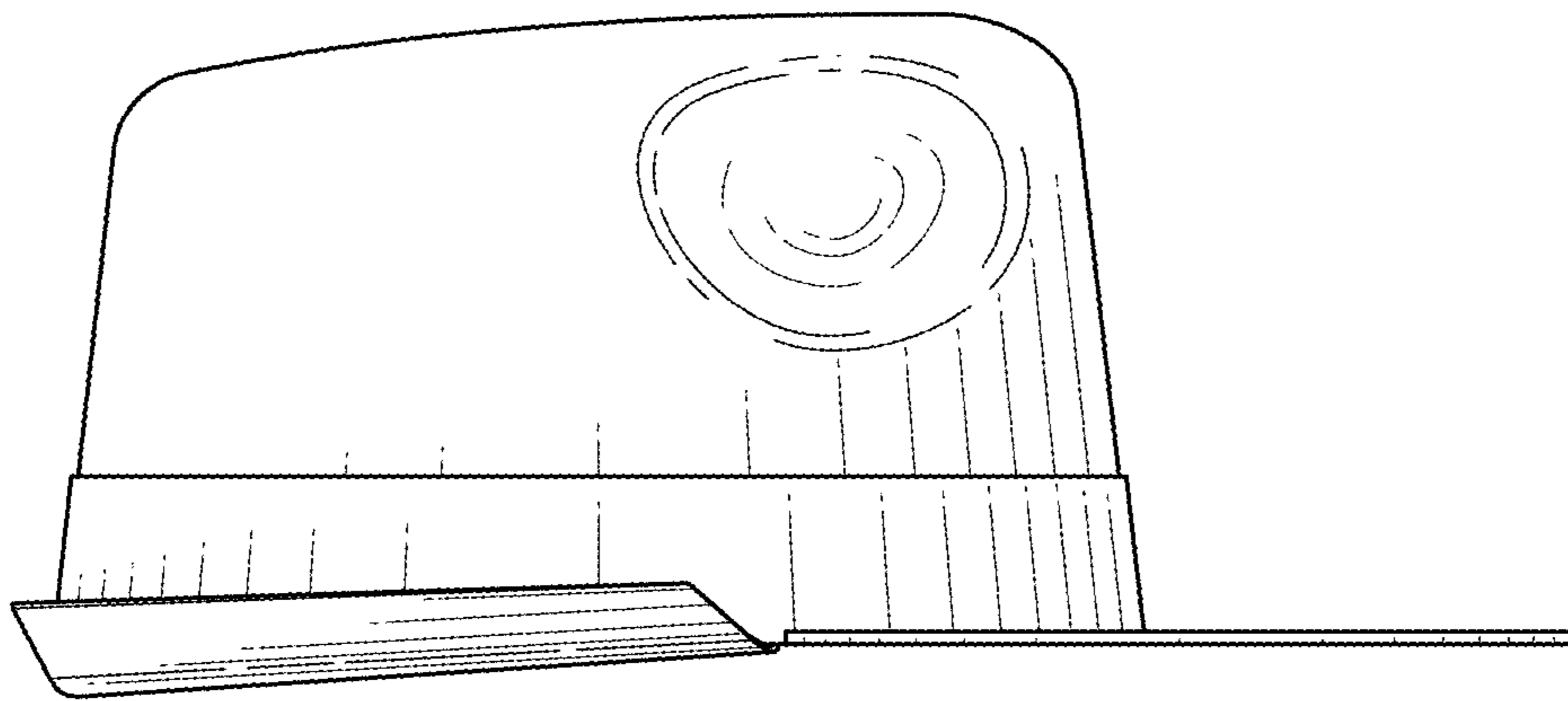


FIG. 4

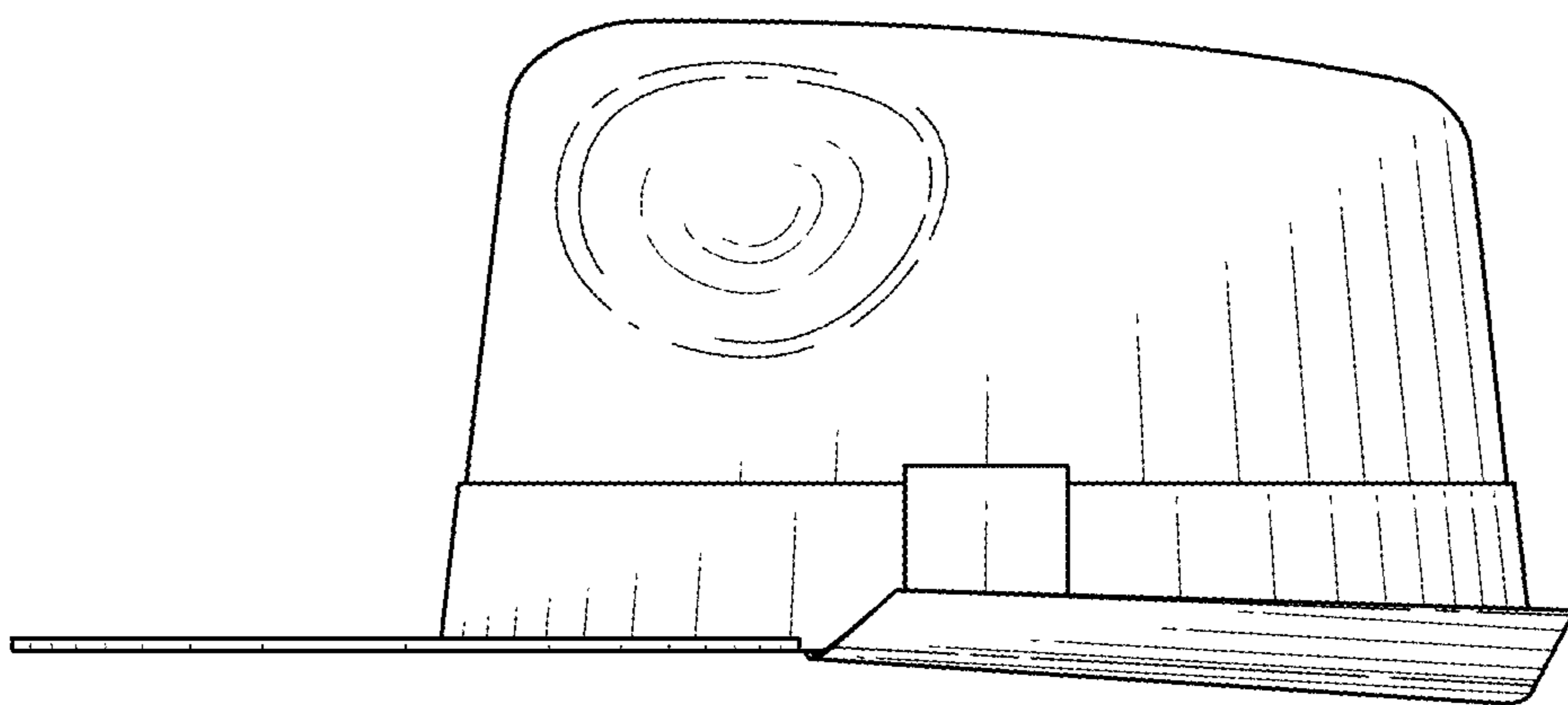


FIG. 5



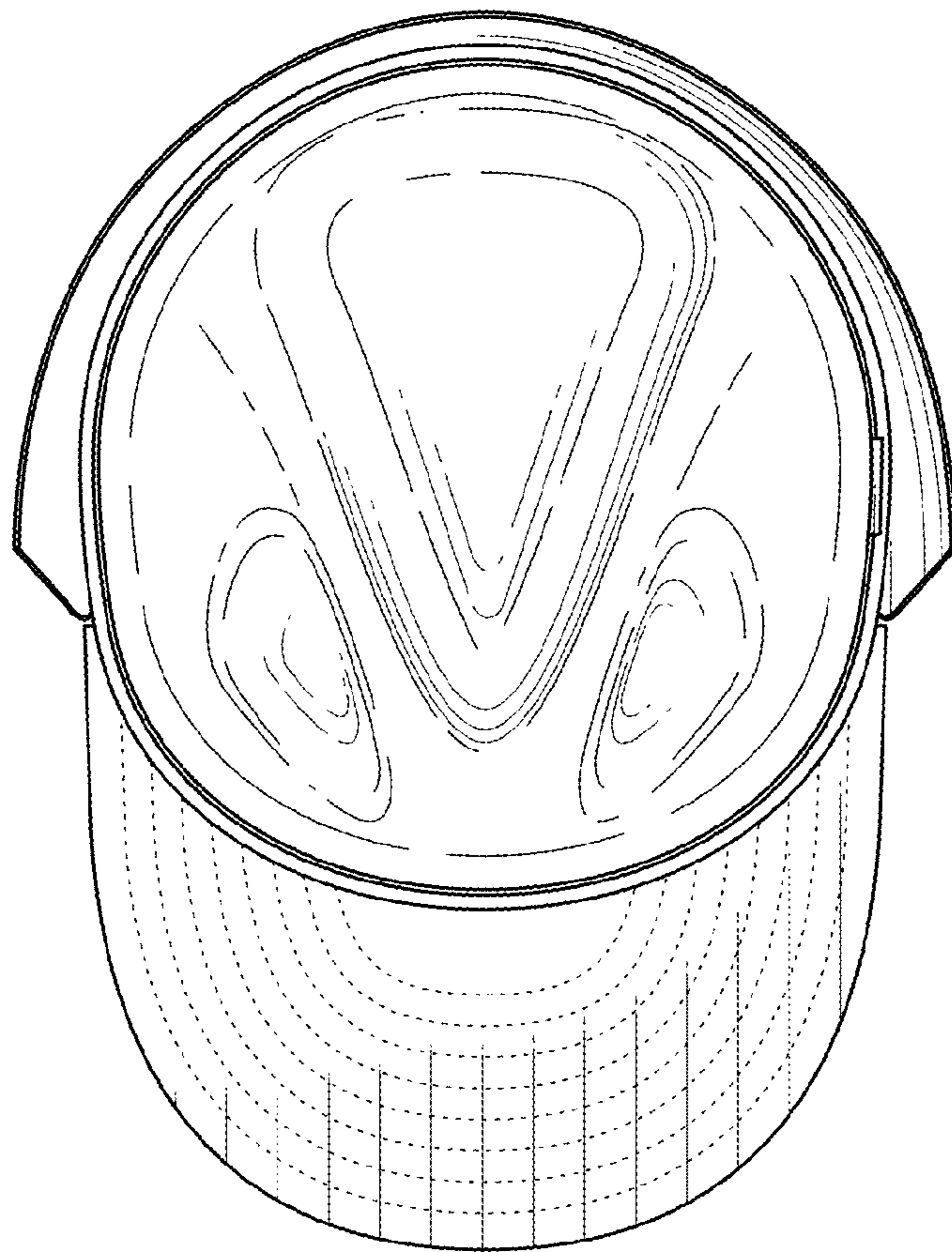


FIG. 6

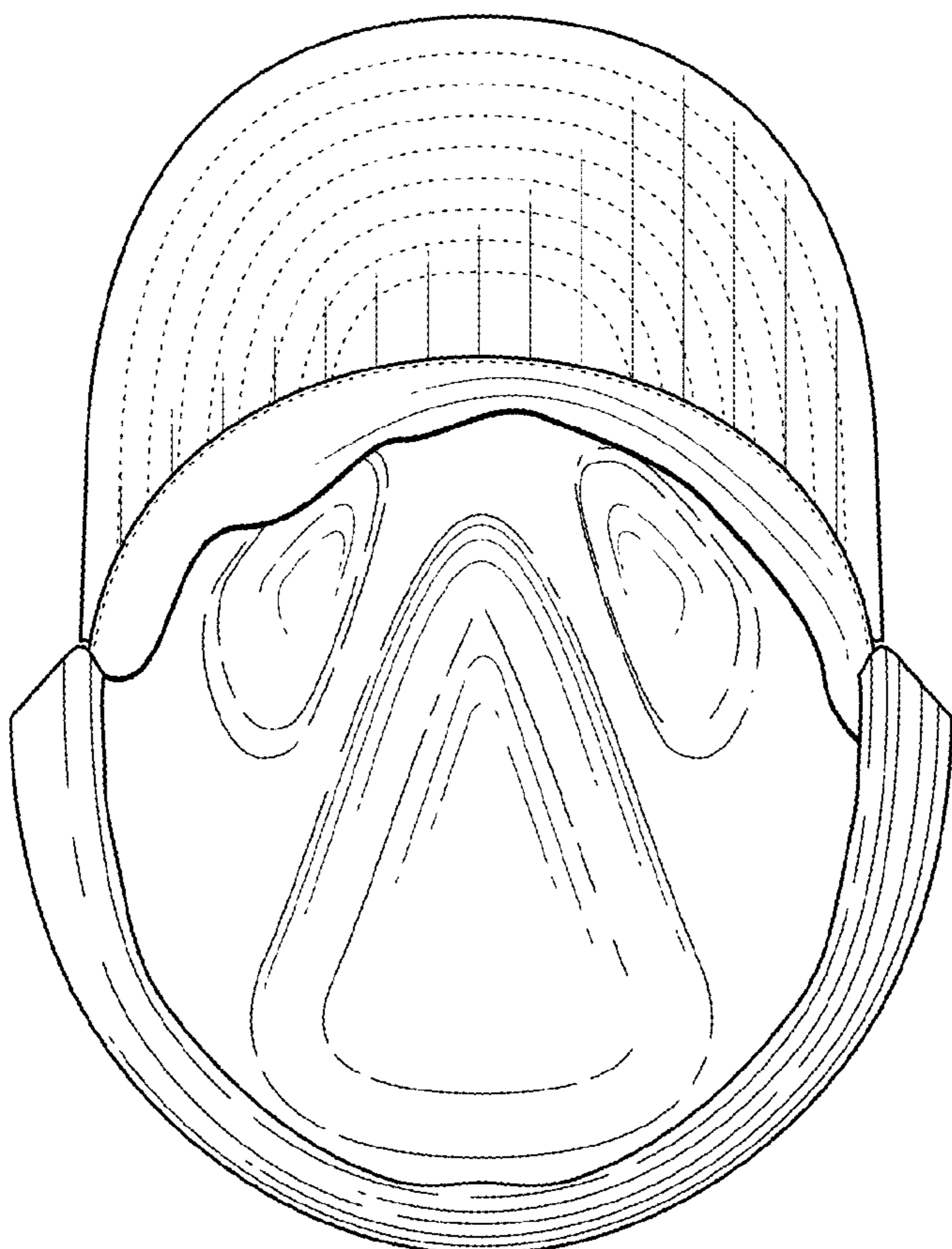


FIG. 7

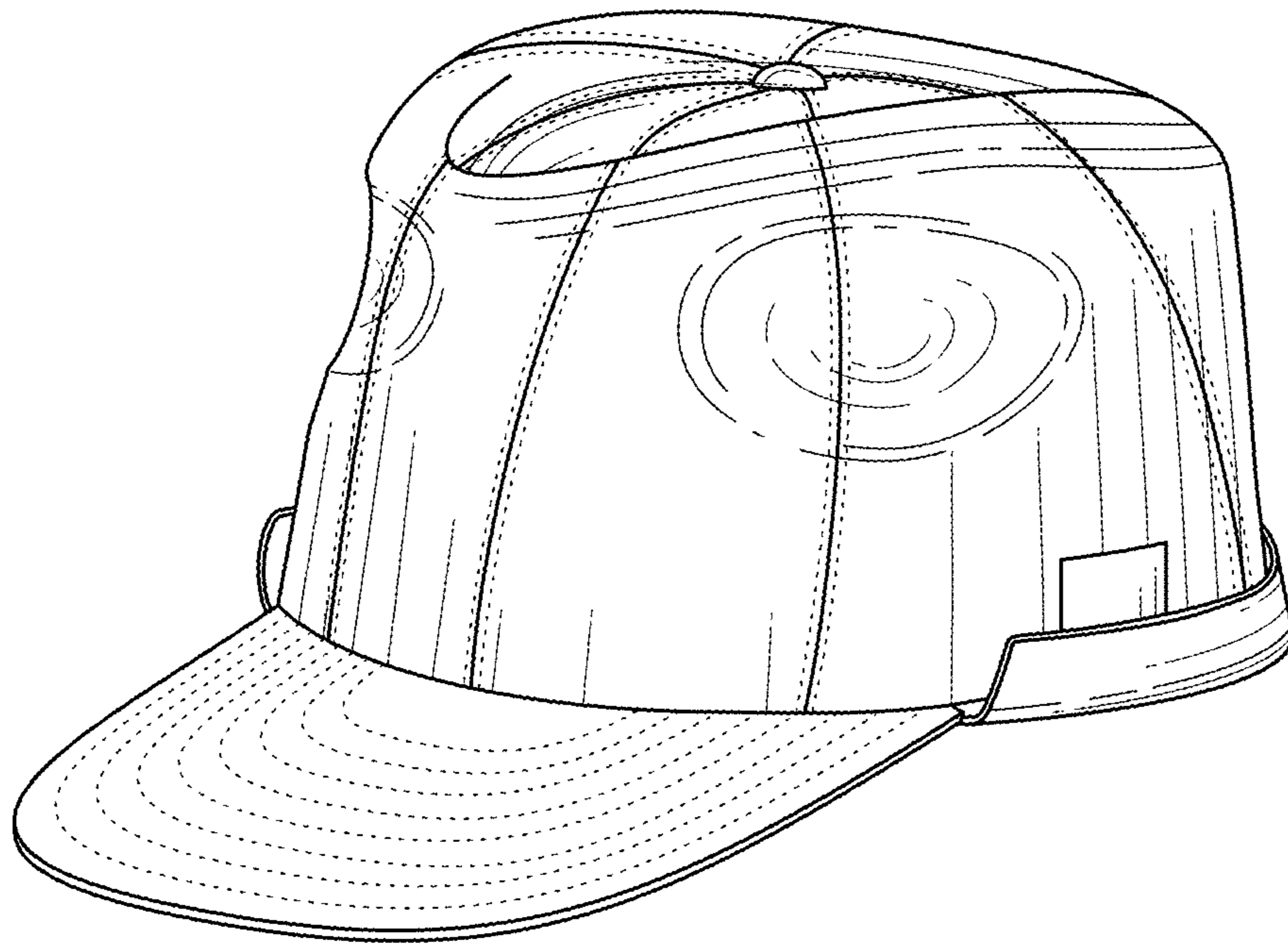


FIG. 8

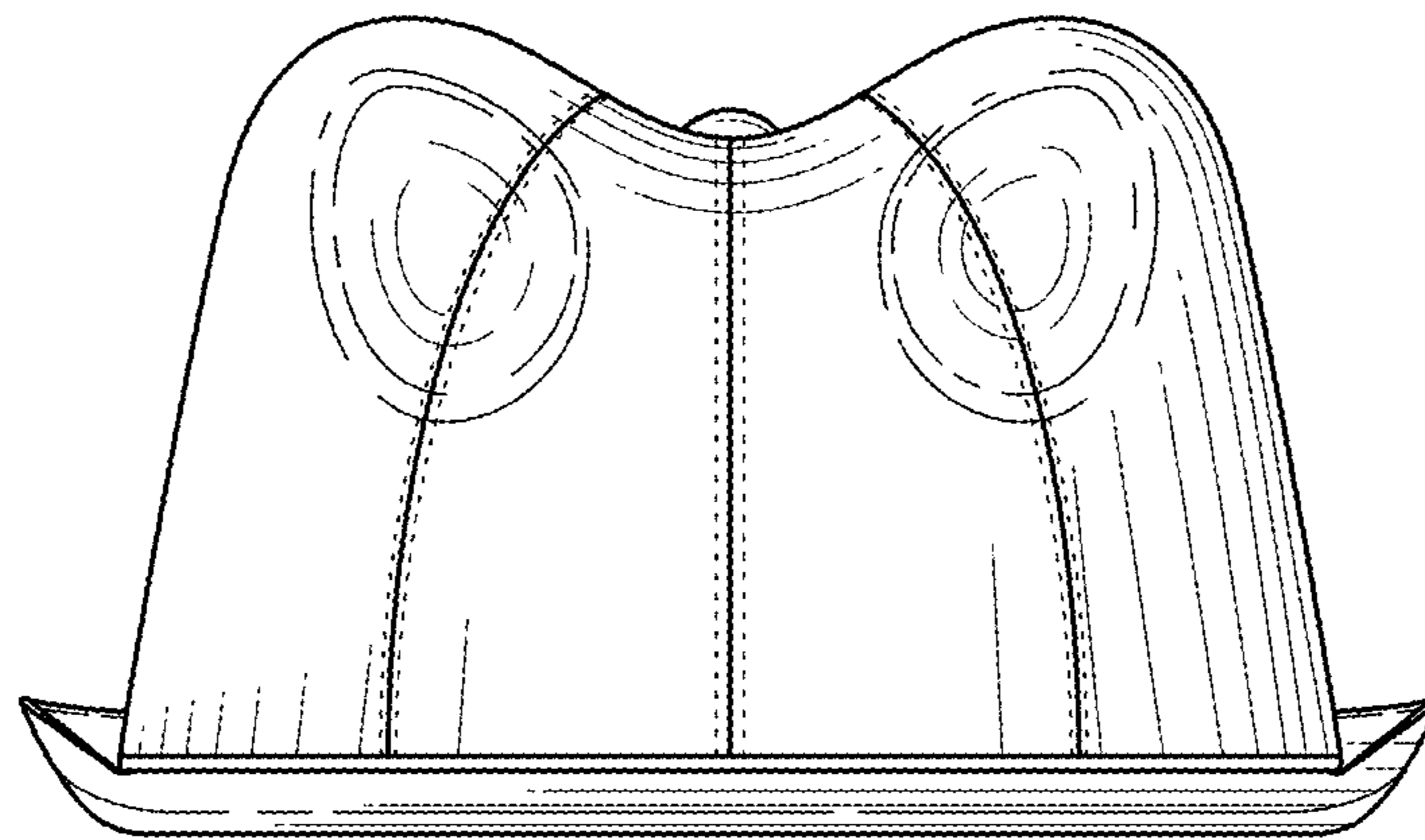


FIG. 9

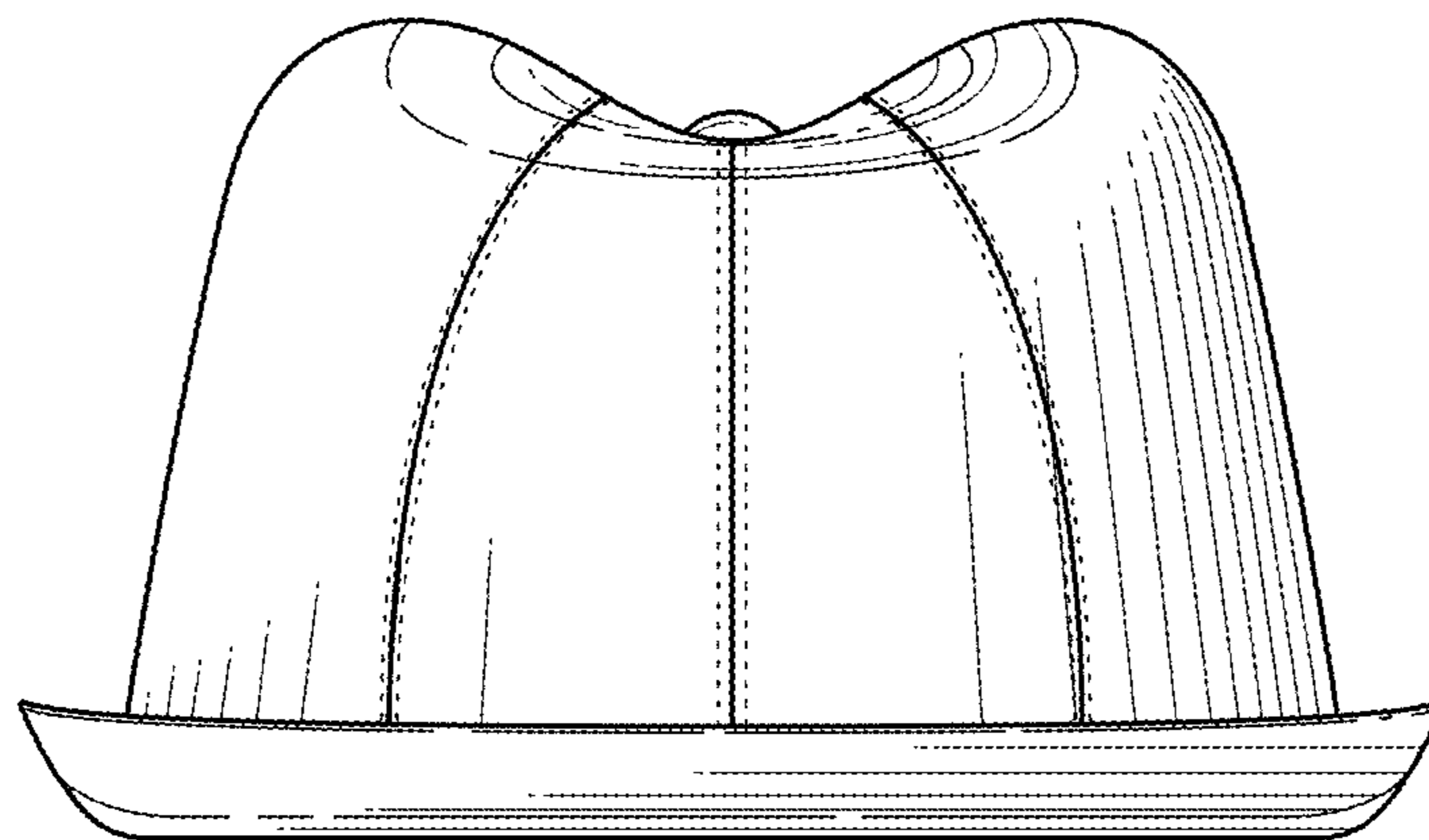


FIG. 10

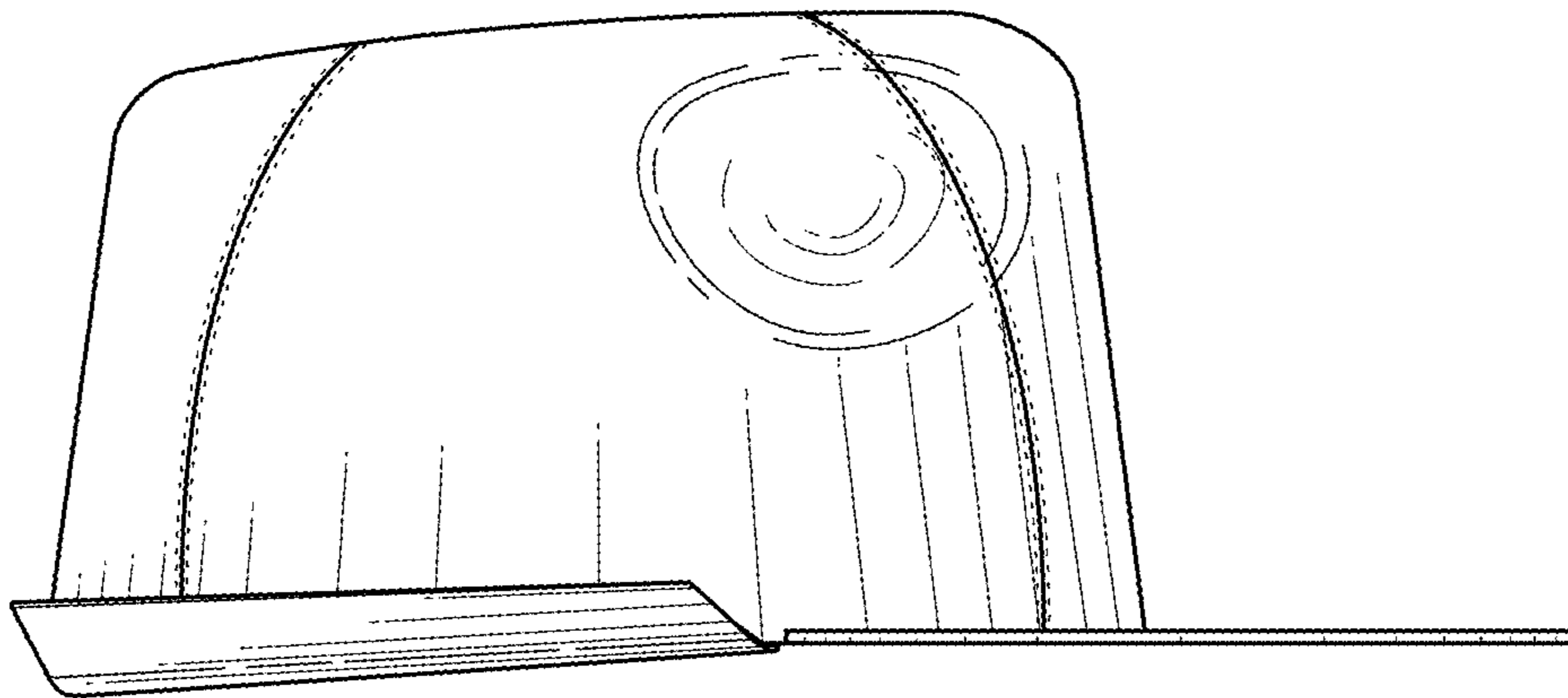


FIG. 11

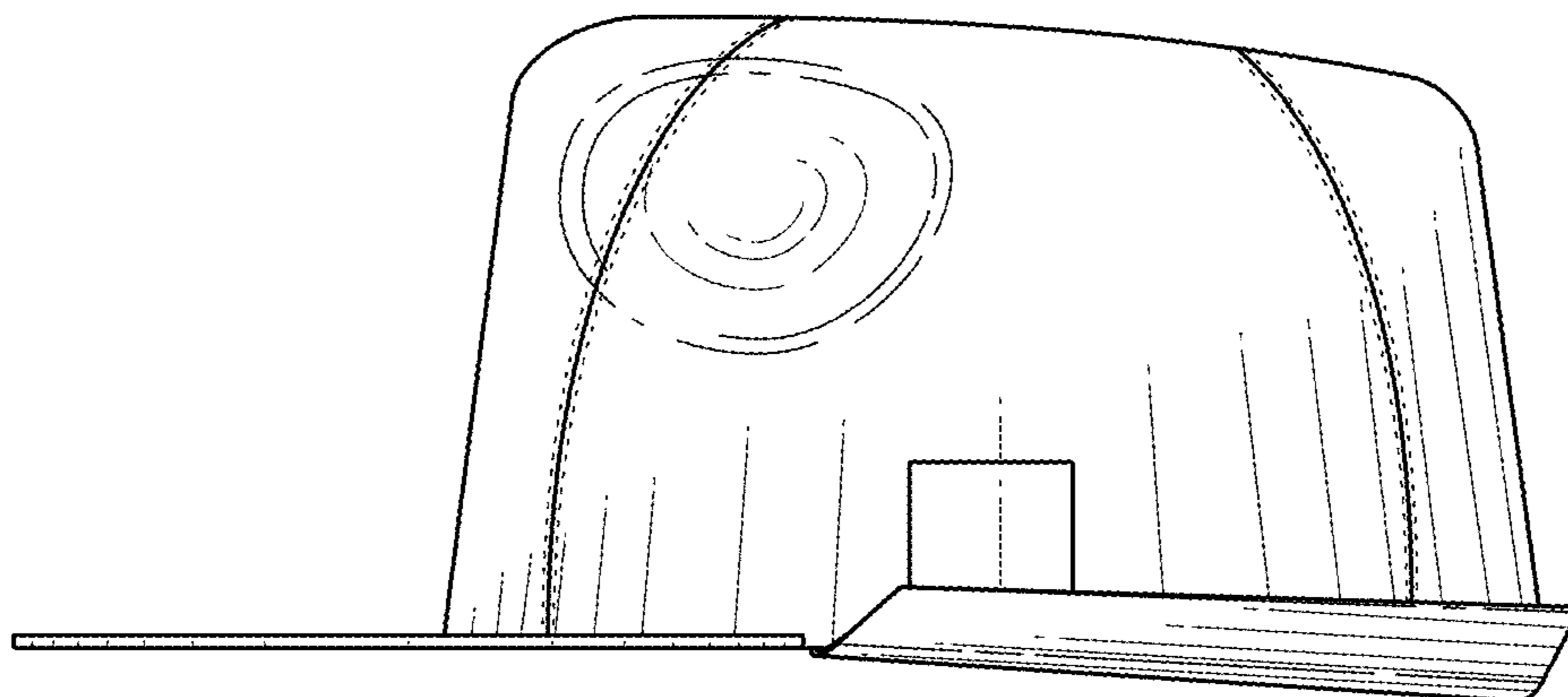


FIG. 12



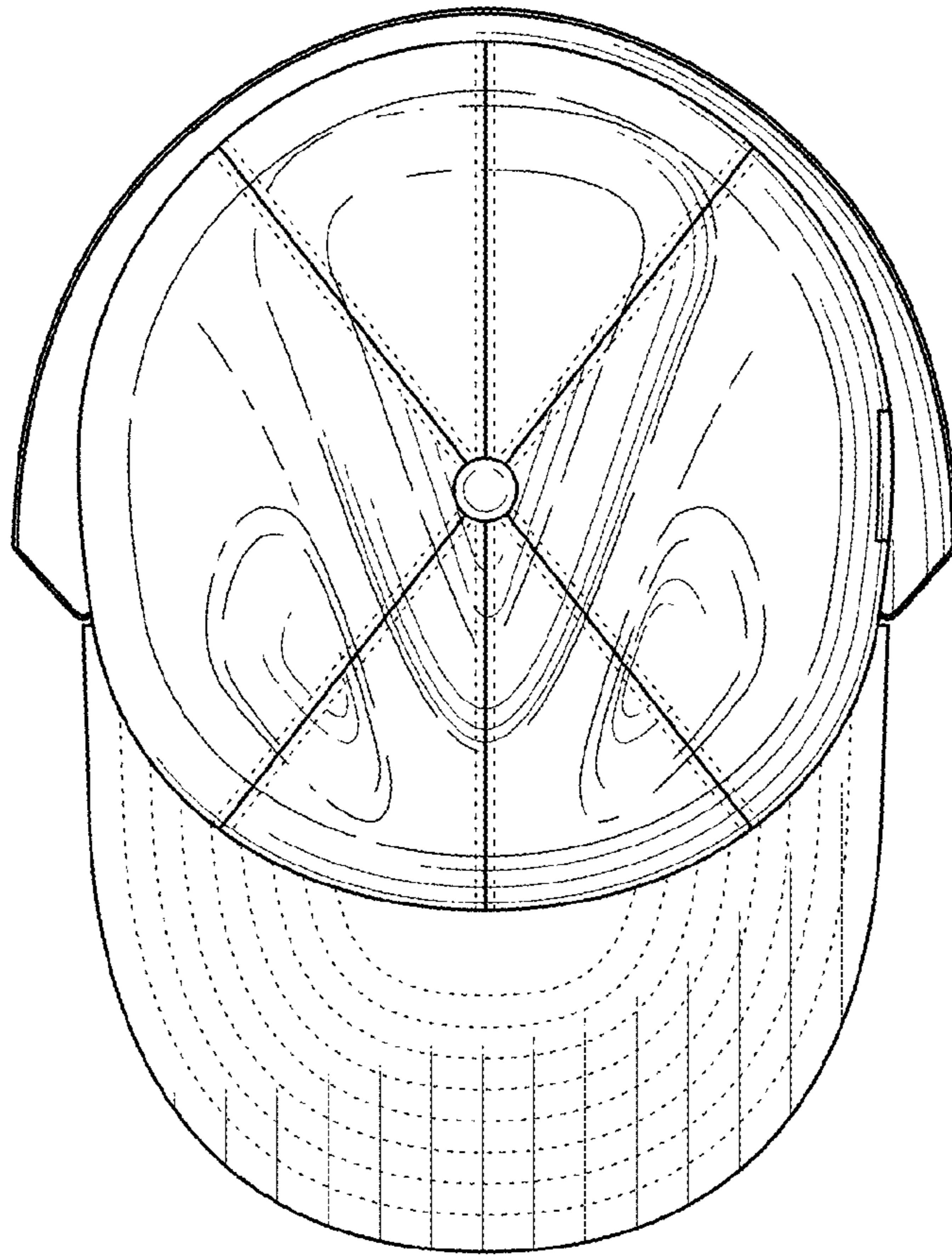


FIG. 13

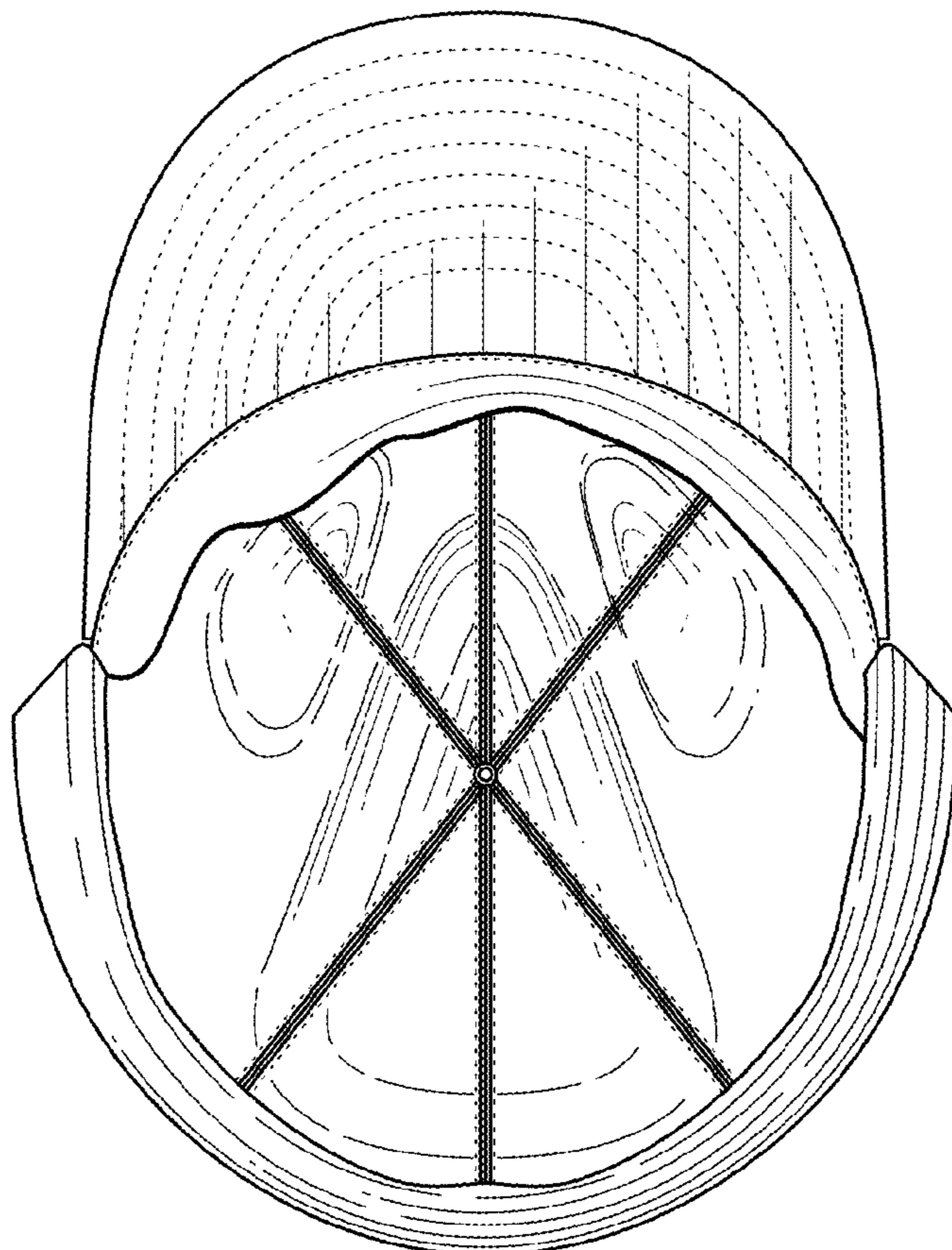


FIG. 14