



US00D931576S

(12) **United States Design Patent**
Borgia

(10) **Patent No.:** **US D931,576 S**

(45) **Date of Patent:** **** Sep. 28, 2021**

(54) **JACKET**

(71) Applicant: **Eddie Bauer LLC**, Bellevue, WA (US)

(72) Inventor: **Katie Borgia**, Seattle, WA (US)

(73) Assignee: **EDDIE BAUER LLC**, Bellevue, WA (US)

(**) Term: **15 Years**

(21) Appl. No.: **29/674,361**

(22) Filed: **Dec. 20, 2018**

(51) **LOC (13) Cl.** **02-02**

(52) **U.S. Cl.**
USPC **D2/828**

(58) **Field of Classification Search**
USPC D2/828-829, 831
CPC A41D 1/02; A41D 1/04; A41D 1/082
See application file for complete search history.

(56) **References Cited**

U.S. PATENT DOCUMENTS

D194,967 S	4/1963	Bauer	
3,398,406 A	8/1968	Waterbury	
D238,403 S	1/1976	Kracke	
3,988,780 A	1/1976	Armellino	
4,084,264 A	4/1978	Marion	
D298,474 S	11/1988	Twede	
5,465,423 A	11/1995	Taylor-Varney	
6,983,490 B1	1/2006	Grilliot et al.	
D527,868 S	9/2006	Wager	
D633,690 S	3/2011	Tronvold	
D639,023 S	6/2011	Iamartino et al.	
D648,924 S	11/2011	Propst	
D650,154 S	12/2011	Saavedra	
D653,430 S	2/2012	Pouches	
D675,400 S *	2/2013	Mertes	D2/839
D685,158 S	7/2013	Lambertz	
D685,159 S *	7/2013	Lambertz	D2/829
D693,095 S	11/2013	Grant	

D698,528 S	2/2014	Roberts et al.	
D702,419 S	4/2014	Mertes	
D742,099 S *	11/2015	Wager	D2/828
D749,298 S	2/2016	Mertes	
D752,846 S *	4/2016	Pezzimenti	D2/829
D788,404 S *	6/2017	Van Sisseren	D2/731
D801,639 S *	11/2017	Ingram	D2/831
D806,986 S *	1/2018	Ingram	D2/828
D884,311 S *	5/2020	Hodges	D2/829

(Continued)

OTHER PUBLICATIONS

Eddie Bauer Men's MicroTherm 2.0 Down Jacket, posted online [2012], (retrieved Jun. 25, 2020). Retrieved from the internet, https://www.amazon.com/dp/B07Fpsc=1&pd_rd_i=B07FTKVDGG&pd_rd_w=cPA5P&pf_rd_p=48d372c1-f7e1-4b8b-9%E2%80%A6 (Year: 2012).*

(Continued)

Primary Examiner — Kevin K Rudzinski

Assistant Examiner — J. Thorn, Sr.

(74) *Attorney, Agent, or Firm* — Sheridan Ross P.C.

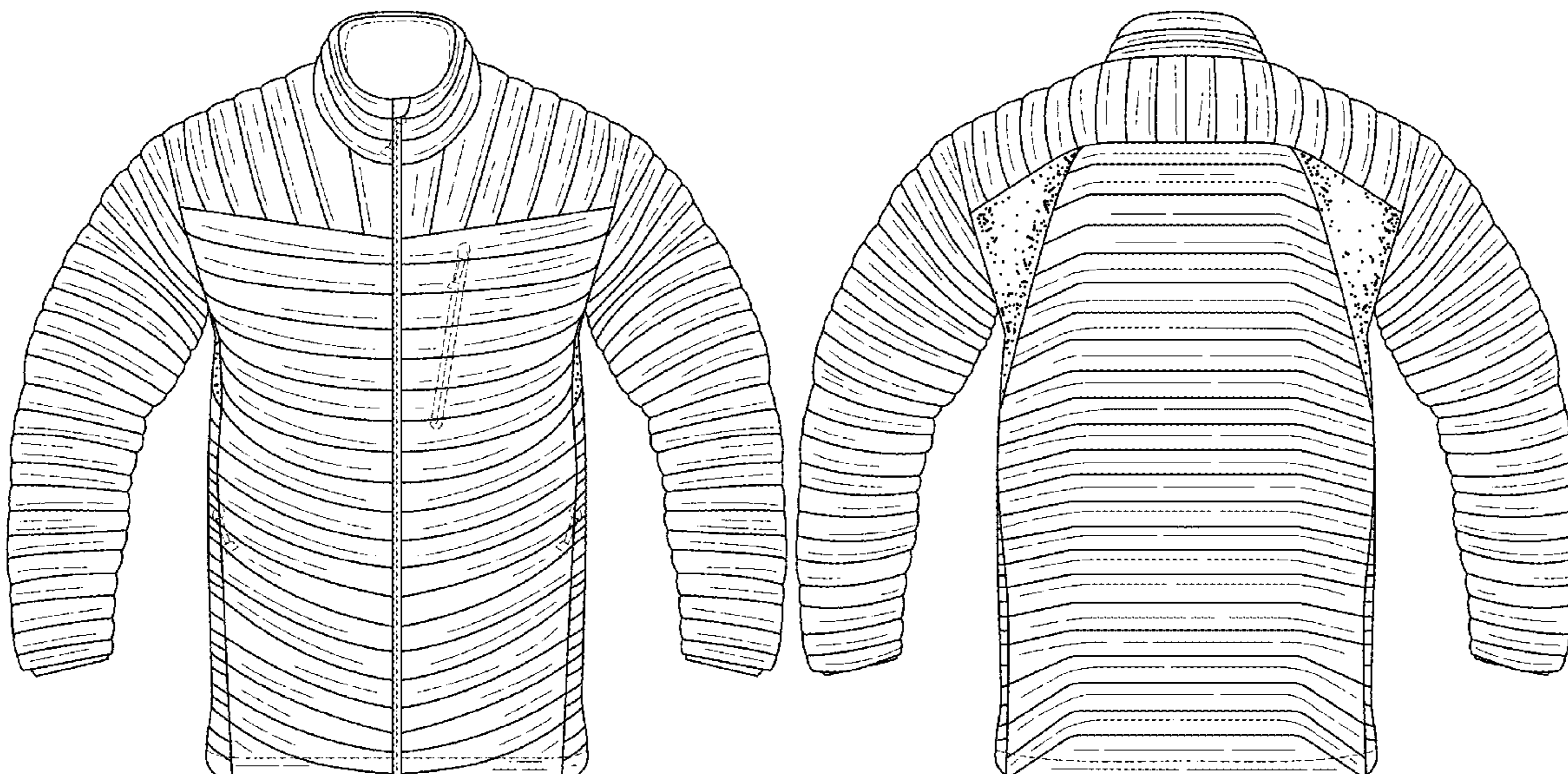
(57) **CLAIM**

The ornamental design for a jacket, as shown and described.

DESCRIPTION

FIG. 1 is a perspective view of a jacket showing the claimed design; FIG. 2 is a front elevation view of the jacket of FIG. 1; FIG. 3 is a rear elevation view of the jacket of FIG. 1; FIG. 4 is a right elevation view of the jacket of FIG. 1; FIG. 5 is a left elevation view of the jacket of FIG. 1; FIG. 6 is a top plan view of the jacket of FIG. 1; and, FIG. 7 is a bottom plan view of the jacket of FIG. 1. The broken lines in the figures are for the purposes of illustrating portions of the jacket or environmental structure and form no part of the claimed design.

1 Claim, 7 Drawing Sheets



(56)

References Cited

U.S. PATENT DOCUMENTS

2008/0184454 A1 8/2008 Collier
 2013/0276201 A1* 10/2013 Pezzimenti A41D 31/14
 2/69
 2016/0143373 A1* 5/2016 Castellano A41D 11/00
 2/67
 2017/0099898 A1* 4/2017 Pezzimenti A41D 31/14

OTHER PUBLICATIONS

First Ascent Men's MicroTherm 2.0 Down Jacket, posted online [2014], (retrieved Jun. 25, 2020). Retrieved from the internet, [http://www.eddiebauer.com/p/38832402/men%27s-microtherm\(r\)-2.0-down-jacket?sp=1&color=Med Indigo](http://www.eddiebauer.com/p/38832402/men%27s-microtherm(r)-2.0-down-jacket?sp=1&color=Med%20Indigo) (Year: 2014).*

Marmot Men's Lightweight, Water-Resistent Zeus Jacket, 700 Fill Power, posted online [2012], (retrieved Jun. 25, 2020). Retrieved from the internet, https://www.amazon.com/dp/B07DGPSC1&pd_rd_i=B07DGG497F&pd_rd_w=5gAPf&pf_rd_p=48d372c1-f7e1-4b8b-9%E2%80%A6 (Year: 2012).*

CirrusLite Down Jacket, posted 2016 [online], (retrieved Oct. 13, 2020), Retrieved from the internet, <https://www.eddiebauer.com/p/10112119/mens-cirruslite-down-jacket?sp=1&color=Atlantic&size=L&sizeType=> (Year: 2016).*

U.S. Appl. No. 29/674,358, filed Dec. 20, 2018, Borgia.
 U.S. Appl. No. 29/674,359, filed Dec. 20, 2018, Gorson.
 U.S. Appl. No. 29/674,362, filed Dec. 20, 2018, Gorson.
 Gear Talk: Rab Microlite Vest at website entitled "Hiking in Finland" available at <http://www.hikinginfinland.com/2009/08/gear-talk-rab-microlite-vest.html>, 2008, 8 pages.
 Mountain Hardwear Nitrous Jacket available at <http://www.klmountainshop.com/mountain-hardwear-nitrous-jacket.html?CAWELAID=1001121898>, Fall 2010, 2 pages.
 Nau Down Shirt available at http://www.rockcreek.com/nau/down-shirt-mens/25491.rc?utm_source=google&utm_medium=shopping&utm_content=down-shirt-mens&utm_campaign=nau#, 2010, 2 pages.
 Regenold, "Down Puffy Jackets," available at <http://gearjunkie.com/down-puffy-jackets>, Feb. 1, 2010, 6 pages.
 EVO. <http://www.evo.com/outlet/insulated-jackets/burton-ak-bk-insulator-puffy-jacket-12.aspx>. Copyright 2012. "Burton AK BK Insulator Puffy Jacket".
 Sweet Briar Outdoor Program. <http://sbcoutdoors.wordpress.com/page/3/>. Nov. 2011. Puffy Jacket.
 Official Action (no English translation available) for Japanese Patent Application No. 2019-013656, dated Aug. 28, 2019, 1 page.
 Official Action (no English translation available) for Japanese Patent Application No. 2019-013657, dated Aug. 28, 2019, 1 page.

Official Action (no English translation available) for Japanese Patent Application No. 2019-013658, dated Aug. 28, 2019, 1 page.
 Official Action (no English translation available) for Japanese Patent Application No. 2019-013659, dated Aug. 28, 2019, 1 page.
 Notice of Allowance for U.S. Appl. No. 29/389,482, dated Oct. 11, 2012, 9 pages.
 Official Action for U.S. Appl. No. 29/389,477, dated Jun. 21, 2013, 6 pages Restriction Requirement.
 Official Action for U.S. Appl. No. 29/389,477, dated Nov. 21, 2013,, 8 pages.
 Notice of Allowance for U.S. Appl. No. 29/389,477, dated Jan. 16, 2014, 6 pages.
 Notice of Allowance for U.S. Appl. No. 29/486,126, dated Oct. 7, 2015, 6 pages.
 Notice of Allowance (no English translation available) for Russian Patent Application No. 2019502627, dated Nov. 26, 2019, 9 pages.
 Notice of Allowance (with English translation) for Chinese Patent Application No. 201930321096.5, dated Oct. 31, 2019, 3 pages.
 Notice of Allowance (no English translation available) for Russian Patent Application No. 2019502629, dated Nov. 26, 2019, 10 pages.
 Notice of Allowance (with English translation) for Chinese Patent Application No. 201930321065.X, dated Oct. 31, 2019, 3 pages.
 Notice of Allowance (no English translation available) for Japanese Patent Application No. 2019-013659, dated Jan. 8, 2020, 3 pages.
 Notice of Allowance (no English translation available) for Russian Patent Application No. 2019502634, dated Nov. 26, 2019, 10 pages.
 Official Action for Canadian Patent Application No. 188131, dated Aug. 5, 2020, 3 pages.
 Official Action for Canadian Patent Application No. 188132, dated Aug. 5, 2020, 3 pages.
 Official Action for Canadian Patent Application No. 188133, dated Aug. 5, 2020, 3 pages.
 Official Action (no English translation available) for Japanese Patent Application No. 2019-013658, dated Jun. 17, 2020, 1 page.
 Official Action for Canadian Patent Application No. 188134, dated Aug. 5, 2020, 3 pages.
 Official Action (no English translation available) for Japanese Patent Application No. 2019-013658, dated Feb. 8, 2020, 10 pages.
 Official Action for U.S. Appl. No. 29/674,358, dated Feb. 20, 2020, 7 pages. Restriction Requirement.
 Official Action for U.S. Appl. No. 29/674,359, dated Feb. 20, 2020, 7 pages. Restriction Requirement.
 Official Action for U.S. Appl. No. 29/674,362, dated Feb. 20, 2020, 7 pages. Restriction Requirement.
 "First Ascent Women's MicroTherm 2.0 Down Jacket," Eddie Bauer, 2014, retrieved from <https://www.eddiebauer.com/p/38925402/womens-microtherm-20-down-jacket?sp=1&rrec=true>, 8 pages.
 Official Action for U.S. Appl. No. 29/674,362, dated Sep. 29, 2020, 6 pages.

* cited by examiner



FIG.1



FIG.2

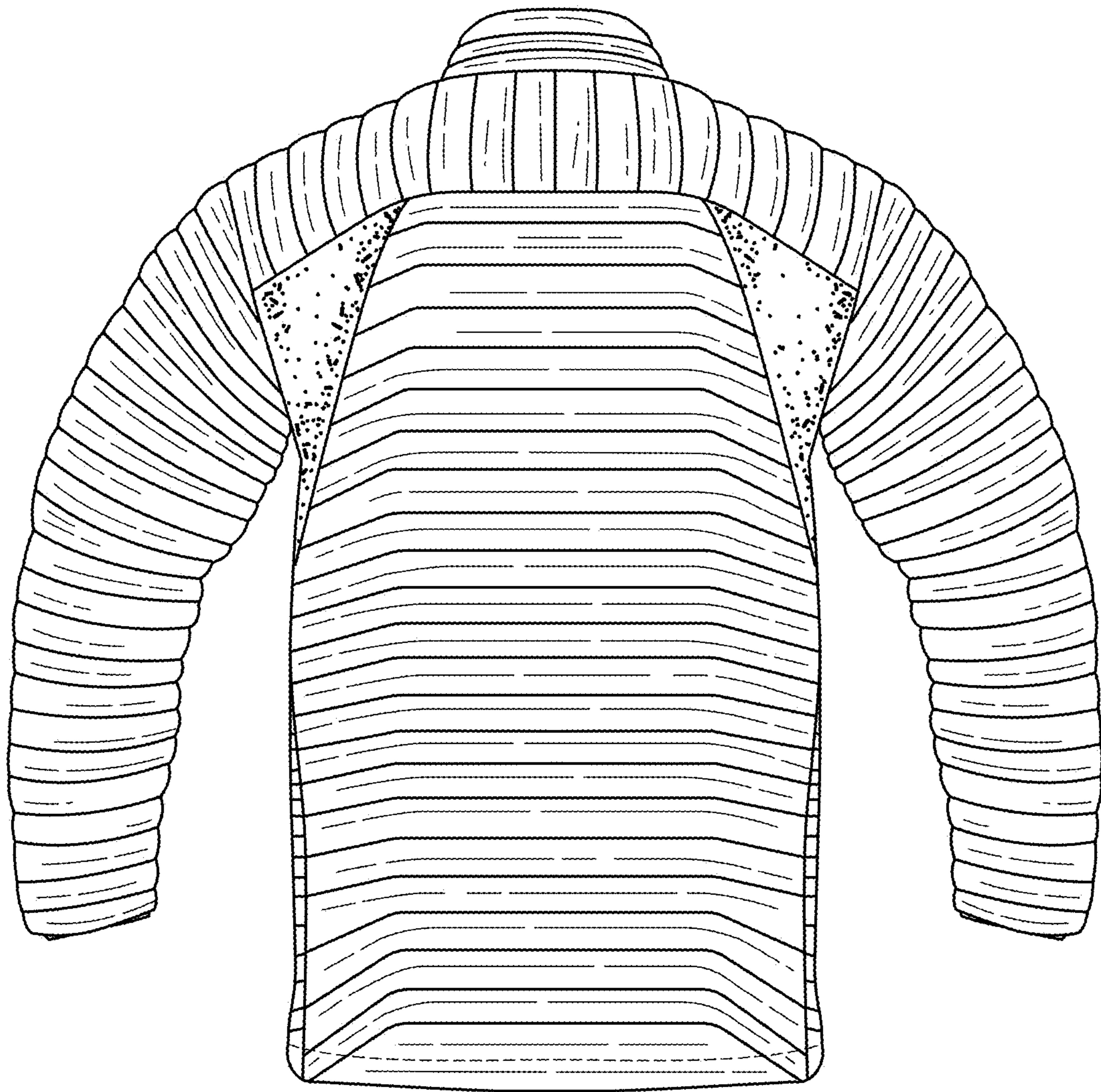


FIG.3

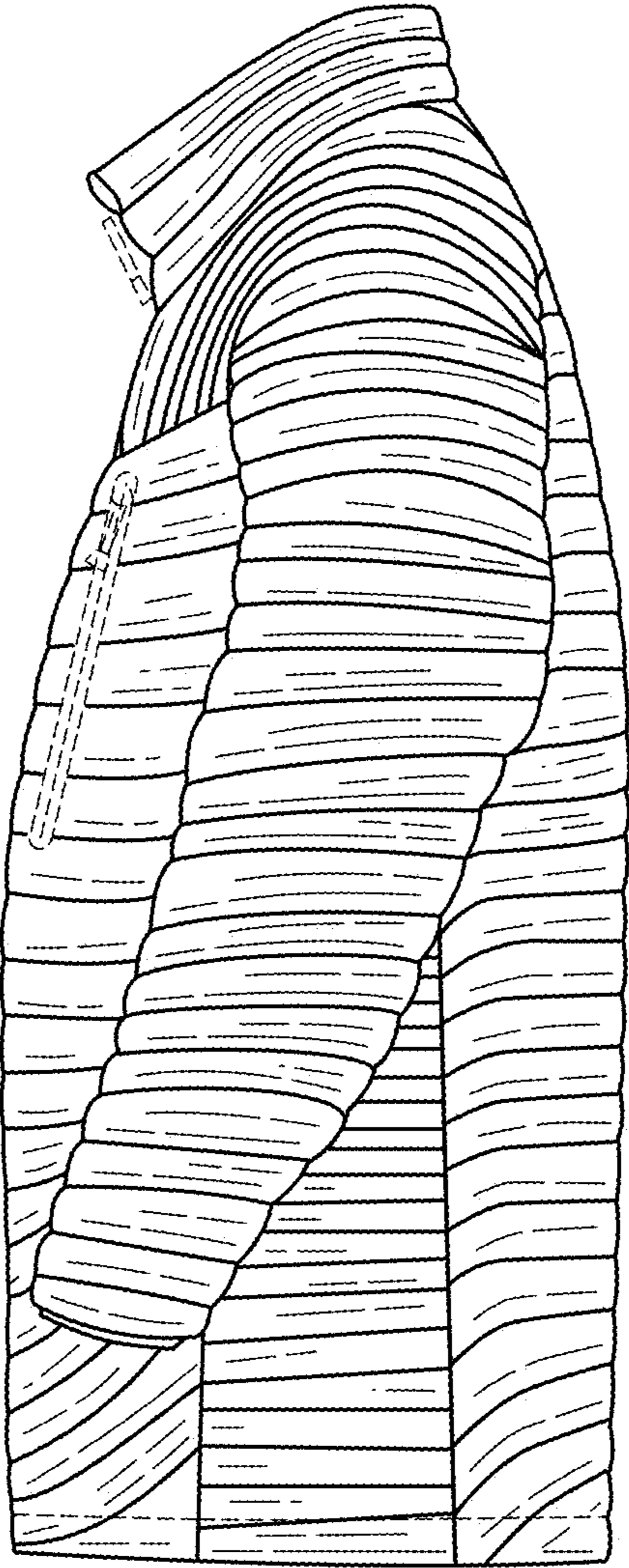


FIG.4

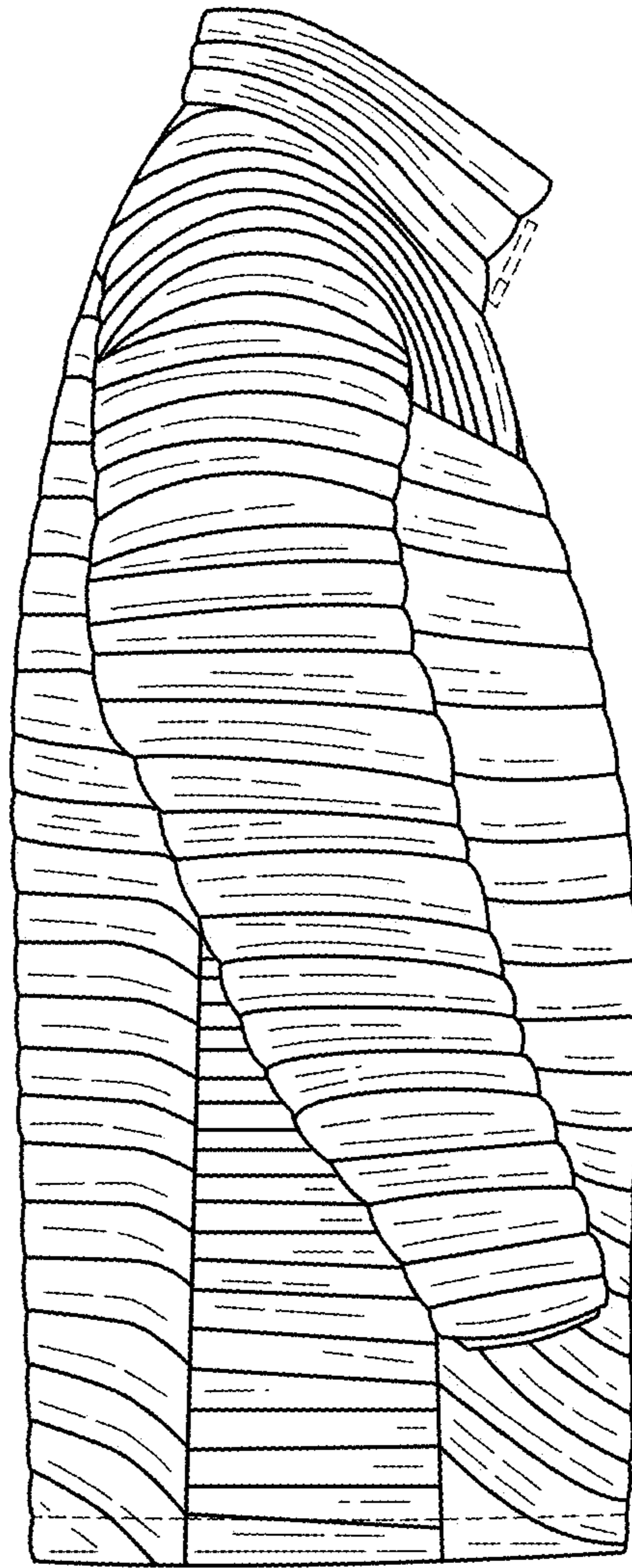


FIG.5

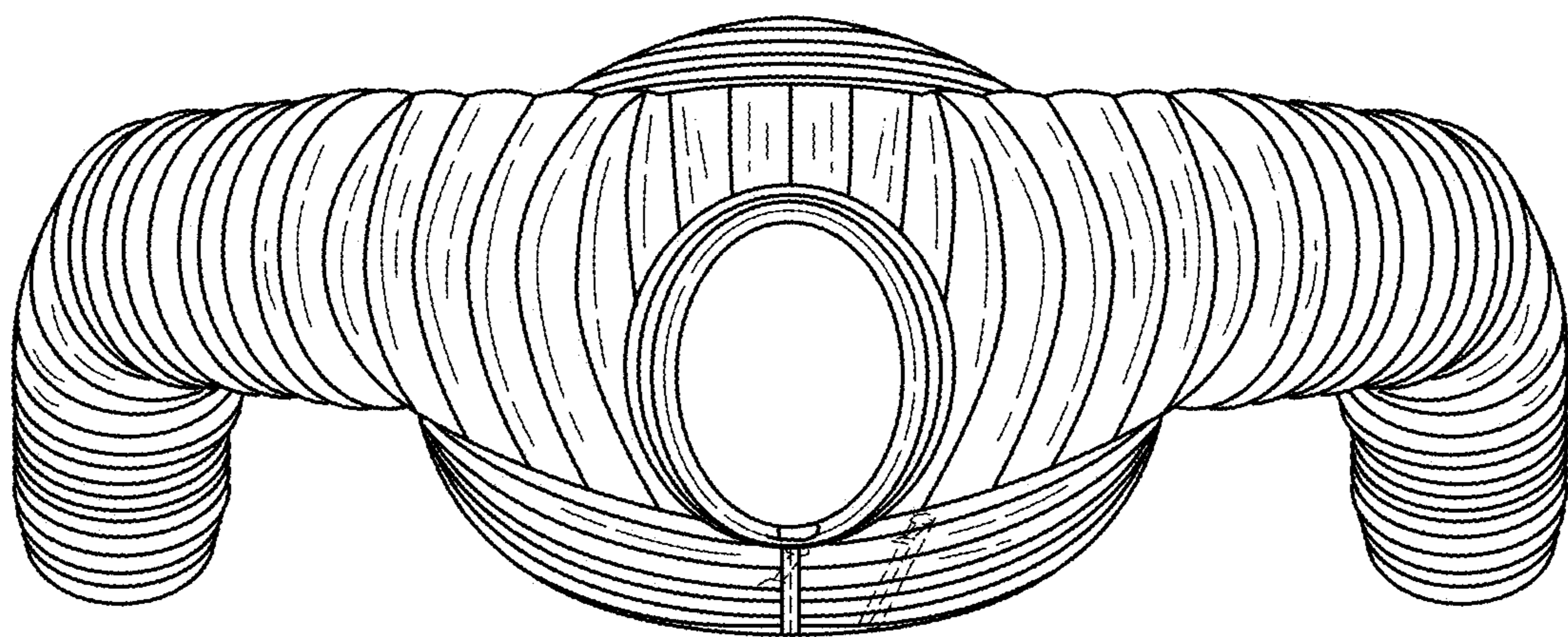


FIG.6

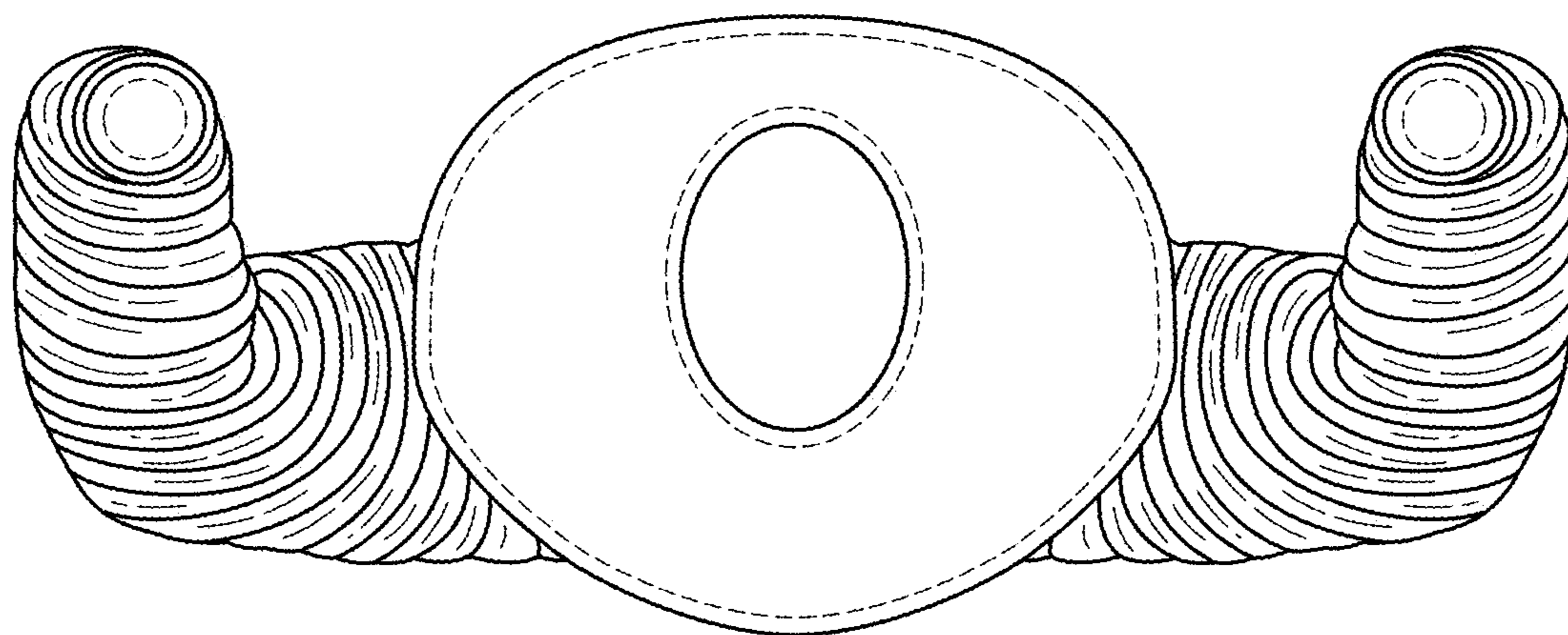


FIG.7