



US00D931571S

(12) **United States Design Patent** (10) **Patent No.:** **US D931,571 S**  
**Wang** (45) **Date of Patent:** **\*\* Sep. 28, 2021**

- (54) **COMBINED SOCKET WITH CLOCK**
- (71) Applicant: **ARKSUN INC**, Denver, CO (US)
- (72) Inventor: **Qinpeng Wang**, Denver, CO (US)
- (73) Assignee: **ARKSUN INC**, Denver, CO (US)
- (\*\*) Term: **15 Years**
- (21) Appl. No.: **29/751,886**
- (22) Filed: **Sep. 24, 2020**
- (51) **LOC (13) Cl.** ..... **13-03**
- (52) **U.S. Cl.**  
USPC ..... **D1/100; D13/137.2**
- (58) **Field of Classification Search**  
USPC ..... D13/137.1-137.4, 138.1, 138.2,  
D13/139.1-139.8, 110, 108, 152, 123  
CPC ..... H02J 7/0044; H02H 9/042; H01H 47/001  
See application file for complete search history.

- D846,498 S \* 4/2019 Byrne ..... H02J 7/0042  
D13/108
- D859,311 S \* 9/2019 Liao ..... D13/137.3
- D878,299 S \* 3/2020 Lyu ..... D13/139.8
- D881,821 S \* 4/2020 Lyu ..... D13/139.8
- D883,934 S \* 5/2020 Yu ..... D13/139.8
- D885,345 S \* 5/2020 Chen ..... D13/139.8
- D894,837 S 9/2020 Chen
- D894,838 S \* 9/2020 Chen ..... D13/139.7
- D894,839 S 9/2020 Chen
- D895,554 S \* 9/2020 Jianting ..... D13/137.2
- D916,028 S \* 4/2021 Yu ..... D13/139.8

\* cited by examiner

*Primary Examiner* — Rhea Shields  
(74) *Attorney, Agent, or Firm* — ScienBiziP, P.C.

(57) **CLAIM**

The ornamental design for a combined socket with clock, as shown and described.

**DESCRIPTION**

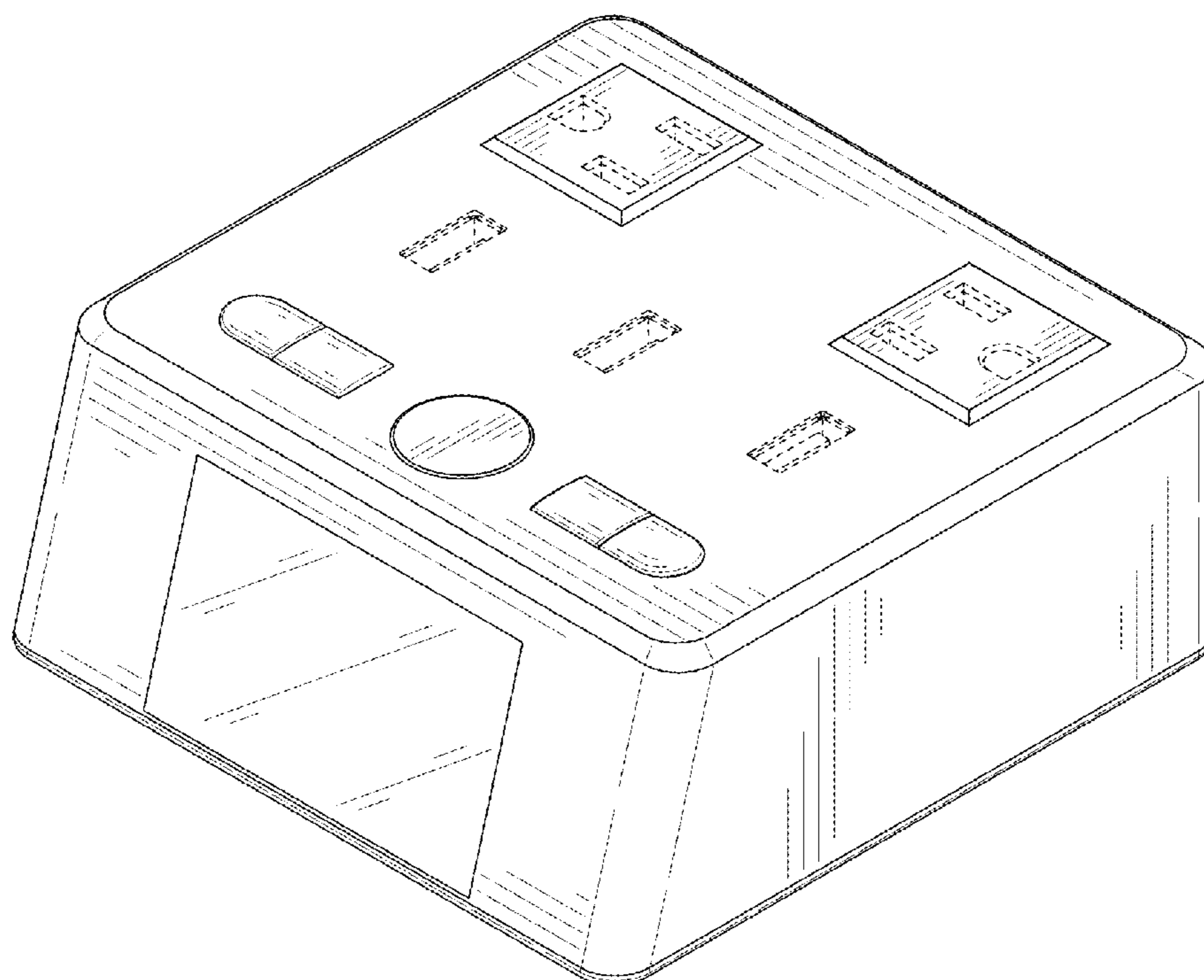
FIG. 1 is a top perspective view of a combined socket with clock, showing my design.  
 FIG. 2 is a bottom perspective view thereof.  
 FIG. 3 is a front elevation view thereof.  
 FIG. 4 is a rear elevation view thereof.  
 FIG. 5 is a left side elevation thereof.  
 FIG. 6 is a right side elevation thereof.  
 FIG. 7 is a top plan view thereof; and,  
 FIG. 8 is a bottom plan view thereof.  
 In the drawings, the broken lines are for the purpose of illustrating portions of the combined socket with clock that form no part of the claimed design.

(56) **References Cited**

U.S. PATENT DOCUMENTS

- 5,541,457 A \* 7/1996 Morrow ..... H01H 47/001  
307/38
- D379,796 S \* 6/1997 Bagga ..... D13/139.4
- 5,748,424 A \* 5/1998 Hung ..... H02H 9/042  
361/111
- D399,488 S \* 10/1998 Williams ..... D13/139.7
- D429,688 S \* 8/2000 Russo ..... D13/123
- D636,728 S \* 4/2011 Terleski ..... D13/139.4
- D695,693 S \* 12/2013 Lee ..... D13/152
- D735,138 S \* 7/2015 Miniger ..... D13/139.7
- D769,819 S \* 10/2016 Banayan ..... D13/110
- D777,674 S \* 1/2017 Mininger ..... D13/139.7

**1 Claim, 8 Drawing Sheets**



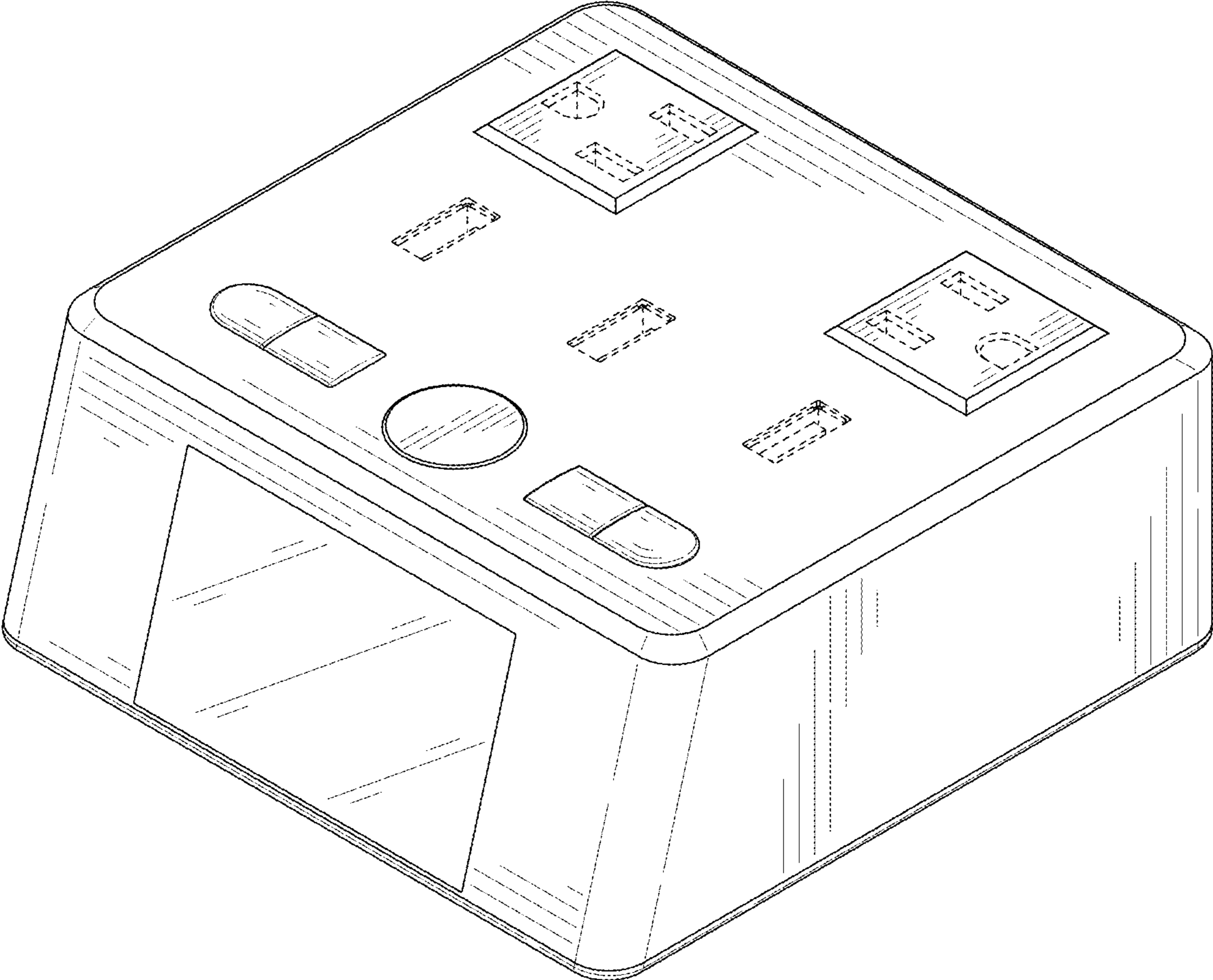


FIG. 1

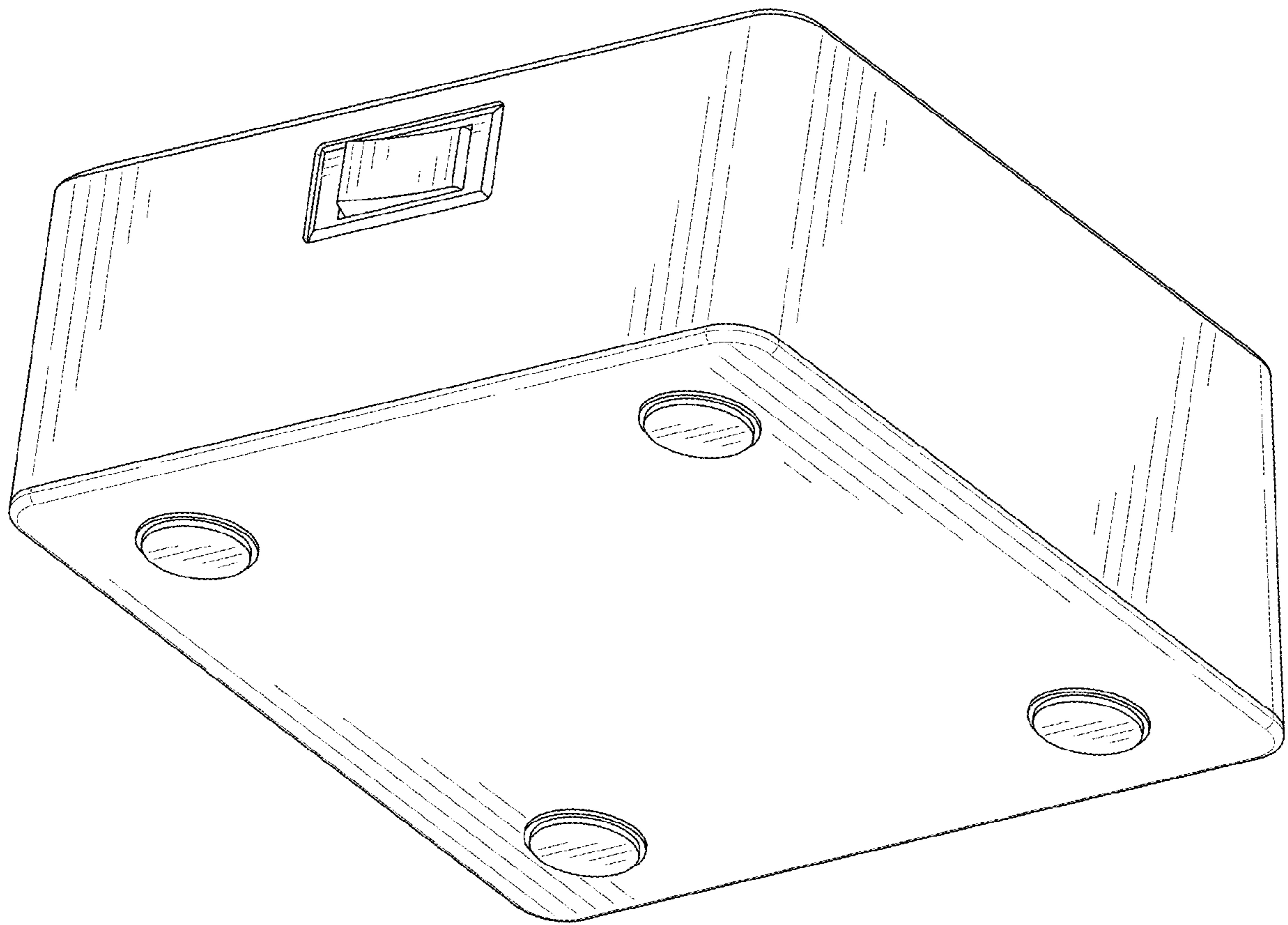


FIG. 2

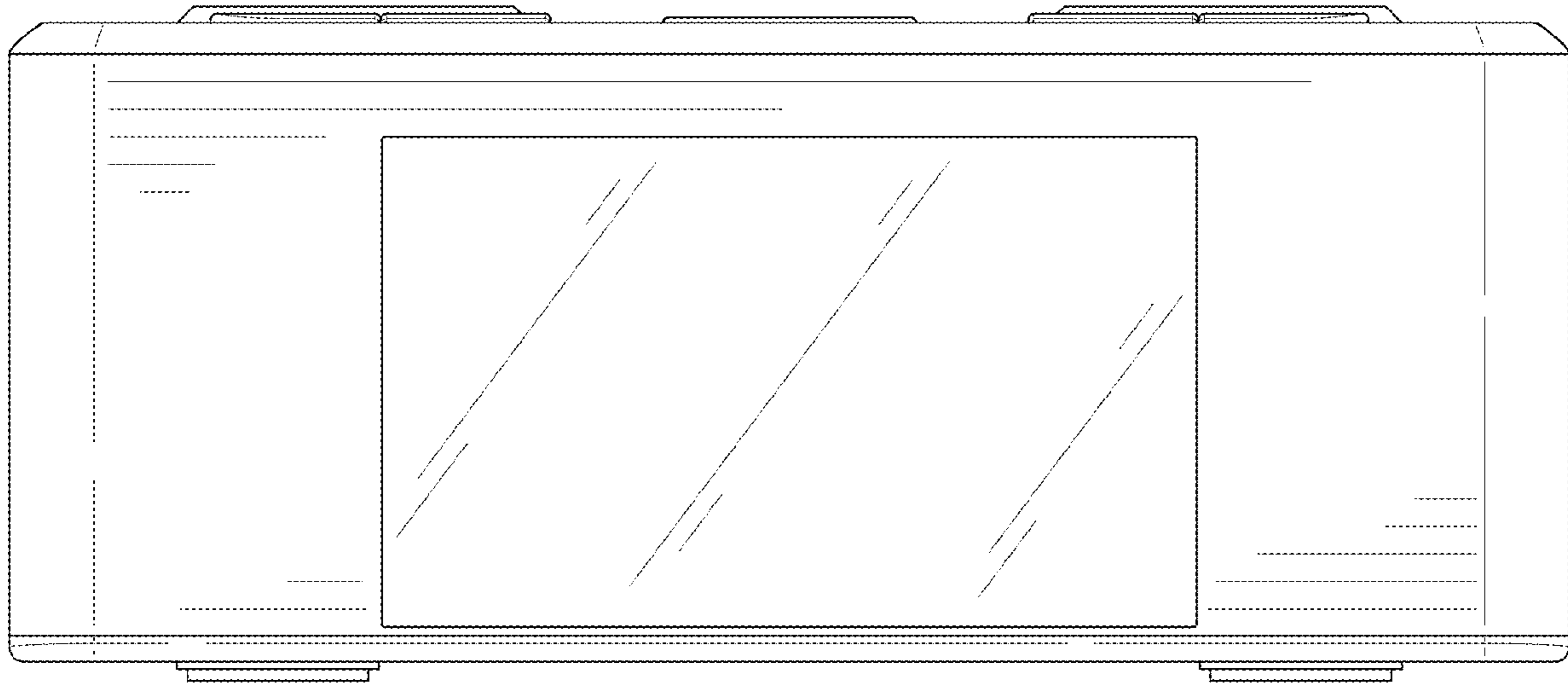


FIG. 3

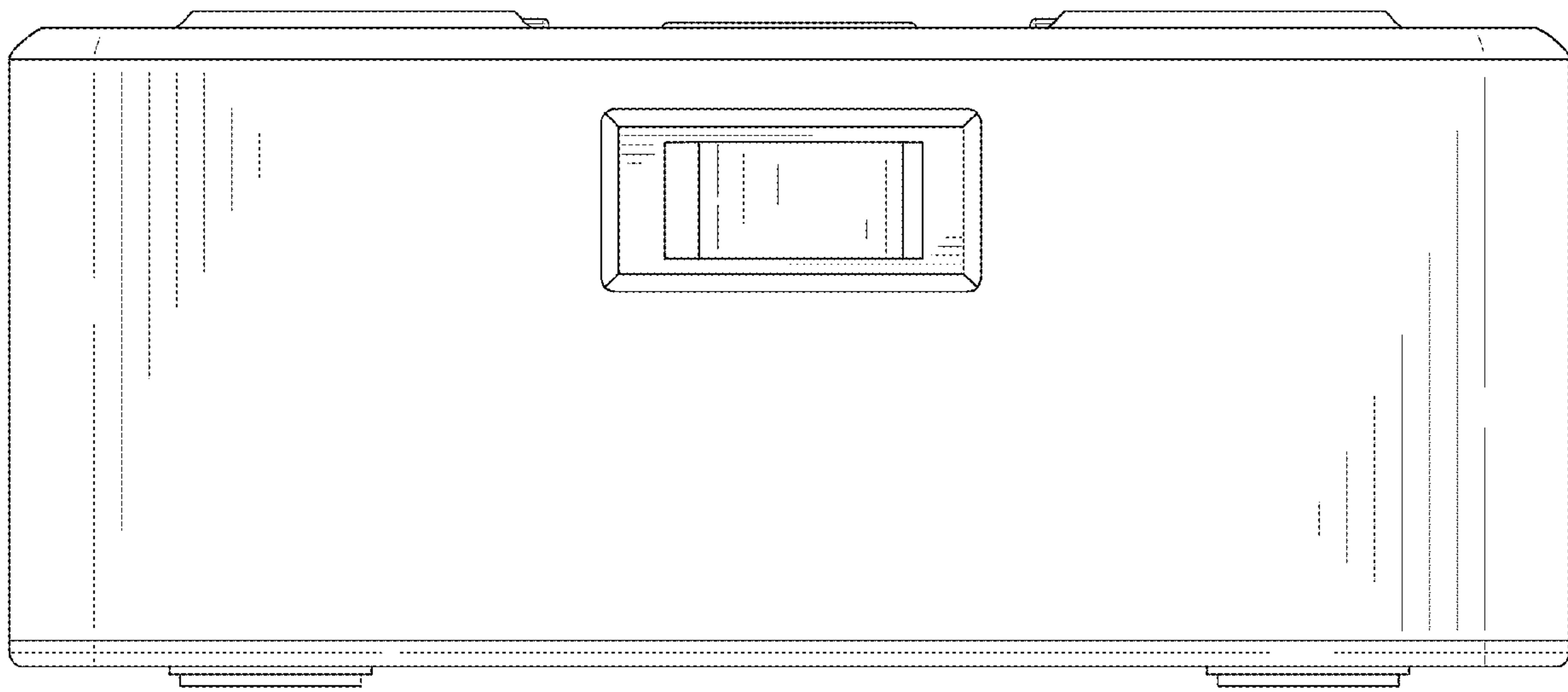


FIG. 4

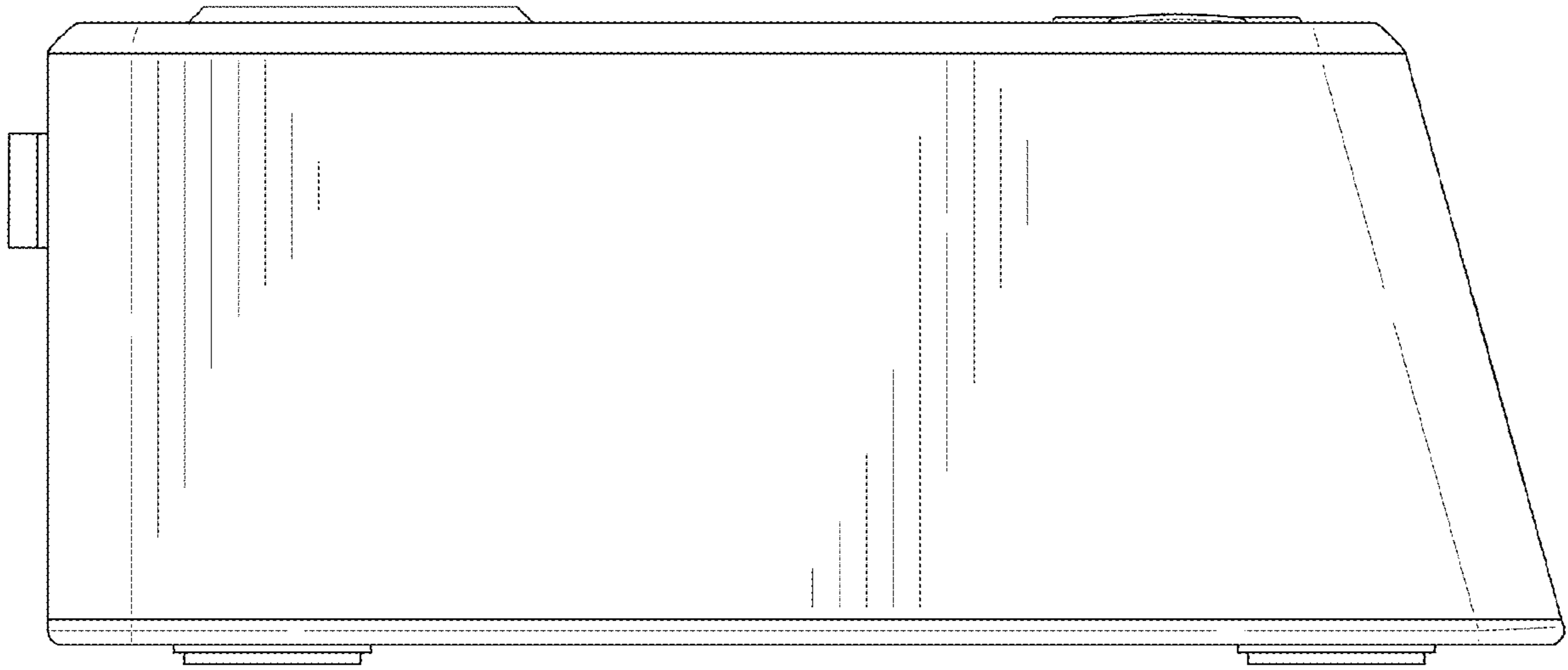


FIG. 5

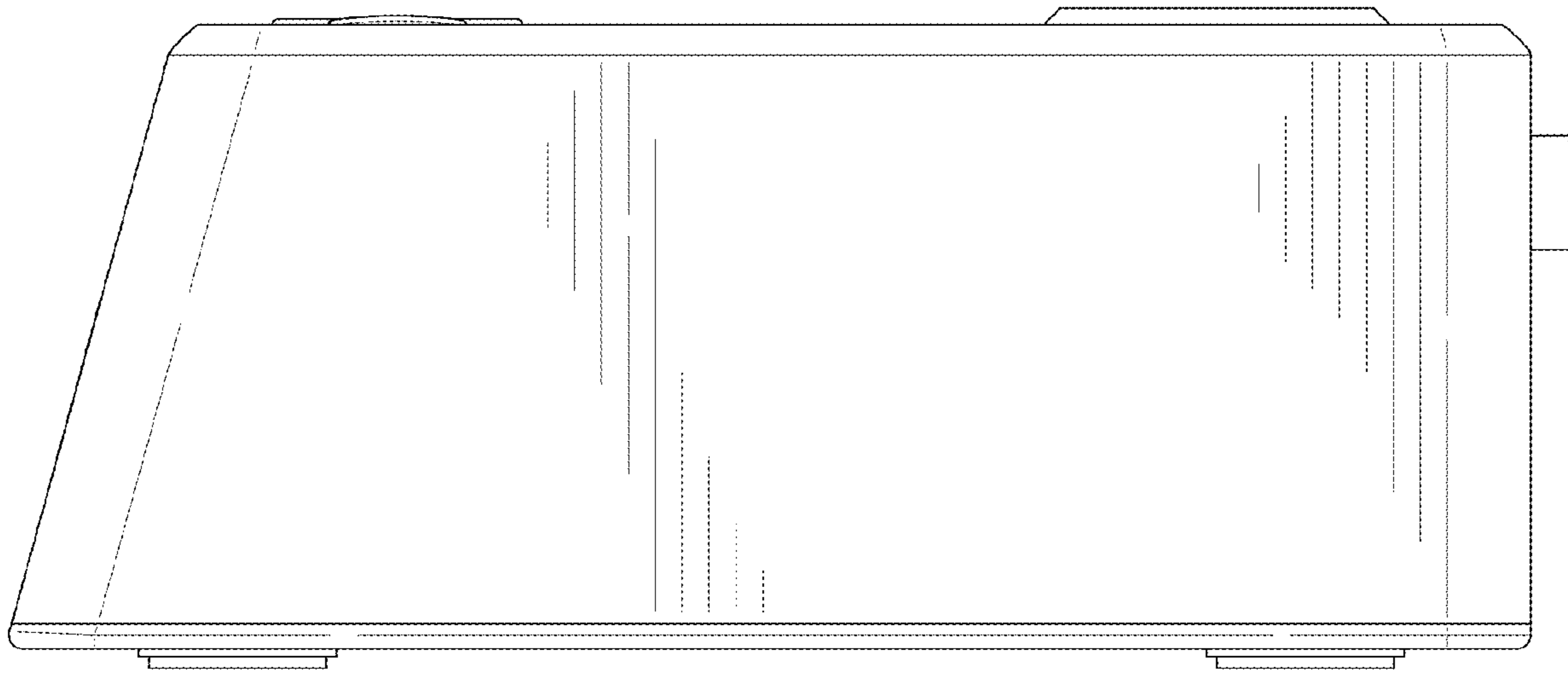


FIG. 6

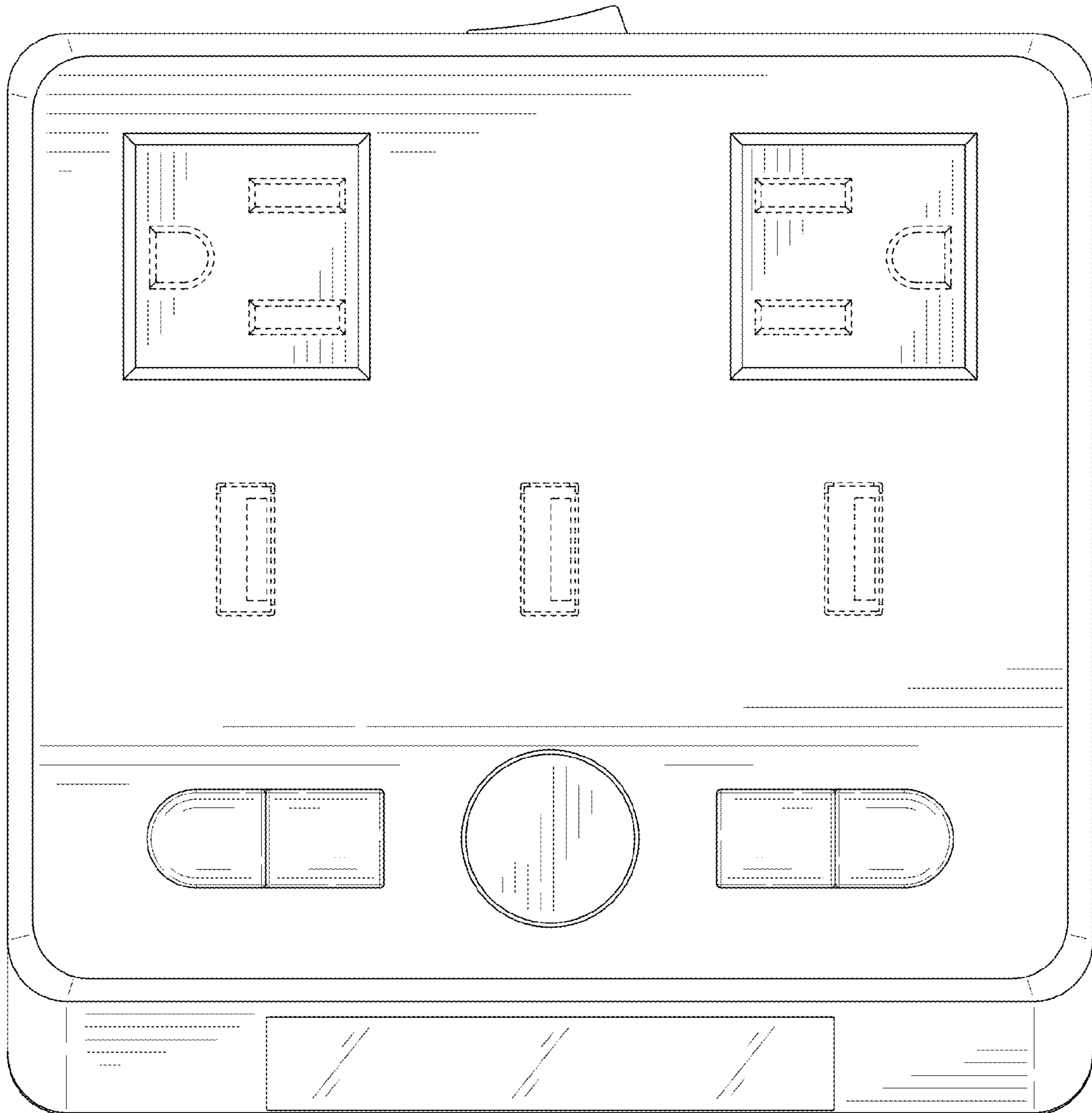


FIG. 7



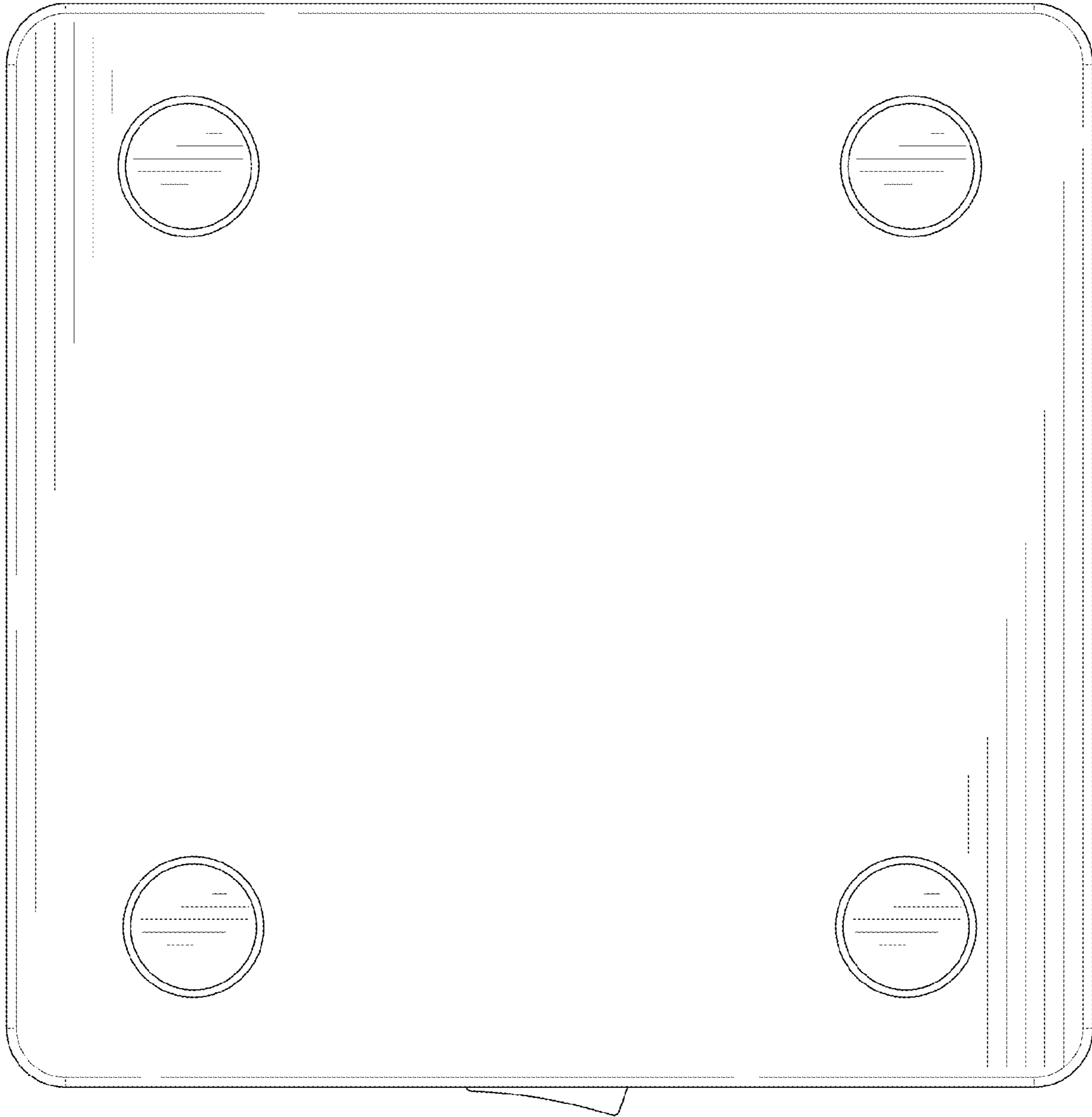


FIG. 8