



US00D931570S

(12) **United States Design Patent**  
**Piispanen**

(10) **Patent No.:** **US D931,570 S**

(45) **Date of Patent:** **\*\* Sep. 21, 2021**

(54) **CHAIN HOIST**

(71) Applicant: **Konecranes Global Corporation,**  
Hyvinkää (FI)

(72) Inventor: **Tatu Piispanen,** Hyvinkää (FI)

(73) Assignee: **KONECRANES GLOBAL**  
**CORPORATION,** Hyvinkää (FI)

(\*\*) Term: **15 Years**

(21) Appl. No.: **29/728,063**

(22) Filed: **Mar. 16, 2020**

(30) **Foreign Application Priority Data**

Sep. 16, 2019 (EM) ..... 006877155

(51) **LOC (13) Cl.** ..... **12-05**

(52) **U.S. Cl.**  
USPC ..... **D34/33**

(58) **Field of Classification Search**

USPC ..... D34/33  
CPC ... B66D 1/14; B66D 1/38; B66D 1/28; B66D  
1/04; B66D 1/22; B66D 1/39; B66D  
1/7405; B66D 1/00; B66D 1/08; B66D  
1/26; B66D 1/36; B66D 1/505; B66D  
1/7484

See application file for complete search history.

(56) **References Cited**

**U.S. PATENT DOCUMENTS**

D674,163 S \* 1/2013 Tarkiainen ..... D34/33  
D677,853 S \* 3/2013 Gans ..... D34/33

D679,474 S \* 4/2013 Beussart ..... D34/33  
D705,515 S \* 5/2014 Bernard ..... D34/33  
D706,514 S \* 6/2014 Weingartner ..... D34/33  
D819,922 S \* 6/2018 Bernard ..... D34/33  
D820,550 S \* 6/2018 Bernard ..... D34/33  
D874,782 S \* 2/2020 Detering ..... D34/33

\* cited by examiner

*Primary Examiner* — Cynthia Ramirez

(74) *Attorney, Agent, or Firm* — Leason Ellis LLP

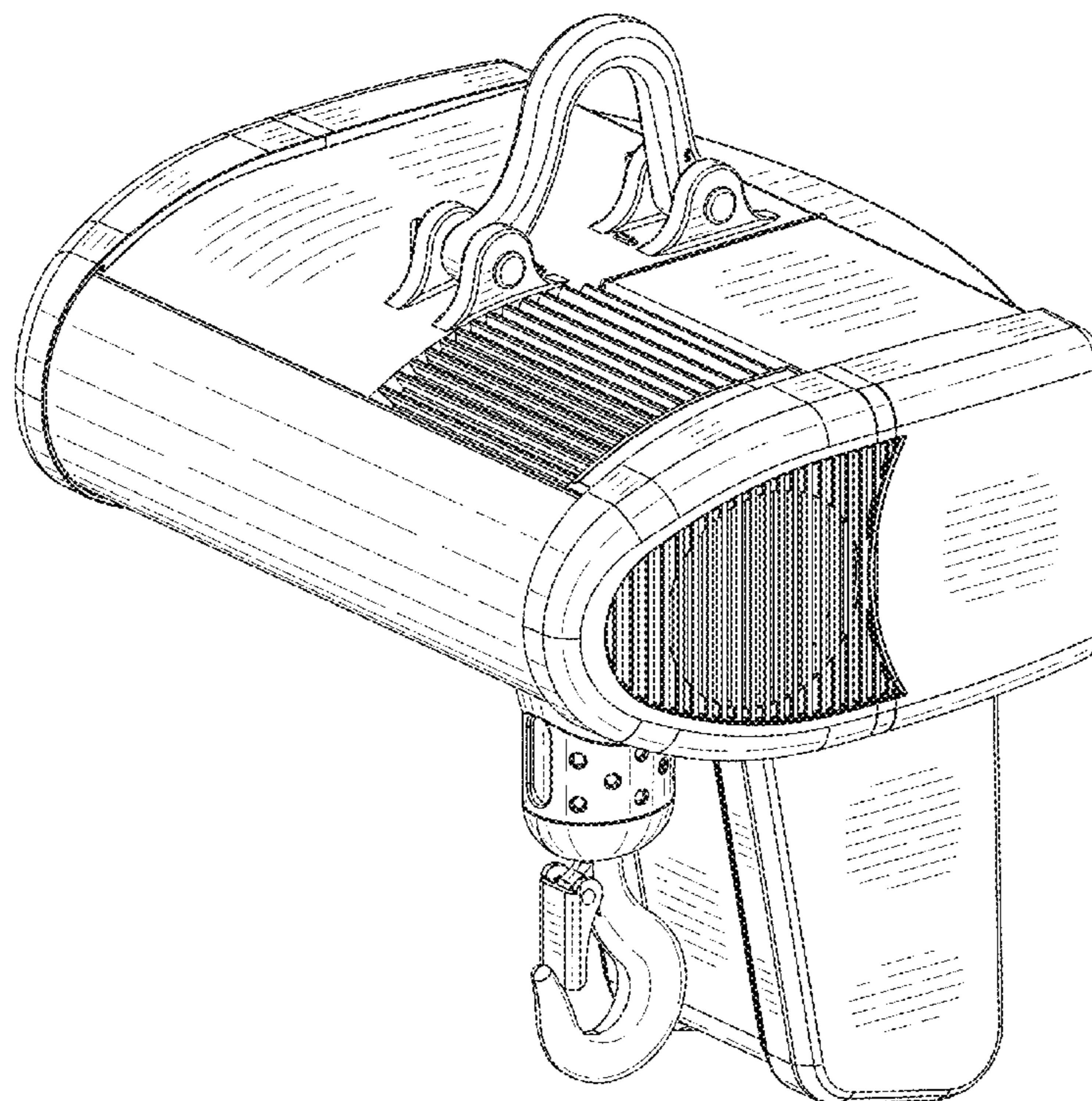
(57) **CLAIM**

The ornamental design for a chain hoist, as shown and described.

**DESCRIPTION**

FIG. 1 is a left-side perspective view of my chain hoist according to my new design;  
FIG. 2 is a front view thereof;  
FIG. 3 is a rear view thereof;  
FIG. 4 is a left-side view thereof;  
FIG. 5 is a right-side view thereof;  
FIG. 6 is a bottom plan view thereof;  
FIG. 7 is a top plan view thereof; and,  
FIG. 8 is a right-side perspective view thereof.  
The broken lines in the figures show portions of the chain hoist, which form no part of the claimed design.

**1 Claim, 8 Drawing Sheets**



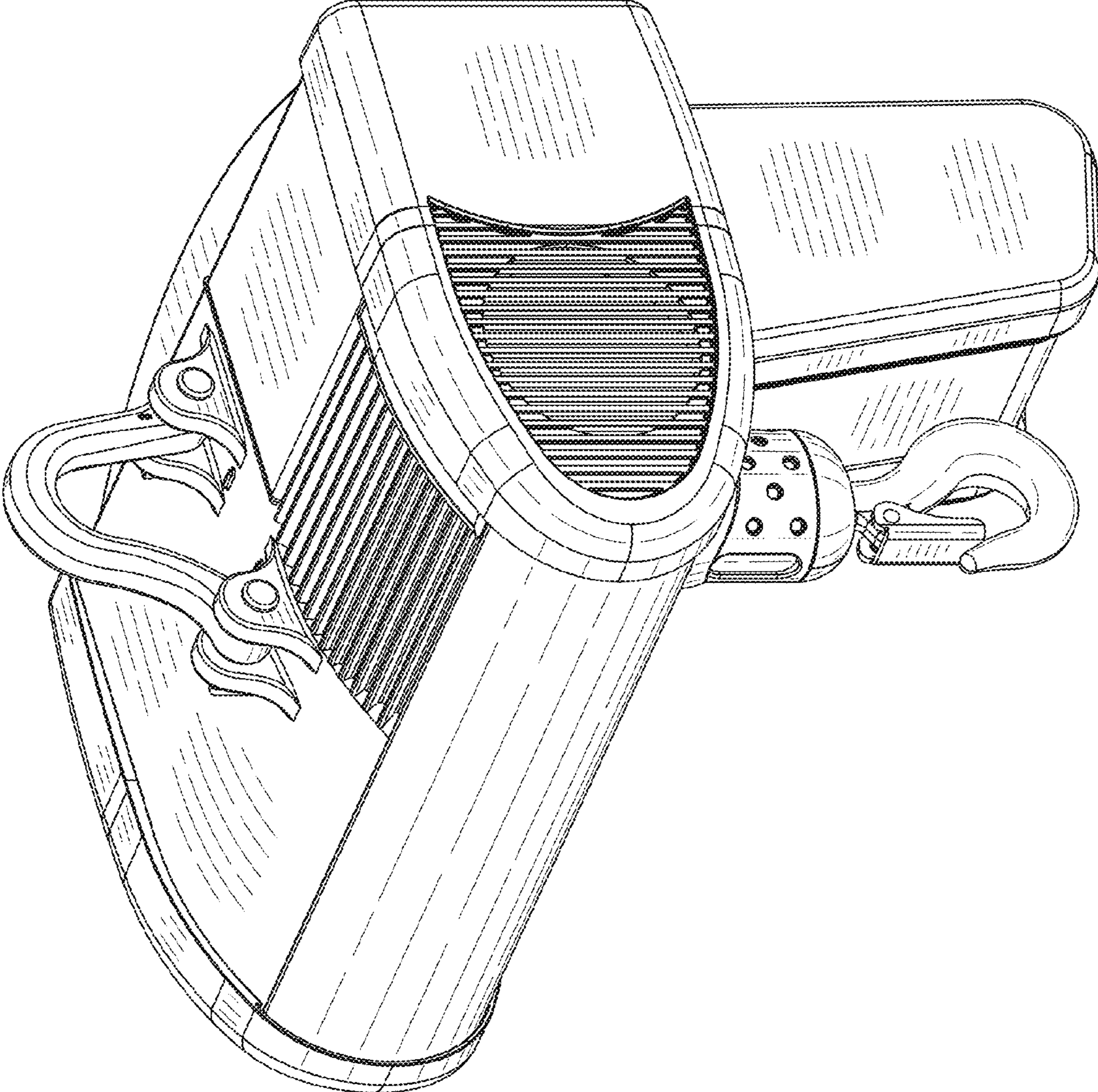


Fig. 1



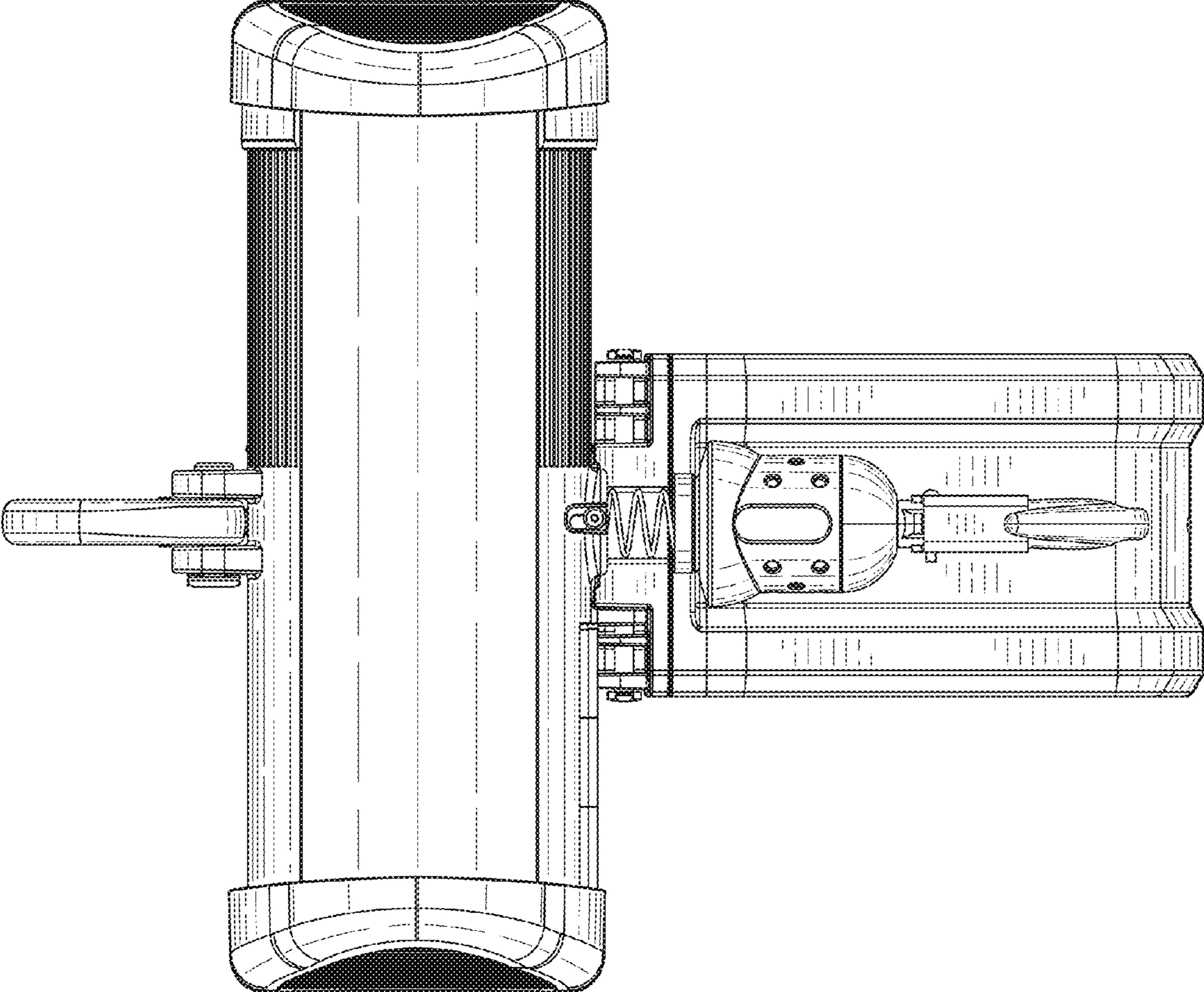


Fig. 2

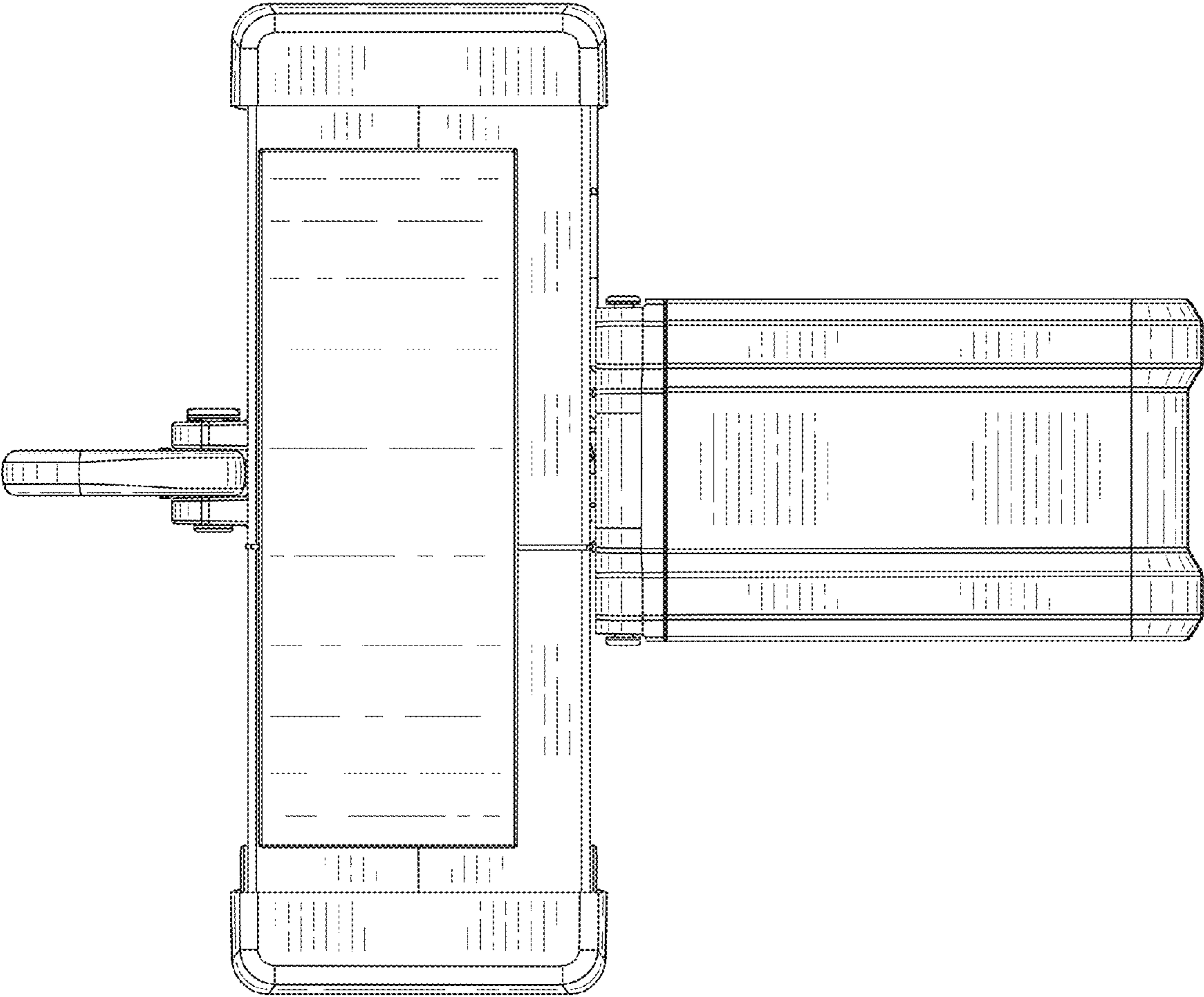


Fig. 3

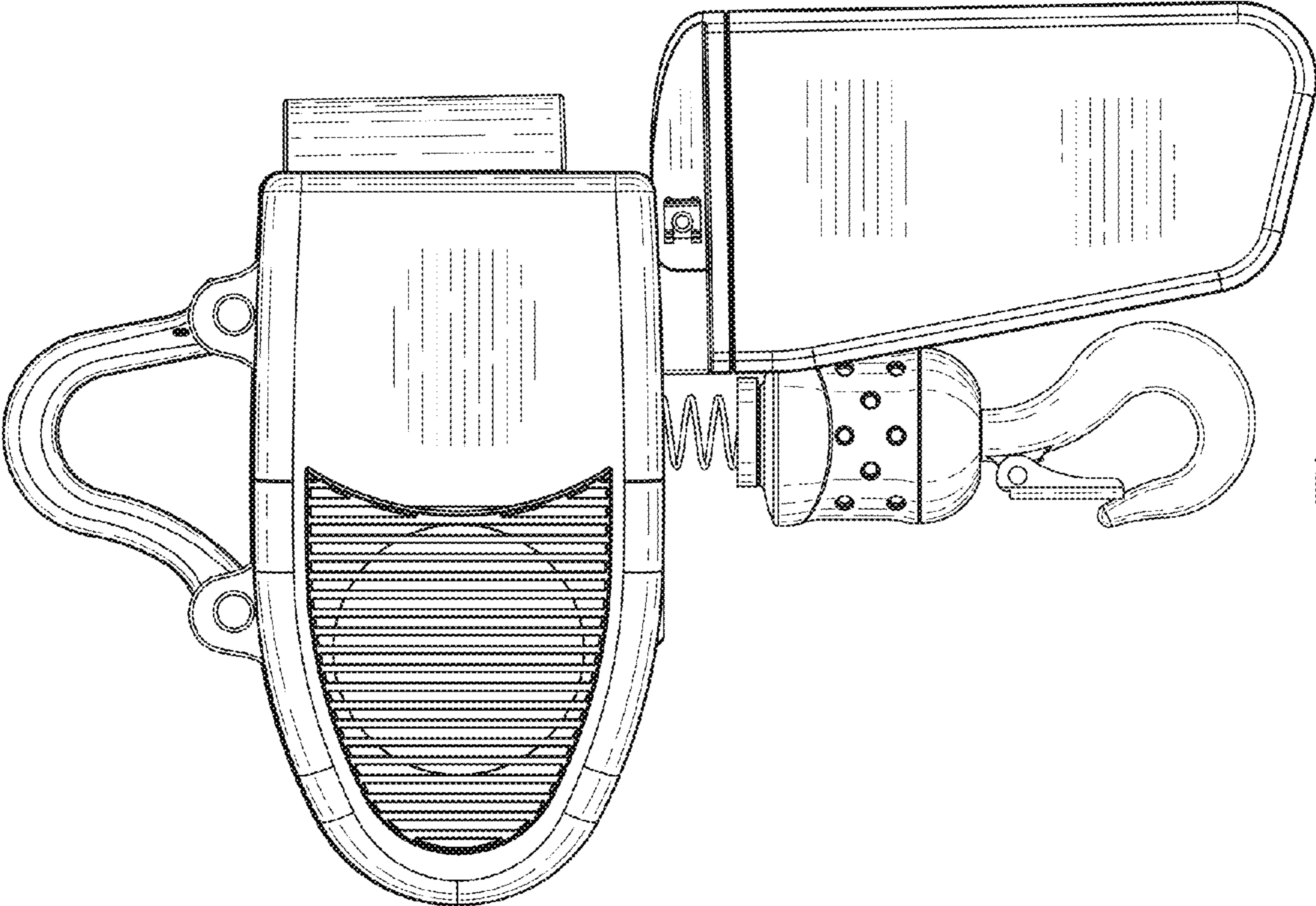


Fig. 4

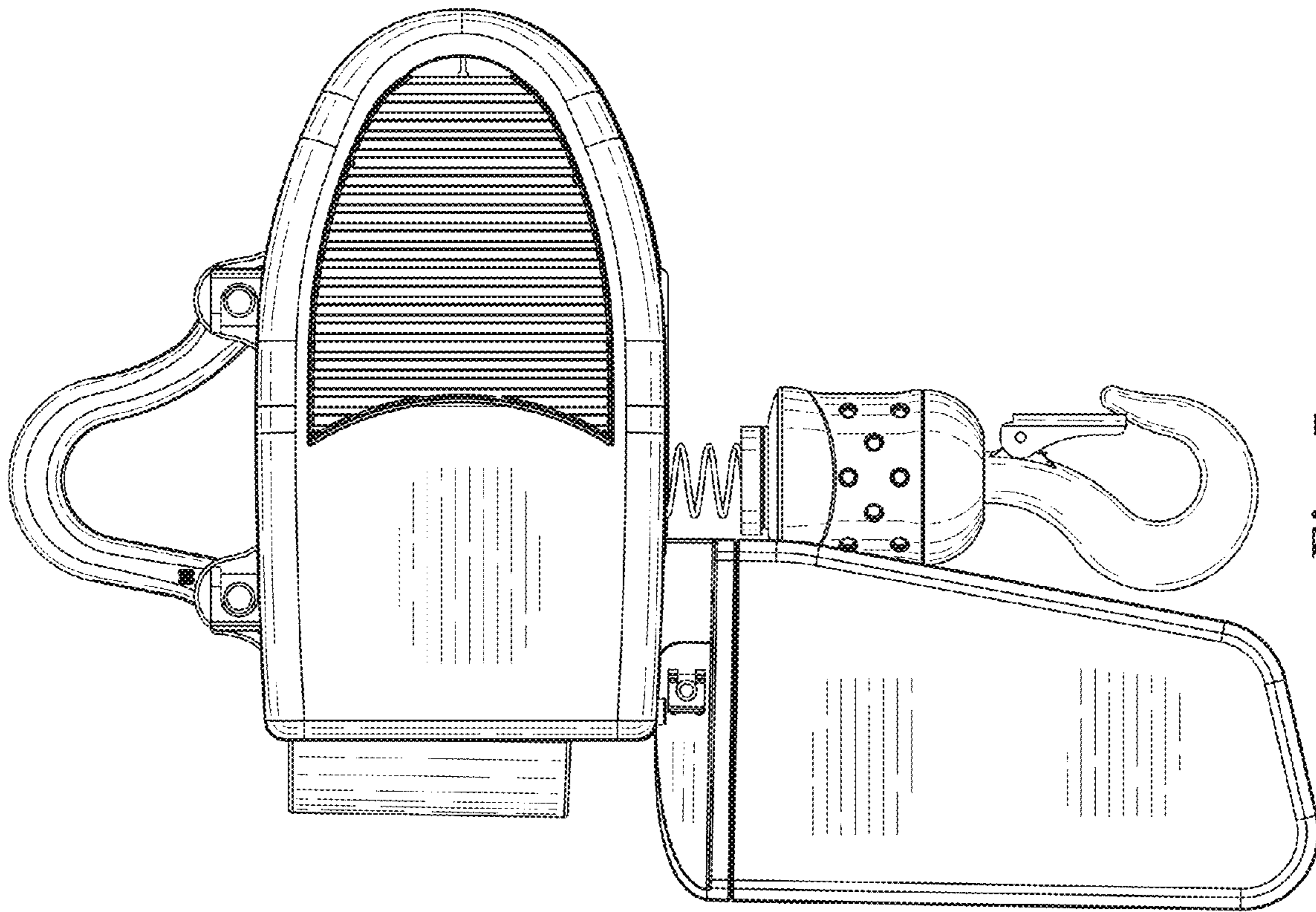


Fig. 5



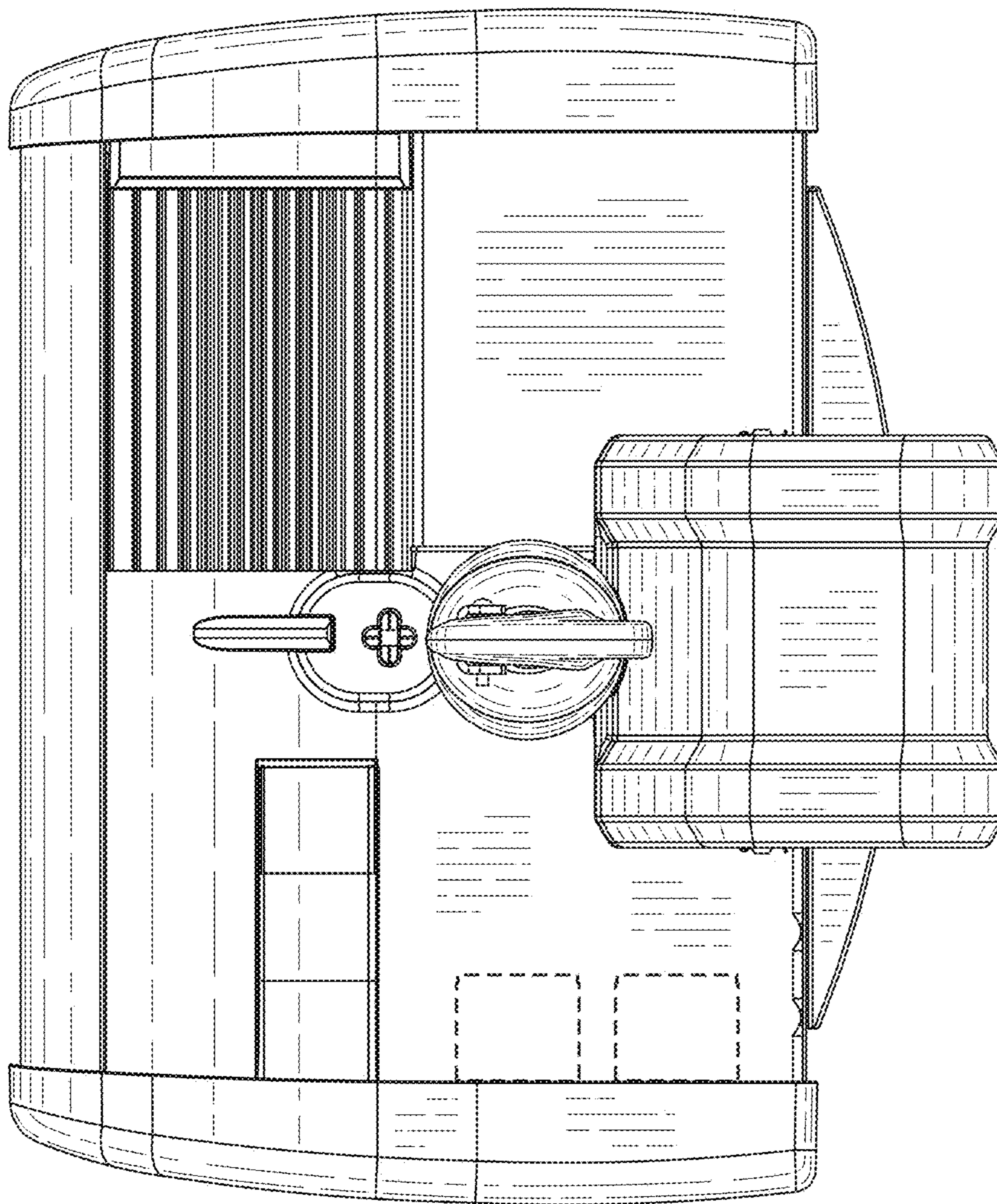


Fig. 6

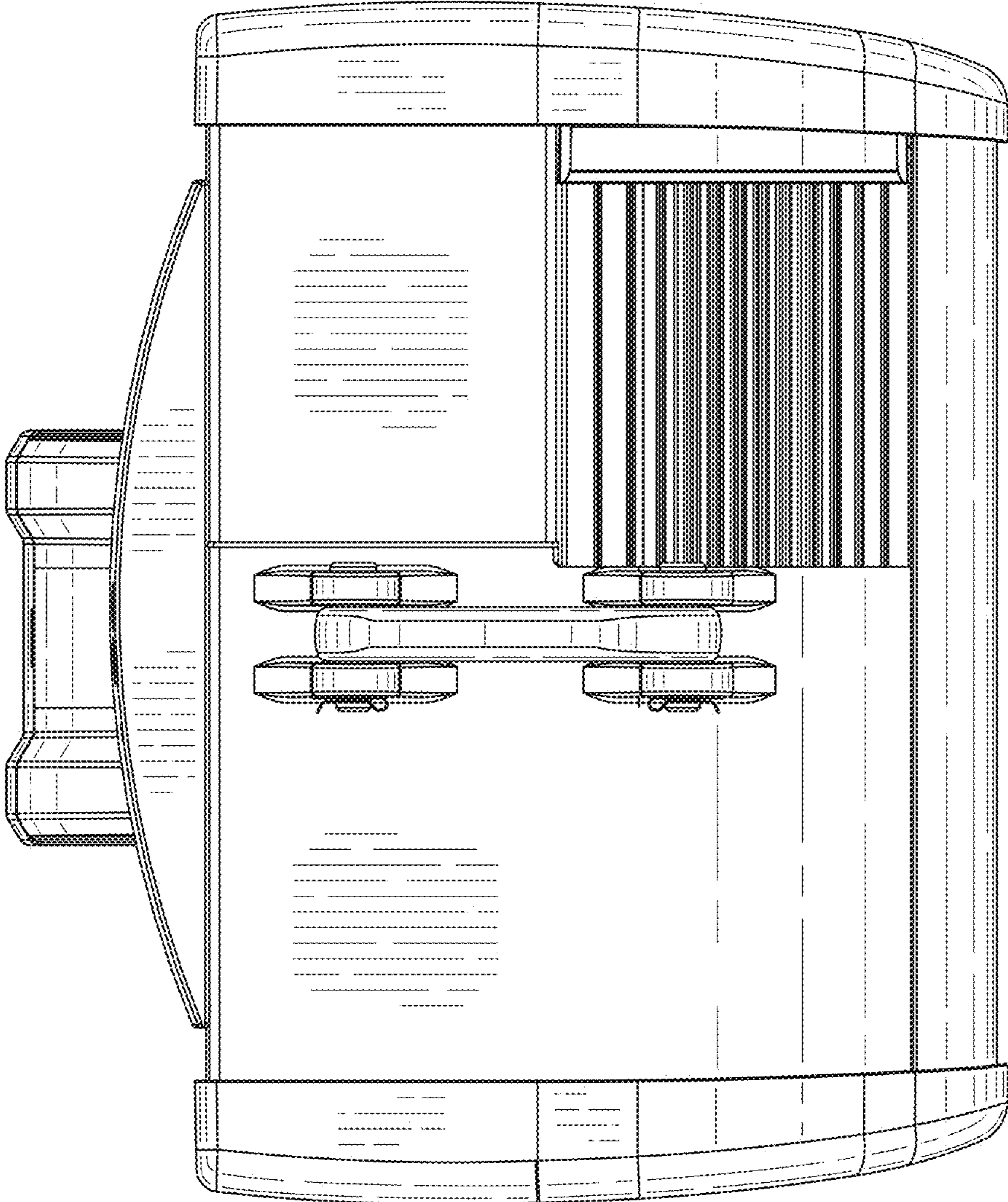


Fig. 7



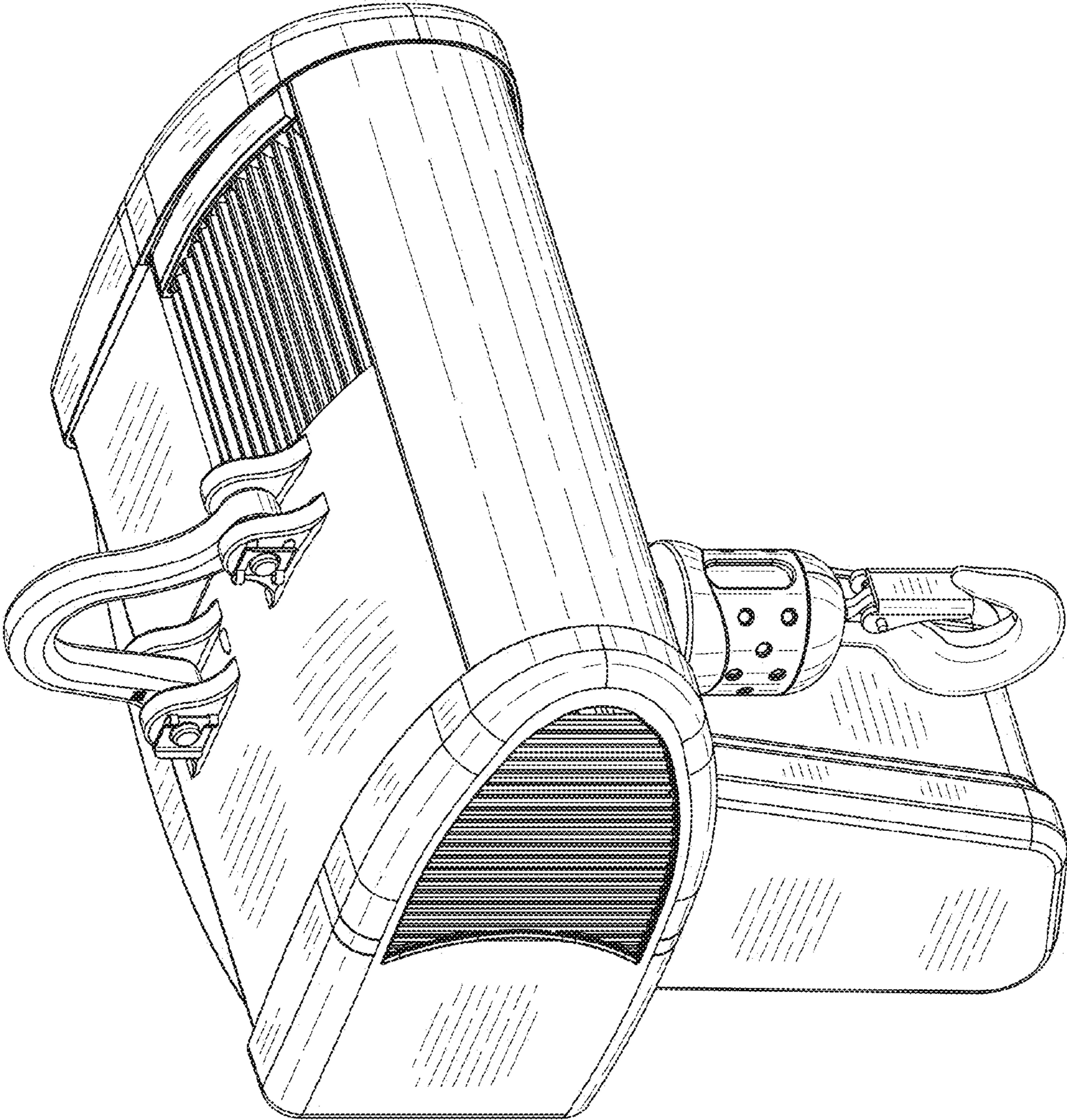


Fig. 8