

US00D931568S

(12) **United States Design Patent**
Padgett

(10) **Patent No.:** **US D931,568 S**

(45) **Date of Patent:** **** *Sep. 21, 2021**

- (54) **DISH DRYING RACK**
- (71) Applicant: **Shawn Padgett**, Houma, LA (US)
- (72) Inventor: **Shawn Padgett**, Houma, LA (US)
- (*) Notice: This patent is subject to a terminal disclaimer.
- (**) Term: **15 Years**
- (21) Appl. No.: **29/720,273**
- (22) Filed: **Jan. 10, 2020**
- (51) **LOC (13) Cl.** **07-05**
- (52) **U.S. Cl.**
USPC **D32/55**
- (58) **Field of Classification Search**
USPC D32/55, 276, 3; D6/510, 525; D30/133;
211/41.5, 41.4, 41.3, 41.8; 361/679.4;
312/311, 333, 334.4; D7/354, 629
CPC A47J 47/20; A47J 2201/00; A47J 47/00;
B65D 35/02; B65D 35/22; B65D 35/56
See application file for complete search history.

- D724,357 S * 3/2015 Lim A47B 47/047
D6/675.1
- D731,212 S * 6/2015 Hsu D6/675.2
- D862,822 S * 10/2019 Zhao D32/55
- D862,823 S * 10/2019 Zhao D32/55
- D882,199 S * 4/2020 Cao D32/55
- D903,216 S * 11/2020 Xie D32/55
- 2002/0179551 A1 12/2002 Madela
- 2008/0185352 A1 8/2008 O'Hara
- 2012/0138550 A1 6/2012 Wisniewski
- 2014/0332479 A1 11/2014 Audet et al.

* cited by examiner

Primary Examiner — Austin Murphy

(74) *Attorney, Agent, or Firm* — Volta Law Group, LLC

(57) **CLAIM**

The ornamental design for a dish drying rack, as shown.

DESCRIPTION

FIG. 1 is a front perspective view of the dish drying rack of the invention.

FIG. 2 is a front elevational view of the dish drying rack of the invention.

FIG. 3 is a rear elevational of the dish drying rack of the invention.

FIG. 4 is a top plan view of the dish drying rack of the invention.

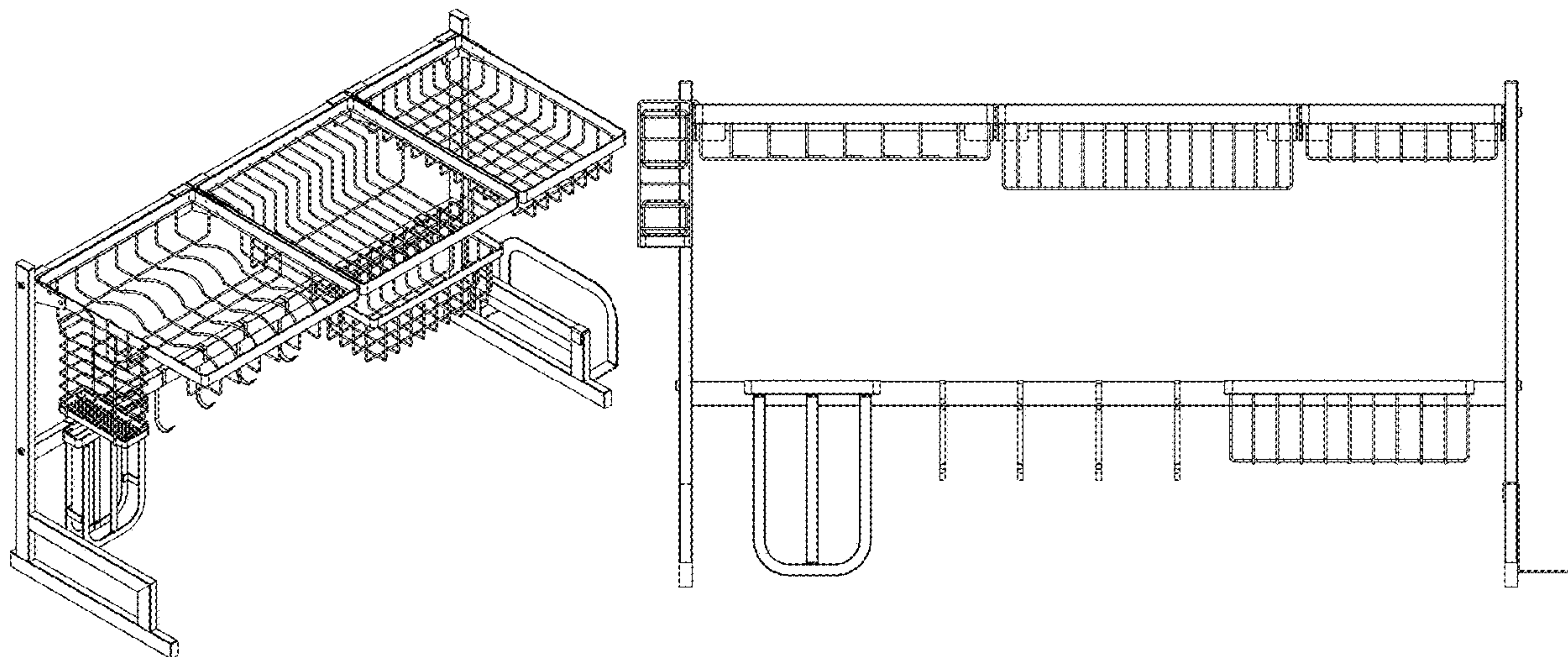
FIG. 5 is a bottom plan view of the dish drying rack of the invention.

FIG. 6 is a right side elevational view of the dish drying rack of the invention; and,

FIG. 7 is a left side elevational view of the dish drying rack of the invention.

1 Claim, 7 Drawing Sheets

- (56) **References Cited**
U.S. PATENT DOCUMENTS
- 2,936,898 A 5/1860 Miguez
- 3,269,548 A 8/1966 Geiger et al.
- 3,800,957 A 4/1974 Krause
- D326,946 S * 6/1992 Szuster D3/306
- 5,119,943 A 6/1992 Hoang
- 5,158,184 A 10/1992 Craft et al.
- D630,397 S * 1/2011 Molayem D32/55



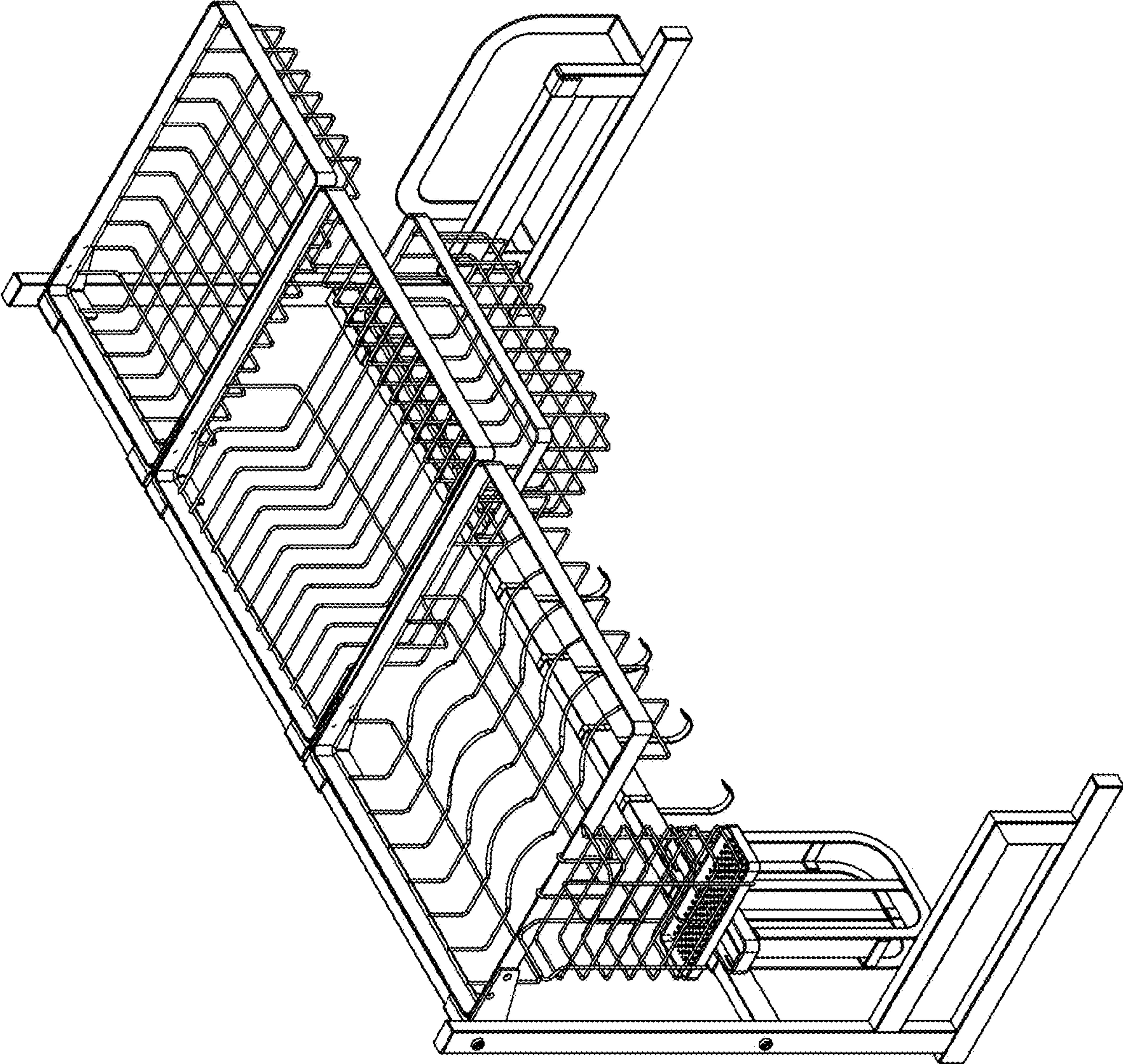


FIG. 1

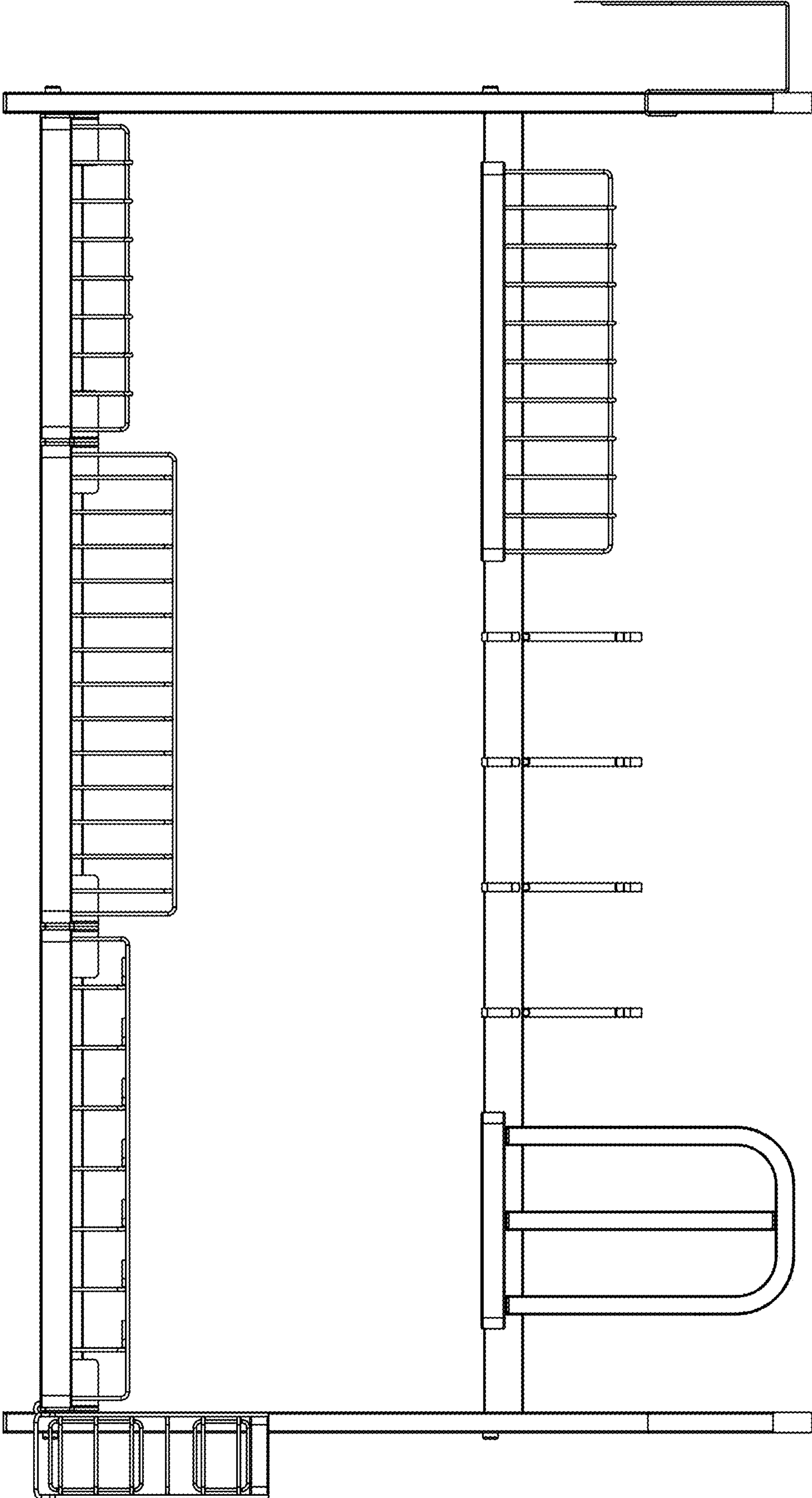


FIG. 2

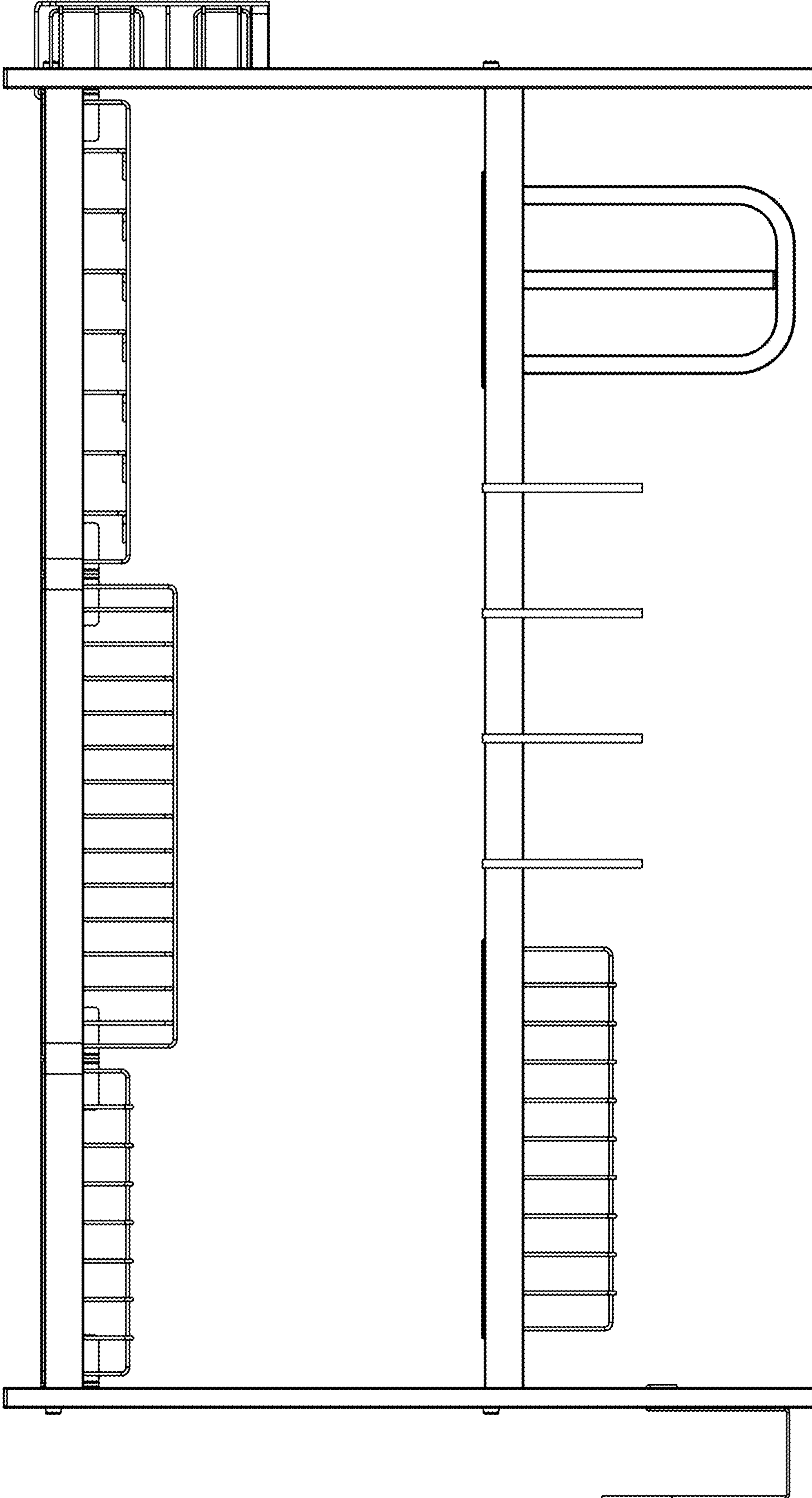


FIG. 3

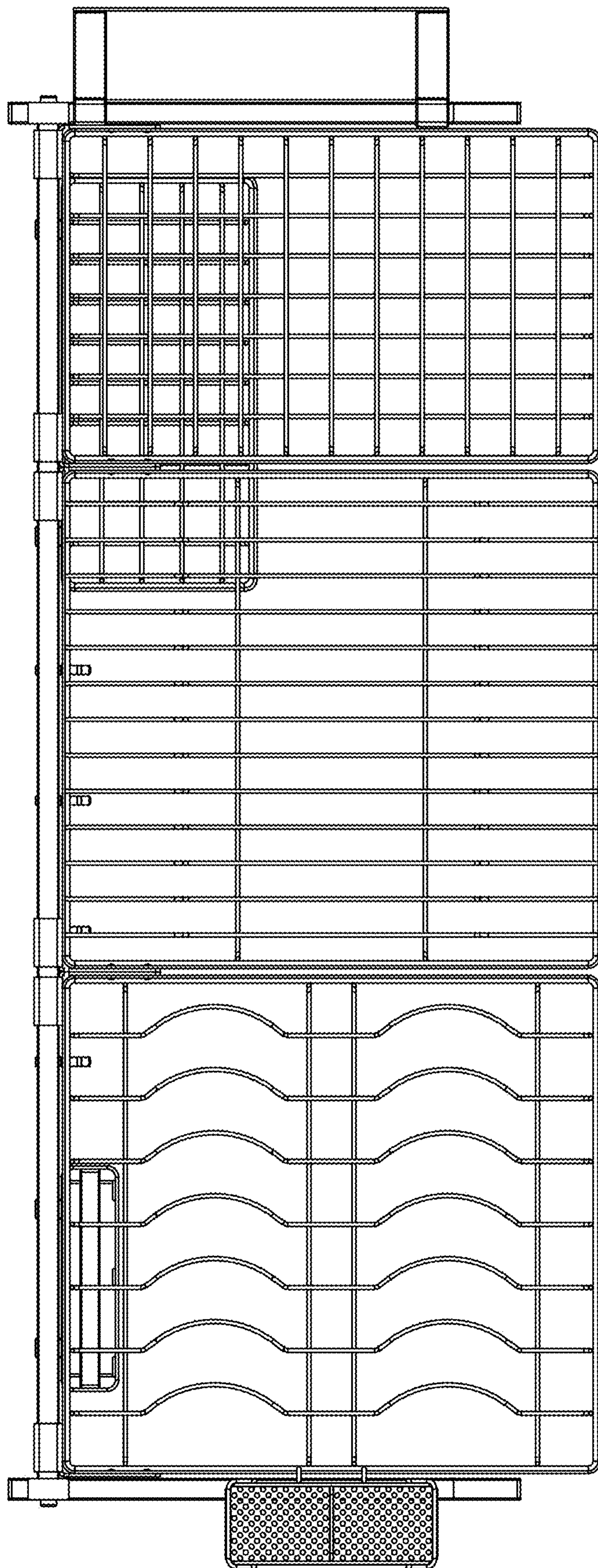


FIG. 4

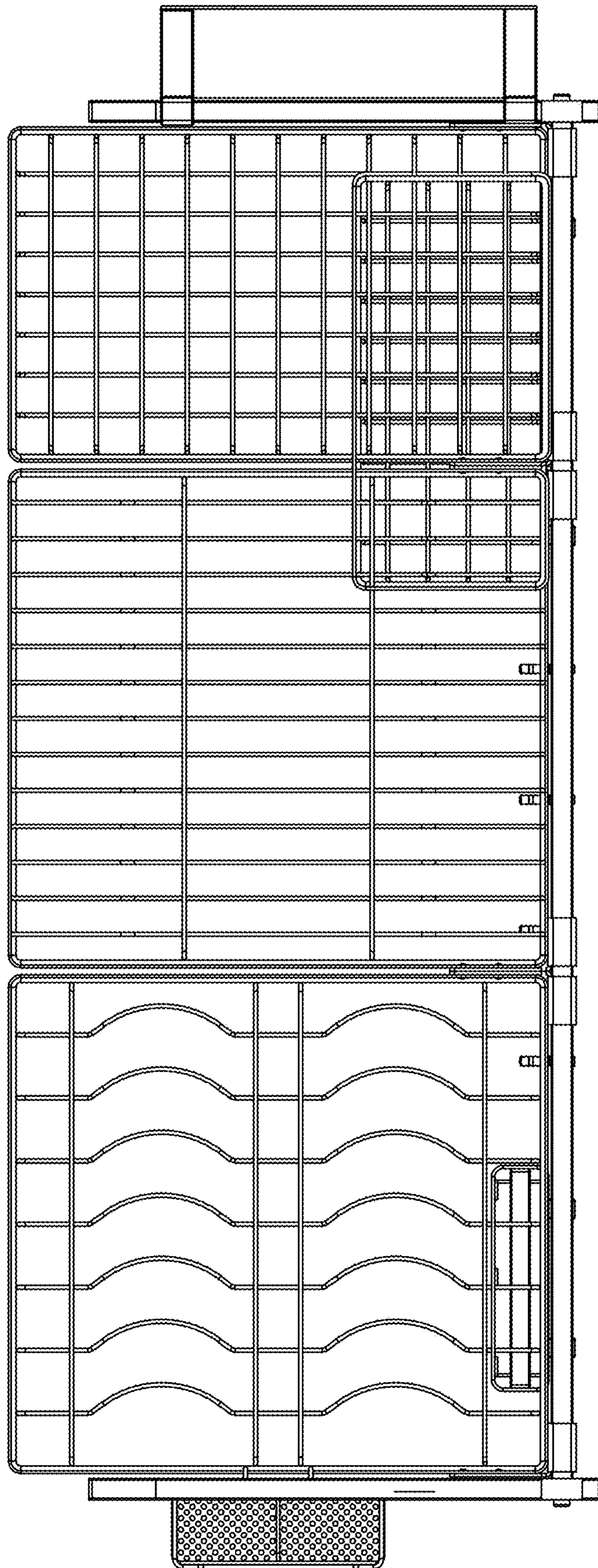


FIG. 5

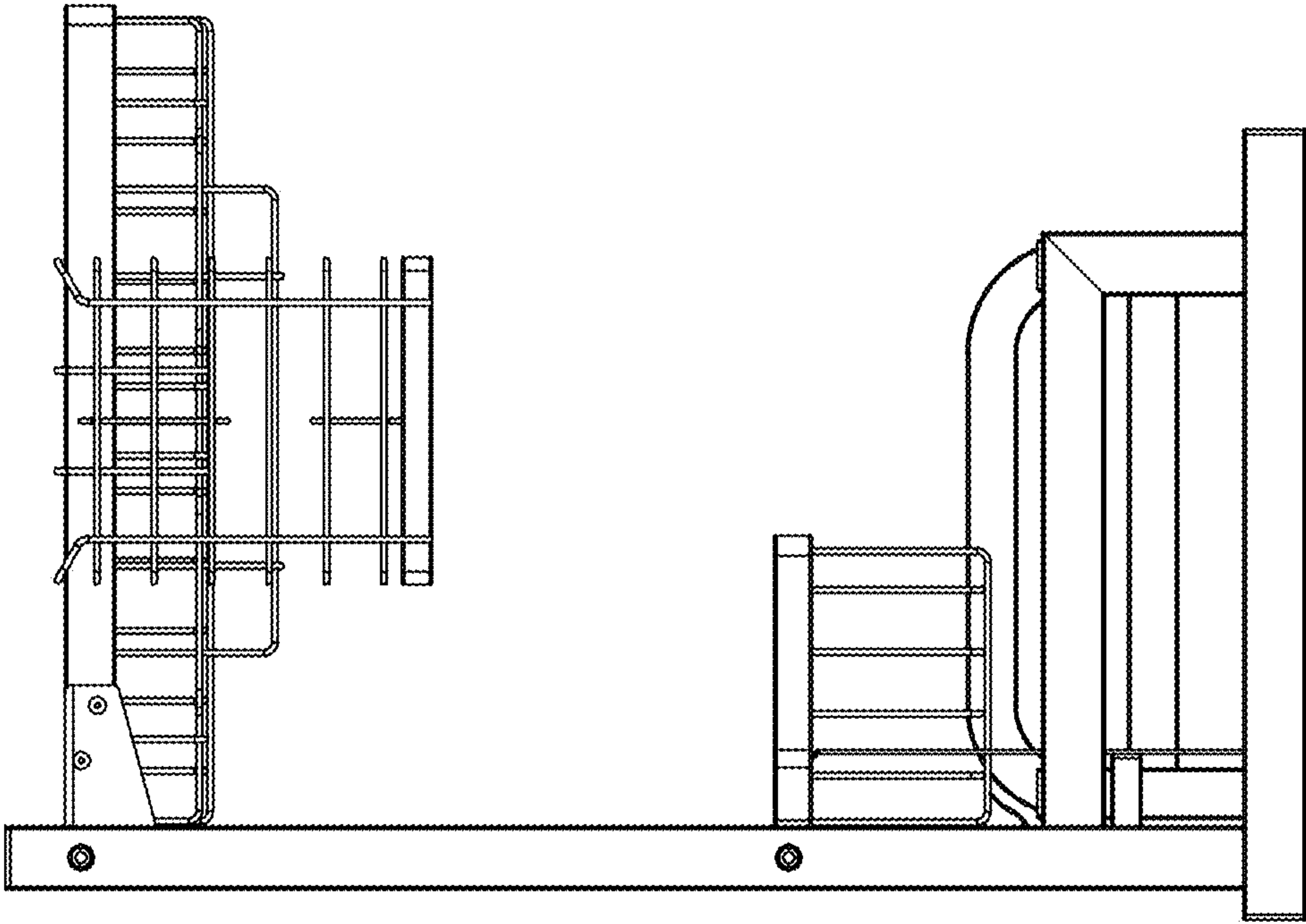


FIG. 6

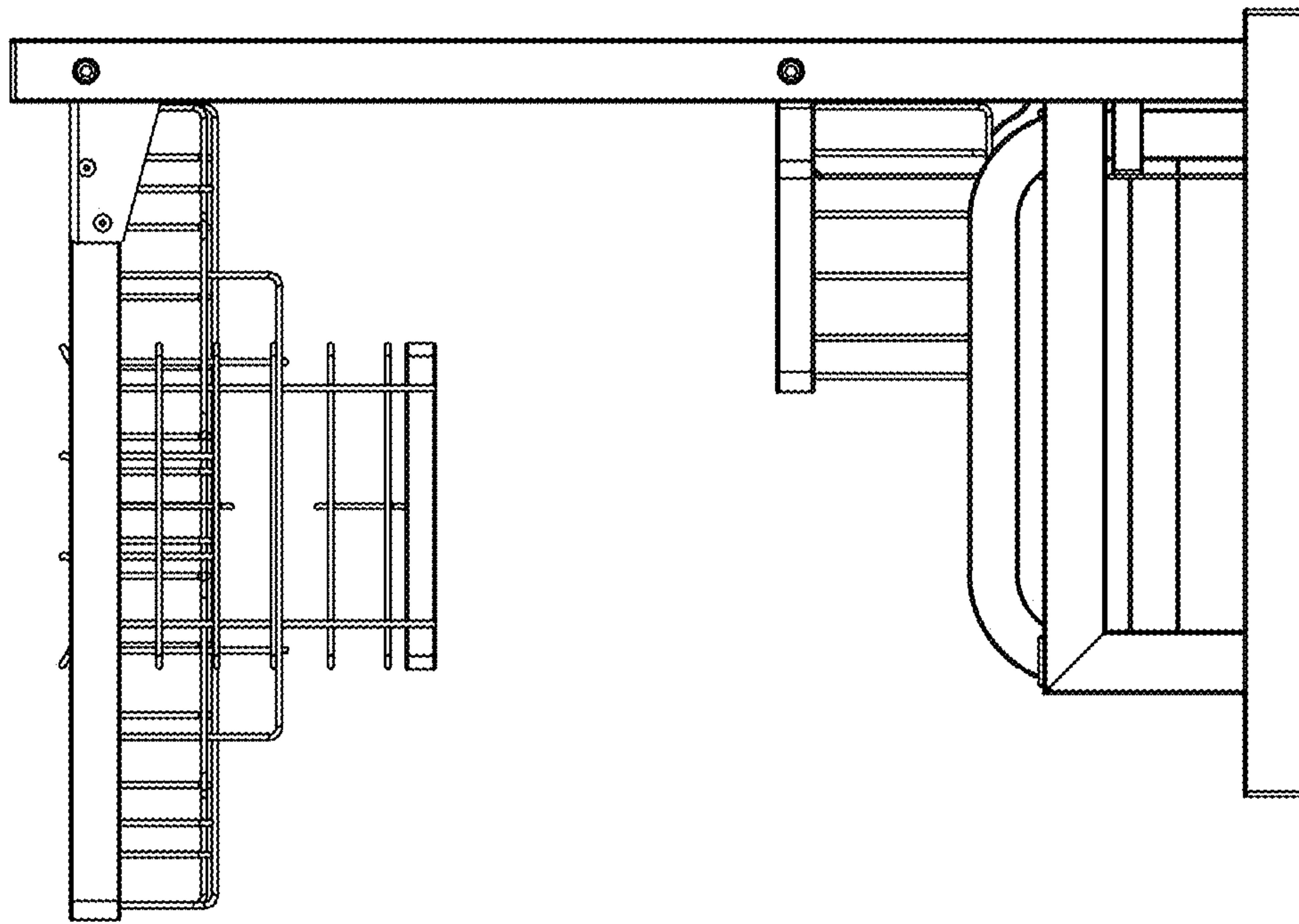


FIG. 7