



US00D931567S

(12) **United States Design Patent** (10) **Patent No.:** **US D931,567 S**
Libman et al. (45) **Date of Patent:** **** Sep. 21, 2021**

(54) **CLEANING IMPLEMENT**
(71) Applicant: **The Libman Company**, Arcola, IL (US)
(72) Inventors: **Aaron Libman**, Champaign, IL (US); **Robert J. Libman**, Arcola, IL (US); **Roberto Pellacini**, Torrechiaro Langhirano (IT)
(73) Assignee: **The Libman Company**, Arcola, IL (US)
(**) Term: **15 Years**
(21) Appl. No.: **29/727,919**
(22) Filed: **Mar. 13, 2020**
(51) **LOC (13) Cl.** **07-05**
(52) **U.S. Cl.**
USPC **D32/50**
(58) **Field of Classification Search**
USPC D4/137-138, 116-119, 127-128, 199; D32/45, 50-52; D14/230
CPC A47L 17/04; A47L 17/00; A47L 13/16; A47L 13/17; A47L 13/50; A47L 13/20; A47L 13/00; A47L 13/12
See application file for complete search history.

(56) **References Cited**
U.S. PATENT DOCUMENTS
D414,342 S 9/1999 Ancona et al.
D417,789 S * 12/1999 Murphy D4/102
D427,774 S * 7/2000 Jackson D4/116
D514,328 S * 2/2006 Huang D24/211
D520,698 S 5/2006 Libman et al.
D532,204 S * 11/2006 Huller D4/127
D539,544 S * 4/2007 Rosa D4/102
D544,161 S 6/2007 Weaver
7,225,495 B2 * 6/2007 Berti A46B 15/0081
15/115
7,260,864 B1 * 8/2007 Morad A47L 13/12
15/115

7,334,285 B1 * 2/2008 Morad A46B 7/04
15/115
7,363,675 B2 * 4/2008 Gavney, Jr. A46B 9/005
15/110
D588,816 S * 3/2009 Hughes, IV D4/121
(Continued)

FOREIGN PATENT DOCUMENTS

CN 305547962 * 1/2020

OTHER PUBLICATIONS

Libman Wonder Mop Twist Mop Lowes.com review 2013, https://www.lowes.com/pd/Libman-Wonder-Twist-Mop/10023697cm_mmc=shp_-c_-prd_-lwn_-google_-lia... site visited Jan. 30, 2021.*

(Continued)

Primary Examiner — John R Yeh
(74) *Attorney, Agent, or Firm* — Banner & Witcoff, Ltd.

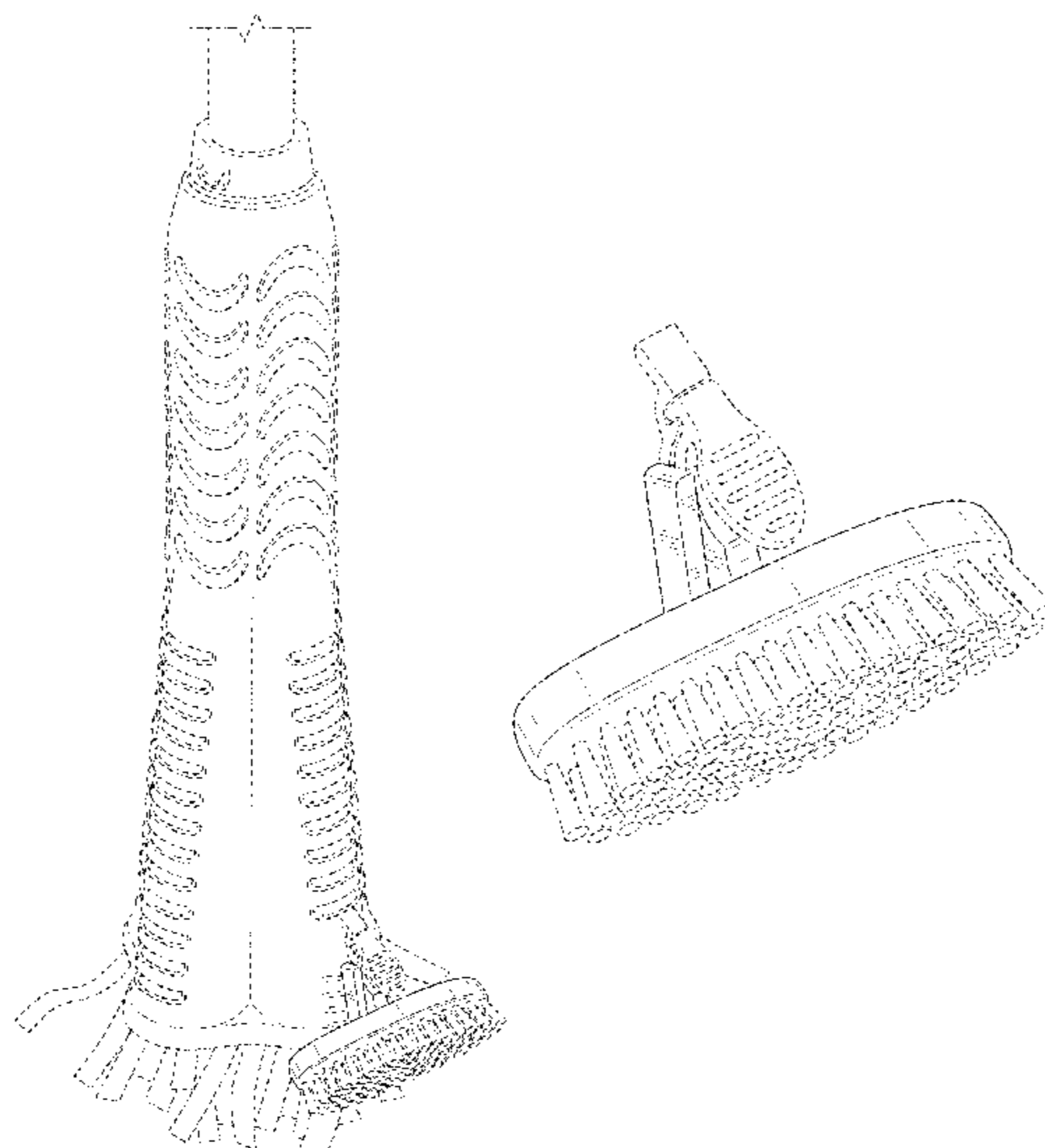
(57) **CLAIM**

The ornamental design for a cleaning implement, as shown and described.

DESCRIPTION

FIG. 1 is a perspective view of the claimed design; FIG. 2 is an alternative enlarged perspective view thereof, wherein some unclaimed subject matter is omitted to enhance clarity; FIG. 3 is a second alternative enlarged perspective view thereof, wherein some unclaimed subject matter is omitted to enhance clarity; FIG. 4 is a side view thereof; FIG. 5 is an opposite side view thereof; and, FIG. 6 is a front view thereof. The broken lines in the figures illustrate portions of the cleaning implement that form no part of the claimed design.

1 Claim, 5 Drawing Sheets



(56)

References Cited

U.S. PATENT DOCUMENTS

D599,969	S	9/2009	Weis	
D606,270	S	12/2009	Weis et al.	
D664,364	S	7/2012	Gold et al.	
D703,956	S *	5/2014	Treeby	D4/116
D706,786	S *	6/2014	Pollex	D14/453
D719,357	S *	12/2014	Li	D4/114
D746,062	S *	12/2015	Pan	D4/127
D787,830	S *	5/2017	Jack	D4/116
D802,307	S *	11/2017	Peterson	D4/127
D834,333	S *	11/2018	Krus	D4/199
D851,407	S *	6/2019	Brown	D4/127
D863,781	S *	10/2019	Matsushita	D4/129
D866,092	S *	11/2019	Liang	D30/158
D889,133	S *	7/2020	Rybacek	D4/116
2006/0064831	A1 *	3/2006	Wells	A46B 15/0081 15/105
2007/0199169	A1 *	8/2007	Vosbikian	A47L 13/12 15/106
2011/0094947	A1	4/2011	Shoham et al.	

OTHER PUBLICATIONS

Libman Nitty Gritty Mop Roller Sponge Mop Lowes.com review
 2018, https://www.lowes.com/pd/Libman-Nitty-Gritty-Mop-Roller-Sponge-Mop/50444968?cm_mmc=shp-_-c-_-prd-_-l... site visited
 Feb. 1, 2021.*

* cited by examiner

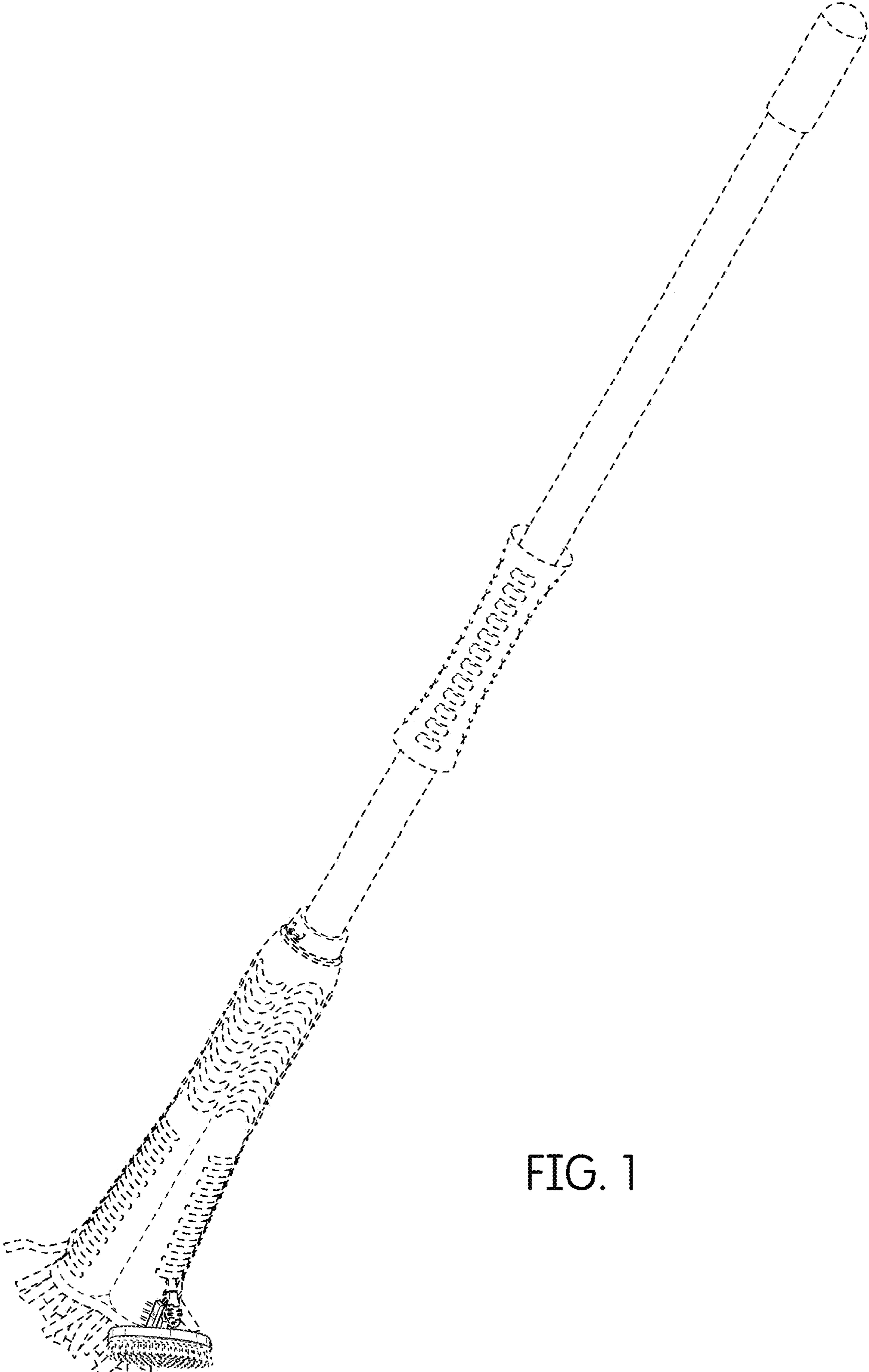


FIG. 1

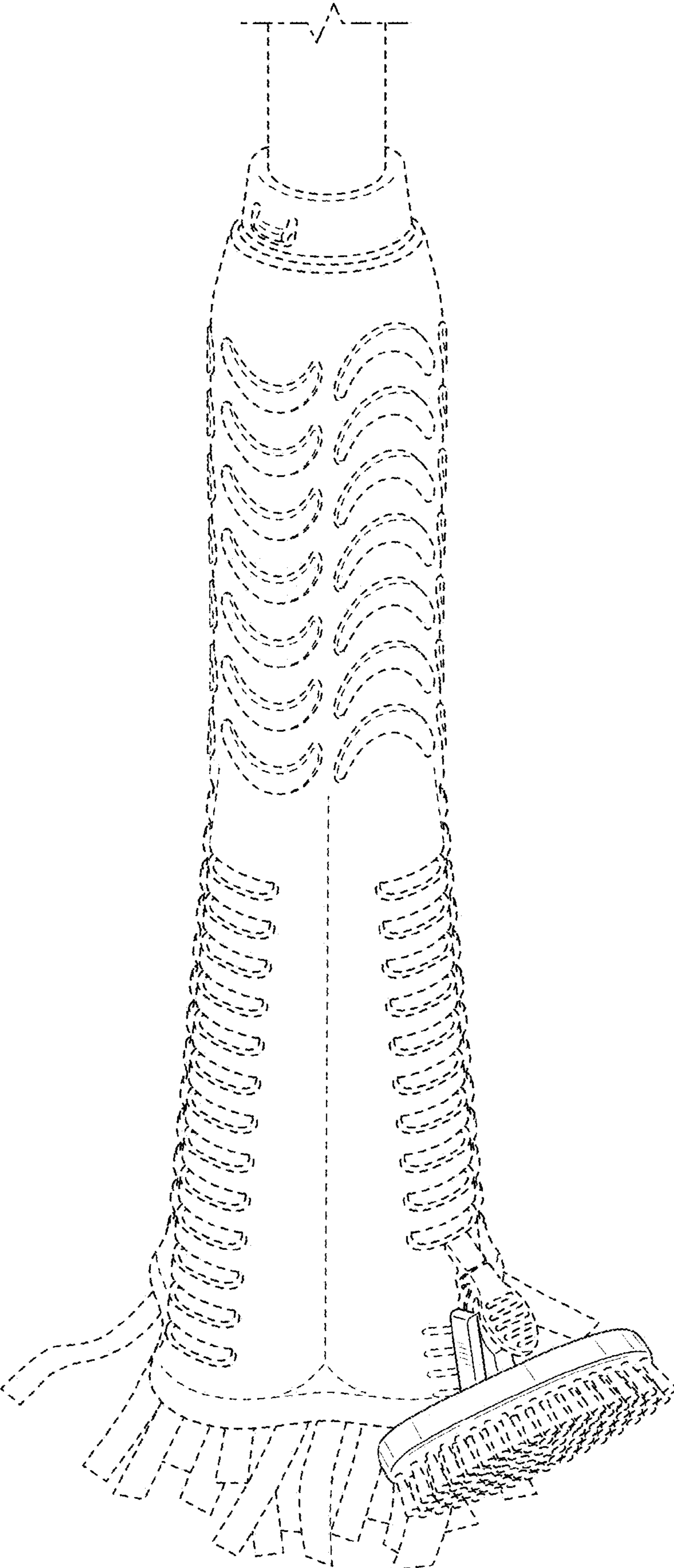


FIG. 2

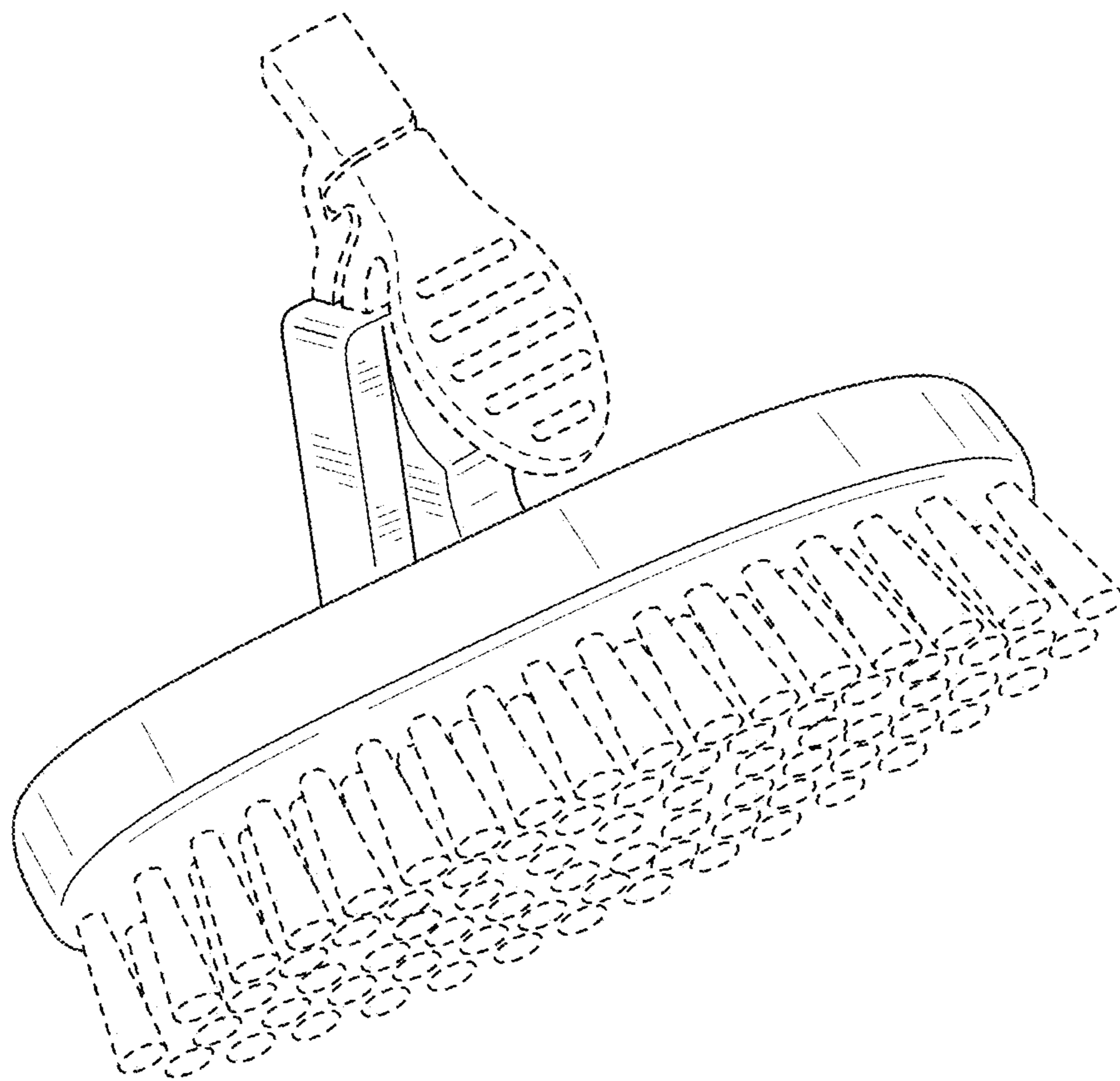


FIG. 3

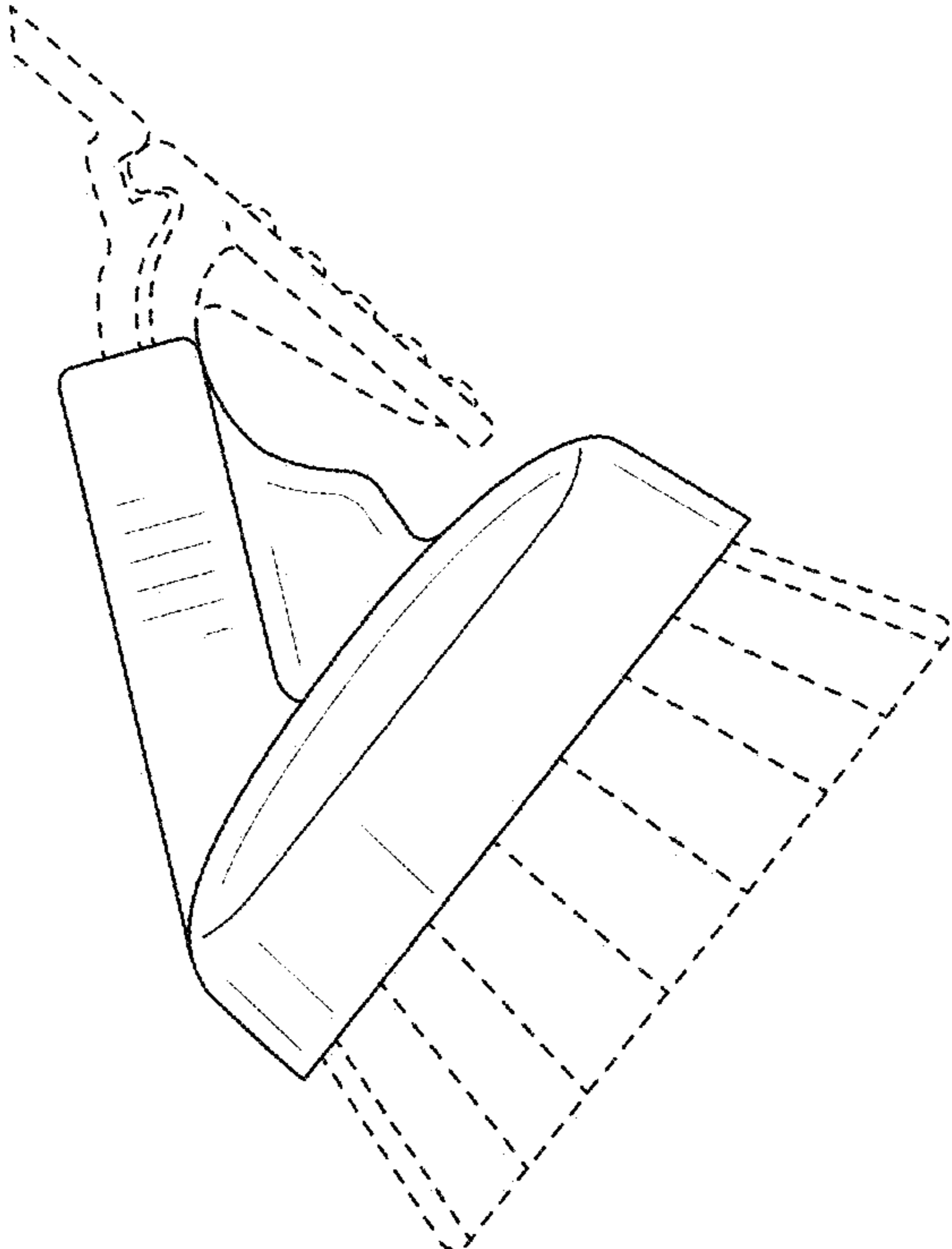


FIG. 4

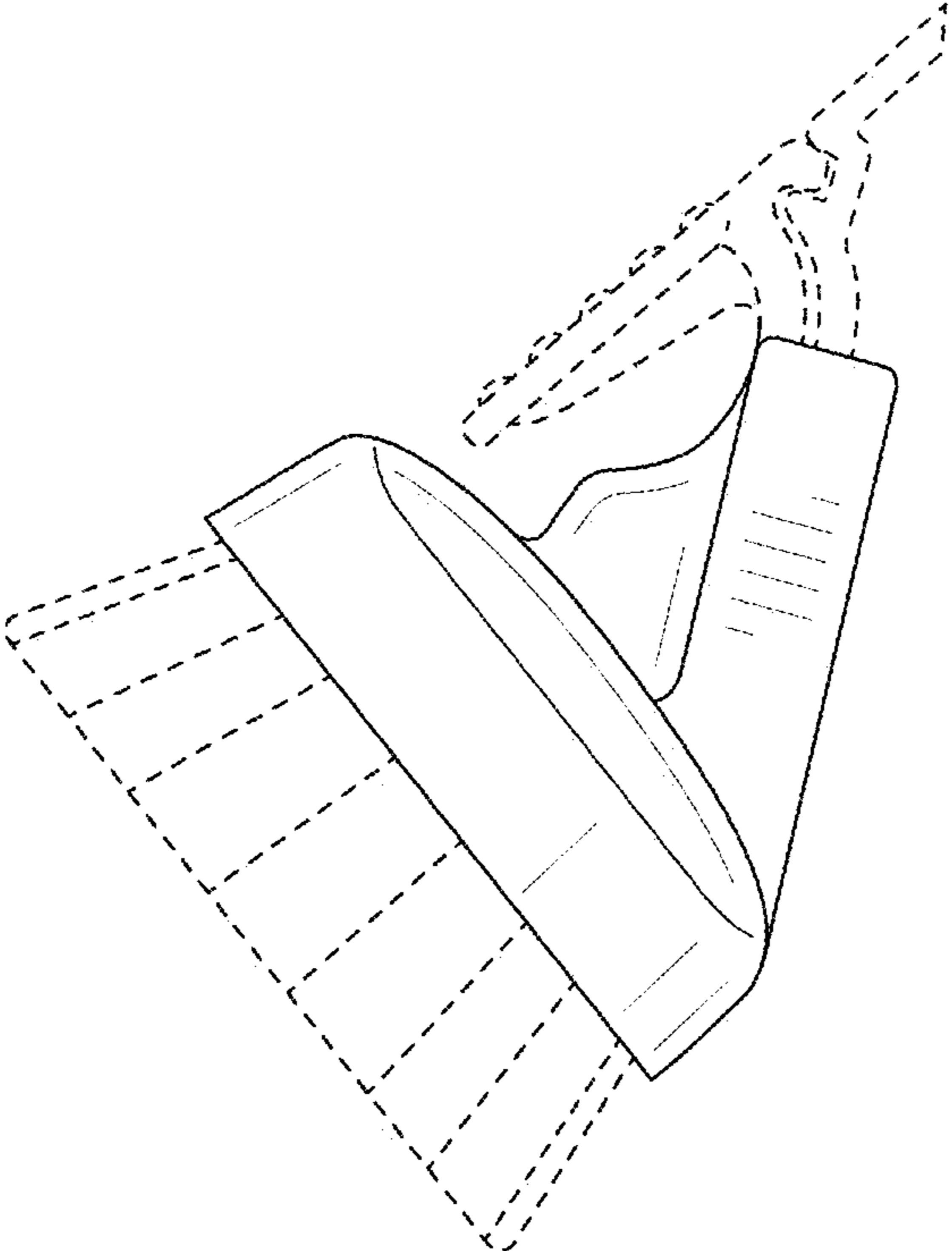


FIG. 5

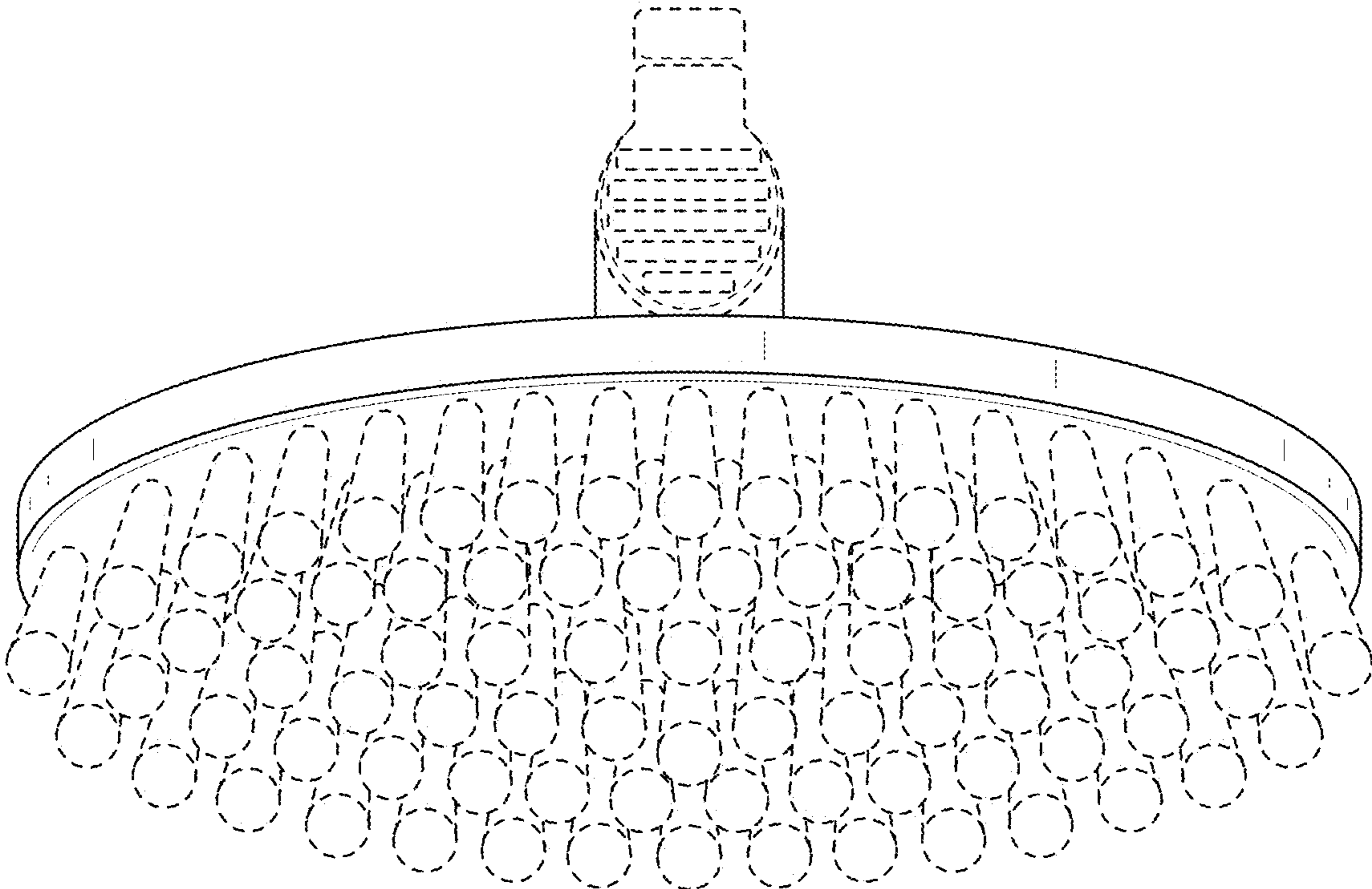


FIG. 6