



US00D931565S

(12) **United States Design Patent** (10) **Patent No.:** **US D931,565 S**  
**Libman et al.** (45) **Date of Patent:** **\*\* Sep. 21, 2021**

(54) **CLEANING IMPLEMENT** 5,819,356 A \* 10/1998 Cann ..... A47L 13/142  
15/120.1  
(71) Applicant: **The Libman Company**, Arcola, IL 5,890,253 A \* 4/1999 Morad ..... A47L 13/142  
(US) 15/120.1  
(72) Inventors: **Aaron Libman**, Champaign, IL (US); D414,342 S 9/1999 Ancona et al.  
**Robert J. Libman**, Arcola, IL (US); D424,399 S \* 5/2000 Staton ..... D8/107  
**Roberto Pellacini**, Torrechiara 6,085,378 A 7/2000 Petner  
Langhirano (IT) 6,125,494 A 10/2000 Morad  
D462,179 S 9/2002 Lai et al.  
D469,614 S 2/2003 Libman  
D474,869 S \* 5/2003 Libman ..... A47L 13/14  
D32/50

(73) Assignee: **The Libman Company**, Arcola, IL  
(US)

(Continued)

(\*\*) Term: **15 Years**

FOREIGN PATENT DOCUMENTS

(21) Appl. No.: **29/727,910**

CN 305547962 \* 1/2020

(22) Filed: **Mar. 13, 2020**

OTHER PUBLICATIONS

(51) **LOC (13) Cl.** ..... **07-05**

(52) **U.S. Cl.**  
USPC ..... **D32/50**

(58) **Field of Classification Search**  
USPC ..... D4/137-138, 127; D32/45, 50-52;  
D14/230  
CPC ..... A47L 17/04; A47L 17/00; A47L 13/16;  
A47L 13/17; A47L 13/50; A47L 13/20;  
A47L 13/00

Libman Wonder Mop Twist Mop in the Wet Mops, Lowes.com review 2013, [https://www.lowes.com/pd/Libman-Wonder-Twist-Mop/1002369?cm\\_mmc=shp\\_-c\\_-prd\\_-lwn\\_-google\\_-lia](https://www.lowes.com/pd/Libman-Wonder-Twist-Mop/1002369?cm_mmc=shp_-c_-prd_-lwn_-google_-lia) . . . site visited Jan. 30, 2021.\*

*Primary Examiner* — John R Yeh  
(74) *Attorney, Agent, or Firm* — Banner & Witcoff, Ltd.

See application file for complete search history.

(57) **CLAIM**

The ornamental design for a cleaning implement, as shown and described.

(56) **References Cited**

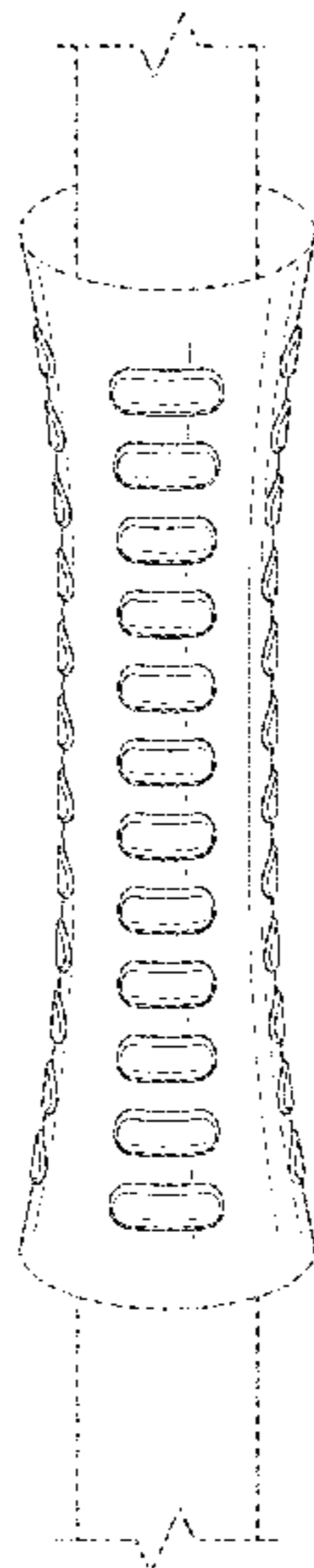
**DESCRIPTION**

U.S. PATENT DOCUMENTS

D168,689 S \* 1/1953 Jones ..... D29/114  
D246,758 S \* 12/1977 Ukai ..... D8/303  
D274,565 S \* 7/1984 Smith, Jr. .... D32/44  
D290,892 S 7/1987 Slany  
5,060,338 A \* 10/1991 Yates ..... A47L 13/14  
15/119.2  
5,581,839 A \* 12/1996 Ferrell, Jr. .... A47L 13/42  
15/143.1  
5,724,694 A \* 3/1998 Lewis ..... A47L 13/144  
15/119.1  
D394,352 S 5/1998 Berti

FIG. 1 is a perspective view of the claimed design;  
FIG. 2 is a front perspective view thereof;  
FIG. 3 is a front view thereof;  
FIG. 4 is a rear view thereof;  
FIG. 5 is a right side view thereof; and,  
FIG. 6 is a left side view thereof.  
The broken lines in the figures illustrate portions of the cleaning implement that form no part of the claimed design.

**1 Claim, 4 Drawing Sheets**



(56)

References Cited

U.S. PATENT DOCUMENTS

D479,024 S	8/2003	Libman		8,046,863 B2	11/2011	Berti et al.
RE38,380 E *	1/2004	Libman	A47L 13/142	D656,696 S	3/2012	Libman et al.
			15/120.1	D664,364 S	7/2012	Gold et al.
D490,952 S *	6/2004	Ajluni	D32/50	D685,969 S *	7/2013	Smith ..... D32/50
D496,532 S	9/2004	Hay		D698,112 S	1/2014	Molinet et al.
D522,702 S *	6/2006	Libman	A47L 13/14	D701,663 S	3/2014	Michels et al.
			D32/50	D718,011 S *	11/2014	Lentine ..... D32/52
D532,569 S	11/2006	Libman et al.		D745,761 S	12/2015	Berti
D542,493 S *	5/2007	Berti	D32/52	D746,009 S	12/2015	Berti
D543,362 S *	5/2007	Hall	D4/102	9,980,621 B1 *	5/2018	Morad ..... A47L 13/23
D544,161 S	6/2007	Weaver		D822,928 S	7/2018	Gooden
D547,542 S	7/2007	Vellrath		D824,129 S	7/2018	Gooden
D551,498 S *	9/2007	Schmidt	D7/395	D829,048 S *	9/2018	Rodal ..... D7/401.2
D578,347 S *	10/2008	Libman	D7/395	D852,510 S *	7/2019	Harrington ..... D4/138
D581,766 S *	12/2008	Heneen	D8/107	D855,701 S *	8/2019	Cardani ..... D19/199
7,520,018 B2 *	4/2009	Libman	A47L 13/14	D873,806 S *	1/2020	Lee ..... D14/230
			15/119.1	2002/0133892 A1 *	9/2002	Monahan ..... A47L 13/14
D599,969 S	9/2009	Weis				15/119.1
D606,270 S	12/2009	Weis et al.		2004/0107522 A1 *	6/2004	Paas ..... A47L 11/4069
D642,761 S *	8/2011	Weaver	D32/50			15/98
D647,980 S *	11/2011	Davis	D21/662	2009/0165232 A1 *	7/2009	Libman ..... A47L 13/255
						15/120.2
				2011/0094047 A1	4/2011	Gold et al.

\* cited by examiner

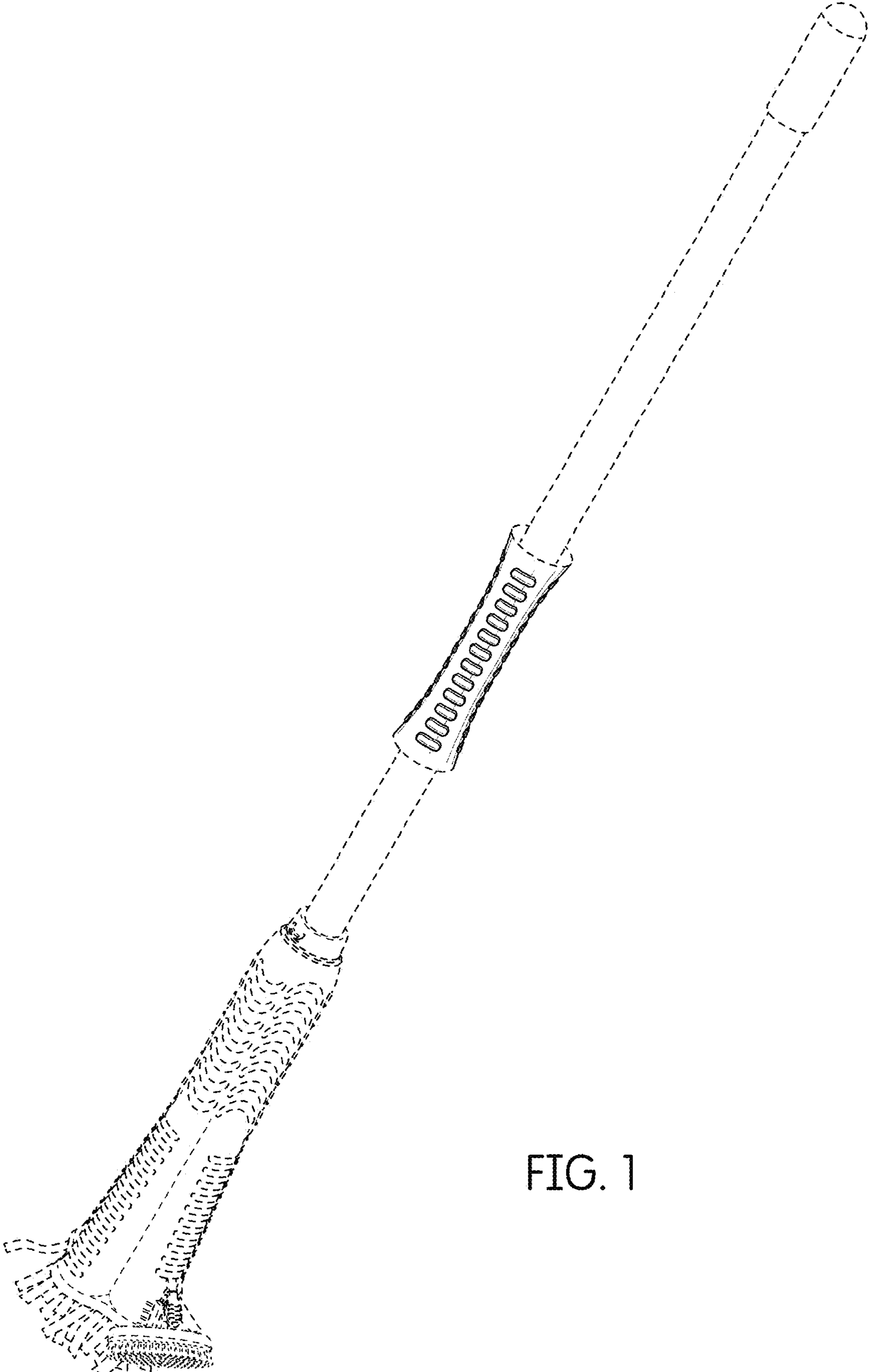


FIG. 1

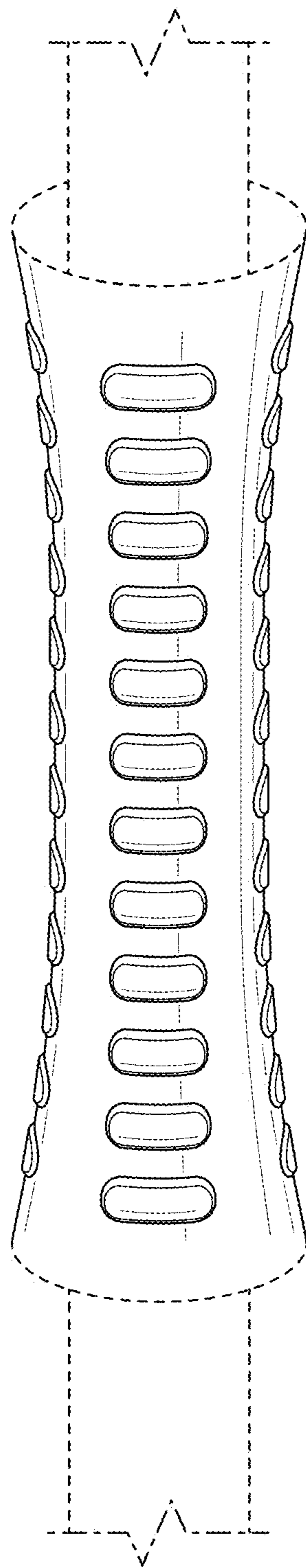


FIG. 2

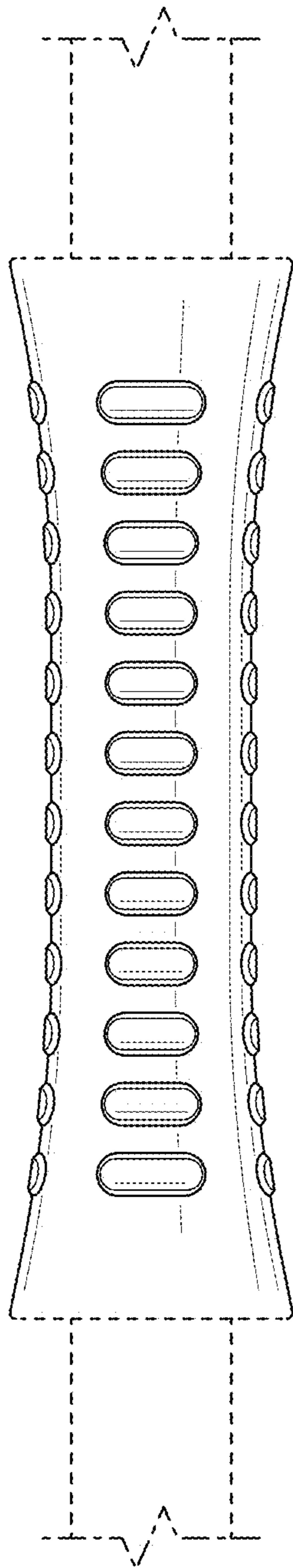


FIG. 3

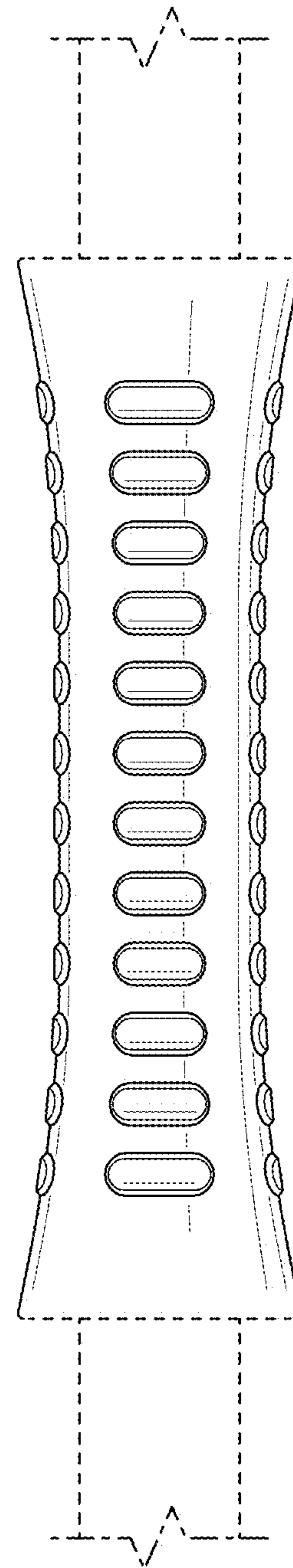


FIG. 4

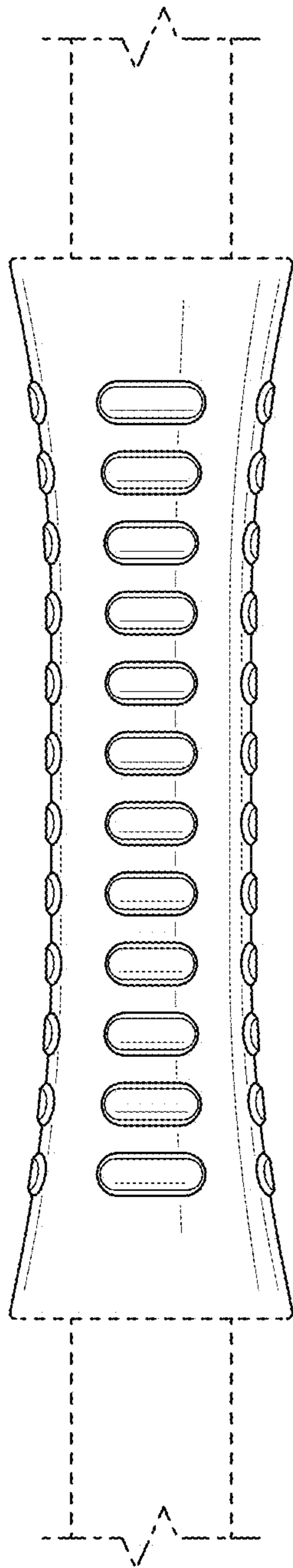


FIG. 5

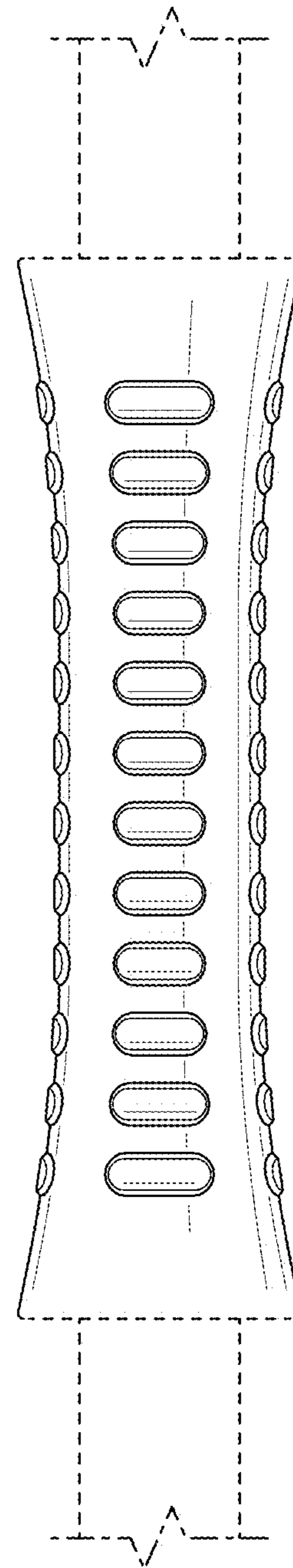


FIG. 6