



US00D931554S

(12) **United States Design Patent**  
**Wedertz**

(10) **Patent No.:** **US D931,554 S**

(45) **Date of Patent:** **\*\* Sep. 21, 2021**

(54) **CAT POST WITH PLATFORM**

(71) Applicant: **Donald Kevin Wedertz**, San Mateo, CA (US)

(72) Inventor: **Donald Kevin Wedertz**, San Mateo, CA (US)

(\*\*) Term: **15 Years**

(21) Appl. No.: **29/605,982**

(22) Filed: **May 31, 2017**

**Related U.S. Application Data**

(63) Continuation-in-part of application No. 14/121,779, filed on Oct. 16, 2014, now abandoned.

(51) **LOC (13) Cl.** ..... **30-99**

(52) **U.S. Cl.**  
USPC ..... **D30/160**

(58) **Field of Classification Search**  
USPC ..... D30/118, 119, 158, 160; D6/389, 392, D6/641, 672, 681, 703.4  
CPC ..... A01K 15/024  
See application file for complete search history.

(56) **References Cited**

**U.S. PATENT DOCUMENTS**

- 2,730,207 A \* 1/1956 Hall ..... E04H 12/34  
137/625.24
- 3,479,991 A \* 11/1969 Lichtenberger ..... A01K 15/024  
108/151
- D328,536 S \* 8/1992 Ma ..... D6/405
- D394,362 S \* 5/1998 Eskdale ..... D6/677.1
- 5,875,735 A \* 3/1999 Bradley ..... A01K 15/024  
119/706
- D422,754 S \* 4/2000 Kolozsvari ..... D30/118
- D461,026 S \* 7/2002 Mason ..... D30/160
- D635,307 S \* 3/2011 Harmon ..... D30/160
- D648,079 S \* 11/2011 Haaf ..... D30/160
- 2003/0221628 A1 \* 12/2003 Leon ..... A01K 15/024  
119/28.5

- 2012/0312239 A1\* 12/2012 Wedertz ..... A01K 15/024  
119/28.5
- 2016/0106067 A1\* 4/2016 Wedertz ..... A01K 15/024  
119/28.5
- 2018/0084758 A1\* 3/2018 Zhu ..... A01K 15/024

**OTHER PUBLICATIONS**

“Pawhut Cat Tree Climbing Tower”. Found online Feb. 11, 2019 at amazon.co.uk. Page dated Sep. 26, 2015. Retrieved from [https://www.amazon.co.uk/...\\_rd\\_w=np0Qv&pd\\_rd\\_wg=XBdxv&pf\\_rd\\_p=18edf98b-139a-41ee-bb40-d725dd59d1d3&pf\\_rd\\_r=H4GC9N8H50K143F45C40&psc=1&refRID=H4GC9N8H50K143F45C40](https://www.amazon.co.uk/..._rd_w=np0Qv&pd_rd_wg=XBdxv&pf_rd_p=18edf98b-139a-41ee-bb40-d725dd59d1d3&pf_rd_r=H4GC9N8H50K143F45C40&psc=1&refRID=H4GC9N8H50K143F45C40).\*

“TecTake CatScratcher Activity Center Cat Tree Deluxe”. Found online Feb. 11, 2019 at amazon.co.uk. Page dated May 31, 2011. Retrieved from [https://www.amazon.co.uk/TecTake-Scratcher-Activity-Center-Deluxe/dp/B0053GBAUK/ref=sr\\_1\\_10?s=pets-supplies&ie=UTF8&qid=1549912917&sr=1-10&keywords=cat%2Btree&th=1](https://www.amazon.co.uk/TecTake-Scratcher-Activity-Center-Deluxe/dp/B0053GBAUK/ref=sr_1_10?s=pets-supplies&ie=UTF8&qid=1549912917&sr=1-10&keywords=cat%2Btree&th=1).\*

\* cited by examiner

*Primary Examiner* — Kendra Leslie Hamilton  
(74) *Attorney, Agent, or Firm* — Lamon Patent Services; Cynthia S. Lamon

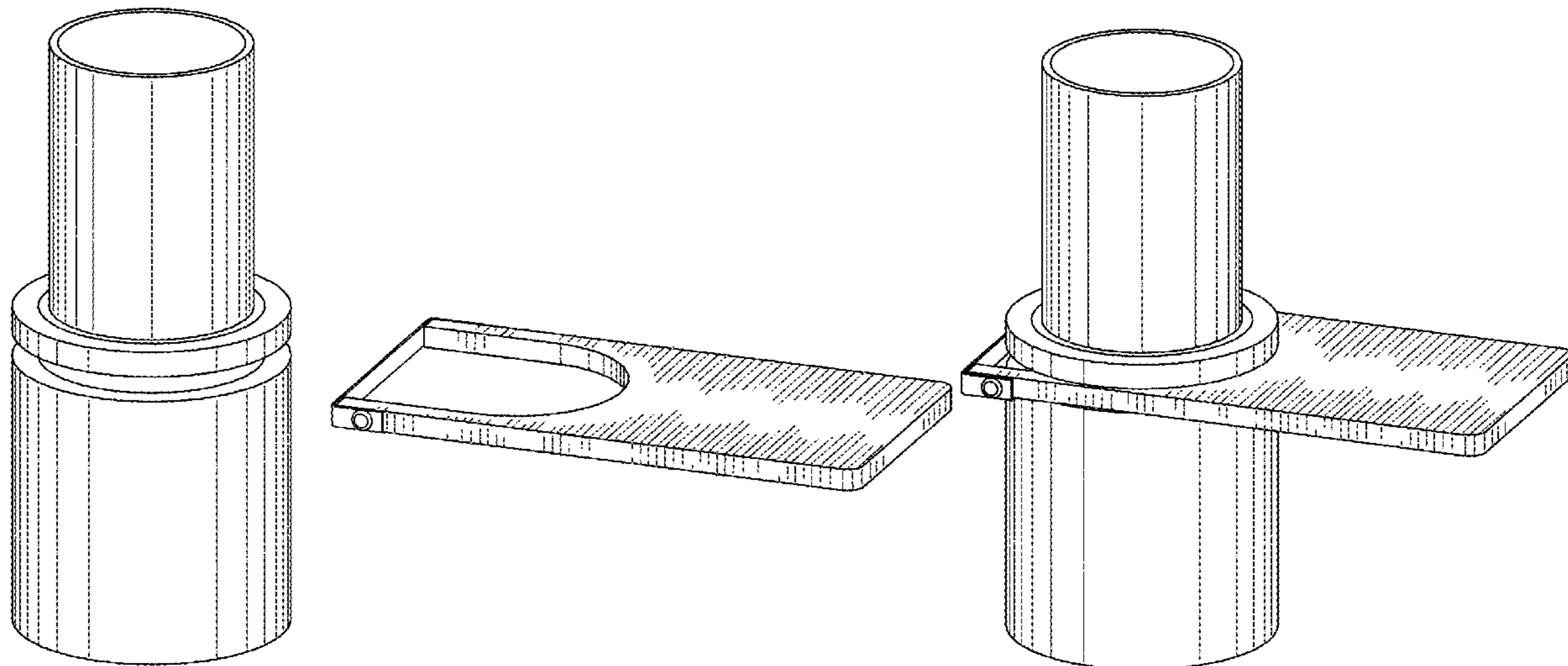
(57) **CLAIM**

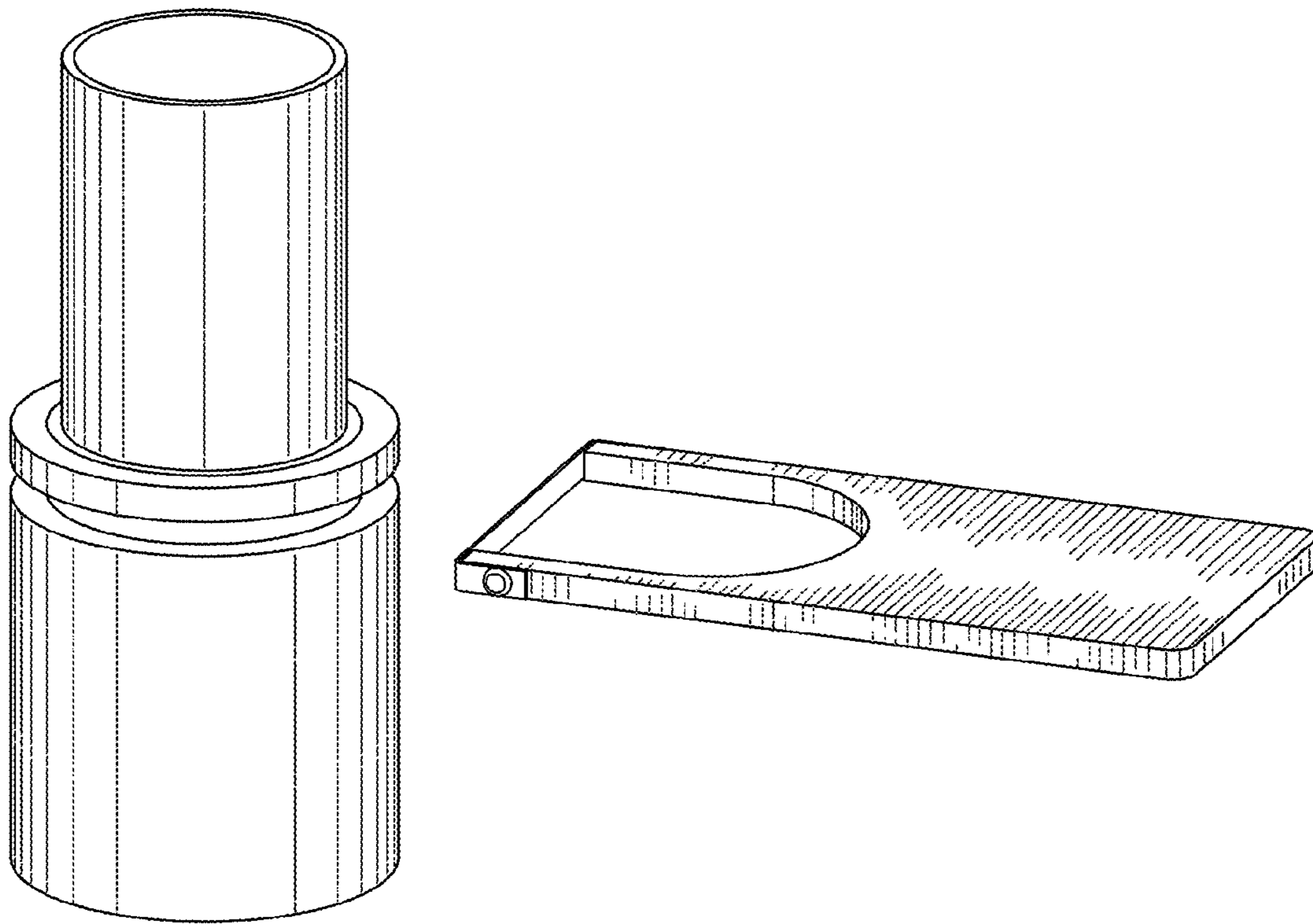
The ornamental design for a cat post with platform, as shown and described.

**DESCRIPTION**

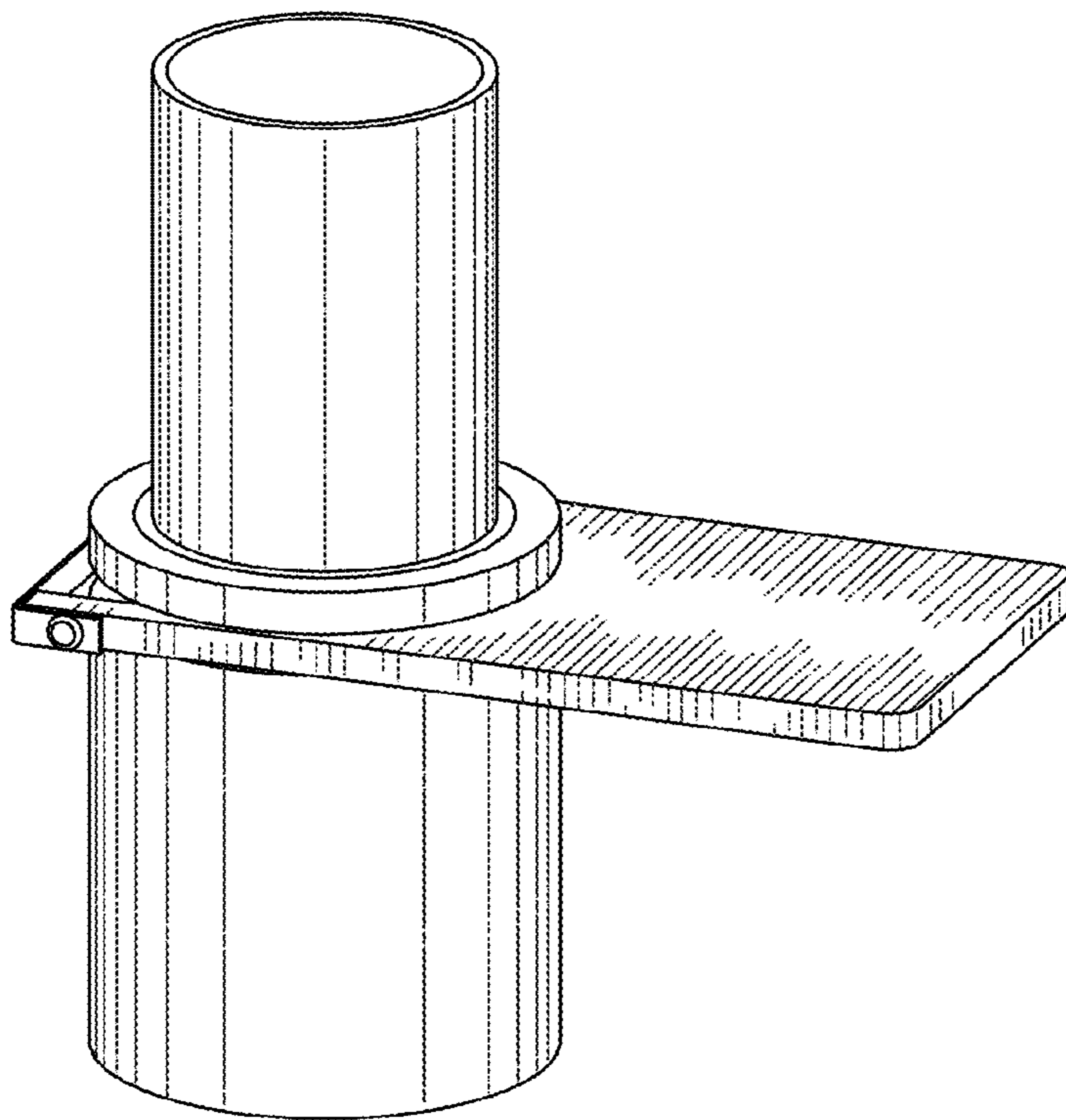
FIG. 1 is a top, front perspective view of a cat post with platform, shown exploded for clarity of disclosure; FIG. 2 is a top, front perspective view thereof; FIG. 3 is a top, rear perspective view thereof; FIG. 4 is a top plan view thereof; and, FIG. 5 is a bottom plan view thereof. The broken lines in the drawings depict portions of the cat post with platform that form no part of the claimed design.

**1 Claim, 2 Drawing Sheets**





**Fig. 1**



**Fig. 2**

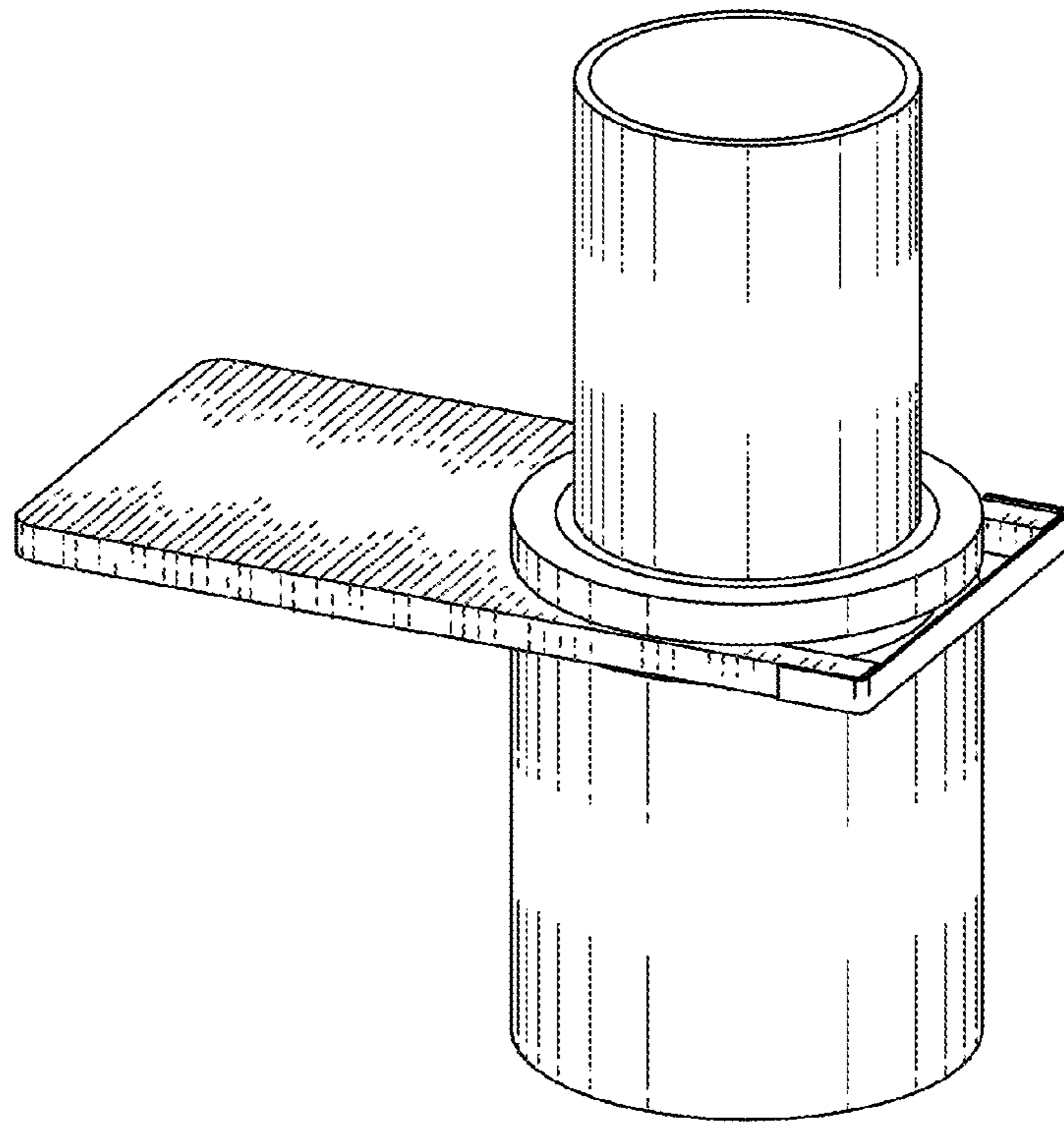


Fig. 3

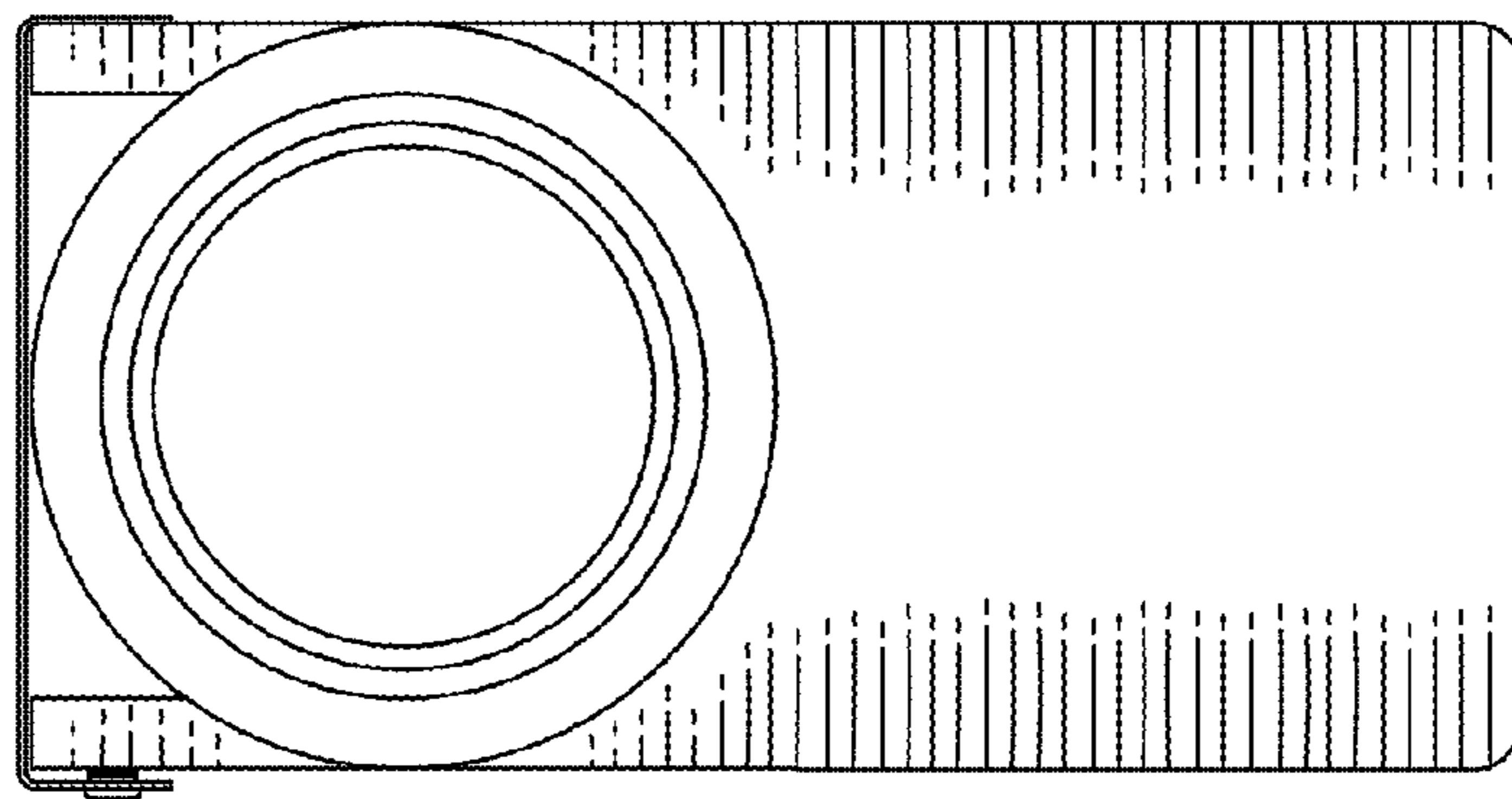


Fig. 4

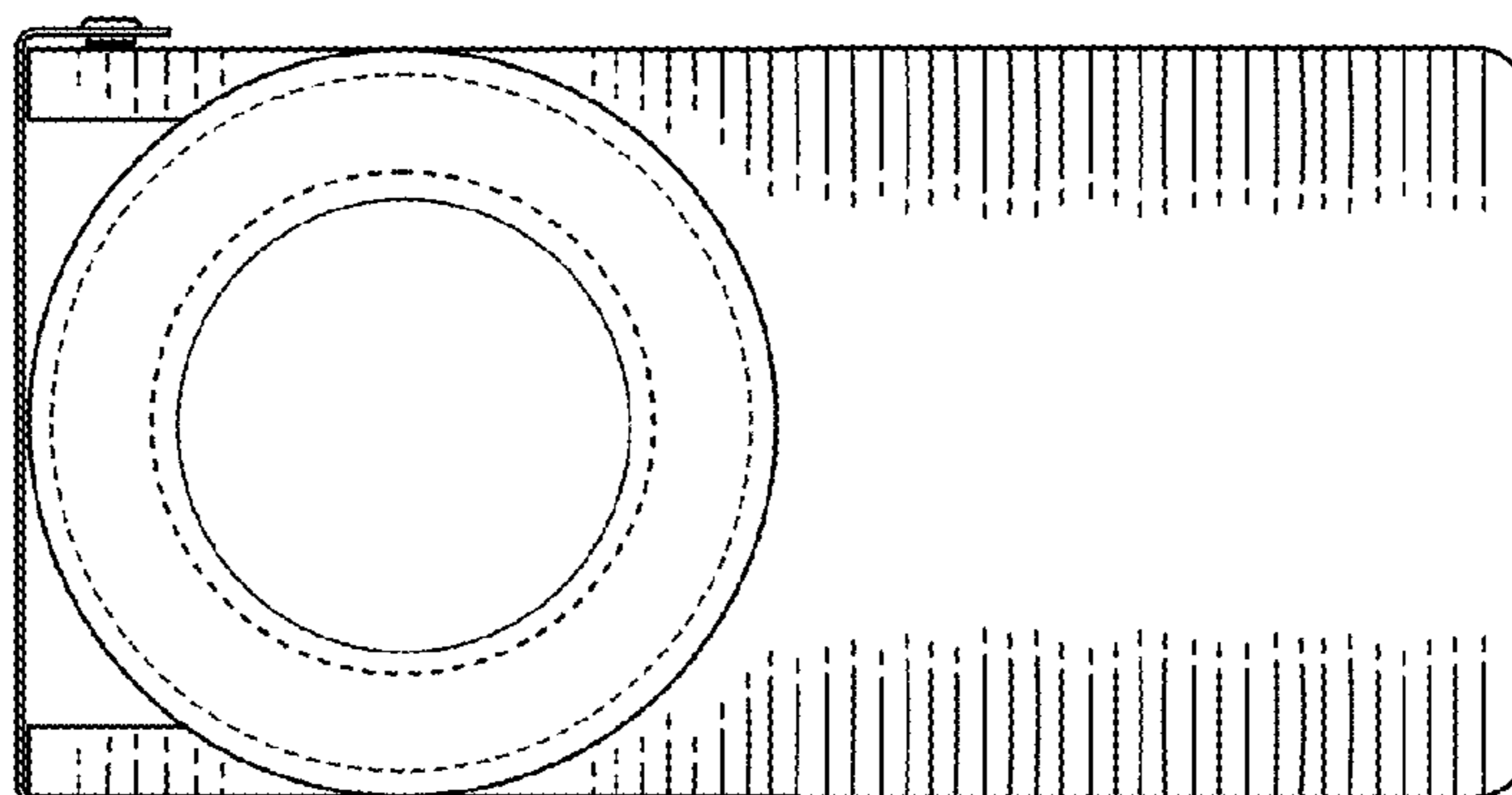


Fig. 5