



US00D931549S

(12) **United States Design Patent**
Smith et al.

(10) **Patent No.:** **US D931,549 S**
(45) **Date of Patent:** **** Sep. 21, 2021**

(54) **CHIN GUARD FOR A FACE SHIELD**

(71) Applicant: **Lincoln Global, Inc.**, Santa Fe Springs, CA (US)

(72) Inventors: **Richard D. Smith**, Hudson, OH (US);
Chase P. Rutti, Cleveland, OH (US);
Joseph R. Brusky, Willowick, OH (US);
Paul H. Rumpke, Cleveland, OH (US)

(73) Assignee: **LINCOLN GLOBAL, INC.**, Santa Fe Springs, CA (US)

(**) Term: **15 Years**

(21) Appl. No.: **29/727,454**

(22) Filed: **Mar. 11, 2020**

(51) **LOC (13) Cl.** **02-99**

(52) **U.S. Cl.**
USPC **D29/122**

(58) **Field of Classification Search**
USPC D29/102-110, 122; D24/110.2, 110.3
CPC A42B 3/00; A42B 3/04; A42B 3/0406;
A42B 3/08; A42B 1/0181; A42B 3/085;
A42B 3/18; A42B 3/185; A42B 3/20;
A42B 3/205; A42B 3/22; A42B 3/221;
A42B 3/222; A42B 3/223; A42B 3/225;
A42B 3/288; A41D 13/1184; A41D
13/11; A41D 13/1107; A41D 13/1161;
A61F 9/02; A61F 9/04; A61F 9/06; A61F
9/025; A62B 18/08

See application file for complete search history.

(56) **References Cited**

U.S. PATENT DOCUMENTS

3,362,403 A * 1/1968 Fleming A42B 3/288
128/201.24
D243,127 S * 1/1977 Farquharson D29/108

(Continued)

OTHER PUBLICATIONS

Sellstorm; "Face Protection;" <https://www.sellstrom.com/face-protection-c-60.html?bsCsid=vjc8p4bgqqolobua2us95k8655>; Accessed on Feb. 20, 2020; p. 1.

(Continued)

Primary Examiner — Kimberly Barnes

(74) *Attorney, Agent, or Firm* — Brad C. Spencer

(57) **CLAIM**

The ornamental design for a chin guard for a face shield, as shown and described.

DESCRIPTION

FIG. 1 is a front perspective view of a chin guard for a face shield showing our new design;

FIG. 2 is a rear perspective view thereof;

FIG. 3 is a front elevational view thereof;

FIG. 4 is a rear elevational view thereof;

FIG. 5 is a left side elevational view thereof;

FIG. 6 is a right side elevational view thereof;

FIG. 7 is a top plan view thereof; and,

FIG. 8 is a bottom plan view thereof;

FIG. 9 is a front perspective view of a chin guard for a face shield showing the chin guard attached to a face shield, to illustrate a typical environment in which the chin guard would be used;

FIG. 10 is a rear perspective view thereof;

FIG. 11 is a front elevational view thereof;

FIG. 12 is a rear elevational view thereof;

FIG. 13 is a left side elevational view thereof;

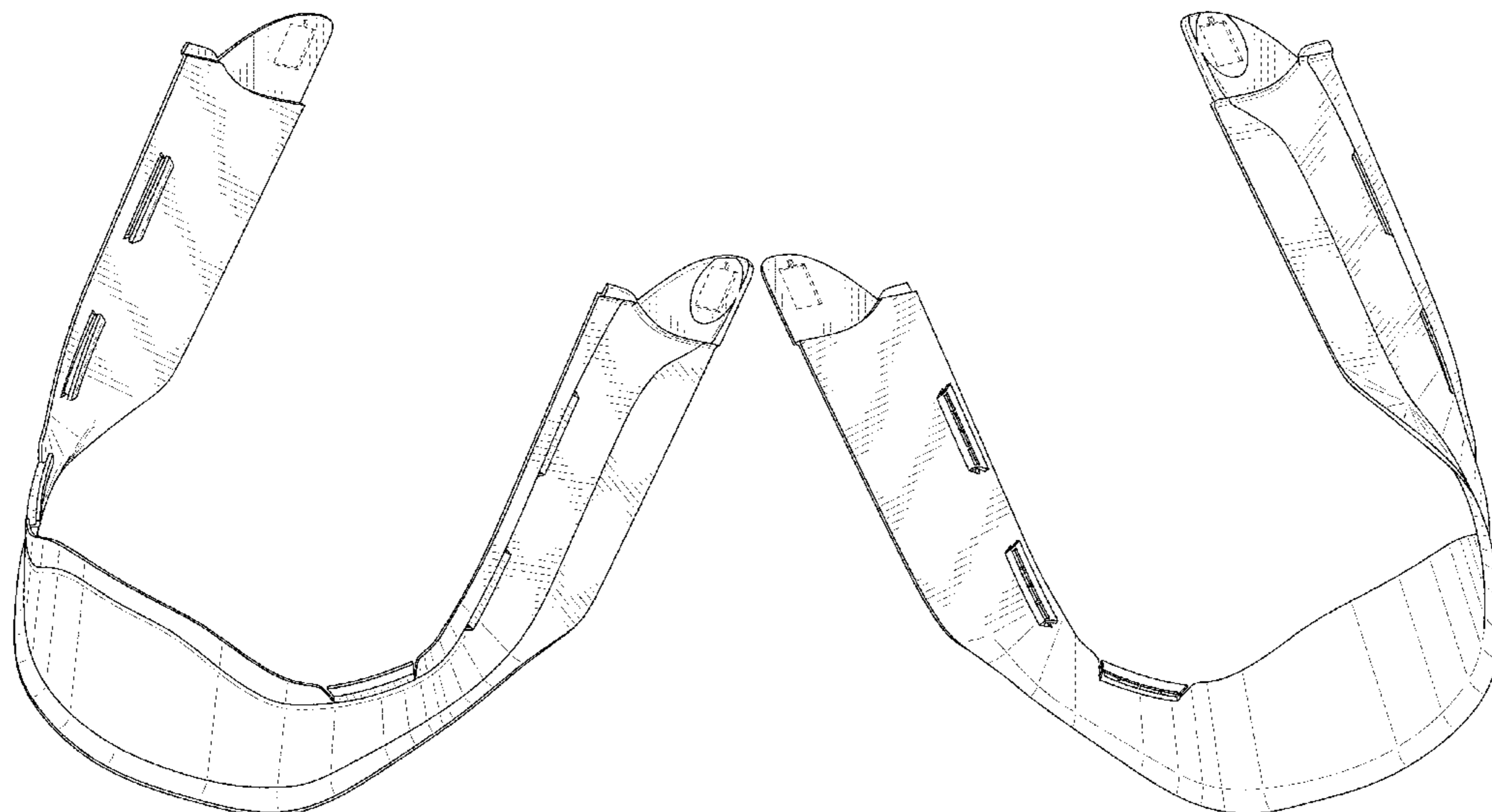
FIG. 14 is a right side elevational view thereof;

FIG. 15 is a top plan view thereof; and,

FIG. 16 is a bottom plan view thereof.

In these drawings, the solid lines illustrate the claimed ornamental design, whereas the broken lines illustrate environmental features that form no part of the claimed ornamental design.

1 Claim, 14 Drawing Sheets



(56)

References Cited

U.S. PATENT DOCUMENTS

4,748,695	A *	6/1988	Shigematsu	A61F 9/025 2/424
6,016,805	A *	1/2000	Burns	A42B 3/288 128/206.24
D503,497	S	3/2005	Canavan et al.	
D503,498	S	3/2005	Canavan et al.	
D504,195	S	4/2005	Canavan et al.	
D511,227	S	11/2005	Canavan et al.	
D511,865	S	11/2005	Canavan et al.	
D512,187	S	11/2005	Canavan et al.	
7,007,306	B2	3/2006	Howard et al.	
7,120,939	B1	10/2006	Howard et al.	
7,261,104	B2 *	8/2007	Kiefer	A62B 9/04 128/201.17
D584,010	S *	12/2008	Fernandes	D29/122
D587,858	S *	3/2009	Brace	D29/122
D597,260	S *	7/2009	Brace	D29/122
D612,544	S *	3/2010	Brace	D29/122
8,225,421	B1	7/2012	Froissard	
D681,282	S *	4/2013	Dente	D29/108
8,534,279	B2 *	9/2013	Brace	A62B 18/045 128/201.24
10,750,800	B2 *	8/2020	Jefferis	A42B 3/225
2017/0112224	A1	4/2017	Gotti	

OTHER PUBLICATIONS

Honeywell; "Uvex Bionic: A revolutionary face shield designed for rugged jobs;" <https://safety.honeywell.com/en-us/products/by-category/head-eye-and-face-protection/face-shields/uvex-bionic>; Accessed on Feb. 20, 2020; pp. 1-2.

* cited by examiner

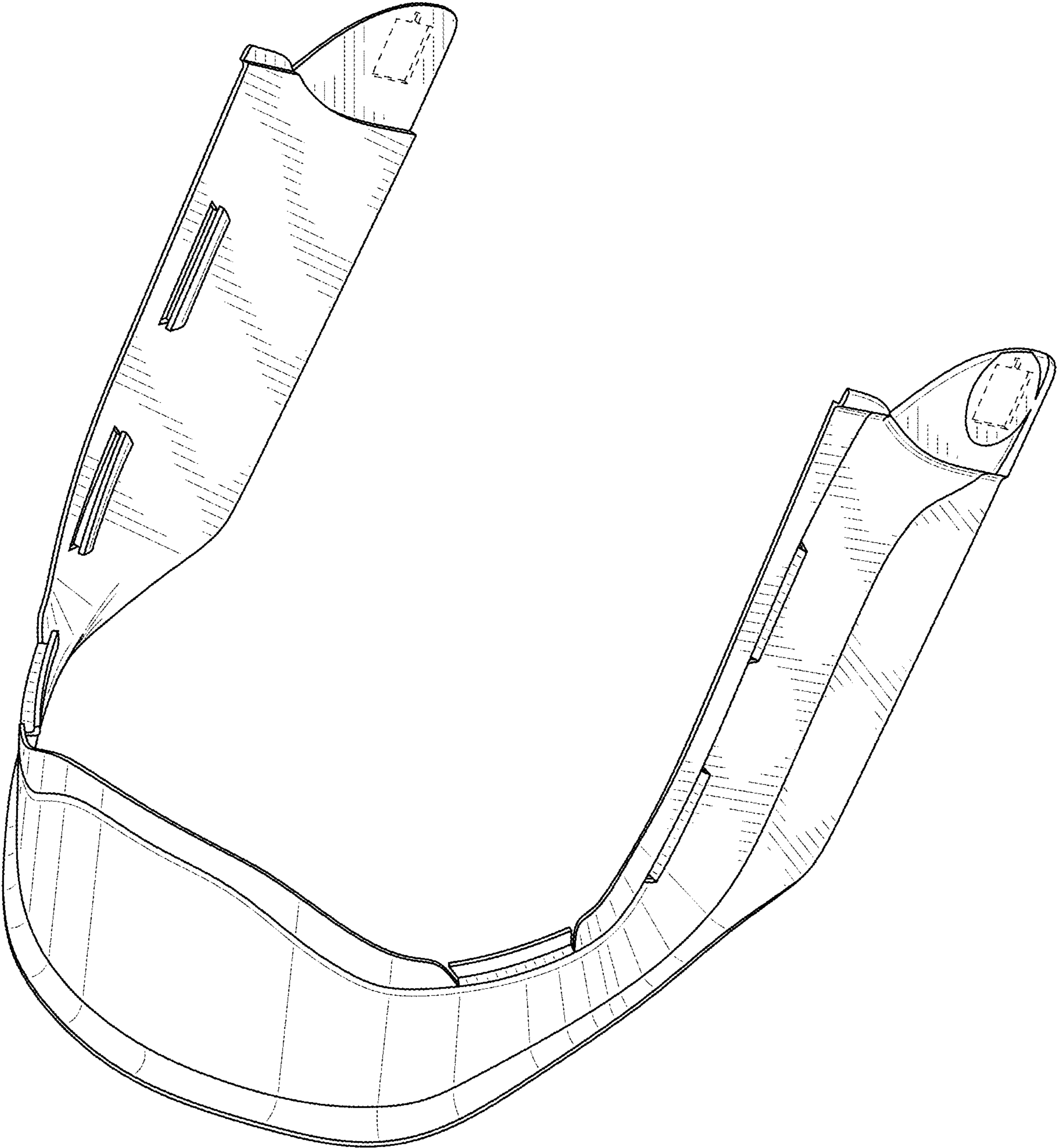


FIG. 1

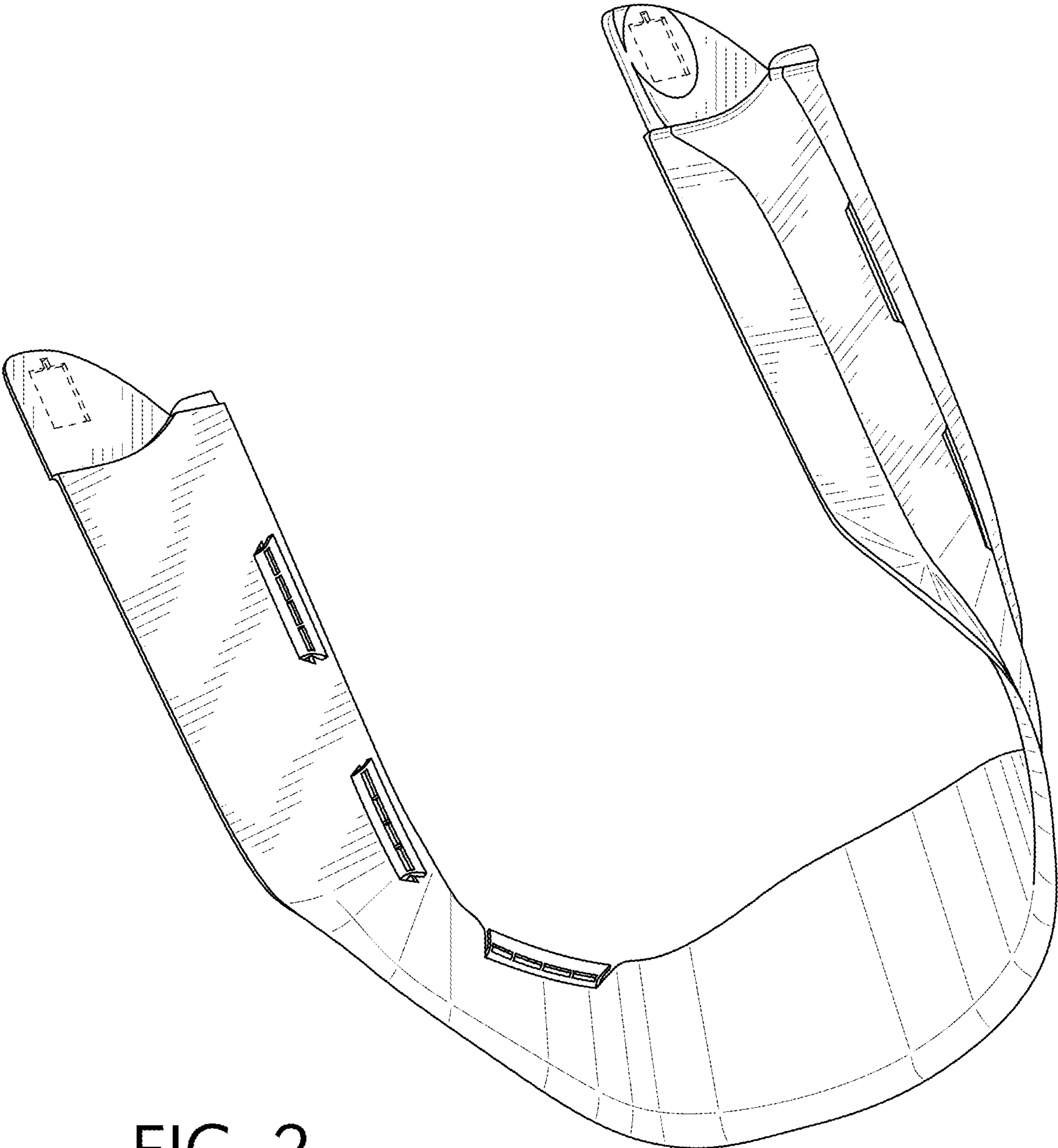


FIG. 2

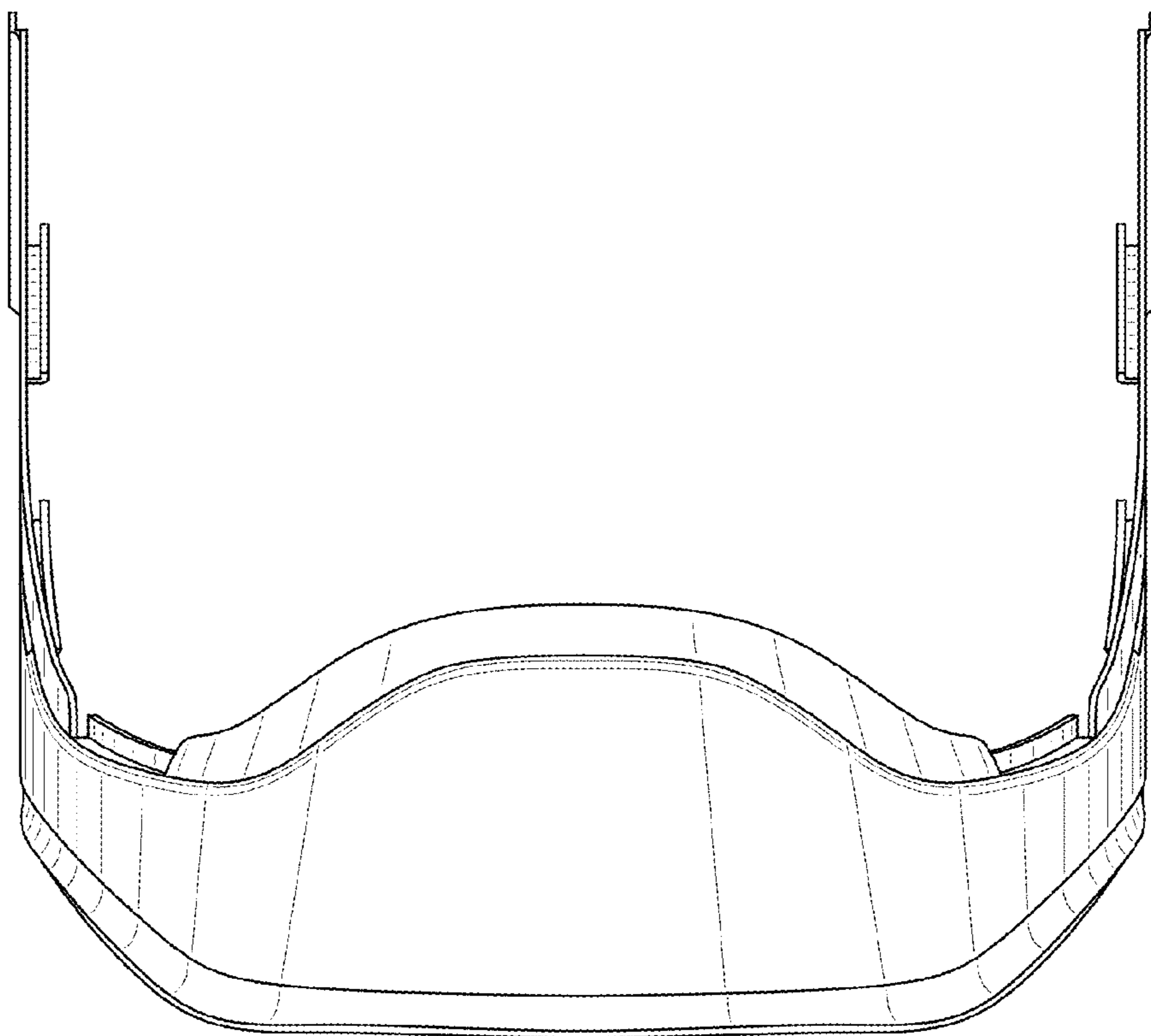


FIG. 3

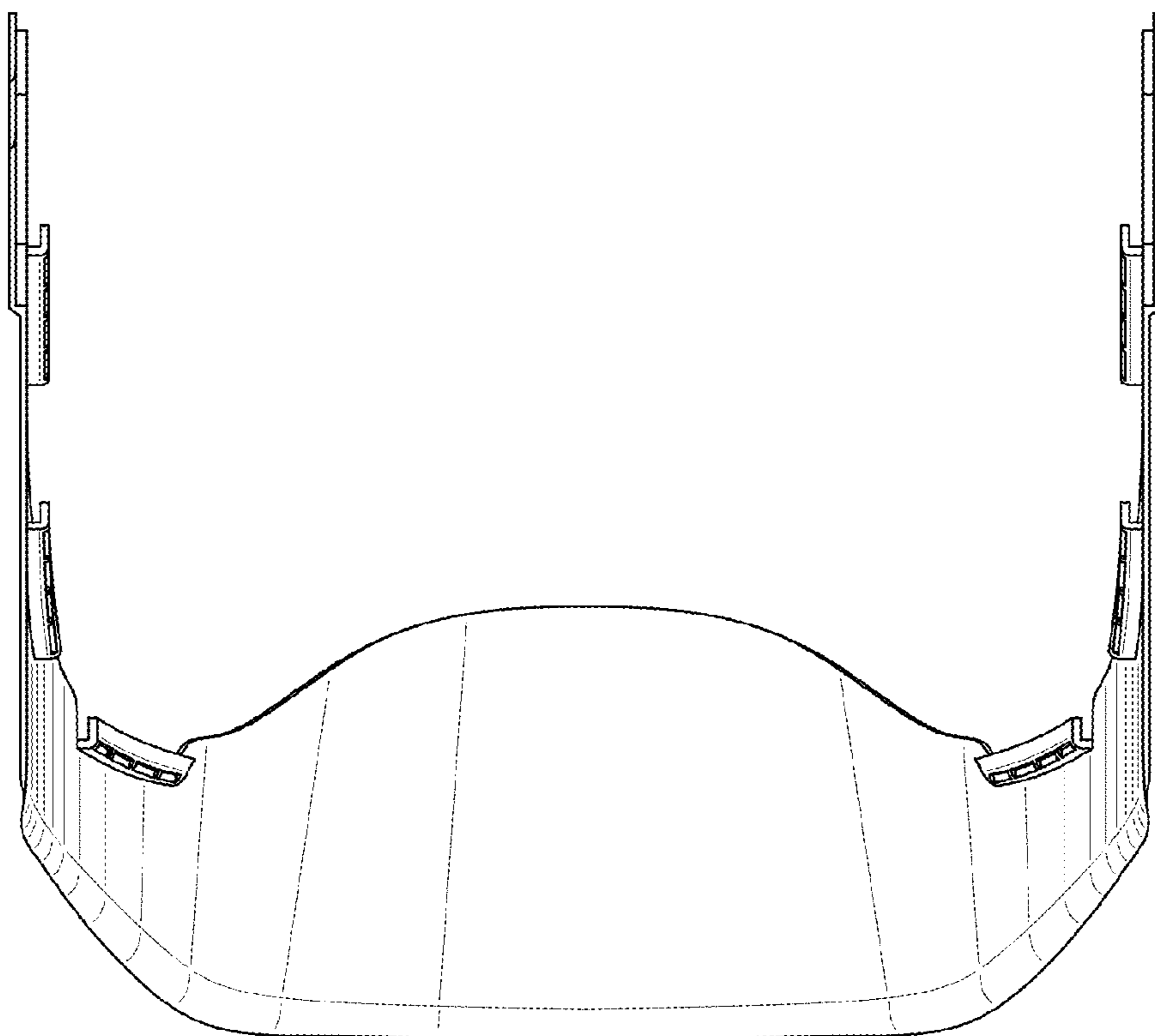


FIG. 4

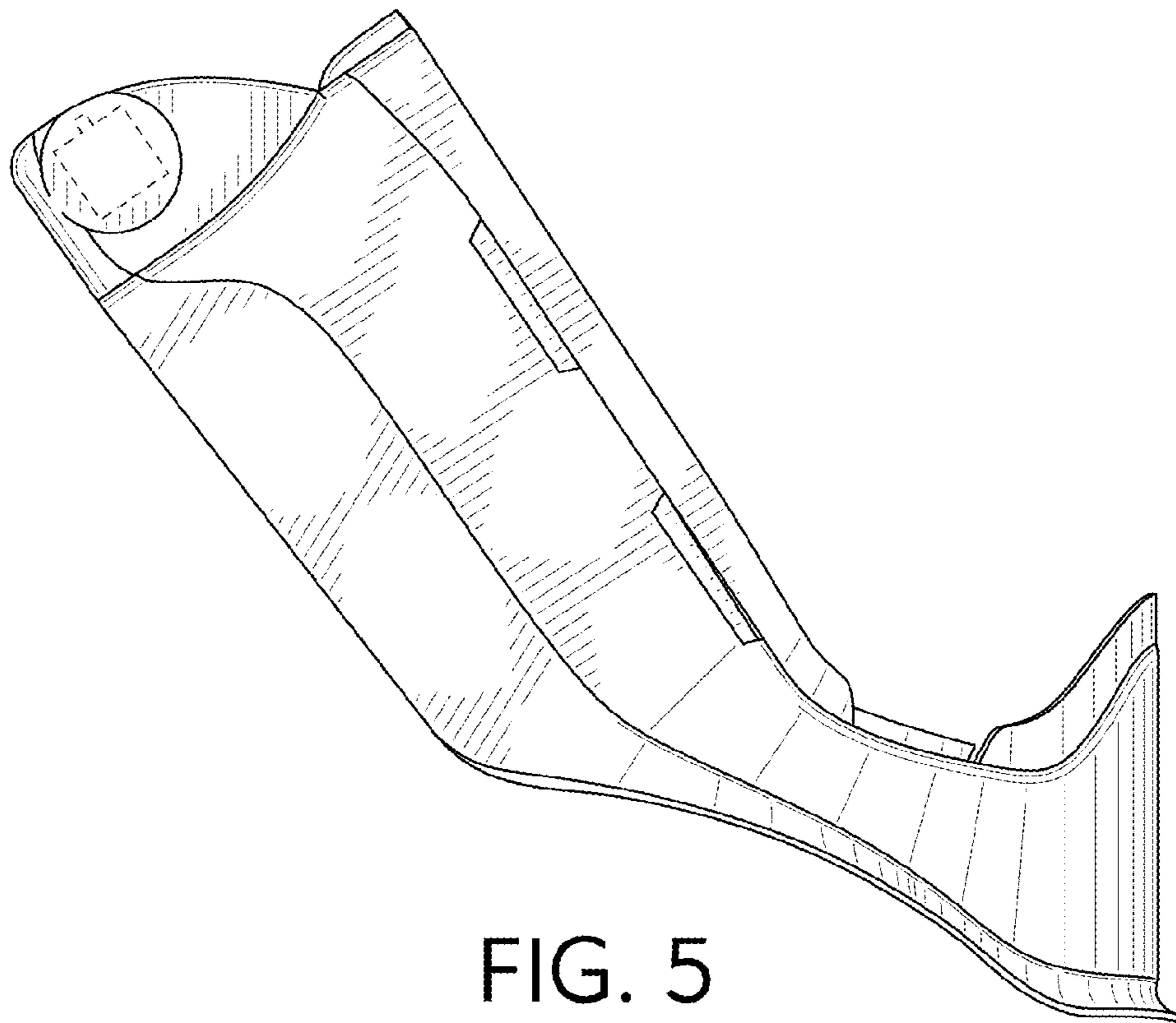


FIG. 5

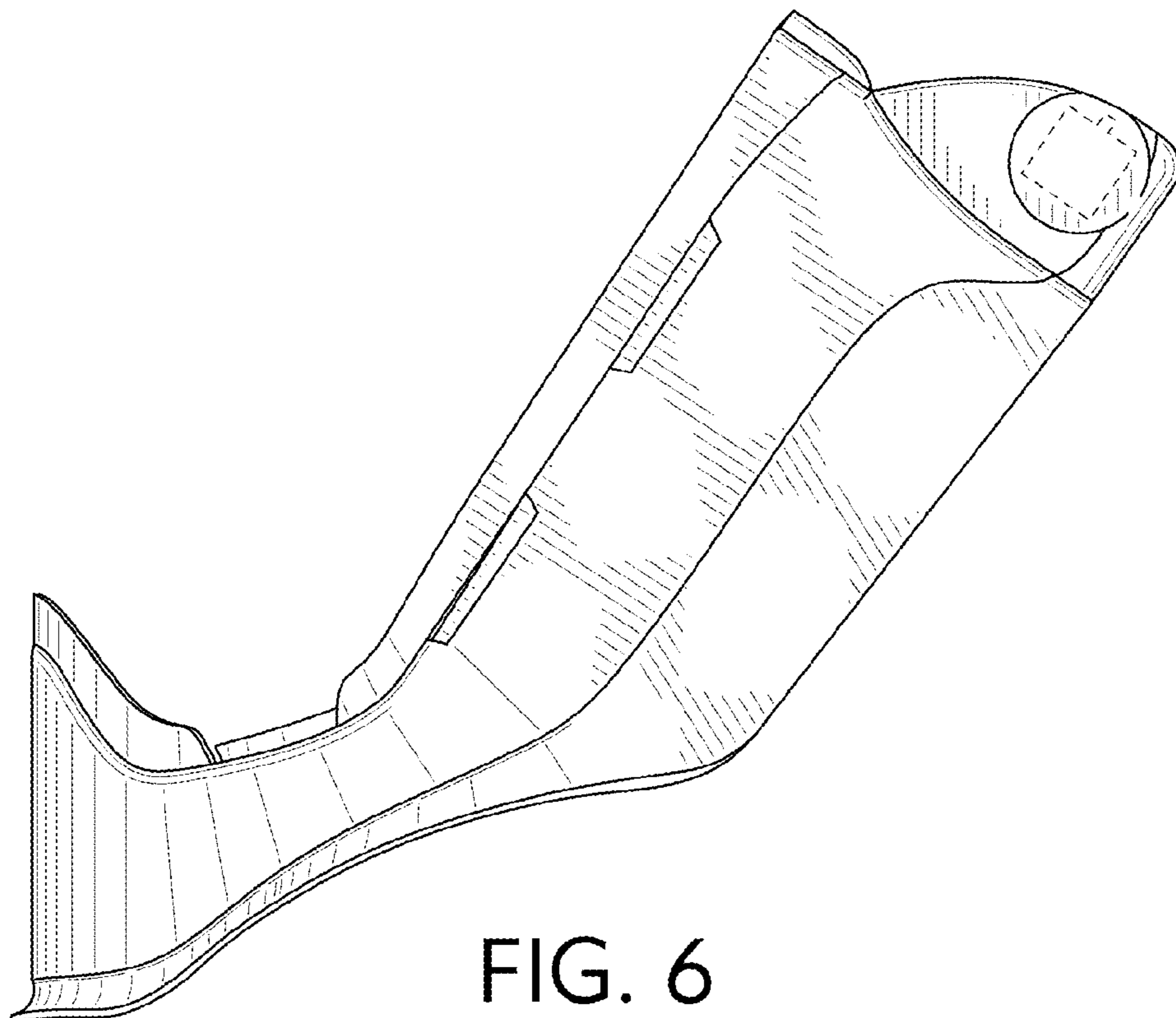


FIG. 6

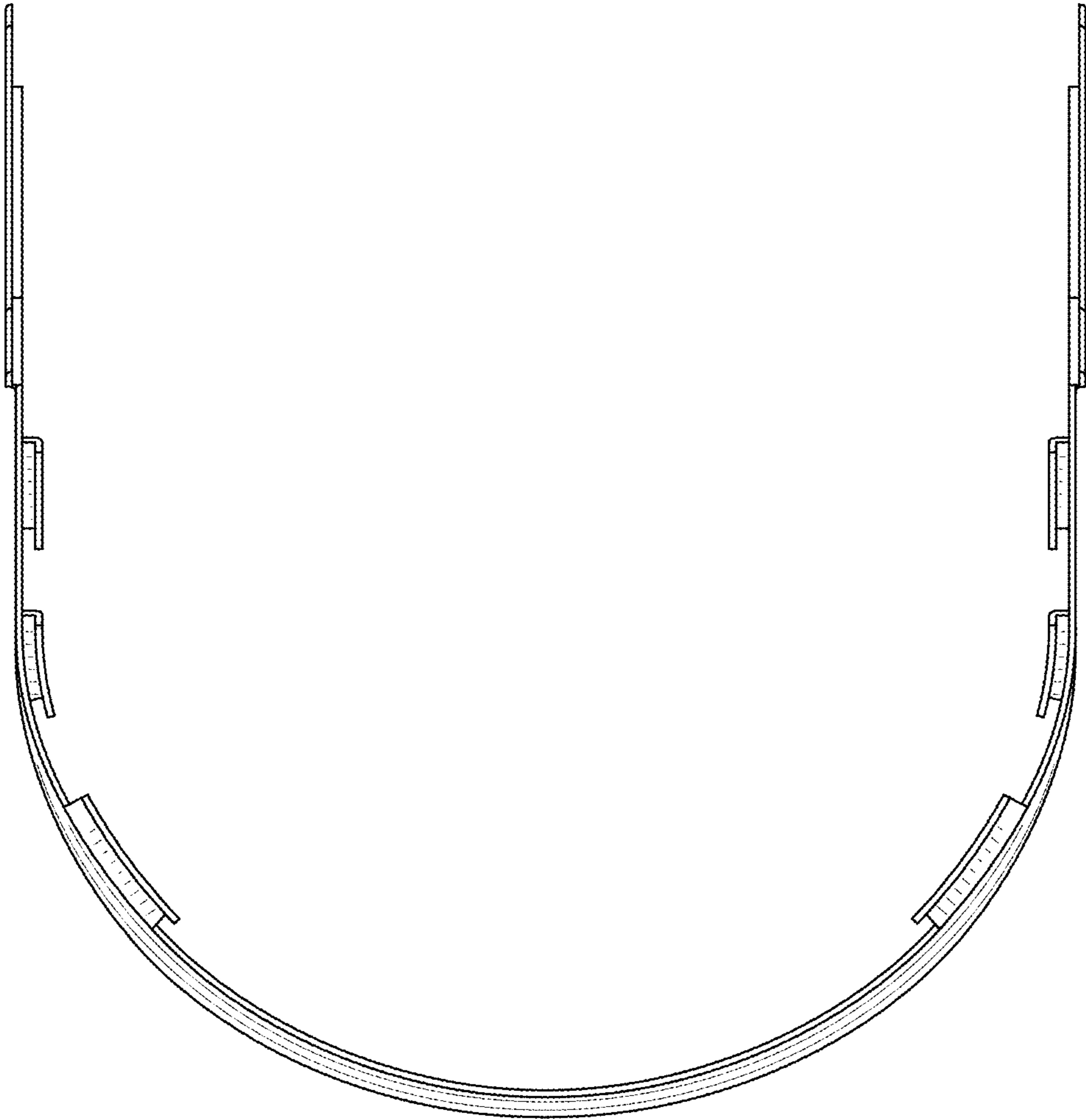


FIG. 7

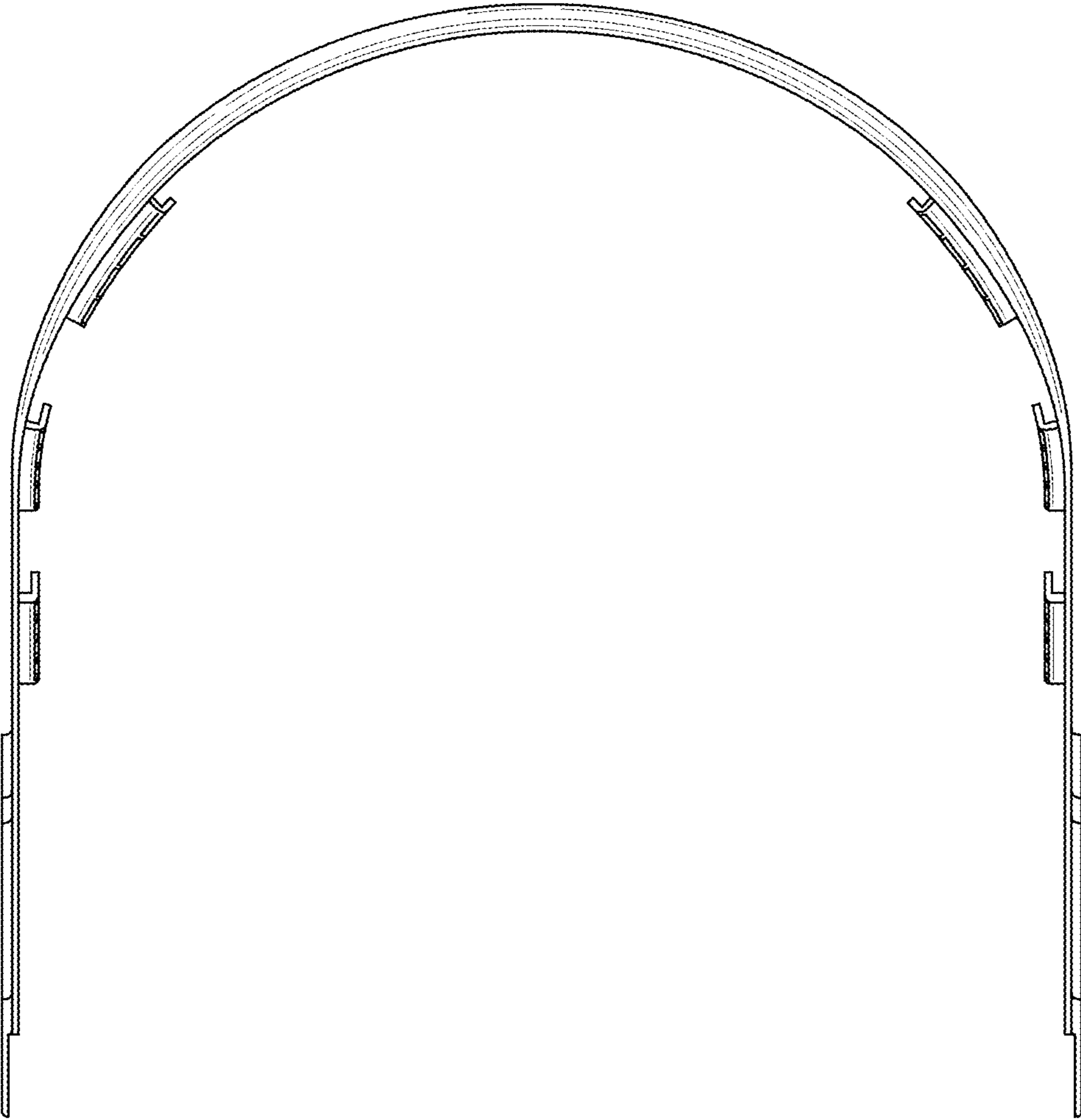


FIG. 8

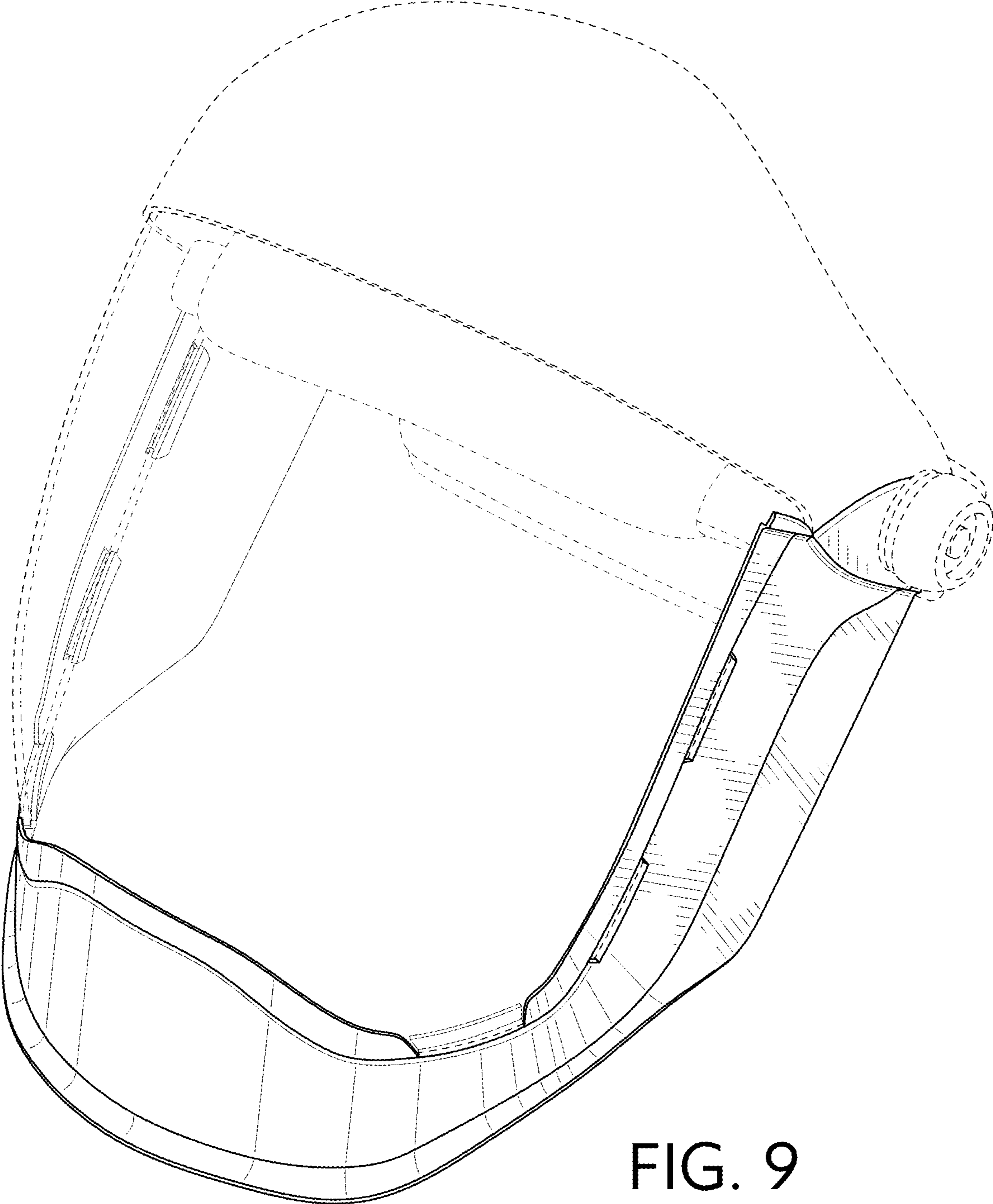


FIG. 9

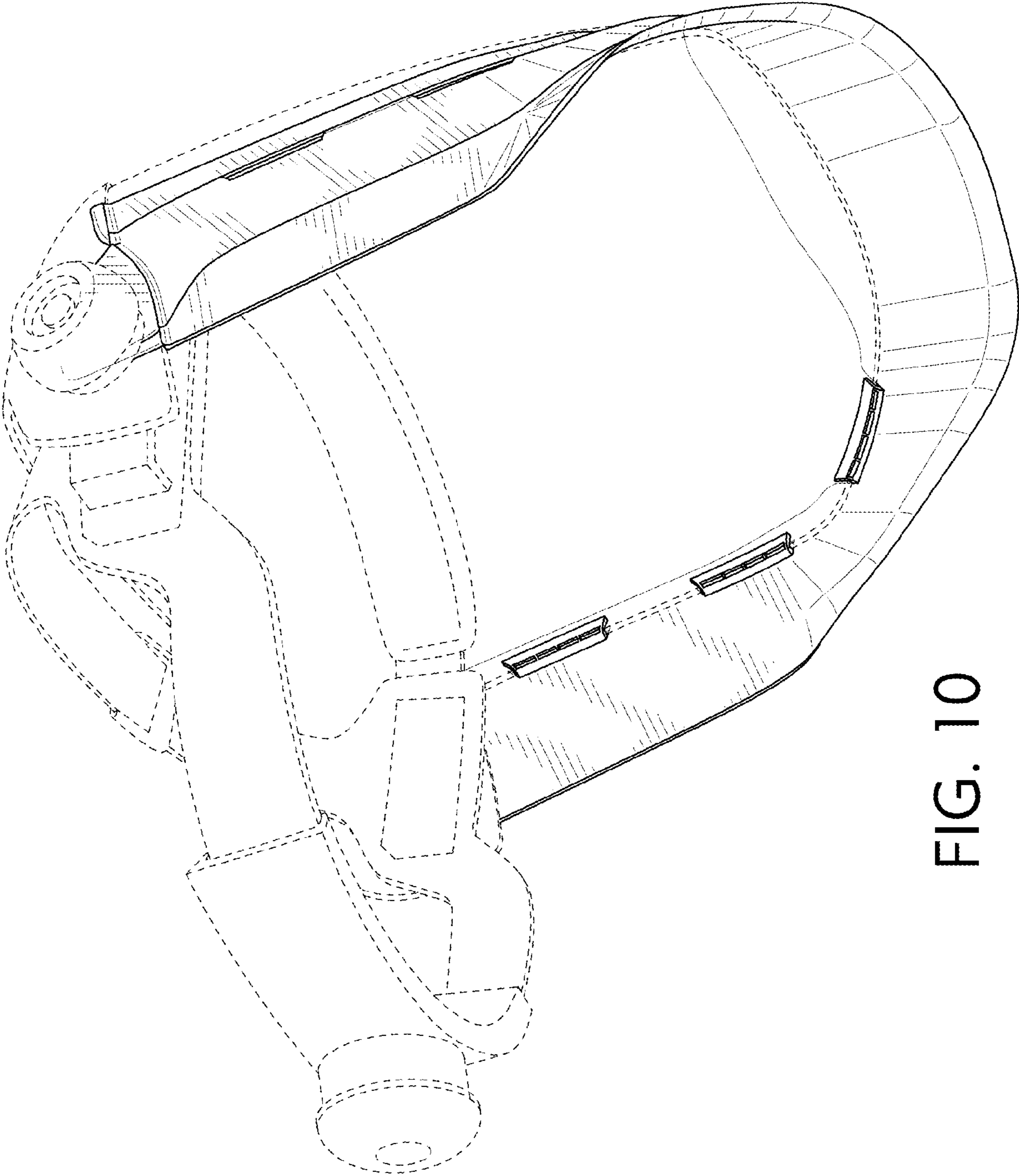


FIG. 10

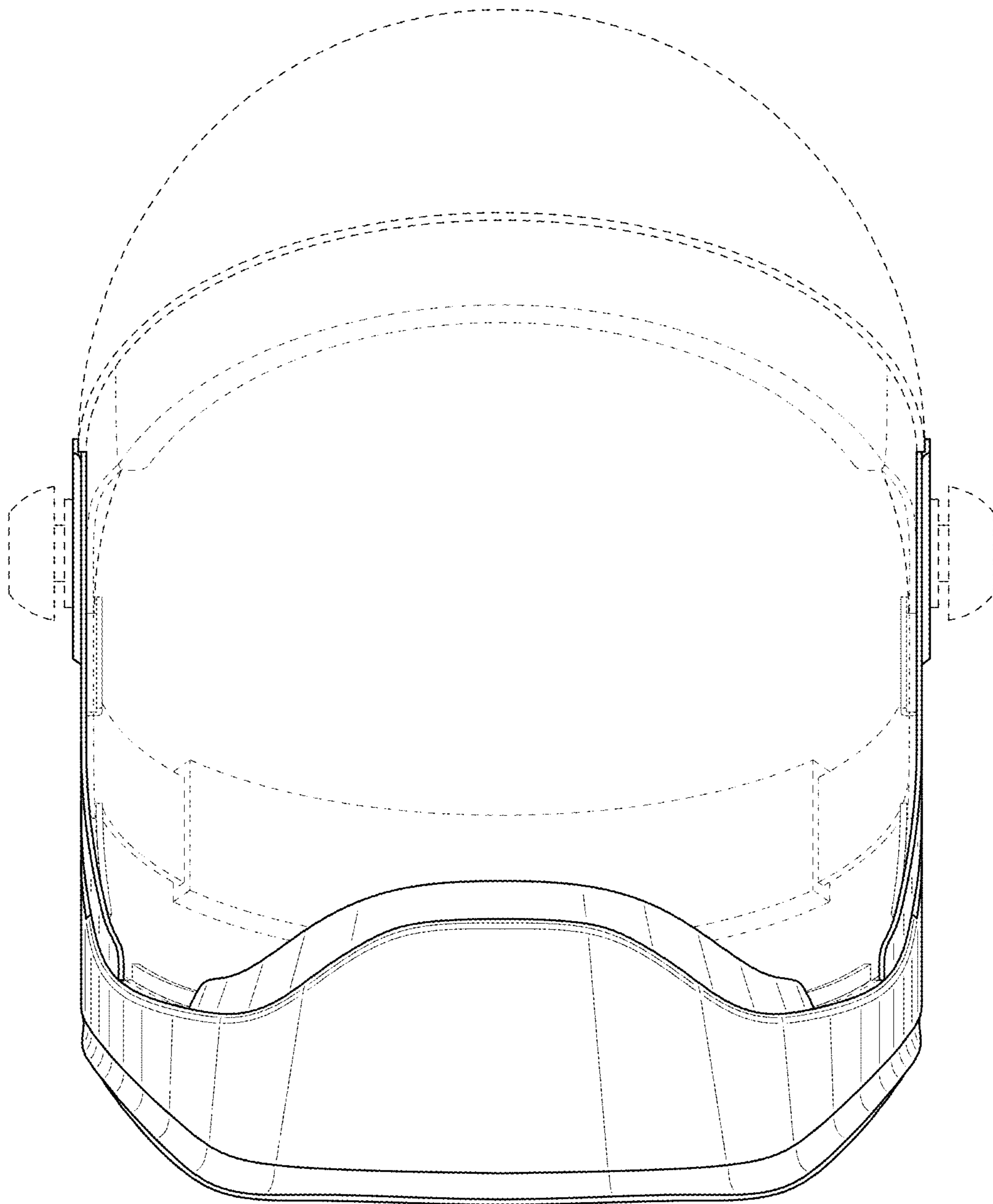


FIG. 11

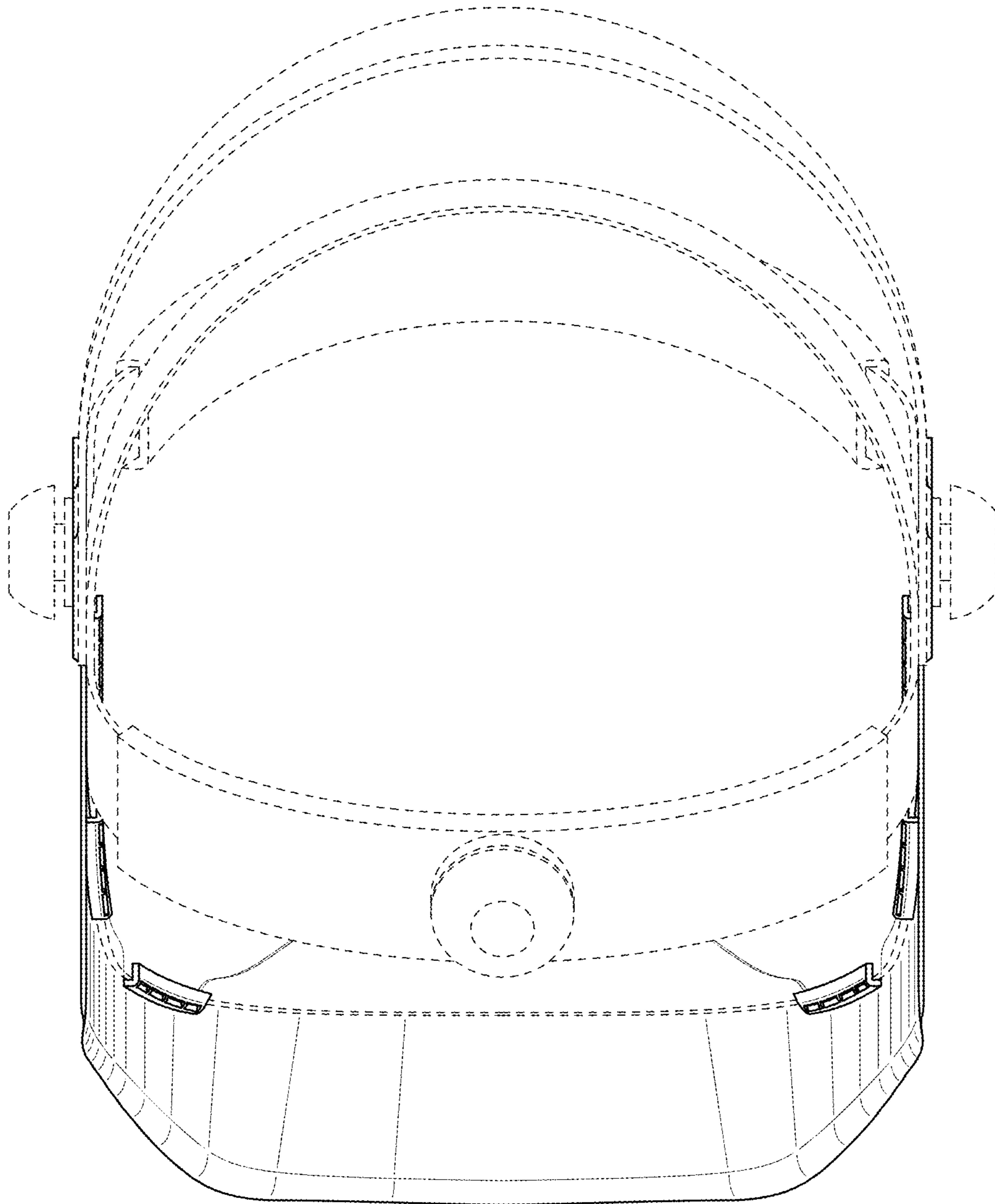


FIG. 12

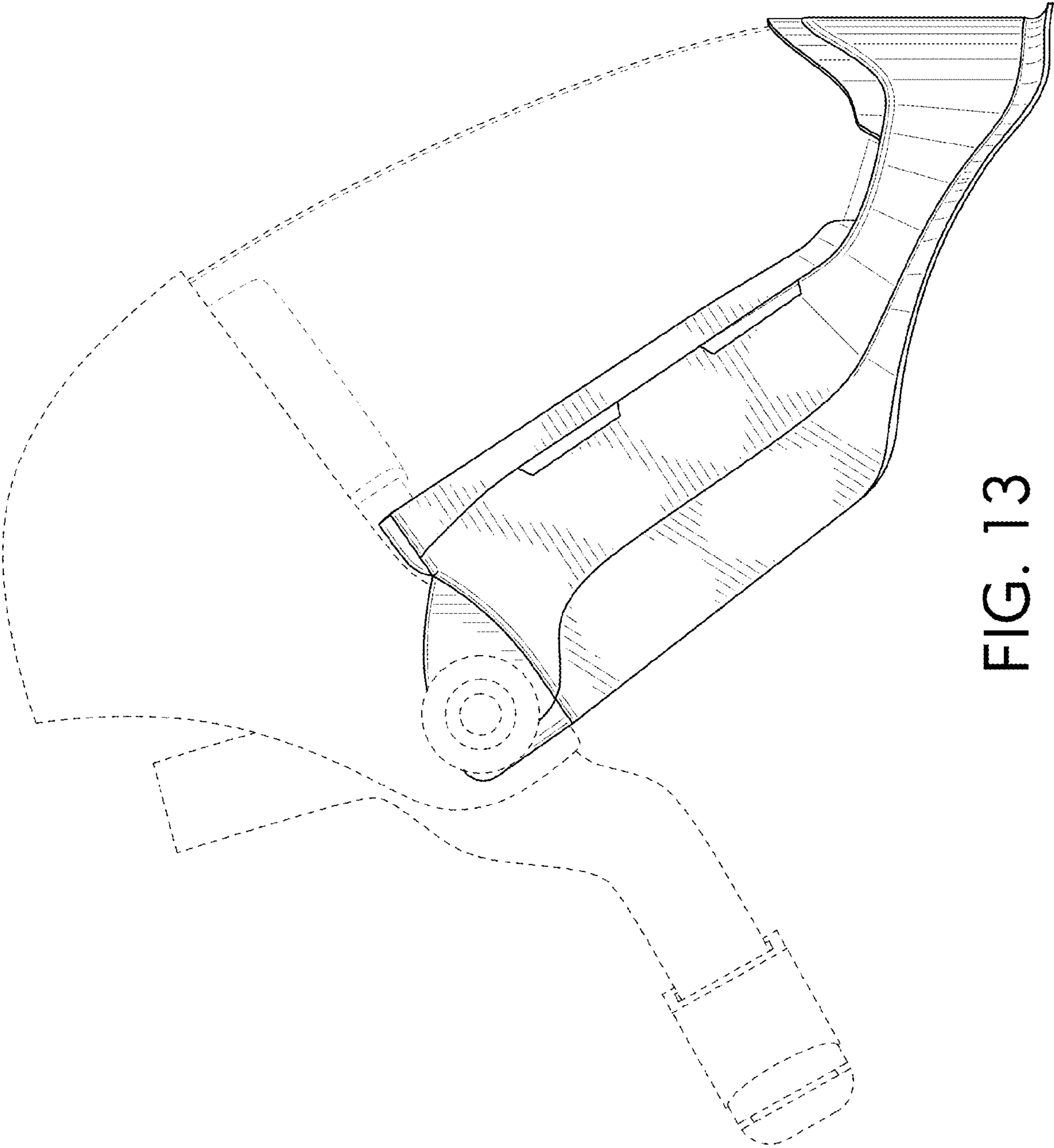


FIG. 13

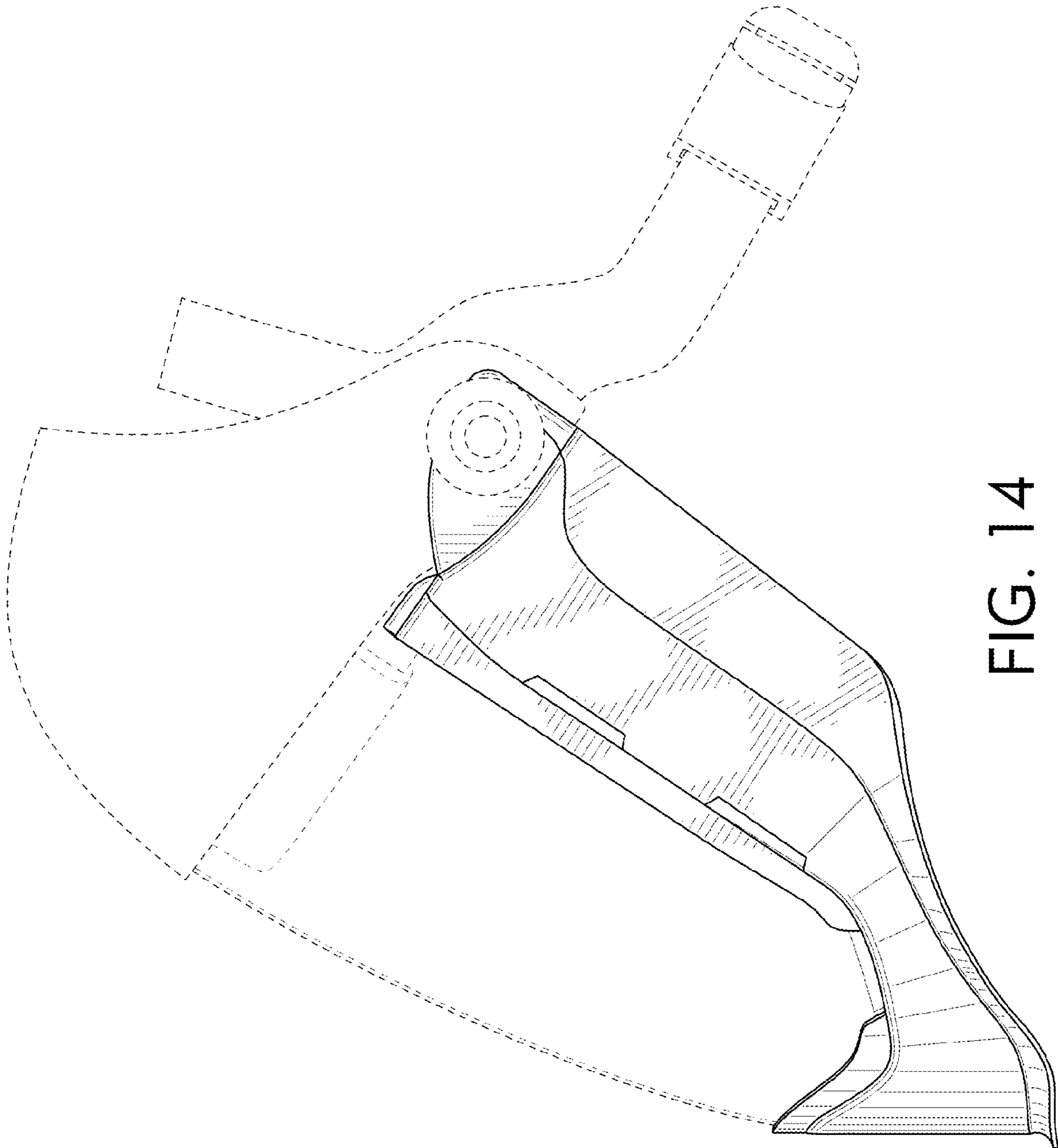


FIG. 14

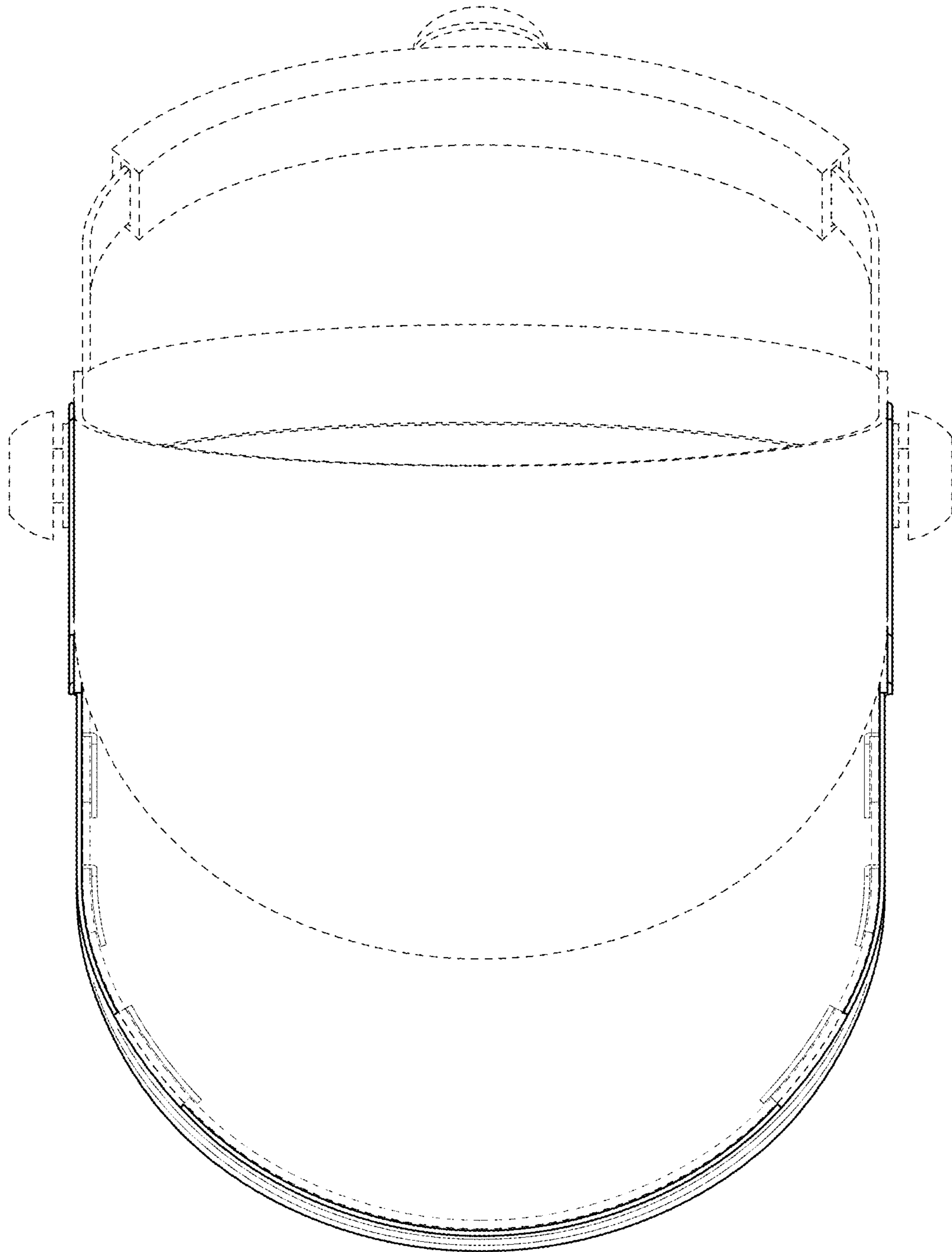


FIG. 15

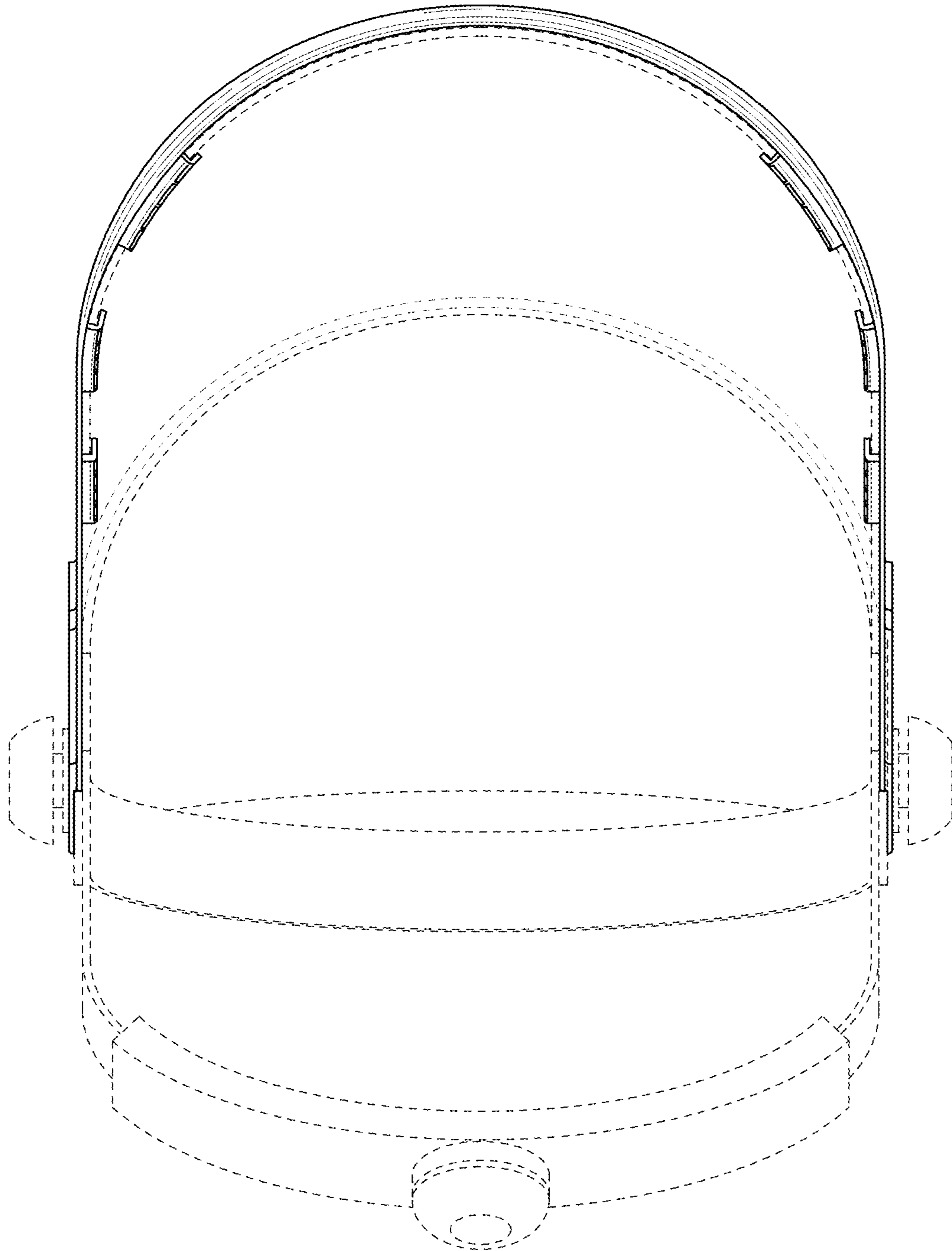


FIG. 16