



US00D931542S

(12) **United States Design Patent**
Williams

(10) **Patent No.:** **US D931,542 S**

(45) **Date of Patent:** **** Sep. 21, 2021**

(54) **WIG STAND**

(71) Applicant: **Anita Williams**, Memphis, TN (US)

(72) Inventor: **Anita Williams**, Memphis, TN (US)

(**) Term: **15 Years**

(21) Appl. No.: **29/699,089**

(22) Filed: **Jul. 23, 2019**

(51) **LOC (13) Cl.** **28-04**

(52) **U.S. Cl.**
USPC **D28/93**

(58) **Field of Classification Search**
USPC D28/93; D20/10; D6/462, 682.1
CPC A45D 44/14; A47F 7/06
See application file for complete search history.

(56) **References Cited**

U.S. PATENT DOCUMENTS

3,602,372	A *	8/1971	Verrecchio	A47F 7/065
					211/100
5,295,588	A *	3/1994	Neirinckx	A47G 25/10
					211/30
5,895,085	A *	4/1999	Miller, Jr.	A47F 7/06
					294/143
D649,714	S *	11/2011	Key	D28/93

8,950,591 B1 * 2/2015 McDowell A45D 44/14
211/13.1

D907,298 S * 1/2021 Williams D28/93
2004/0020507 A1 * 2/2004 Johnson A45D 44/04
132/223

* cited by examiner

Primary Examiner — Zenia I Bennett

(74) *Attorney, Agent, or Firm* — Hulsey P.C.

(57) **CLAIM**

The ornamental design for a wig stand, as shown and described.

DESCRIPTION

FIG. 1 is a perspective view of a wig stand incorporating our new design;

FIG. 2 is a front planar side view thereof;

FIG. 3 is a rear planar view thereof;

FIG. 4 is a left side planar view thereof;

FIG. 5 is a right side planar view thereof;

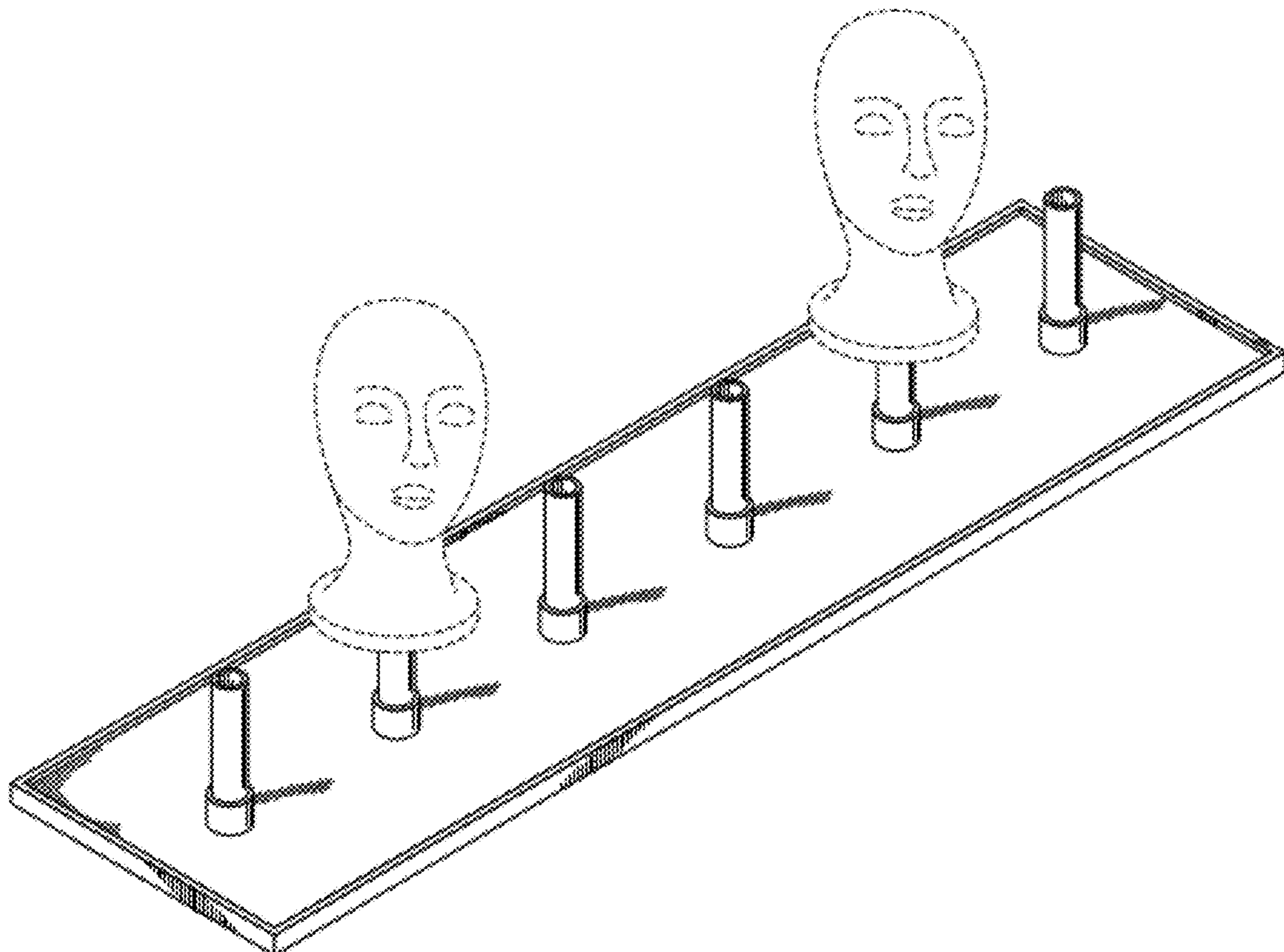
FIG. 6 is a top down planar view thereof;

FIG. 7 is a bottom up planar view thereof; and,

FIG. 8 is a one-quarter elevational view thereof showing our new design in use.

The features of the wig stand shown in phantom lines are not elements of the design of our new invention.

1 Claim, 3 Drawing Sheets



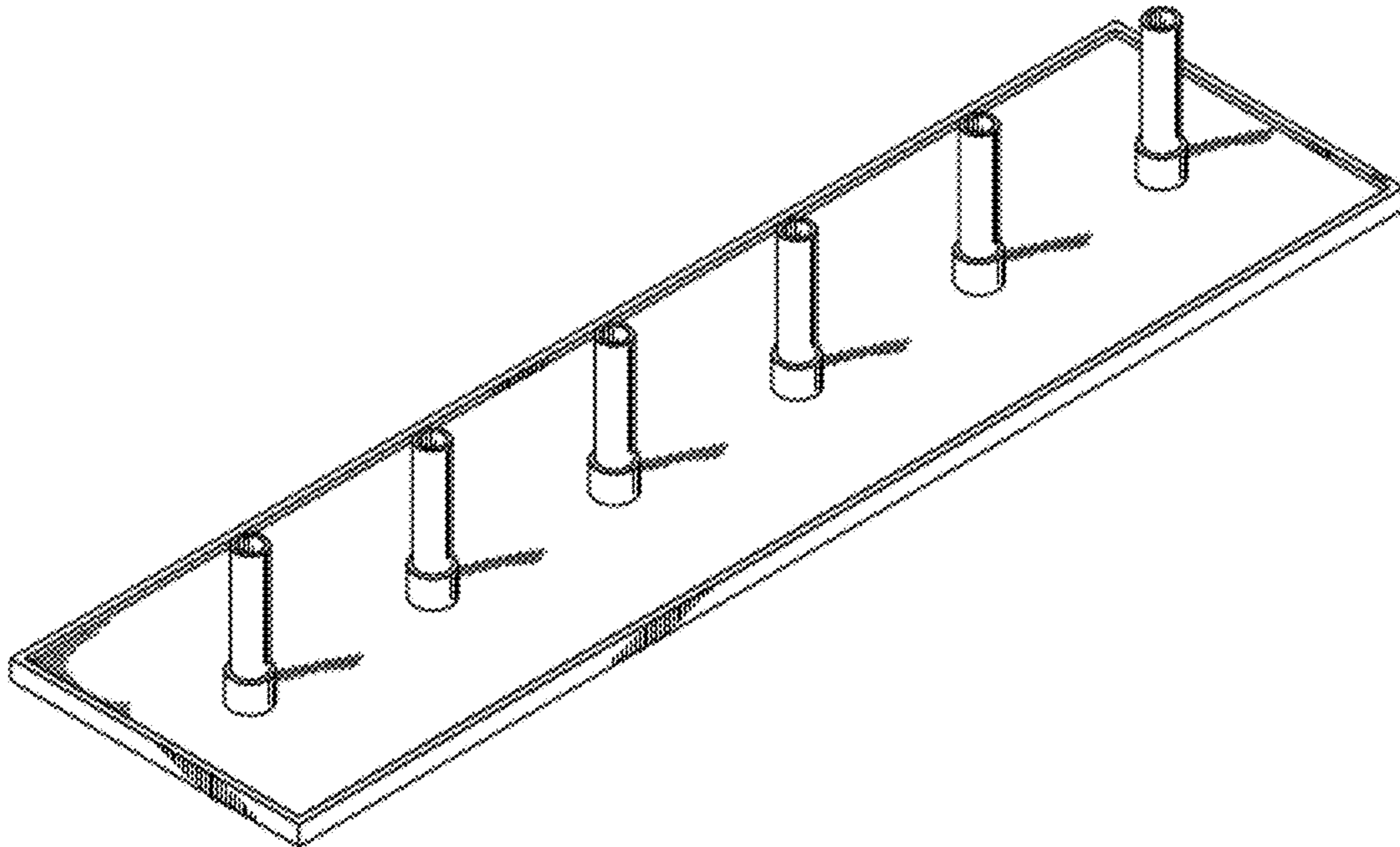


FIG. 1

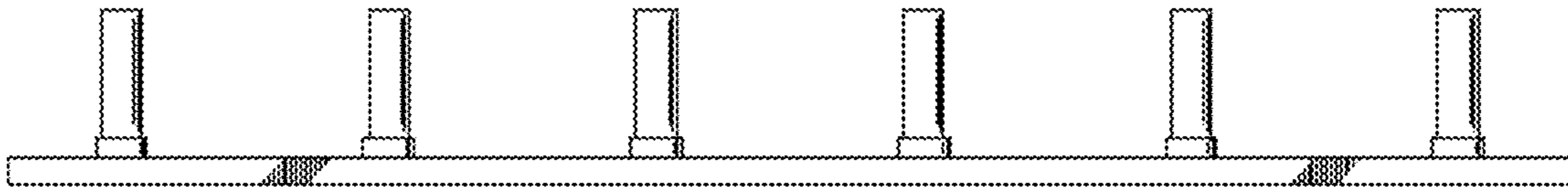


FIG. 2

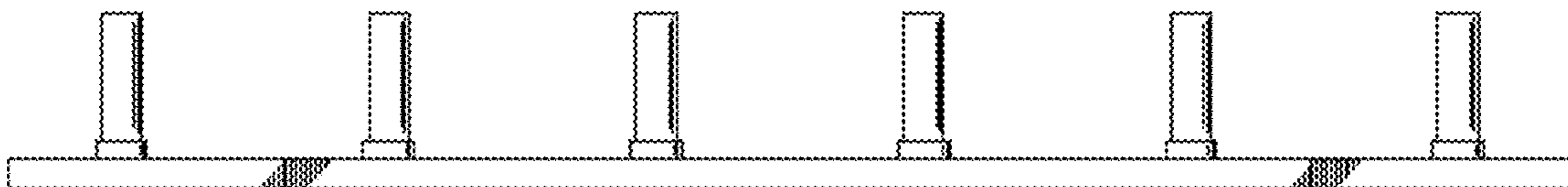


FIG. 3

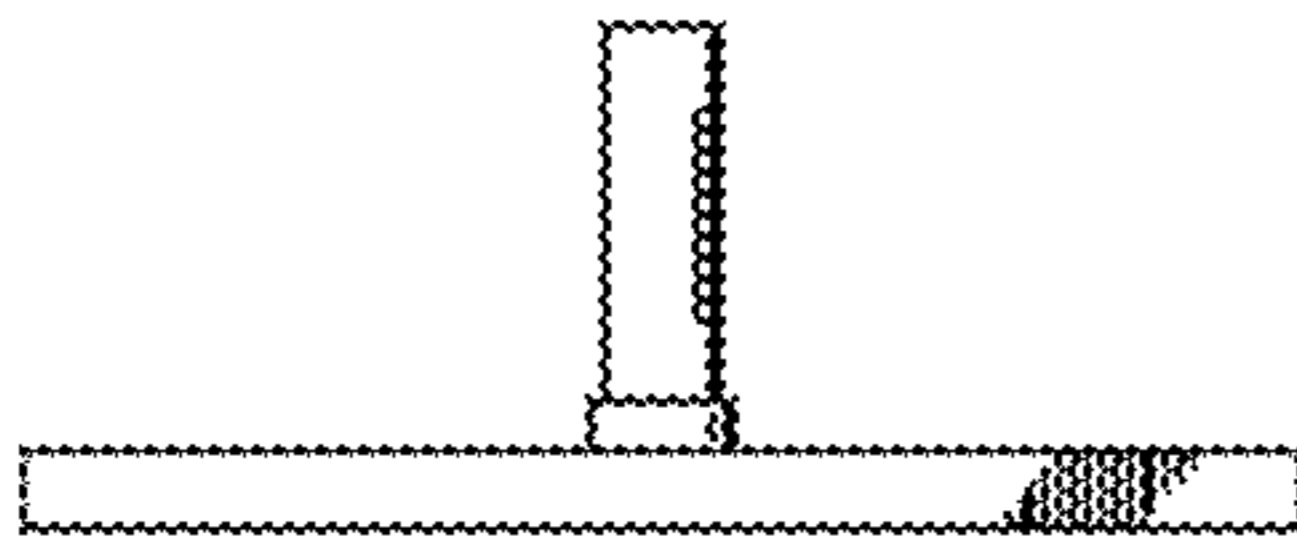


FIG. 4

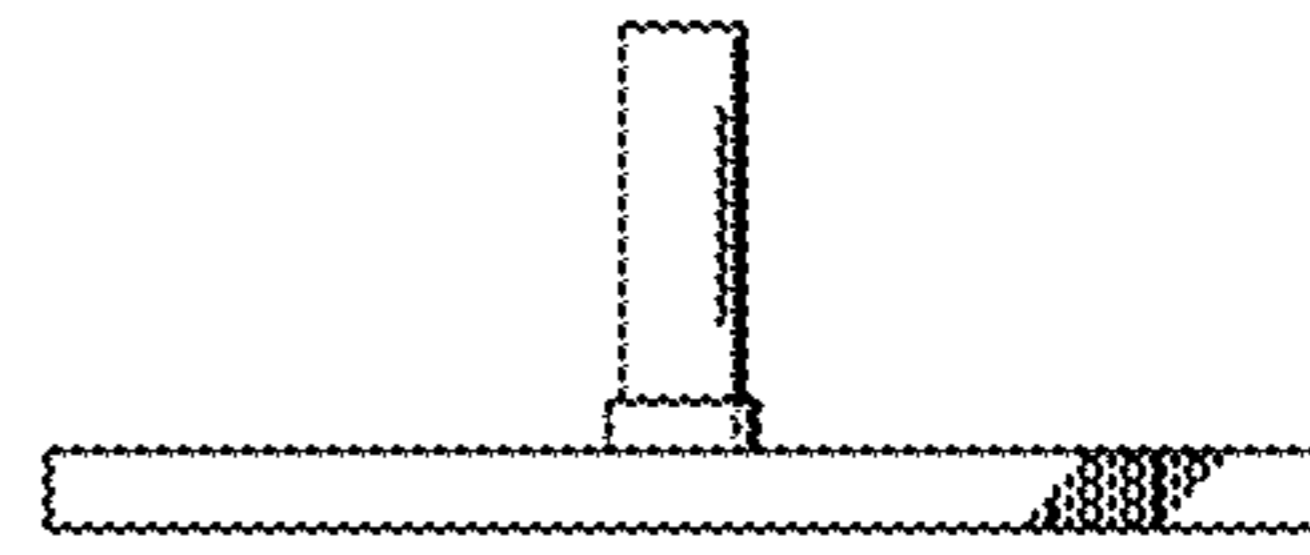


FIG. 5

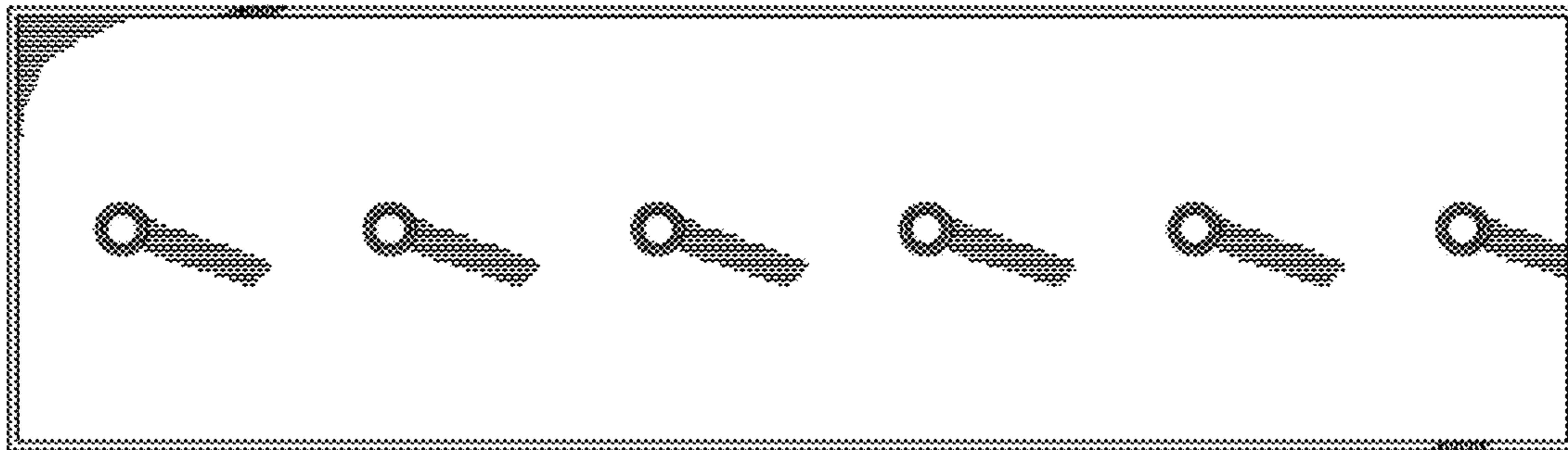


FIG. 6

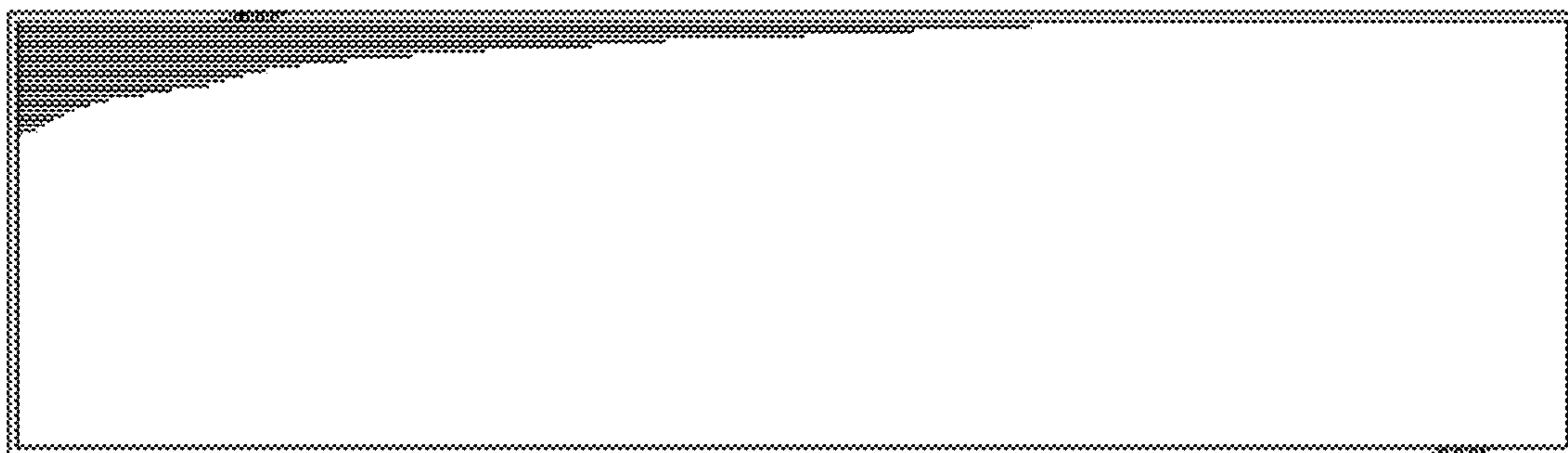


FIG. 7

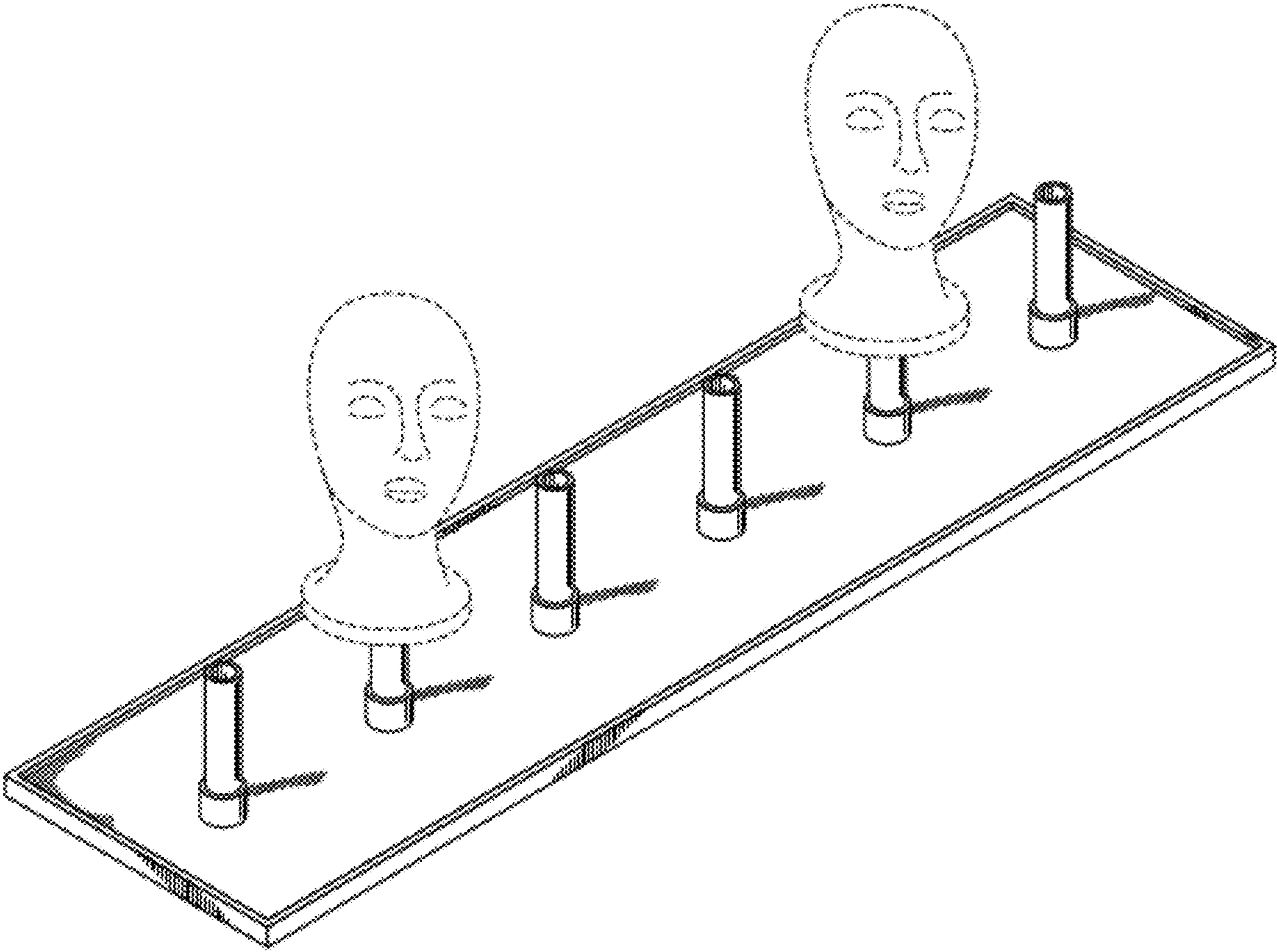


FIG. 8