



US00D931541S

(12) **United States Design Patent** (10) **Patent No.:** **US D931,541 S**
Sanchez (45) **Date of Patent:** **** Sep. 21, 2021**

(54) **APPLICATOR FOR LIP COSMETICS**

D870,376 S * 12/2019 Nakada D28/7
D892,400 S * 8/2020 Nelson D28/7
D917,780 S * 4/2021 Roh D28/7

(71) Applicant: **L'Oreal**, Paris (FR)

(72) Inventor: **Marcel Sanchez**, Clichy (FR)

(73) Assignee: **L'Oreal**, Paris (FR)

(**) Term: **15 Years**

(21) Appl. No.: **29/738,638**

(22) Filed: **Jun. 18, 2020**

(51) **LOC (13) Cl.** **28-03**

(52) **U.S. Cl.**
USPC **D28/85**

(58) **Field of Classification Search**
USPC D28/7, 85, 90, 76, 77, 73, 4; D8/33, 34,
D8/40, 105, 499
CPC A45D 2200/10; A45D 2200/1009; A45D
2200/1063; A45D 33/28; A45D 33/26;
A45D 33/02; A45D 33/06; A45D 33/00;
A45D 40/20; A45D 40/00; A45D 34/00;
A45D 34/04; A45D 34/06
See application file for complete search history.

(56) **References Cited**

U.S. PATENT DOCUMENTS

D394,915 S * 6/1998 Haining D28/7
D417,033 S * 11/1999 Sachs D28/63
D434,525 S * 11/2000 Angeletta D28/7
D527,143 S * 8/2006 Fischer D28/7
D638,989 S * 5/2011 Limongi D28/7
D640,000 S * 6/2011 Limongi D28/7
D640,001 S * 6/2011 Limongi D28/7
D641,930 S * 7/2011 Poletto D28/76
D643,151 S * 8/2011 Limongi D28/7
D735,406 S * 7/2015 Poletto D28/7
D806,314 S * 12/2017 Hamida D28/7
D826,472 S * 8/2018 Pires D28/7
D826,473 S * 8/2018 Pires D28/7

OTHER PUBLICATIONS

Lip Gloss Applicator Lip Brush By: Shenzhen Meiyong Shangpin
Cosmetic Accessories Co., Ltd. found on line May 1, 2021 https://www.alibaba.com/product-detail/In-Stock-Wholesale-Silicone-Tip-Lip_60721575495.html May 19, 2020.*

* cited by examiner

Primary Examiner — Marissa J Cash

Assistant Examiner — Rebecca Tsehaye

(74) *Attorney, Agent, or Firm* — Edell, Shapiro & Finnan,
LLC

(57) **CLAIM**

The ornamental design for an applicator for lip cosmetics, as shown and described.

DESCRIPTION

FIG. 1 is a top perspective view of an applicator for lip cosmetics.

FIG. 2 is a bottom perspective view of the applicator for lip cosmetics of FIG. 1.

FIG. 3 is a front elevation view of the applicator for lip cosmetics of FIG. 1.

FIG. 4 is a rear elevation view of the applicator for lip cosmetics of FIG. 1.

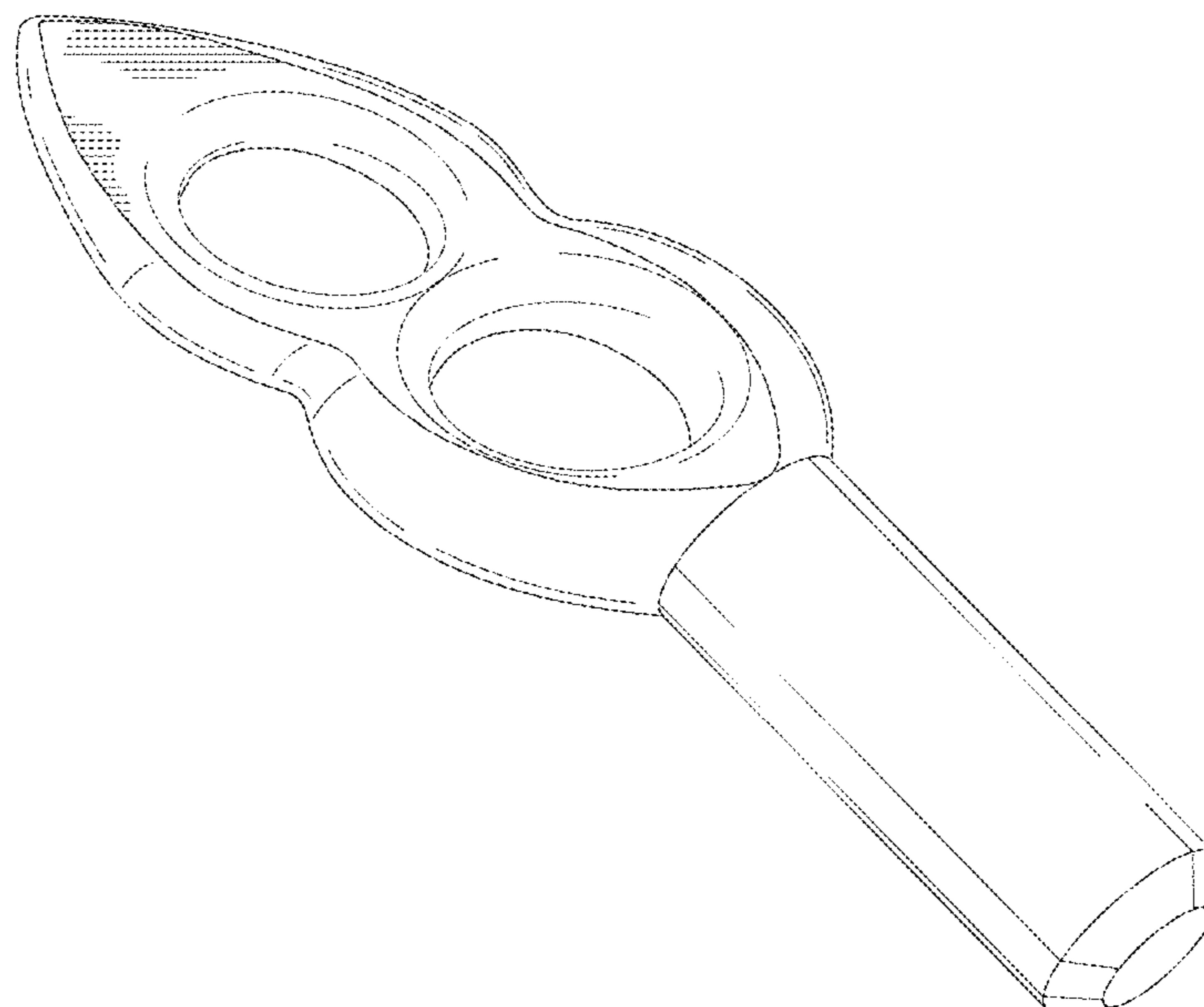
FIG. 5 is a right side elevation view of the applicator for lip cosmetics of FIG. 1.

FIG. 6 is a left side elevation view of the applicator for lip cosmetics of FIG. 1.

FIG. 7 is a top plan view of the applicator for lip cosmetics of FIG. 1; and,

FIG. 8 is a bottom plan view of the applicator for lip cosmetics of FIG. 1.

1 Claim, 4 Drawing Sheets



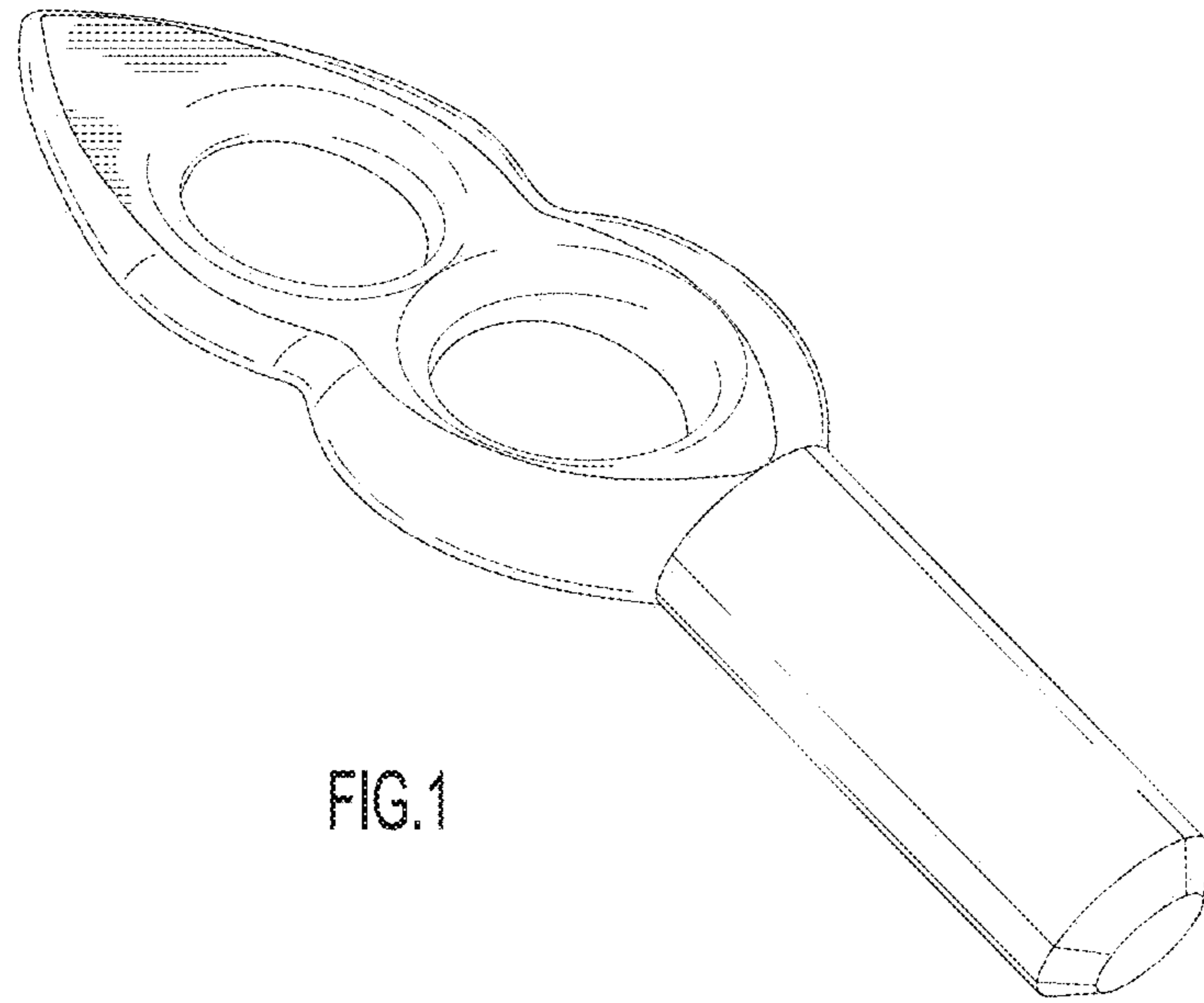


FIG.1

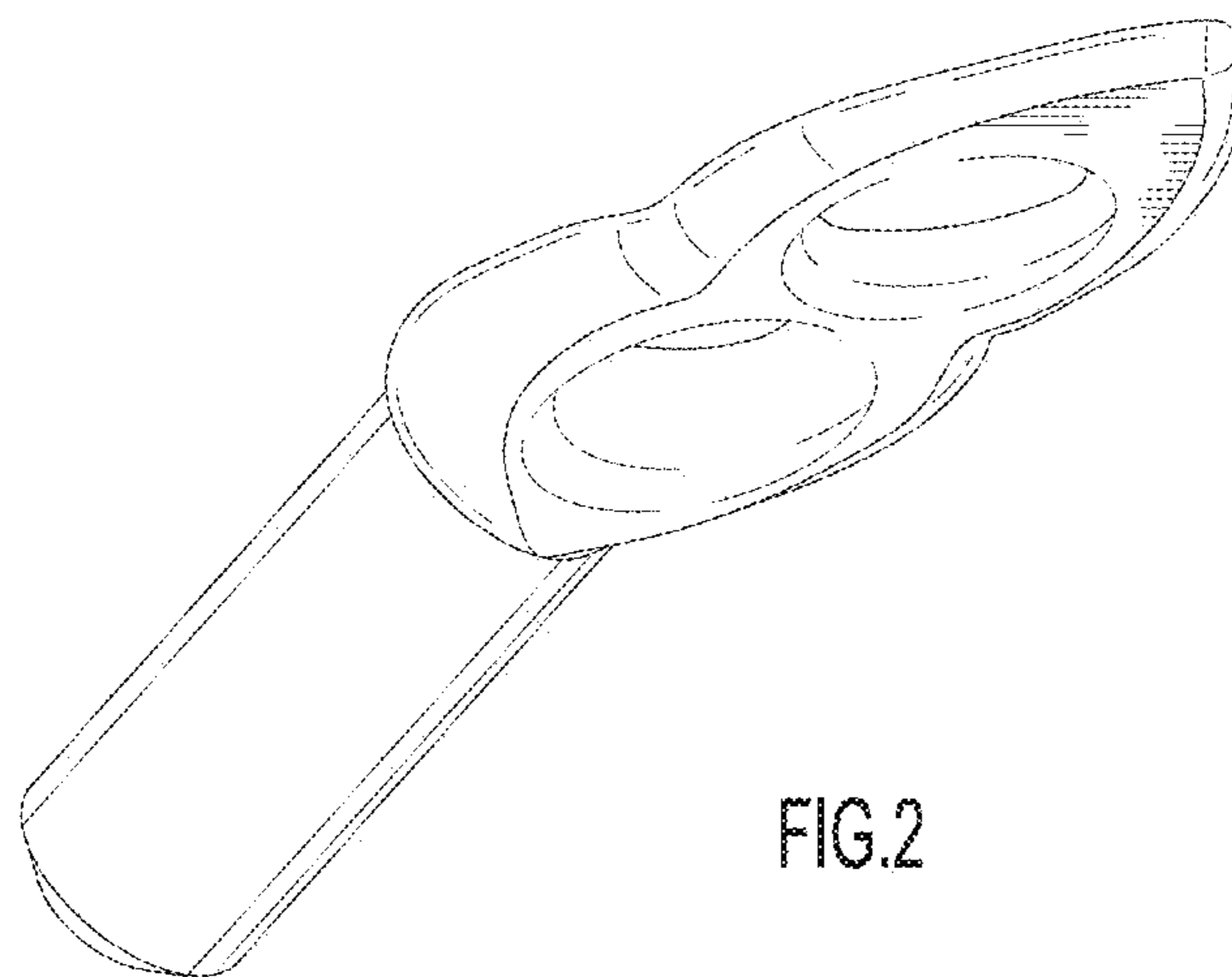


FIG.2

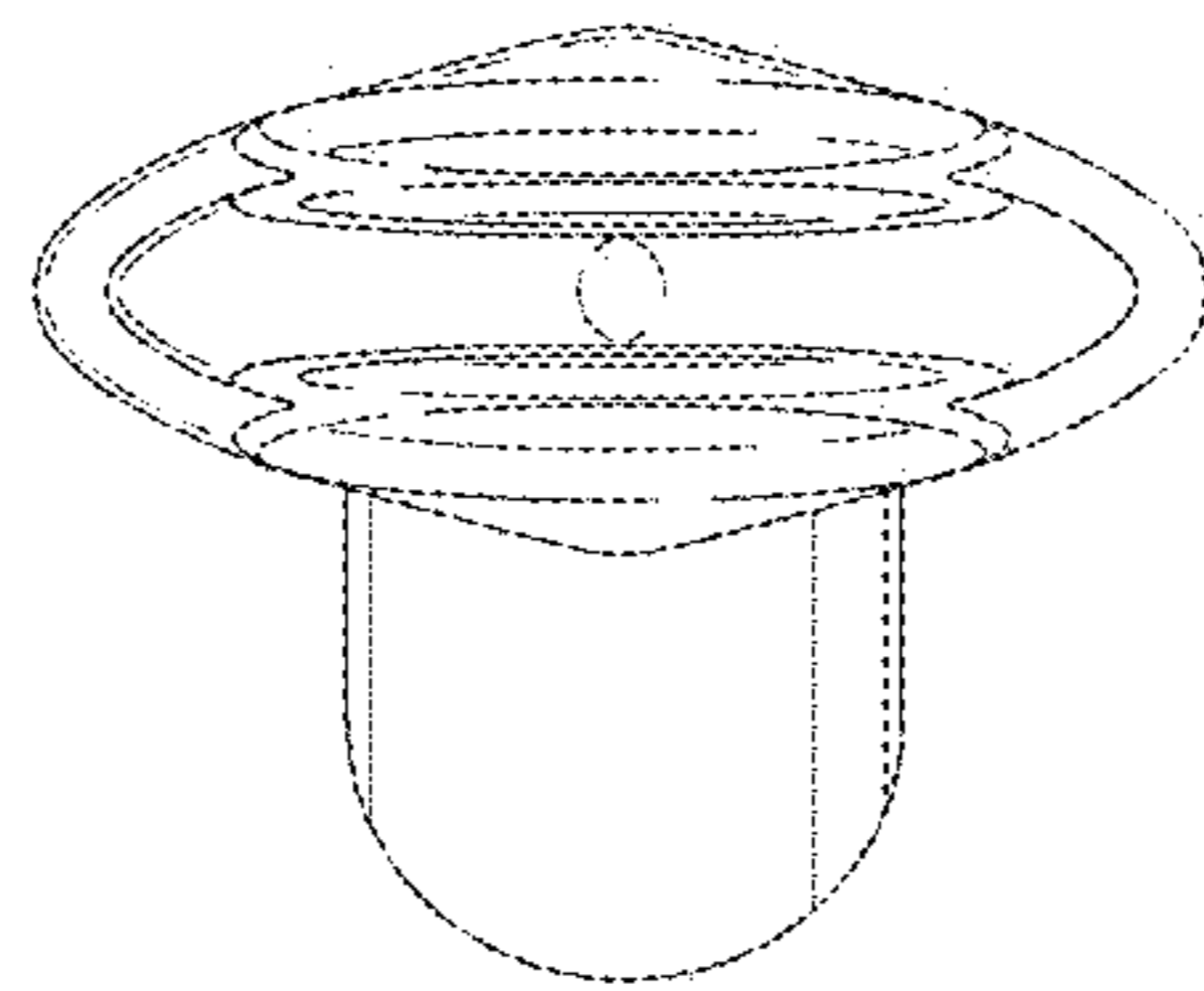


FIG.3

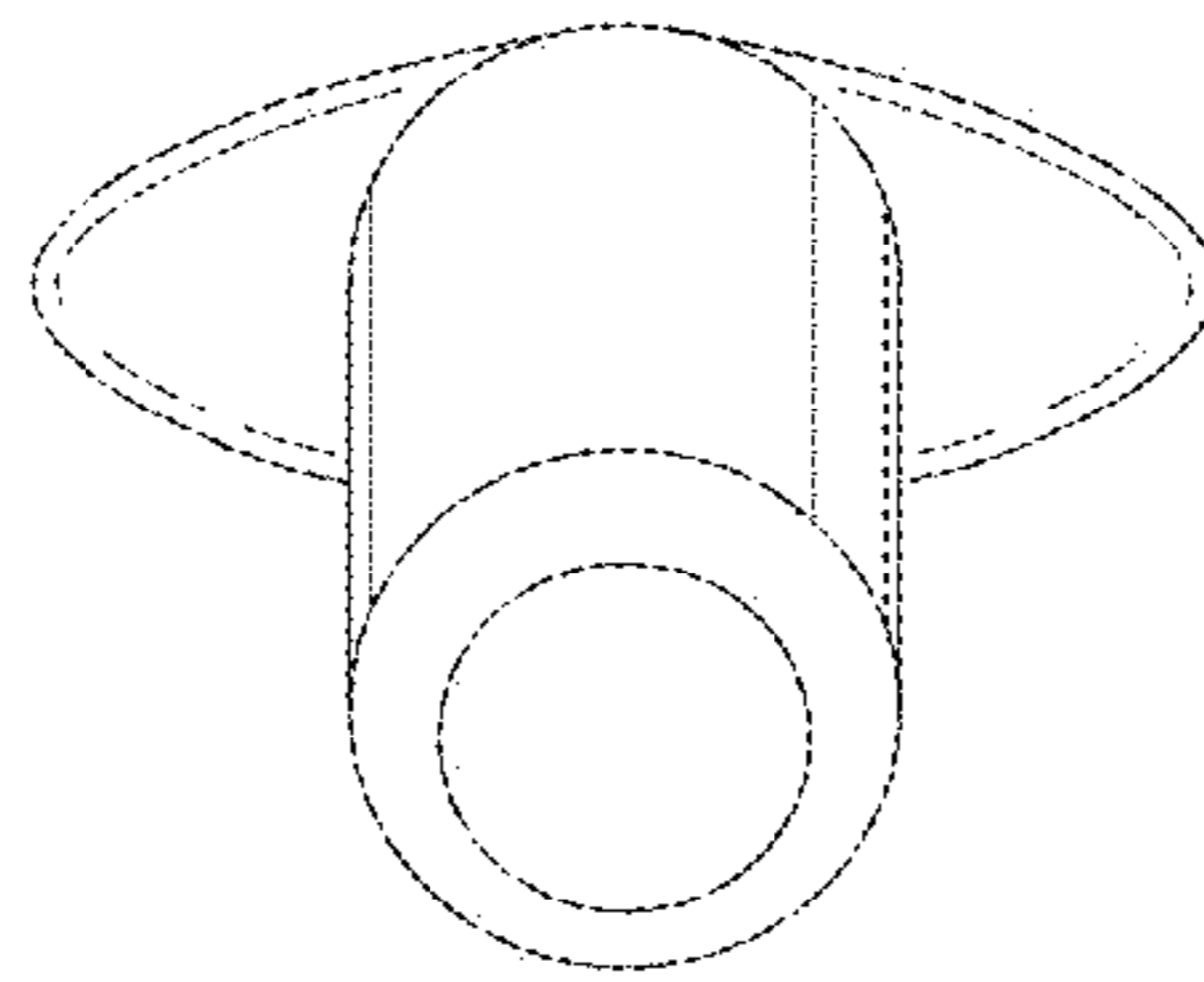


FIG.4

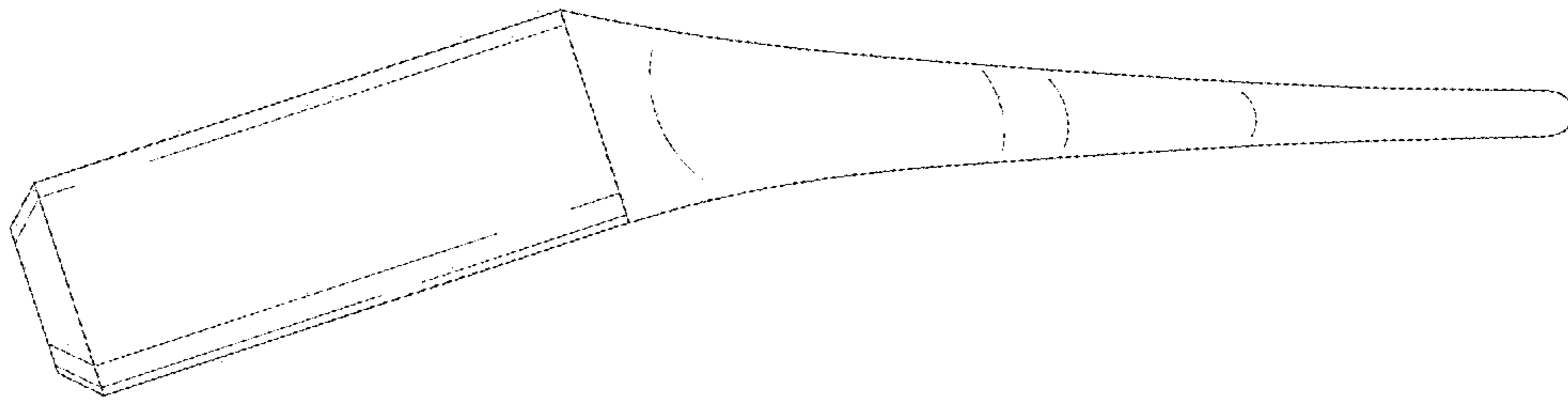


FIG. 5

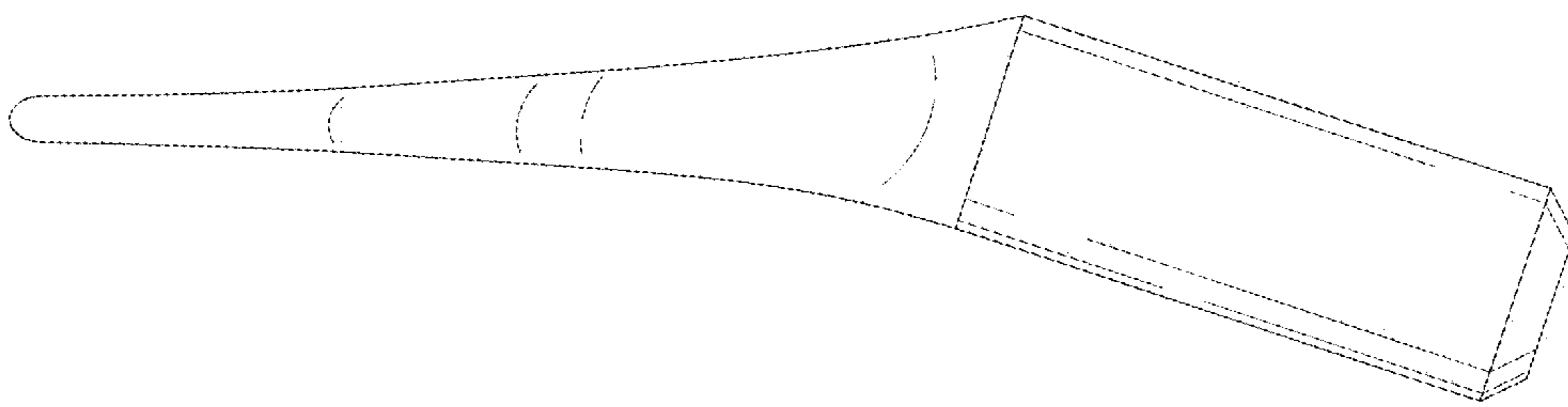


FIG. 6

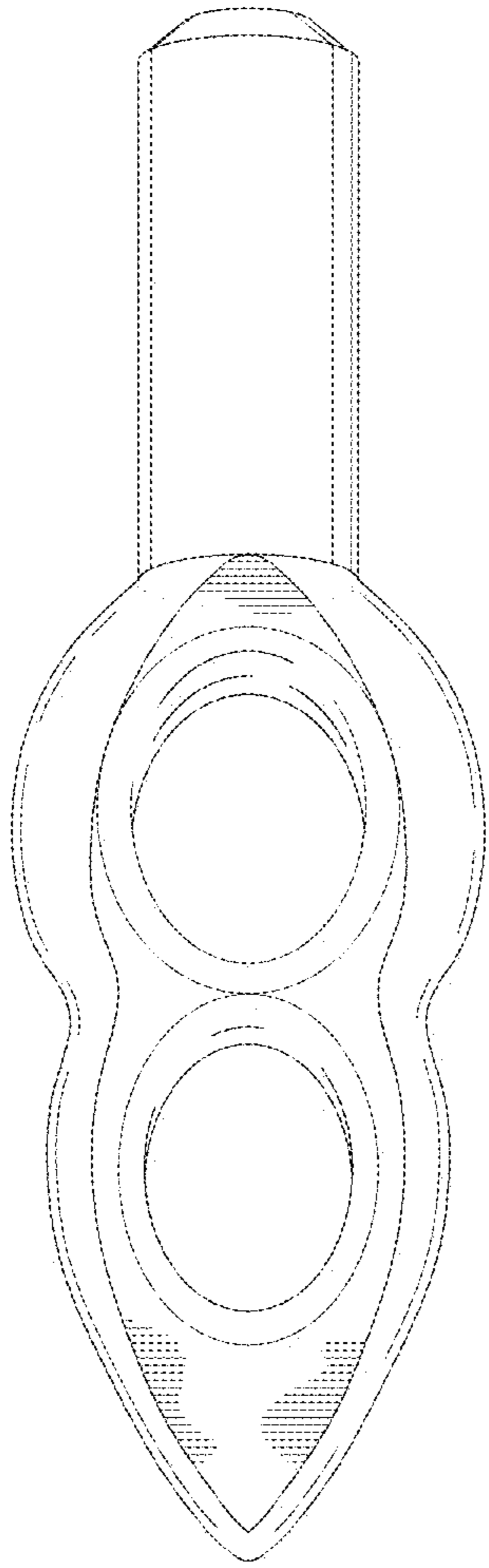


FIG.7

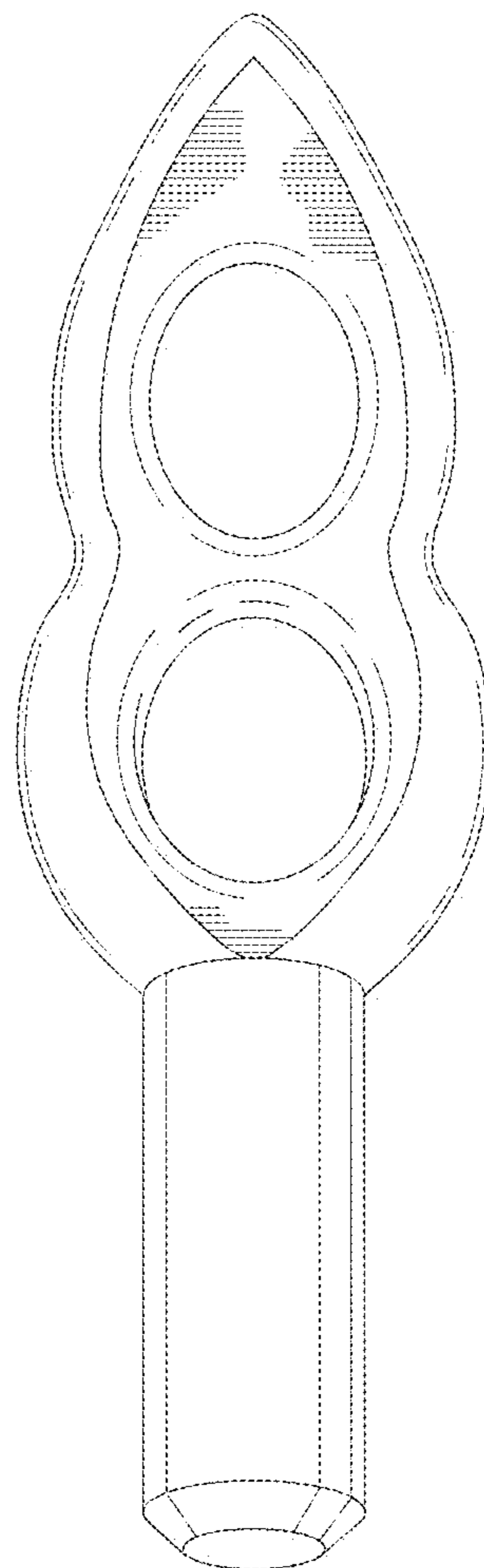


FIG.8