



US00D931539S

(12) **United States Design Patent** (10) **Patent No.:** **US D931,539 S**  
**Marquez et al.** (45) **Date of Patent:** **\*\* Sep. 21, 2021**

(54) **TRIMMER**

(71) Applicant: **KONINKLIJKE PHILIPS N.V.**,  
Eindhoven (NL)

(72) Inventors: **Lacides Manuel Marquez**, Almere  
Buiten (NL); **Pascal Kuijpers**,  
Amsterdam (NL); **Maren Baake**,  
Amsterdam (NL); **Ulrike Herremans**,  
Eindhoven (NL)

(73) Assignee: **KONINKLIJKE PHILIPS N.V.**,  
Eindhoven (NL)

(\*\*) Term: **15 Years**

(21) Appl. No.: **29/711,426**

(22) Filed: **Oct. 31, 2019**

(30) **Foreign Application Priority Data**

May 2, 2019 (EM) ..... 006414132

(51) **LOC (13) Cl.** ..... **28-03**

(52) **U.S. Cl.**  
USPC ..... **D28/53**

(58) **Field of Classification Search**  
USPC ..... D28/49-54  
CPC .. B26B 19/38-3826; B26B 19/384-48; B26B  
19/12; B26B 19/20-24; B26B 19/00-107  
See application file for complete search history.

(56) **References Cited**

**U.S. PATENT DOCUMENTS**

D185,170 S \* 5/1959 Peters ..... D28/54  
D286,454 S \* 10/1986 Stephens ..... D28/54  
(Continued)

*Primary Examiner* — Jennifer Rivard

(57) **CLAIM**

The ornamental design for a trimmer, as shown and described.

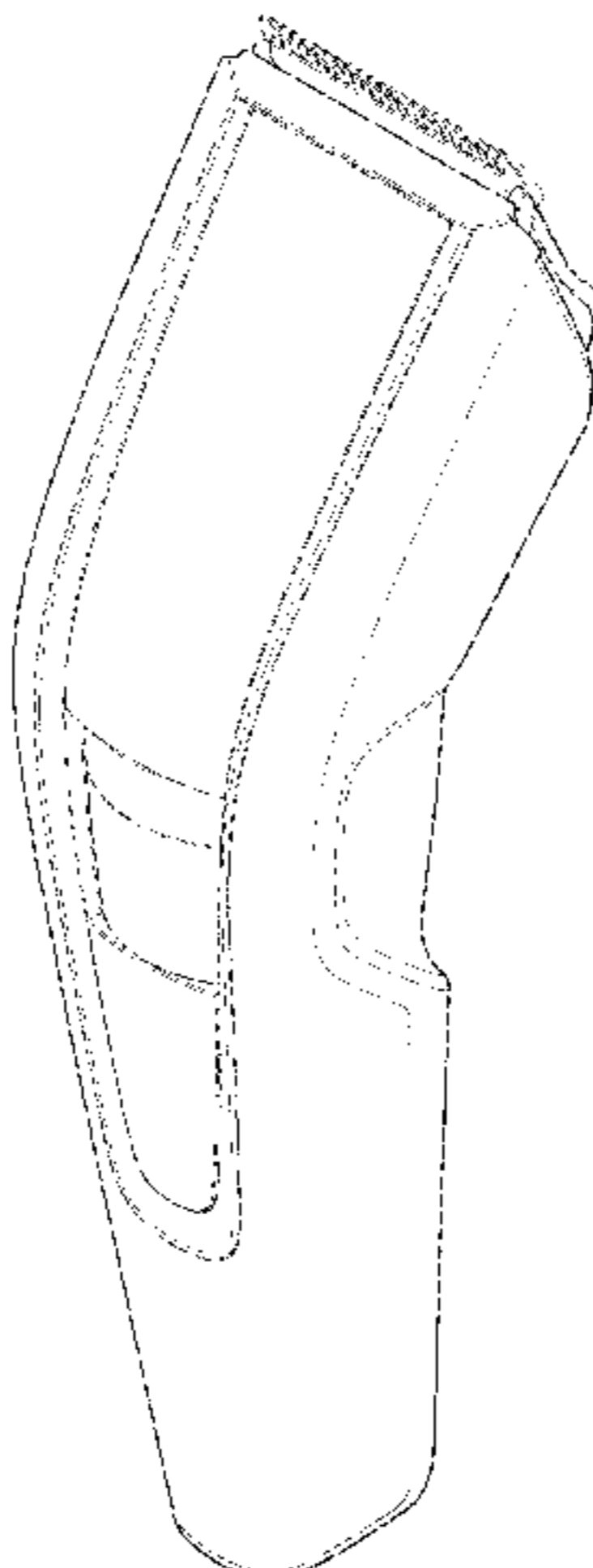
**DESCRIPTION**

FIG. 1 is a perspective view showing the first embodiment of our design;

FIG. 2 is a front elevational view thereof;  
 FIG. 3 is a rear elevational view thereof;  
 FIG. 4 is a right side elevational view thereof;  
 FIG. 5 is a left side elevational view thereof;  
 FIG. 6 is a top plan view thereof;  
 FIG. 7 is a bottom plan view thereof;  
 FIG. 8 is a perspective view showing the second embodiment of our design;  
 FIG. 9 is a front elevational view thereof;  
 FIG. 10 is a rear elevational view thereof;  
 FIG. 11 is a right side elevational view thereof;  
 FIG. 12 is a left side elevational view thereof;  
 FIG. 13 is a top plan view thereof;  
 FIG. 14 is a bottom plan view thereof;  
 FIG. 15 is a perspective view showing the third embodiment of our design;  
 FIG. 16 is a front elevational view thereof;  
 FIG. 17 is a rear elevational view thereof;  
 FIG. 18 is a right side elevational view thereof;  
 FIG. 19 is a left side elevational view thereof;  
 FIG. 20 is a top plan view thereof;  
 FIG. 21 is a bottom plan view thereof;  
 FIG. 22 is a perspective view showing the fourth embodiment of our design;  
 FIG. 23 is a front elevational view thereof;  
 FIG. 24 is a rear elevational view thereof;  
 FIG. 25 is a right side elevational view thereof;  
 FIG. 26 is a left side elevational view thereof;  
 FIG. 27 is a top plan view thereof; and,  
 FIG. 28 is a bottom plan view thereof.

The portions of the trimmer shown in broken lines are included for the purpose of illustrating unclaimed portions of the trimmer and form no part of the claimed design.

**1 Claim, 24 Drawing Sheets**



(56)

## References Cited

## U.S. PATENT DOCUMENTS

5,937,526 A \* 8/1999 Wahl ..... B26B 19/20  
30/201  
D524,487 S \* 7/2006 Seki ..... D28/54  
D558,400 S \* 12/2007 Micinilio ..... D28/54  
D559,456 S \* 1/2008 Melton ..... D28/54  
D565,793 S \* 4/2008 Wallace ..... D28/54  
D637,760 S \* 5/2011 Tasar ..... D28/53  
D754,400 S \* 4/2016 Andersson ..... D28/54  
9,434,078 B2 \* 9/2016 Julemont ..... B26B 19/20  
D776,349 S \* 1/2017 Skye ..... D28/54  
D790,769 S \* 6/2017 Drori ..... D28/54  
D813,459 S \* 3/2018 Sinnott ..... D28/54  
10,029,377 B2 \* 7/2018 Zijlstra ..... B26B 19/3846  
10,293,500 B1 \* 5/2019 Baker ..... B26B 19/20  
D867,662 S \* 11/2019 Cociffi ..... D28/53  
D869,091 S \* 12/2019 Zhang ..... D28/53  
D869,769 S \* 12/2019 Zhang ..... D28/53  
D870,383 S \* 12/2019 Zhang ..... D28/53  
D872,366 S \* 1/2020 Cociffi ..... D28/53  
D878,679 S \* 3/2020 Zhang ..... D28/53  
D879,376 S \* 3/2020 Zhang ..... D28/53  
D880,768 S \* 4/2020 Zhang ..... D28/53  
D881,471 S \* 4/2020 Zhang ..... D28/54  
D891,702 S \* 7/2020 Sanders ..... D28/54  
D893,804 S \* 8/2020 Zhang ..... D28/53  
2017/0305020 A1 \* 10/2017 Darwinkel ..... B26B 19/3886  
2018/0222068 A1 \* 8/2018 Halmut ..... B26B 19/44  
2019/0009418 A1 \* 1/2019 Baltussen ..... B26B 19/3806

\* cited by examiner

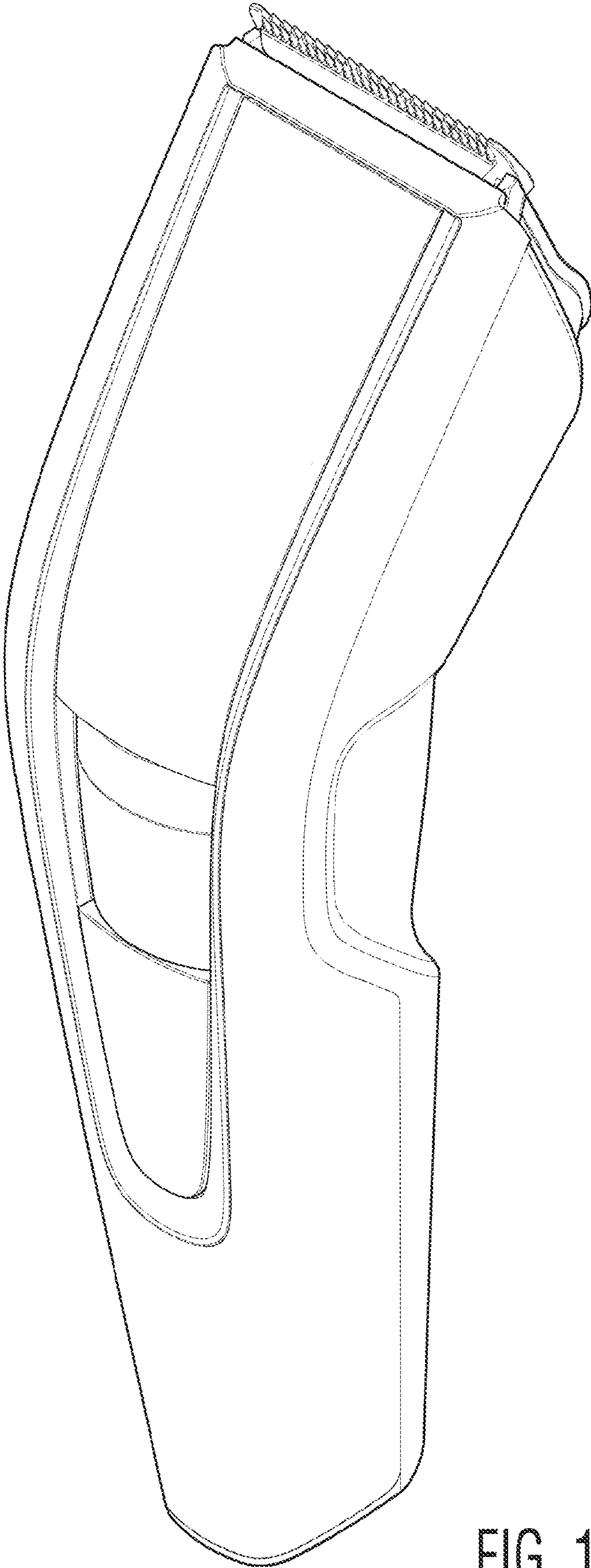


FIG. 1

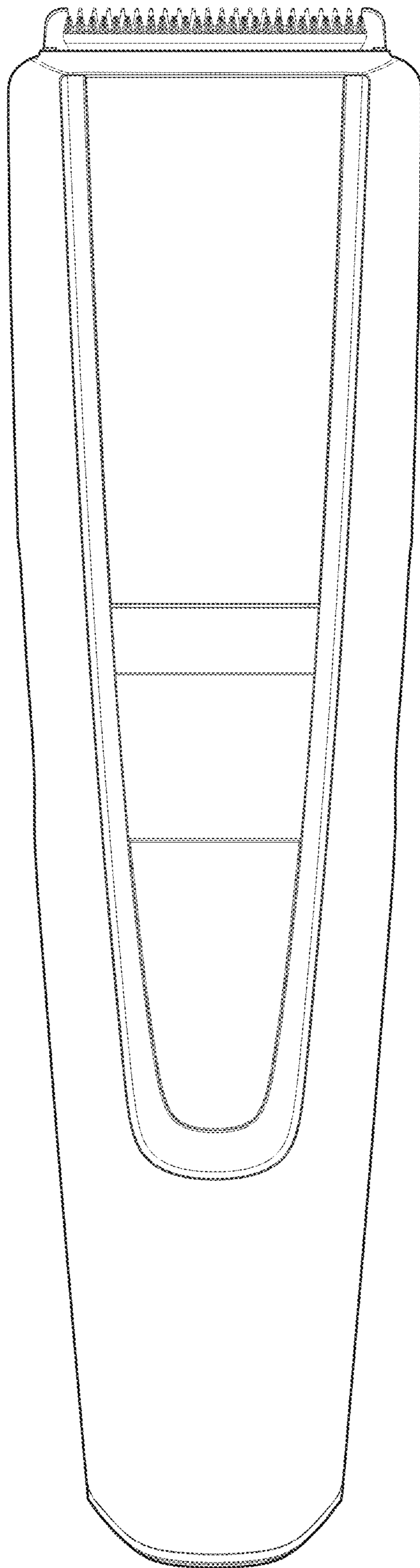


FIG. 2

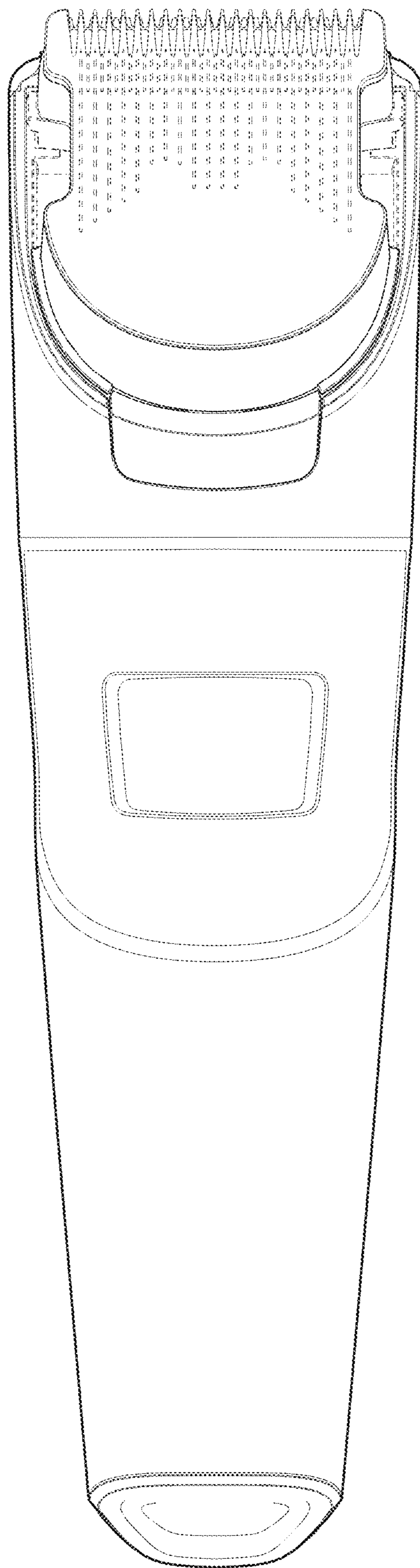


FIG. 3

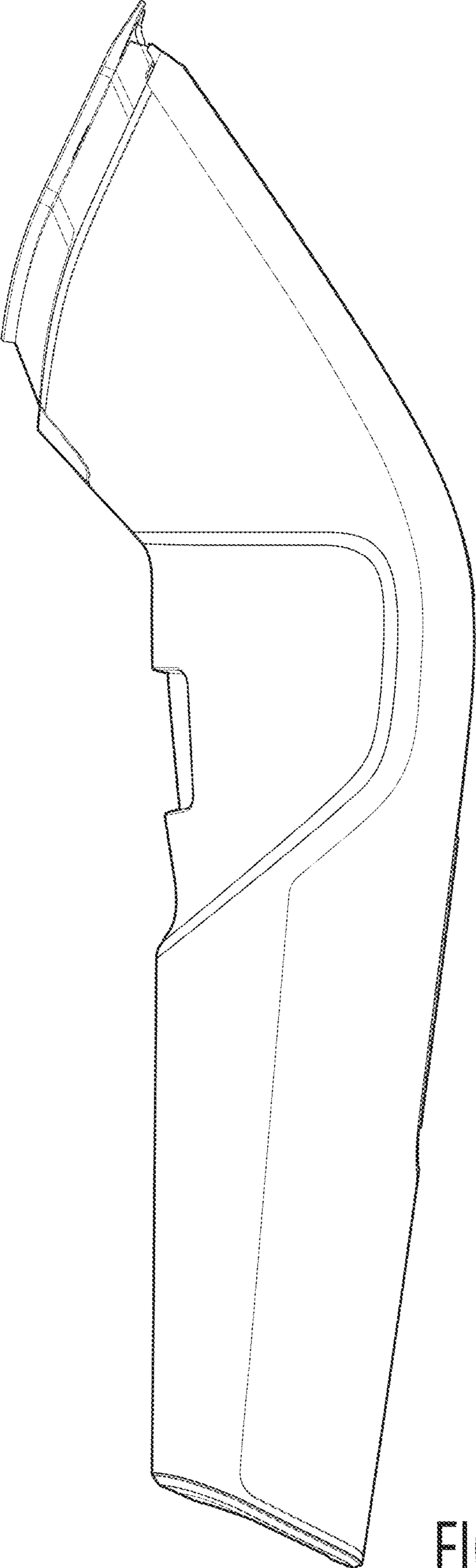


FIG. 4

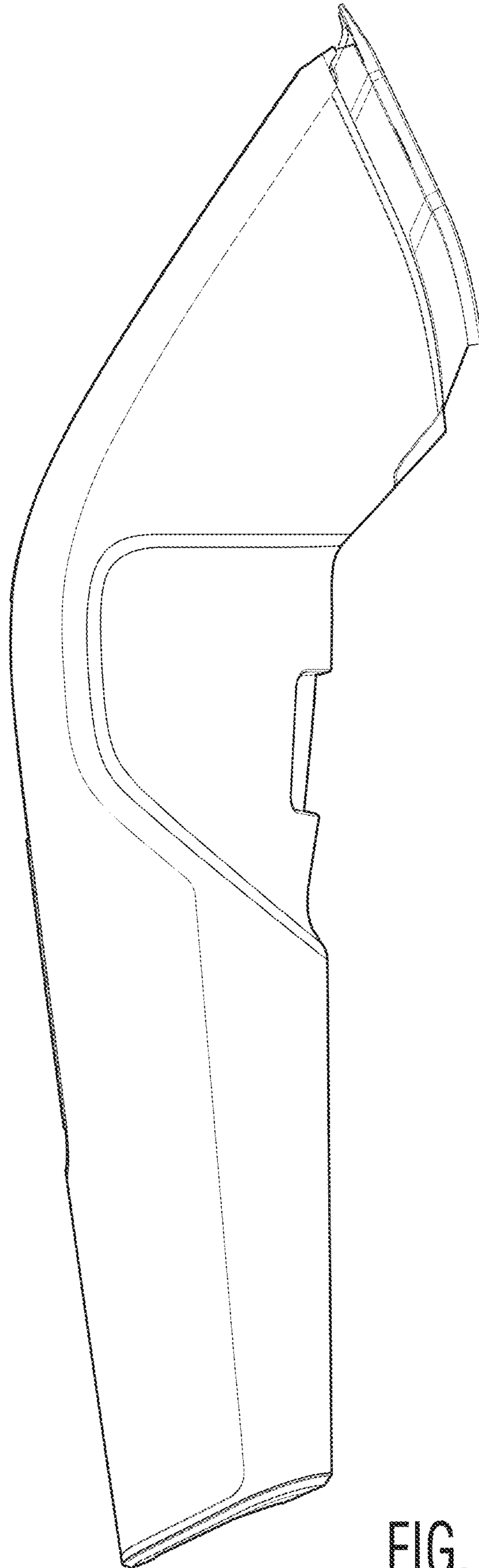


FIG. 5

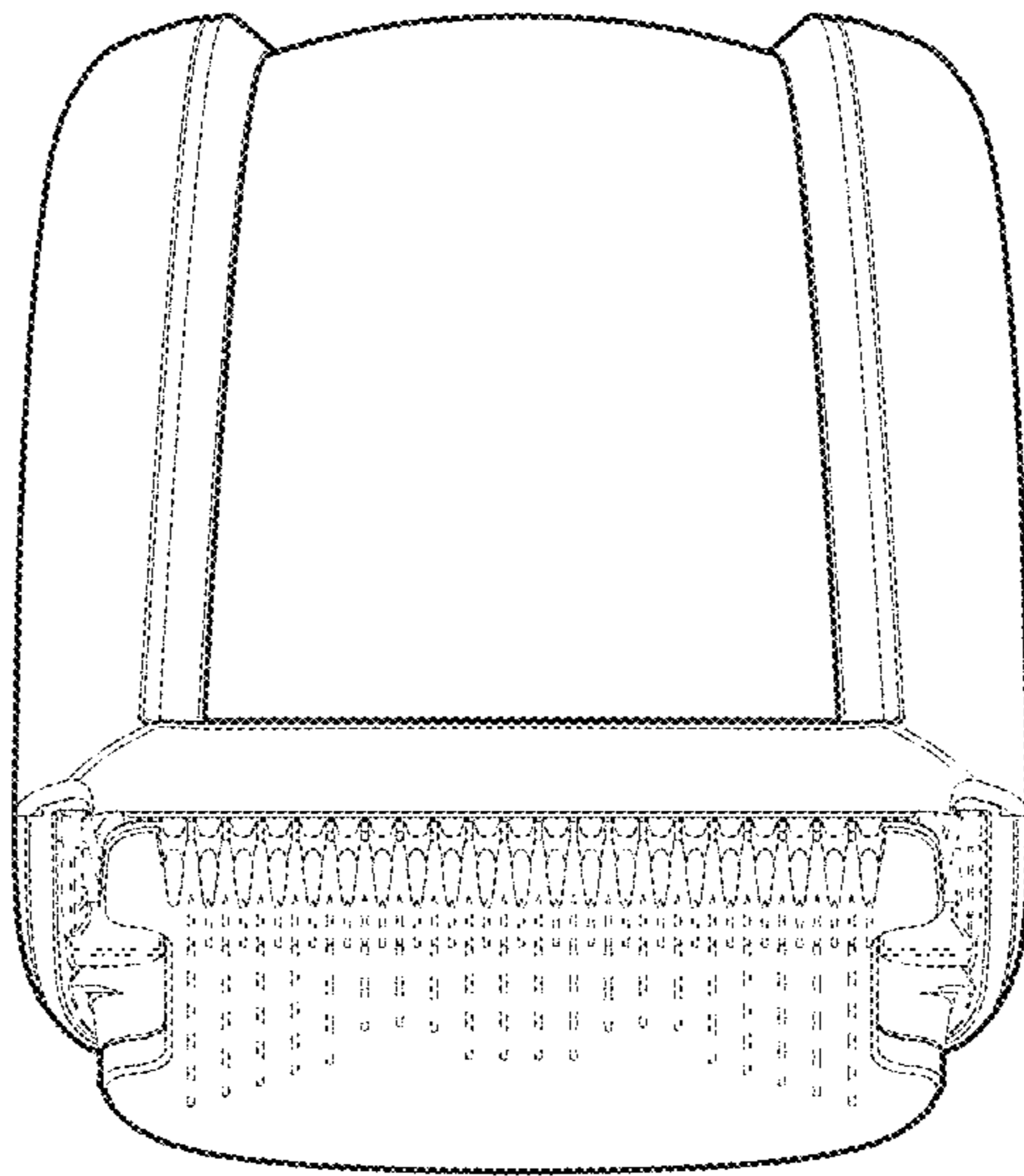


FIG. 6

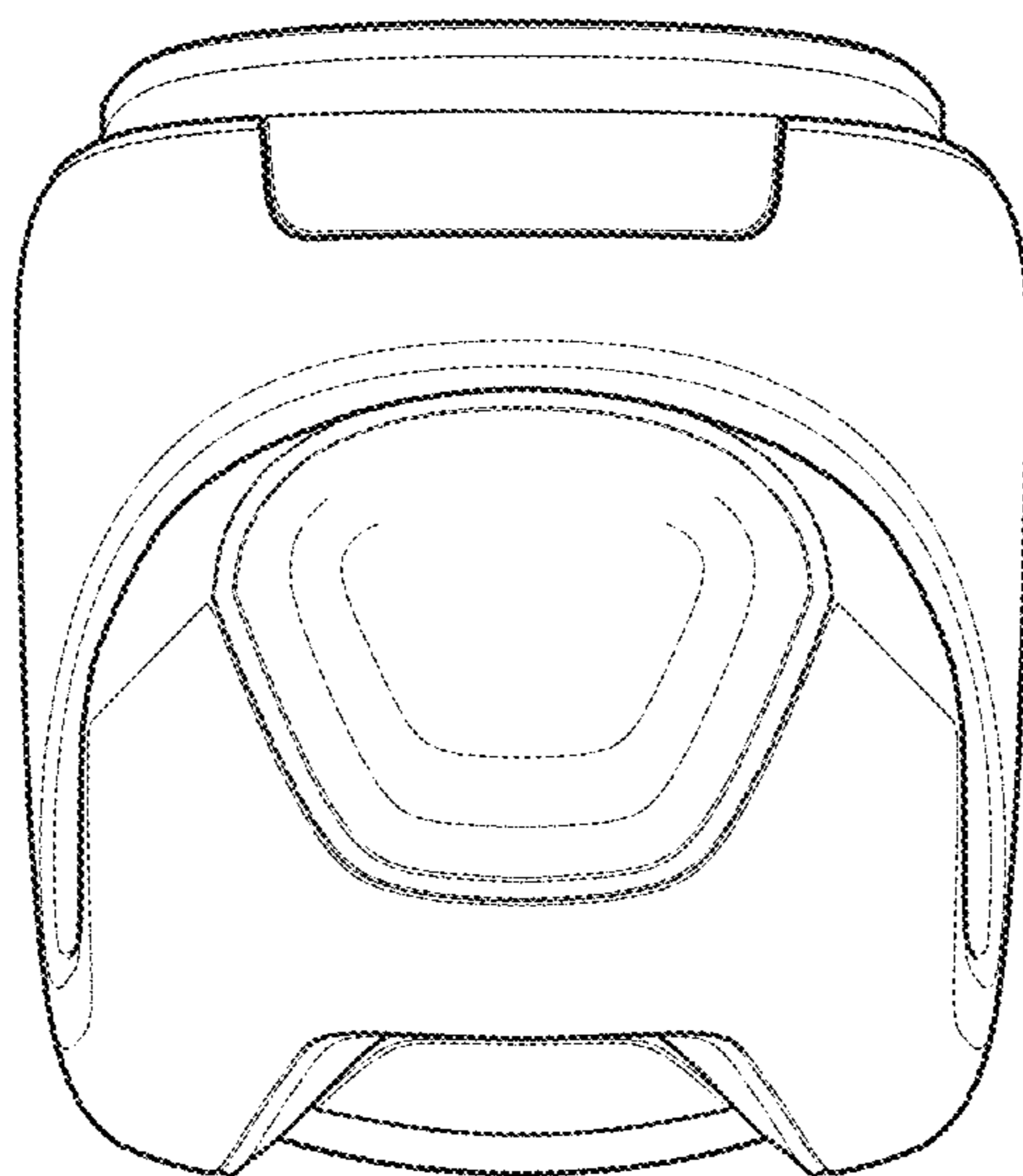


FIG. 7



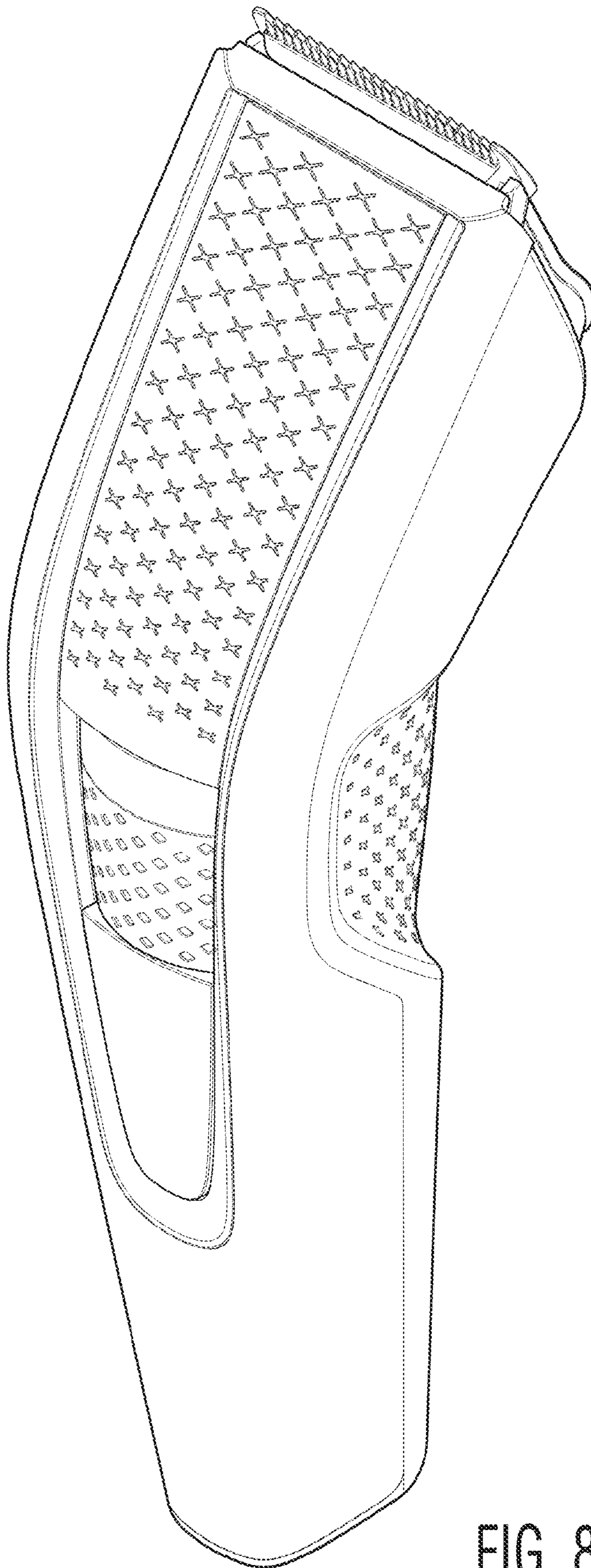


FIG. 8

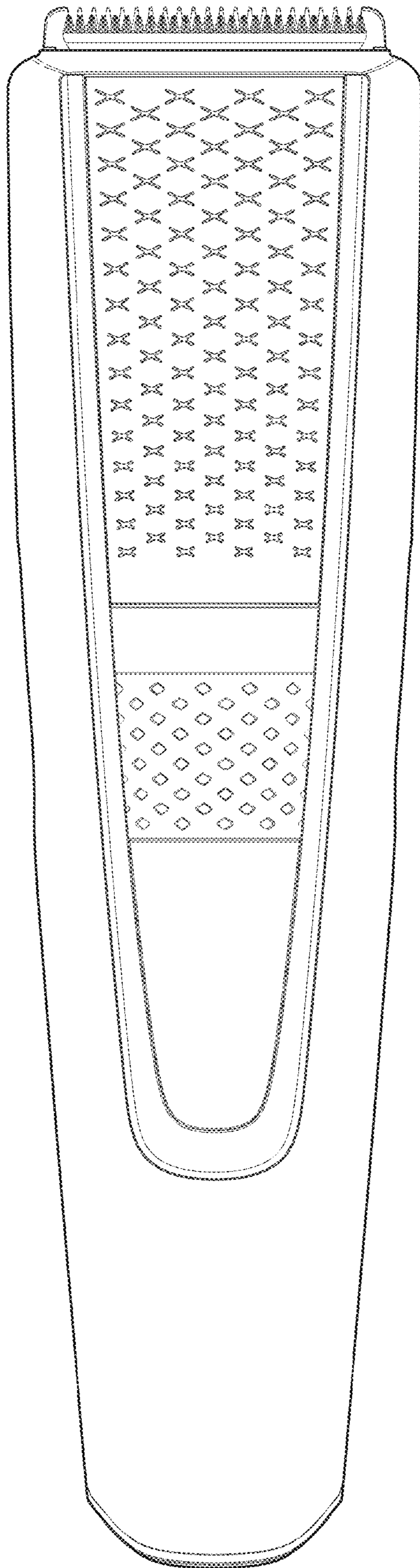


FIG. 9

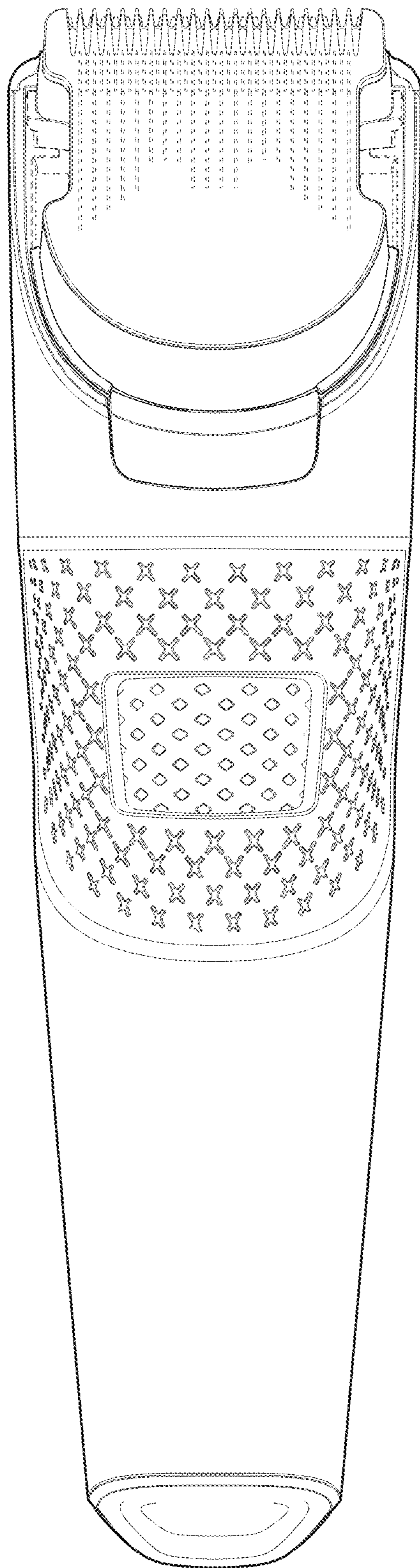


FIG. 10

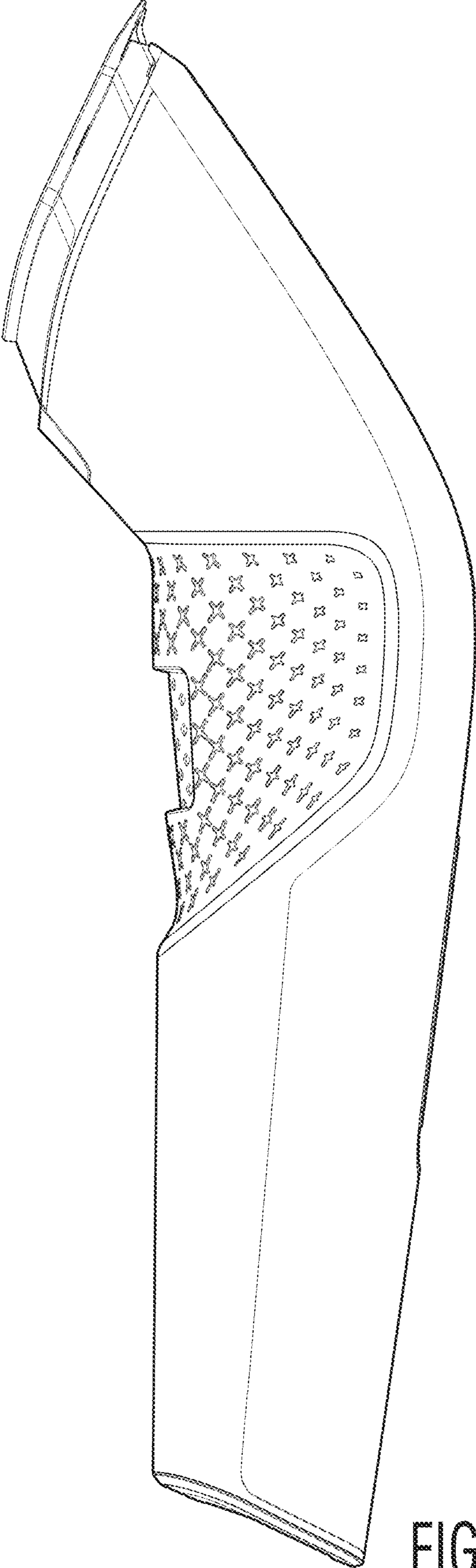


FIG. 11

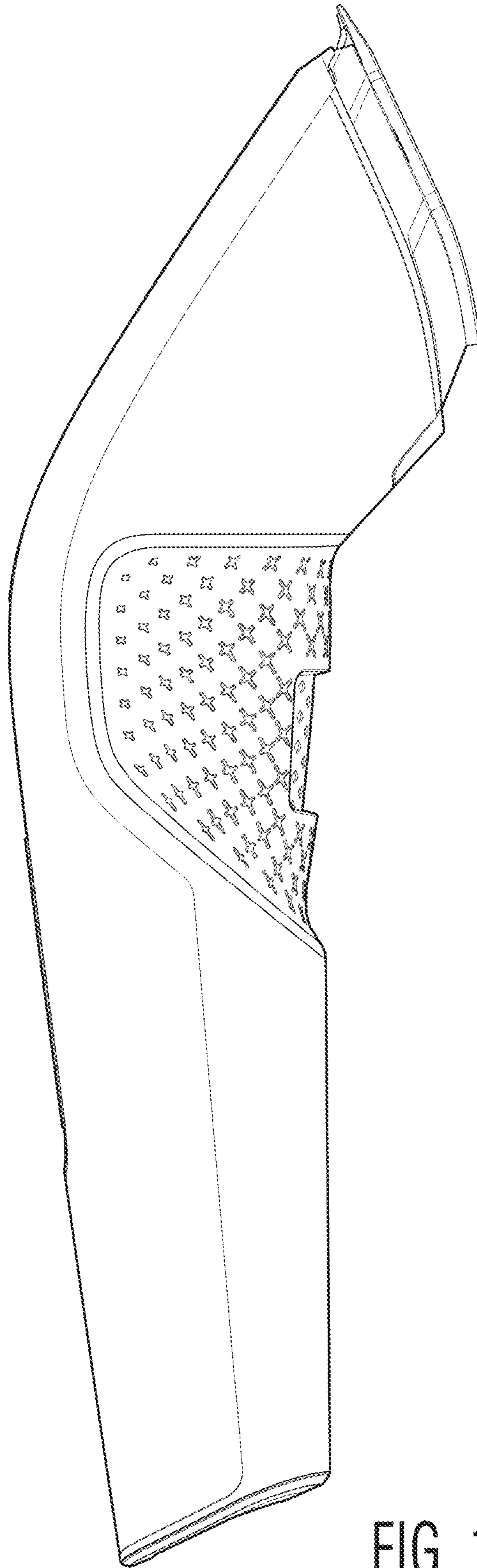


FIG. 12

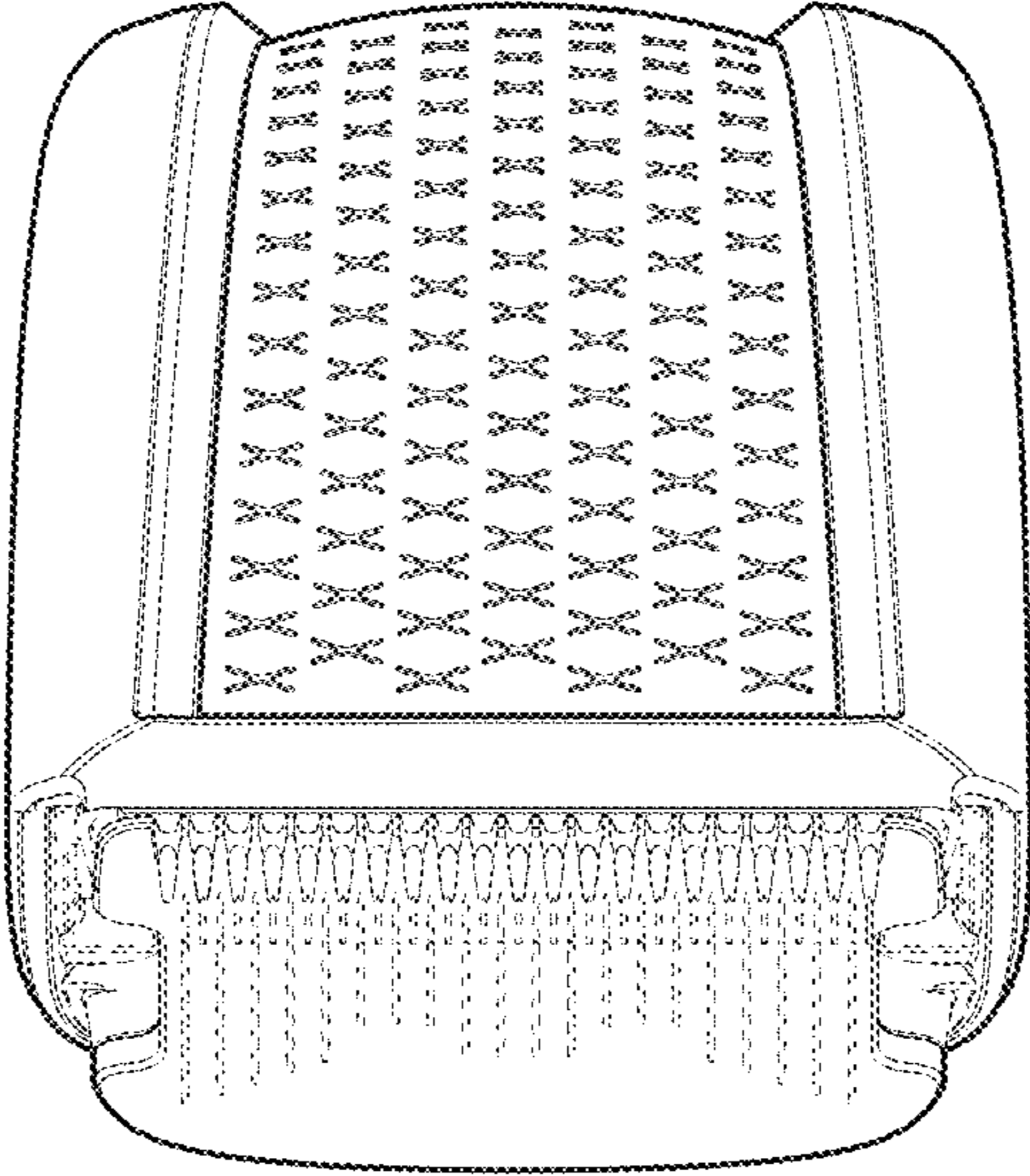


FIG. 13

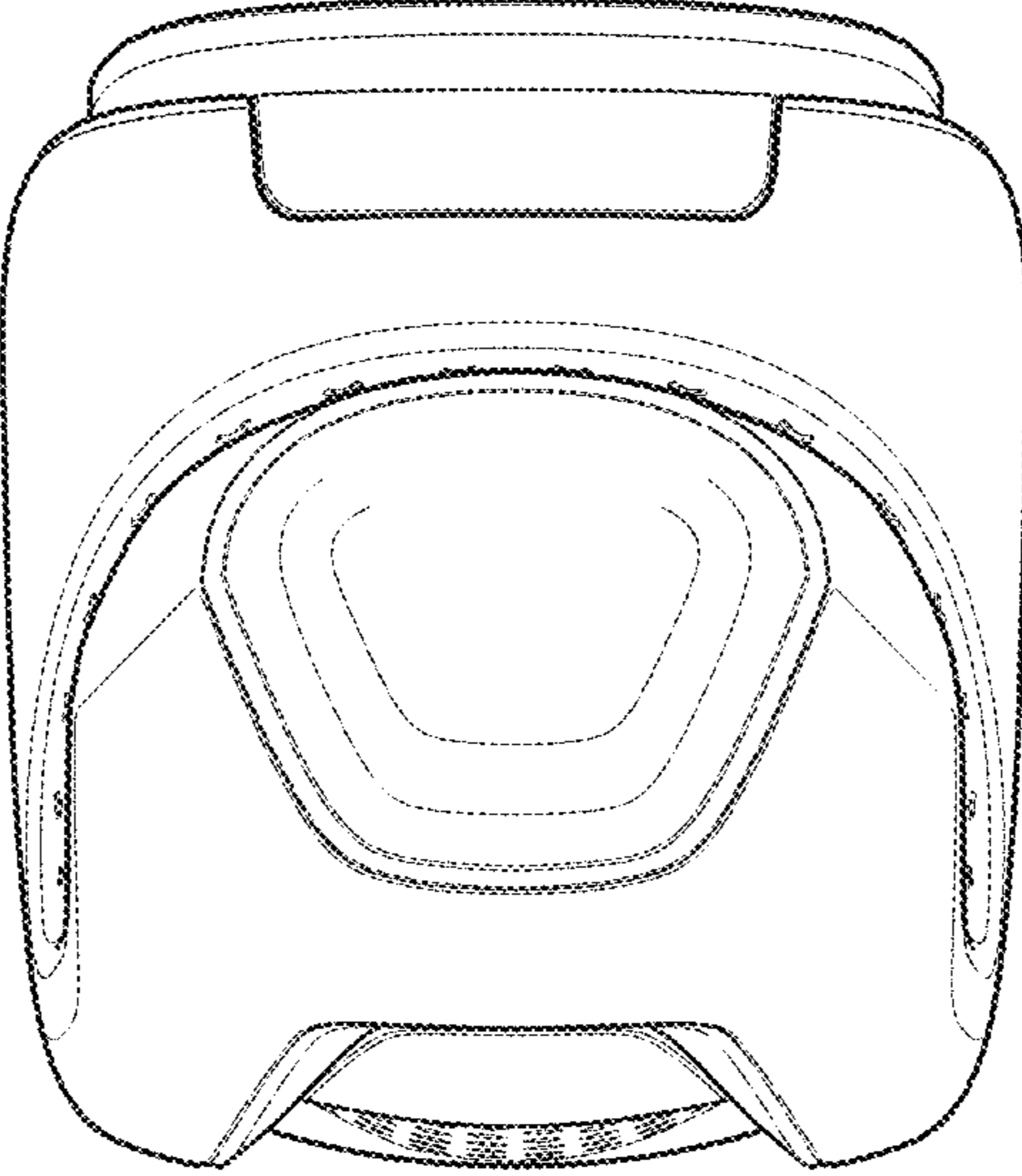


FIG. 14

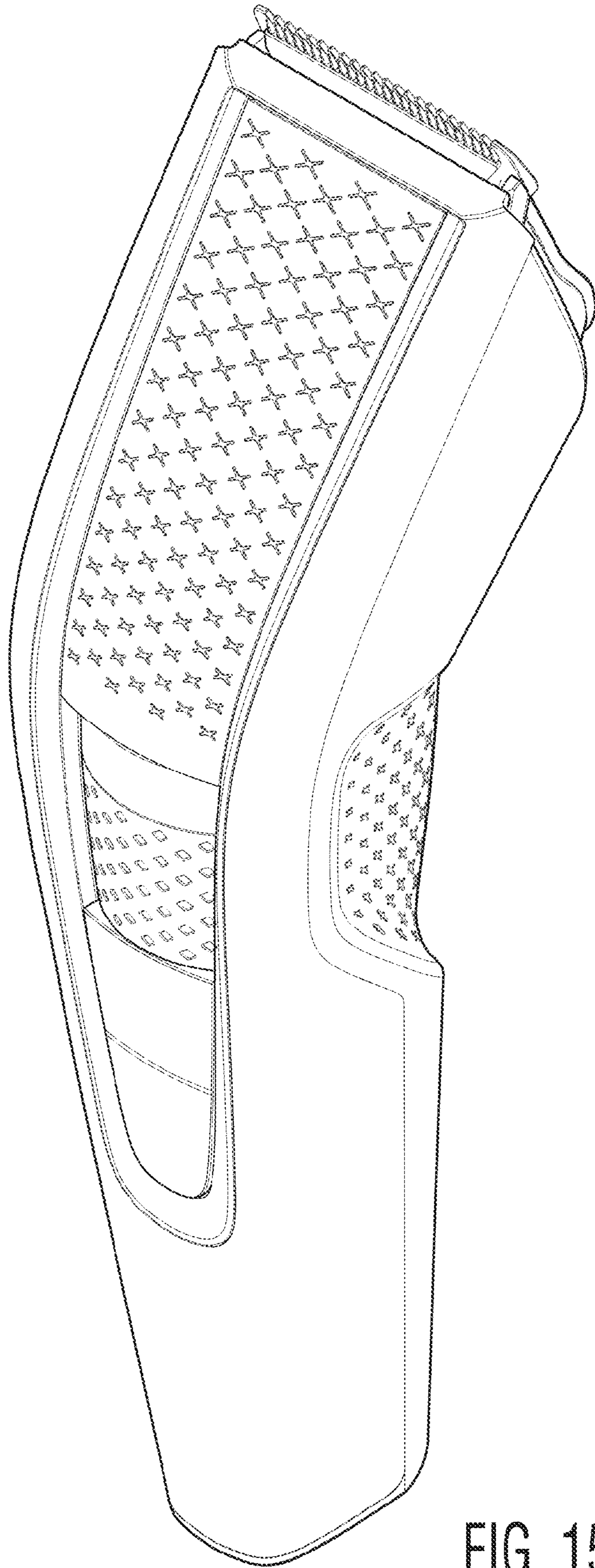


FIG. 15

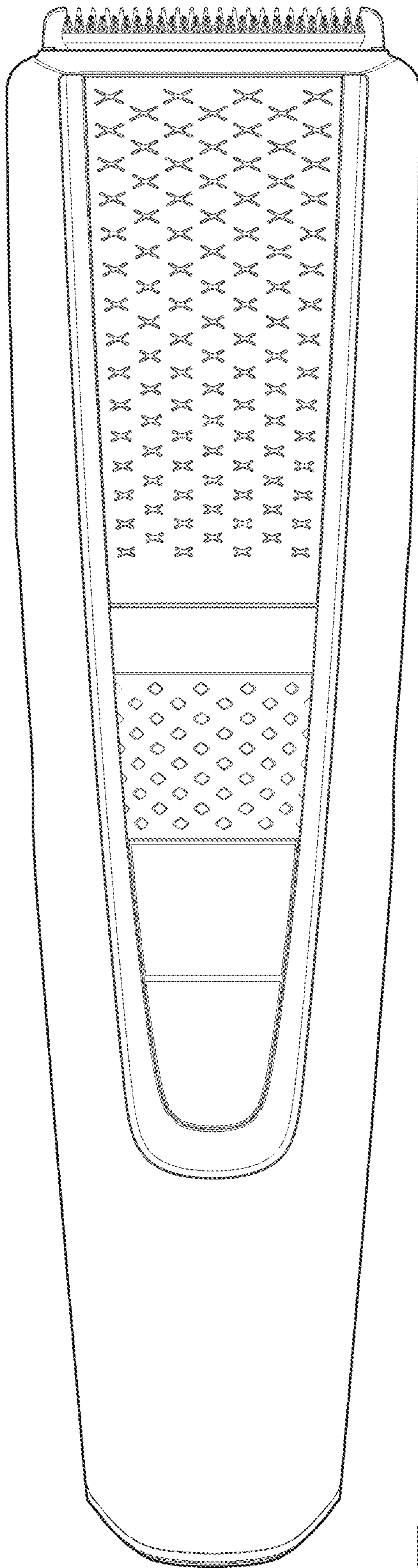


FIG. 16



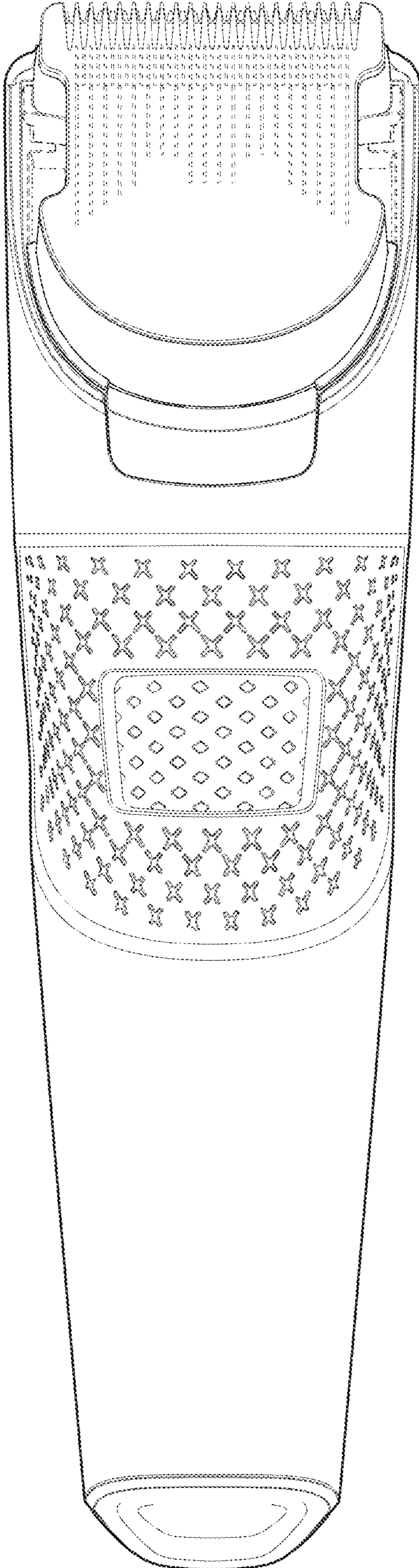


FIG. 17

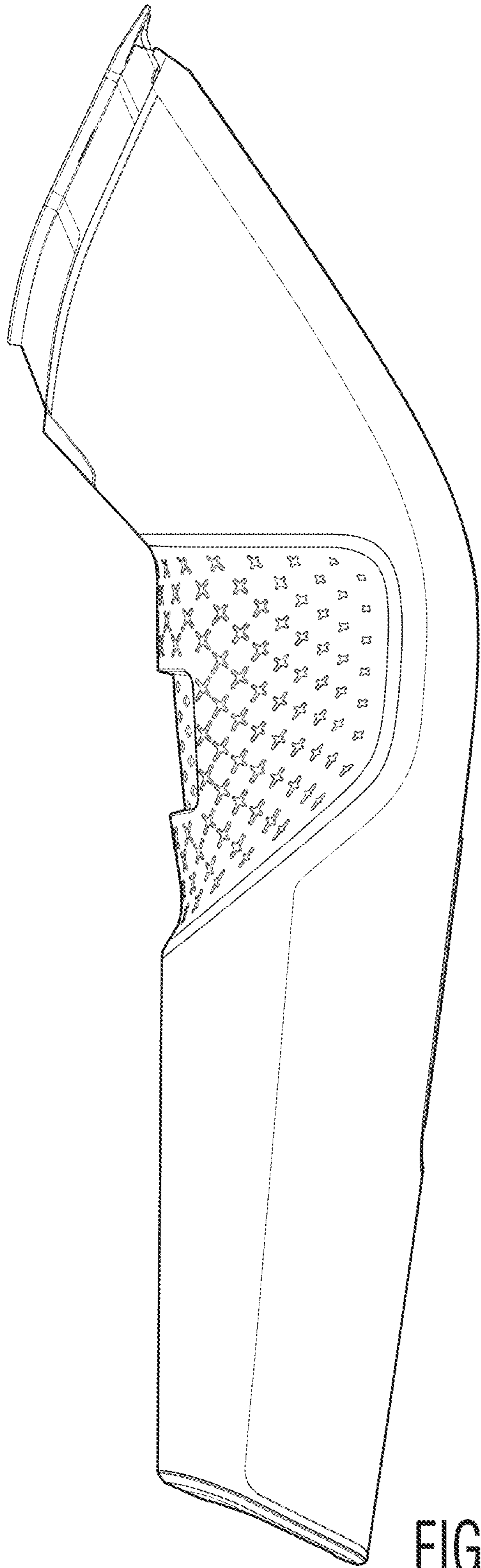


FIG. 18

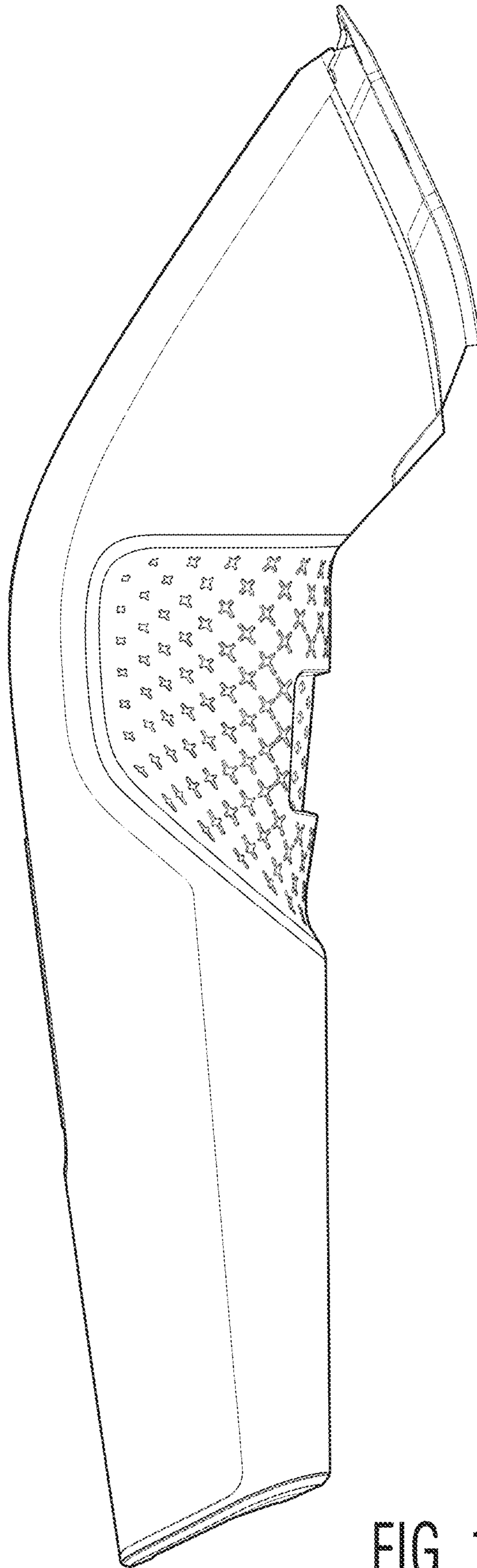


FIG. 19

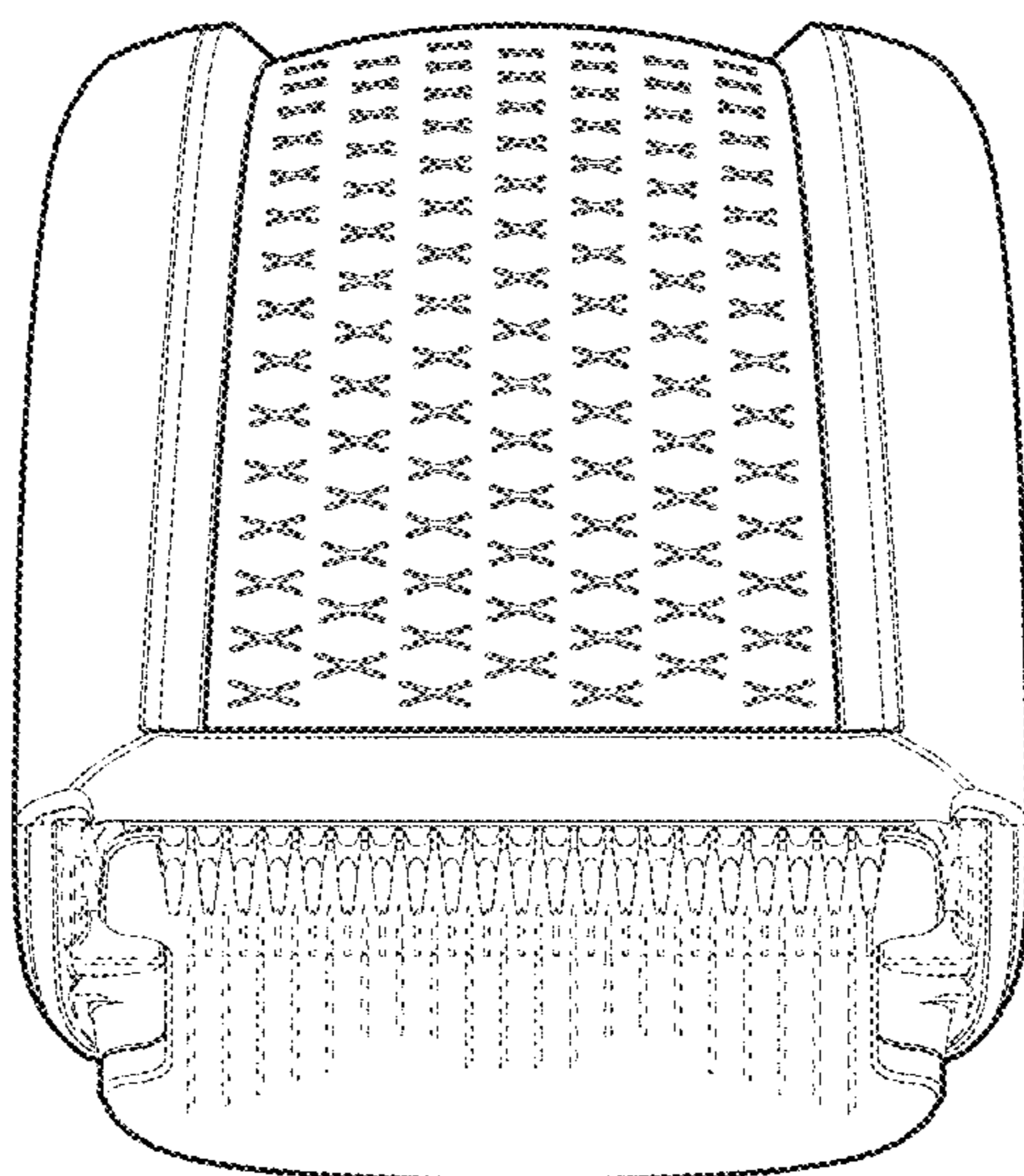


FIG. 20

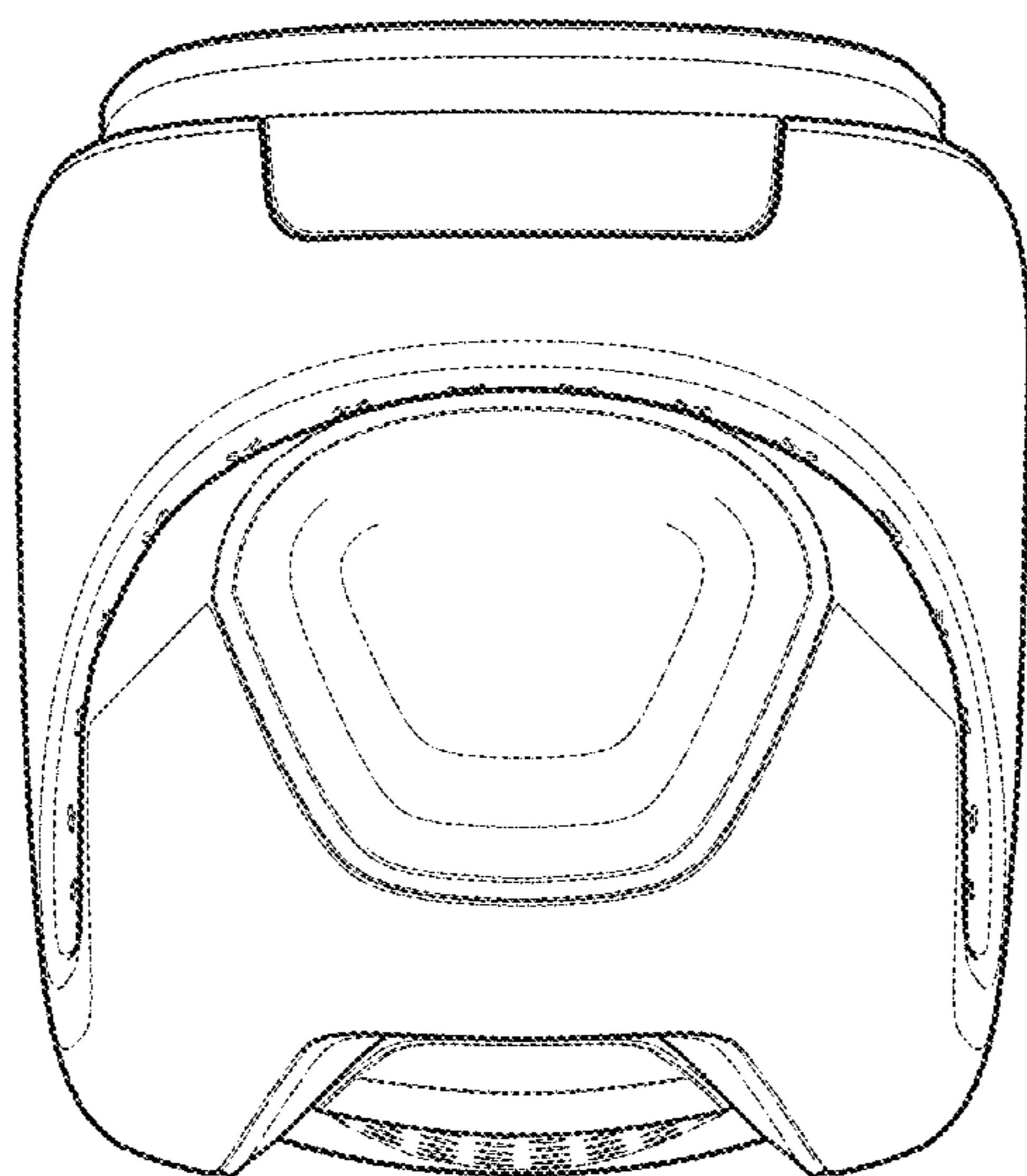


FIG. 21

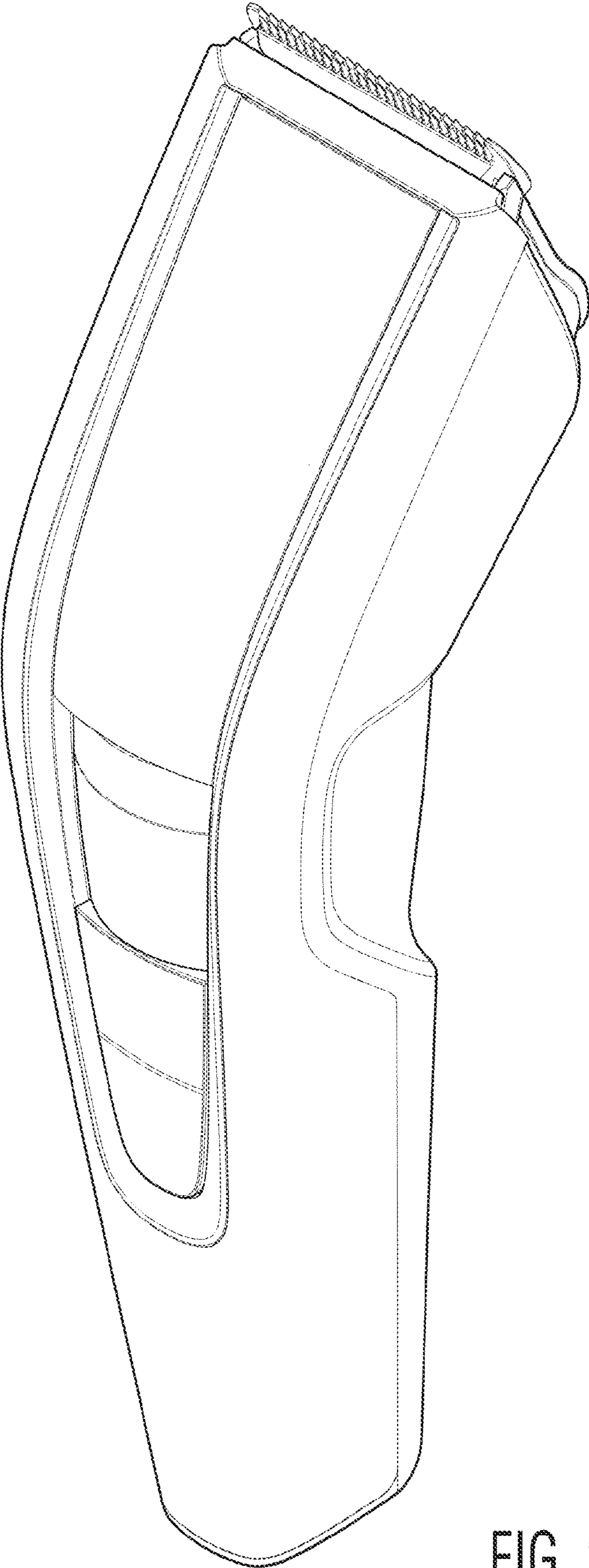


FIG. 22

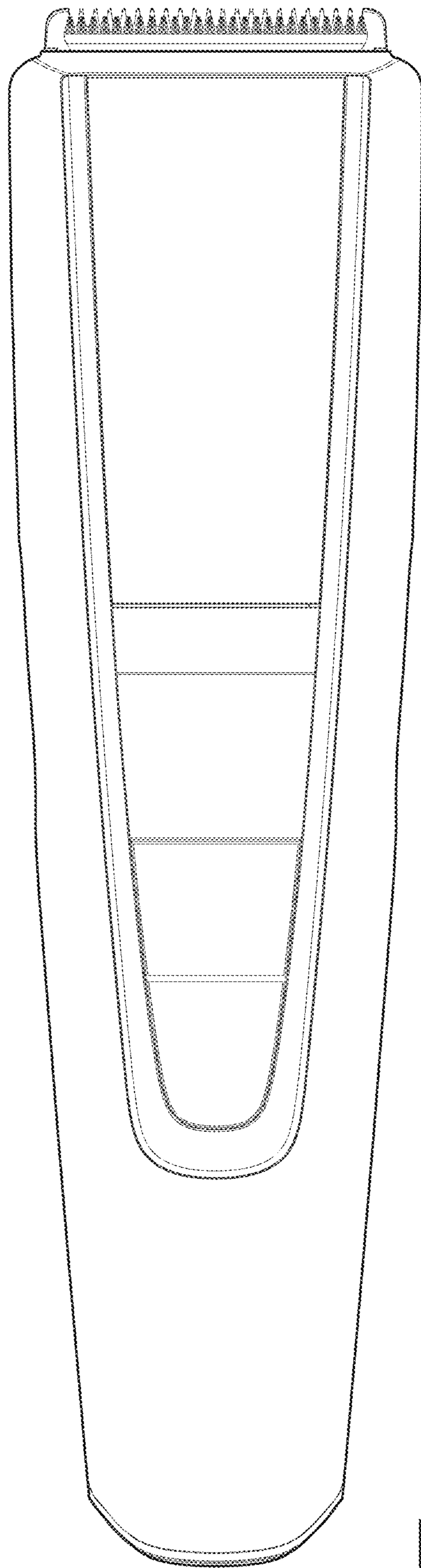


FIG. 23

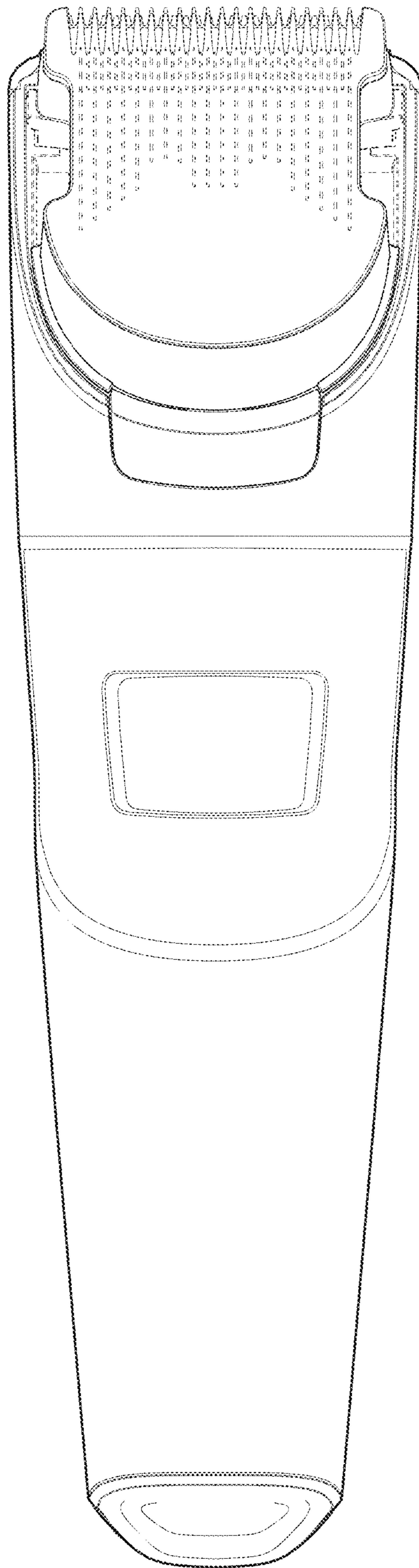


FIG. 24

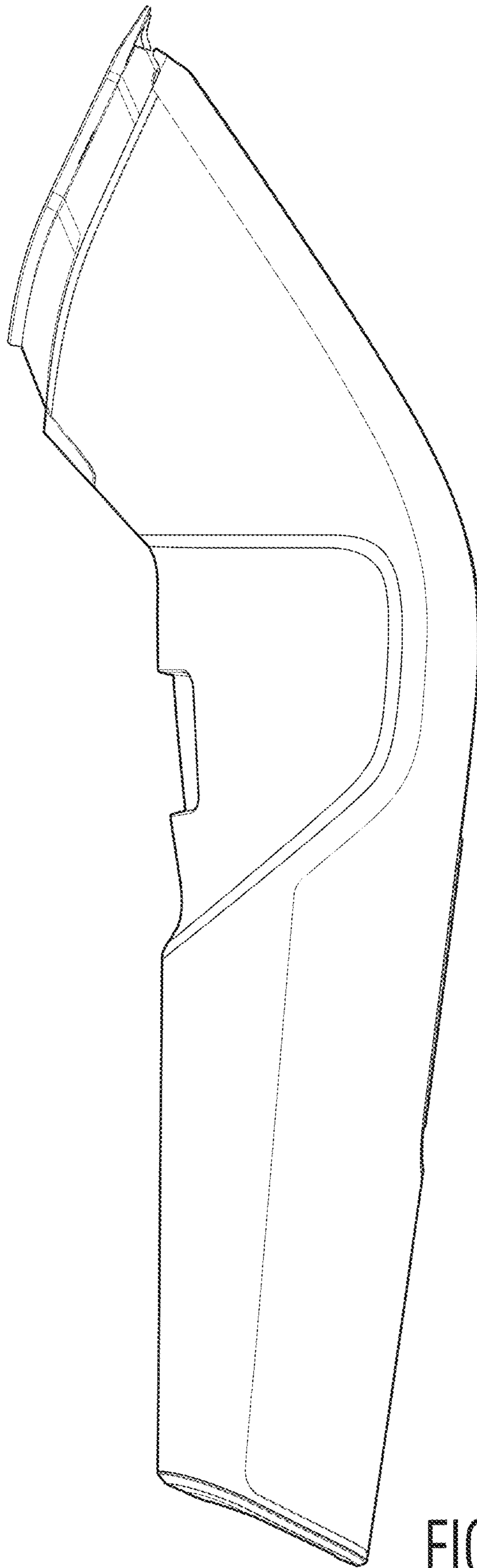


FIG. 25



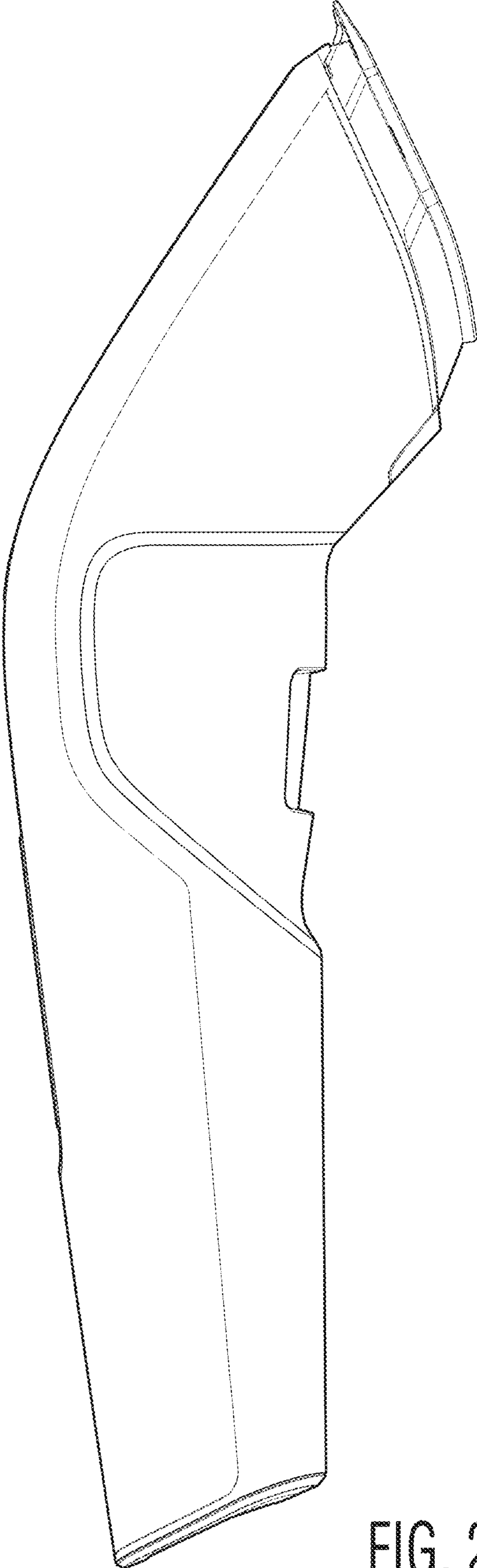


FIG. 26

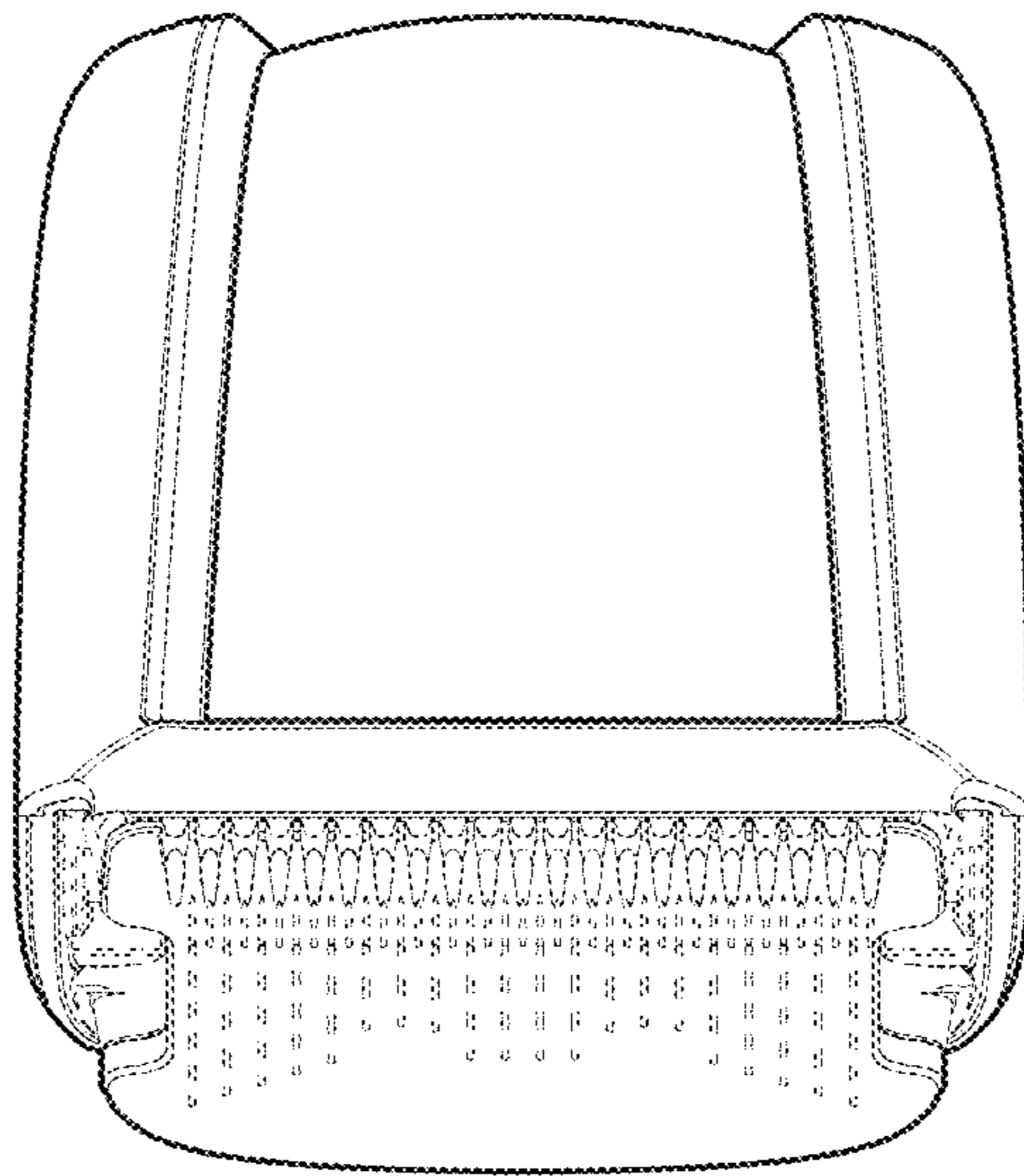


FIG. 27

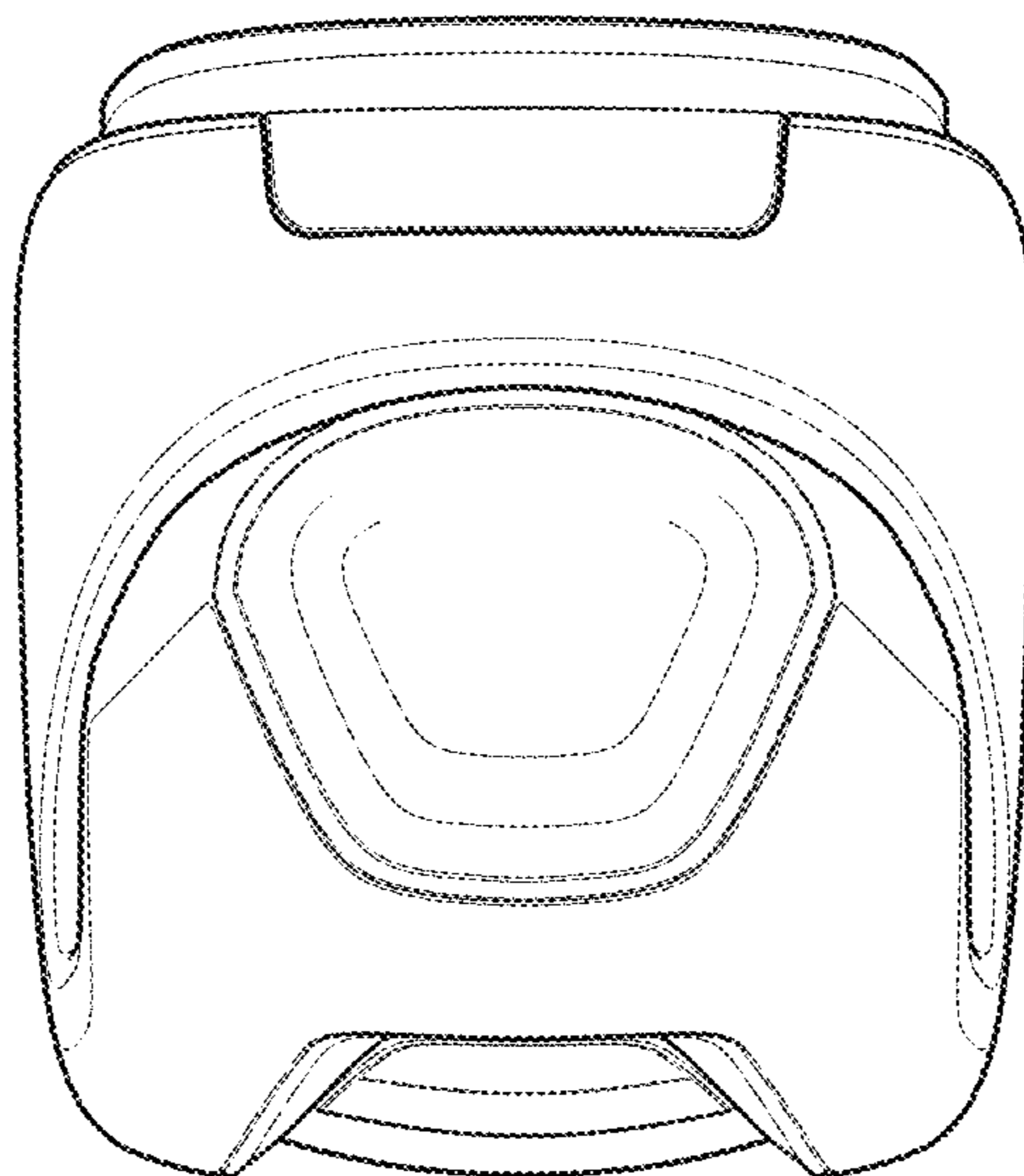


FIG. 28