



US00D931538S

(12) **United States Design Patent** (10) **Patent No.:** **US D931,538 S**
Marquez et al. (45) **Date of Patent:** **** Sep. 21, 2021**

- (54) **TRIMMER**
- (71) Applicant: **KONINKLIJKE PHILIPS N.V.**,
Eindhoven (NL)
- (72) Inventors: **Lacides Manuel Marquez**, Almere
Buiten (NL); **Pascal Kuijpers**,
Amsterdam (NL); **Maren Baake**,
Amsterdam (NL); **Ulrike Herremans**,
Eindhoven (NL)
- (73) Assignee: **KONINKLIJKE PHILIPS N.V.**,
Eindhoven (NL)
- (**) Term: **15 Years**
- (21) Appl. No.: **29/711,142**
- (22) Filed: **Oct. 29, 2019**
- (51) **LOC (13) Cl.** **28-03**
- (52) **U.S. Cl.**
USPC **D28/53**
- (58) **Field of Classification Search**
USPC D28/49–54
CPC .. B26B 19/38–3826; B26B 19/384–48; B26B
19/12; B26B 19/20–24; B26B 19/00–107
See application file for complete search history.

- D776,349 S * 1/2017 Skye D28/54
- D790,769 S * 6/2017 Drori D28/54
- D813,459 S * 3/2018 Sinnott D28/54
- 10,029,377 B2 * 7/2018 Zijlstra B26B 19/3846
- 10,293,500 B1 * 5/2019 Baker B26B 19/20
- D867,662 S * 11/2019 Cociffi D28/53
- D869,091 S * 12/2019 Zhang D28/53

(Continued)

Primary Examiner — Jennifer Rivard

(57) **CLAIM**

The ornamental design for a trimmer, as shown.

DESCRIPTION

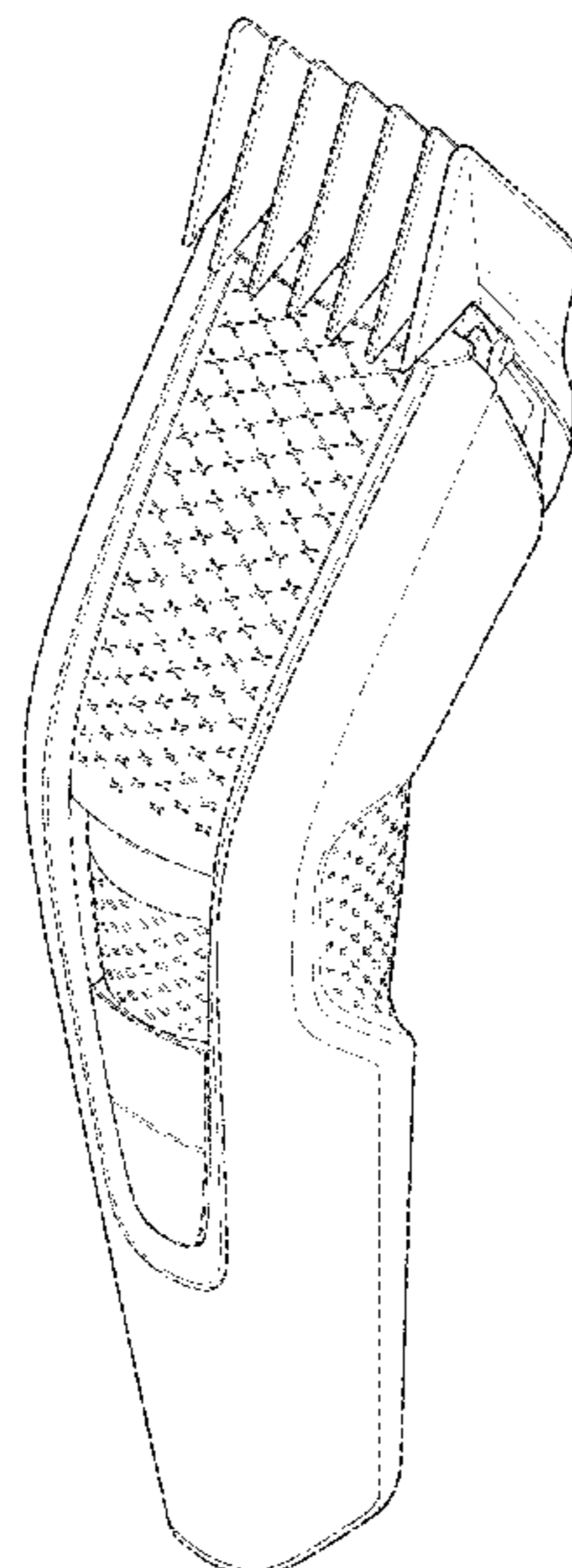
FIG. 1 is a perspective view showing the first embodiment of our design;
 FIG. 2 is a front elevational view thereof;
 FIG. 3 is a rear elevational view thereof;
 FIG. 4 is a right side elevational view thereof;
 FIG. 5 is a left side elevational view thereof;
 FIG. 6 is a top plan view thereof;
 FIG. 7 is a bottom plan view thereof;
 FIG. 8 is a perspective view showing the second embodiment of our design;
 FIG. 9 is a front elevational view thereof;
 FIG. 10 is a rear elevational view thereof;
 FIG. 11 is a right side elevational view thereof;
 FIG. 12 is a left side elevational view thereof;
 FIG. 13 is a top plan view thereof;
 FIG. 14 is a bottom plan view thereof;
 FIG. 15 is a perspective view showing the third embodiment of our design;
 FIG. 16 is a front elevational view thereof;
 FIG. 17 is a rear elevational view thereof;
 FIG. 18 is a right side elevational view thereof;
 FIG. 19 is a left side elevational view thereof;
 FIG. 20 is a top plan view thereof; and,
 FIG. 21 is a bottom plan view thereof.

1 Claim, 12 Drawing Sheets

(56) **References Cited**

U.S. PATENT DOCUMENTS

- D185,170 S * 5/1959 Peters D28/54
- D286,454 S * 10/1986 Stephens D28/54
- 5,937,526 A * 8/1999 Wahl B26B 19/20
30/201
- D524,487 S * 7/2006 Seki D28/54
- D558,400 S * 12/2007 Micinilio D28/54
- D559,456 S * 1/2008 Melton D28/54
- D565,793 S * 4/2008 Wallace D28/54
- D637,760 S * 5/2011 Tasar D28/53
- D754,400 S * 4/2016 Andersson D28/54
- 9,434,078 B2 * 9/2016 Julemont B26B 19/20



(56)

References Cited

U.S. PATENT DOCUMENTS

D869,769	S	*	12/2019	Zhang	D28/53
D870,383	S	*	12/2019	Zhang	D28/53
D872,366	S	*	1/2020	Cociffi	D28/53
D878,679	S	*	3/2020	Zhang	D28/53
D879,376	S	*	3/2020	Zhang	D28/53
D880,768	S	*	4/2020	Zhang	D28/53
D881,471	S	*	4/2020	Zhang	D28/54
D891,702	S	*	7/2020	Sanders	D28/54
D893,804	S	*	8/2020	Zhang	D28/53
2017/0305020	A1	*	10/2017	Darwinkel	B26B 19/3886
2018/0222068	A1	*	8/2018	Halmut	B26B 19/44
2019/0009418	A1	*	1/2019	Baltussen	B26B 19/3806

* cited by examiner

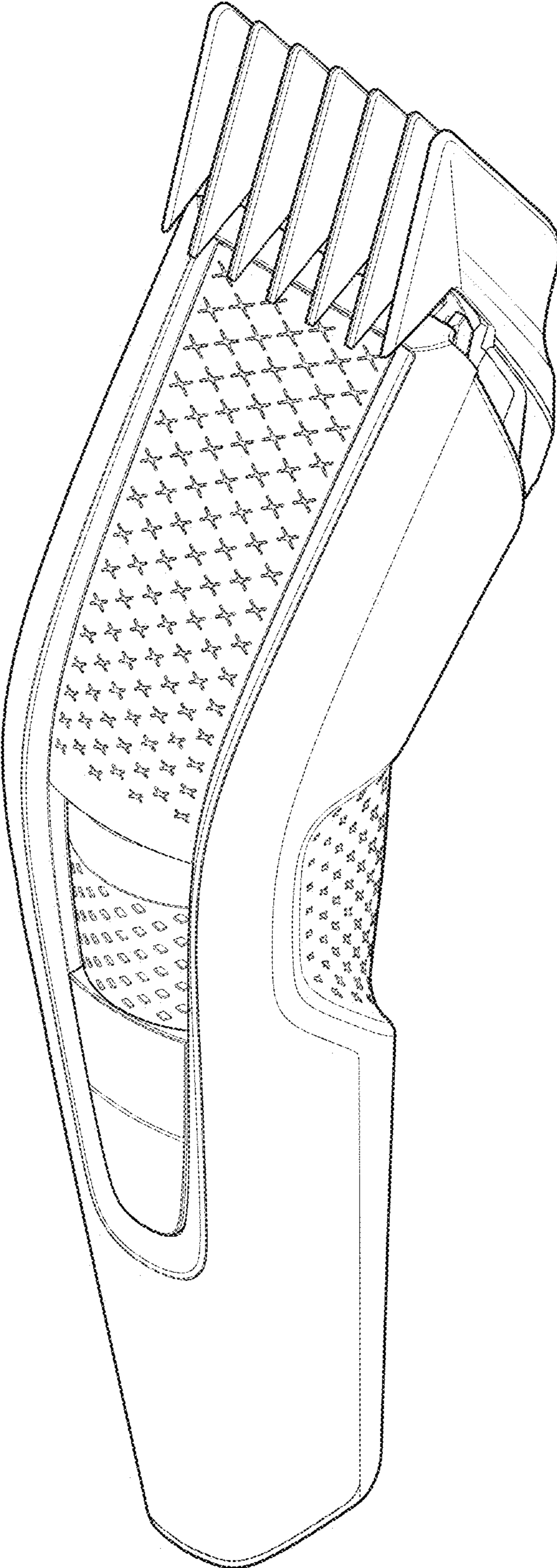


FIG. 1

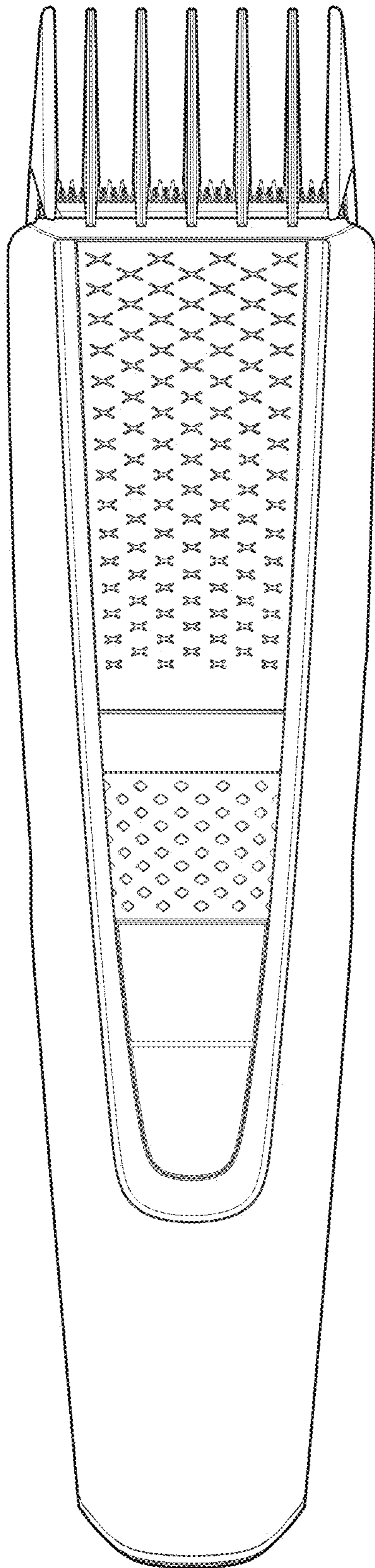


FIG. 2

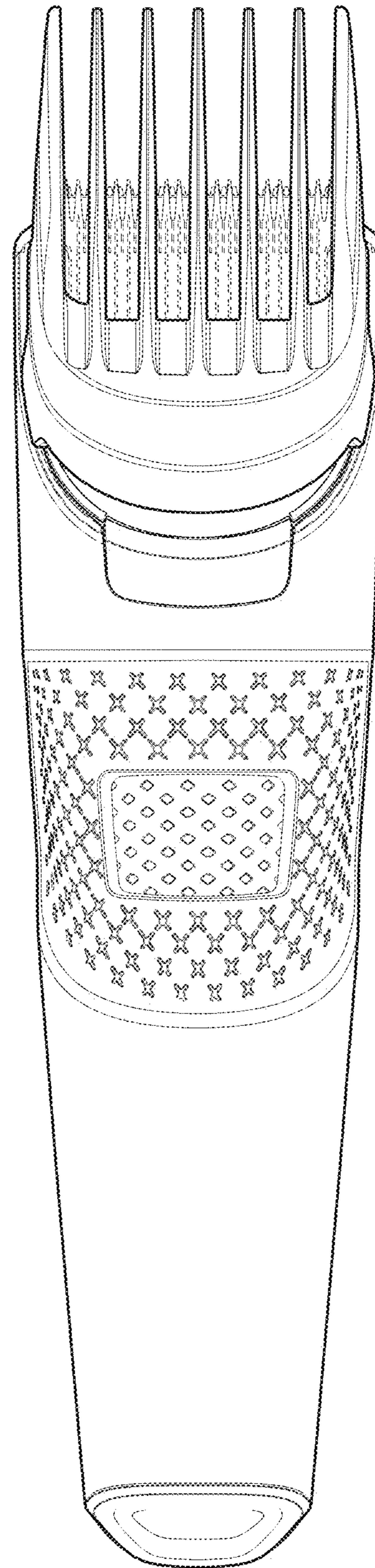


FIG. 3

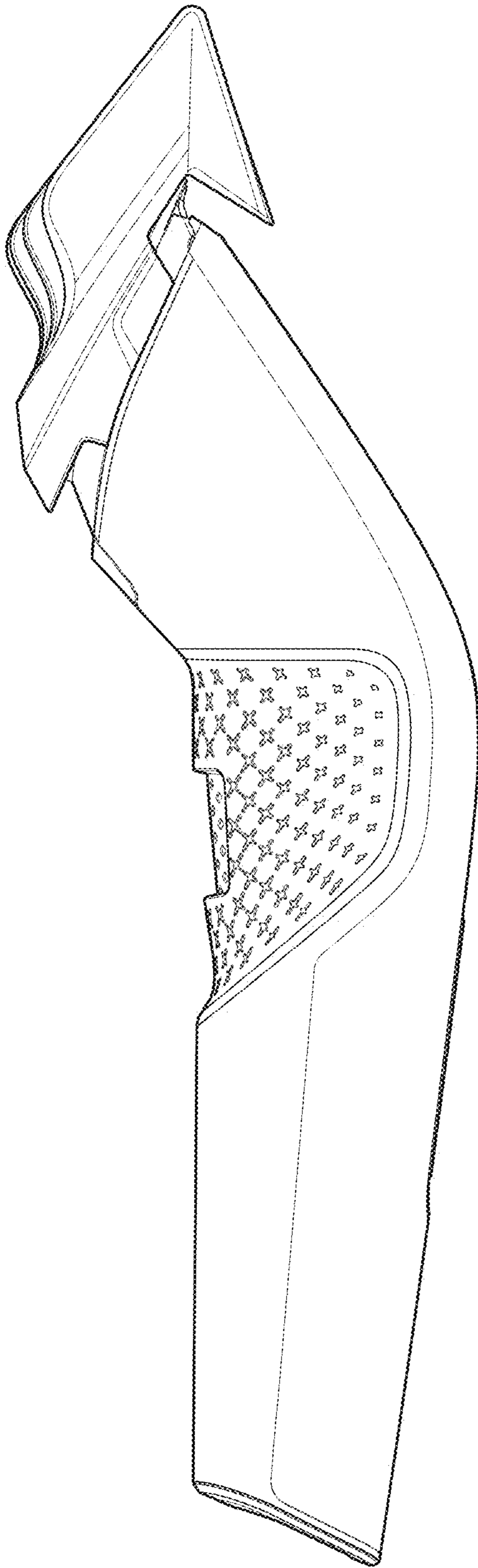


FIG. 4

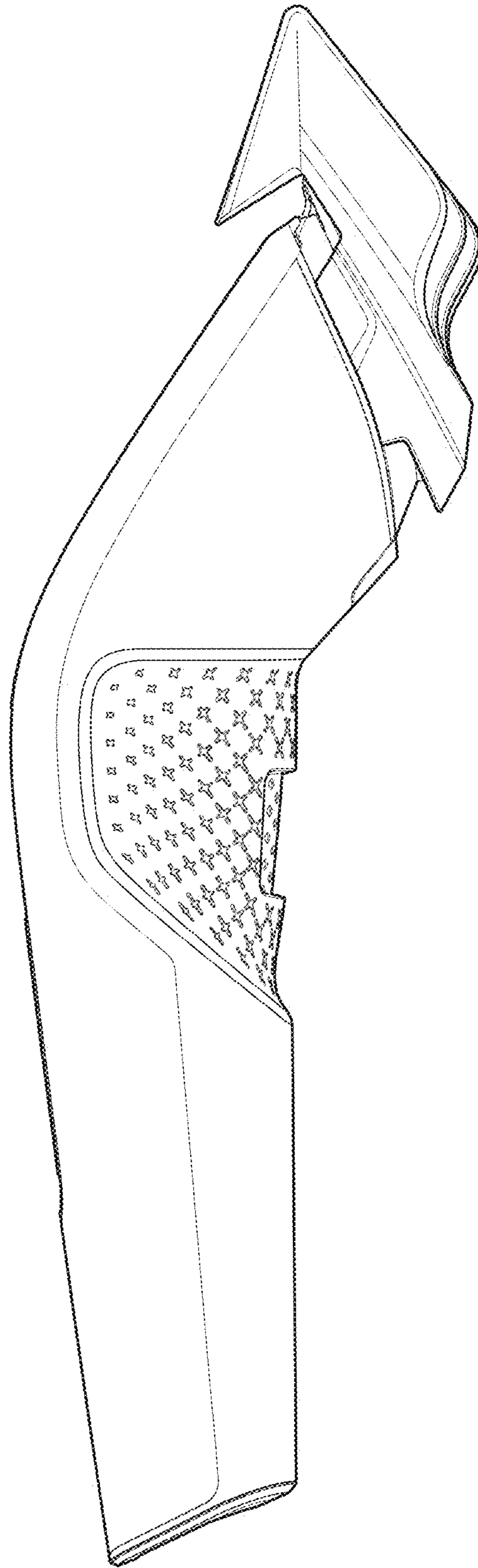


FIG. 5

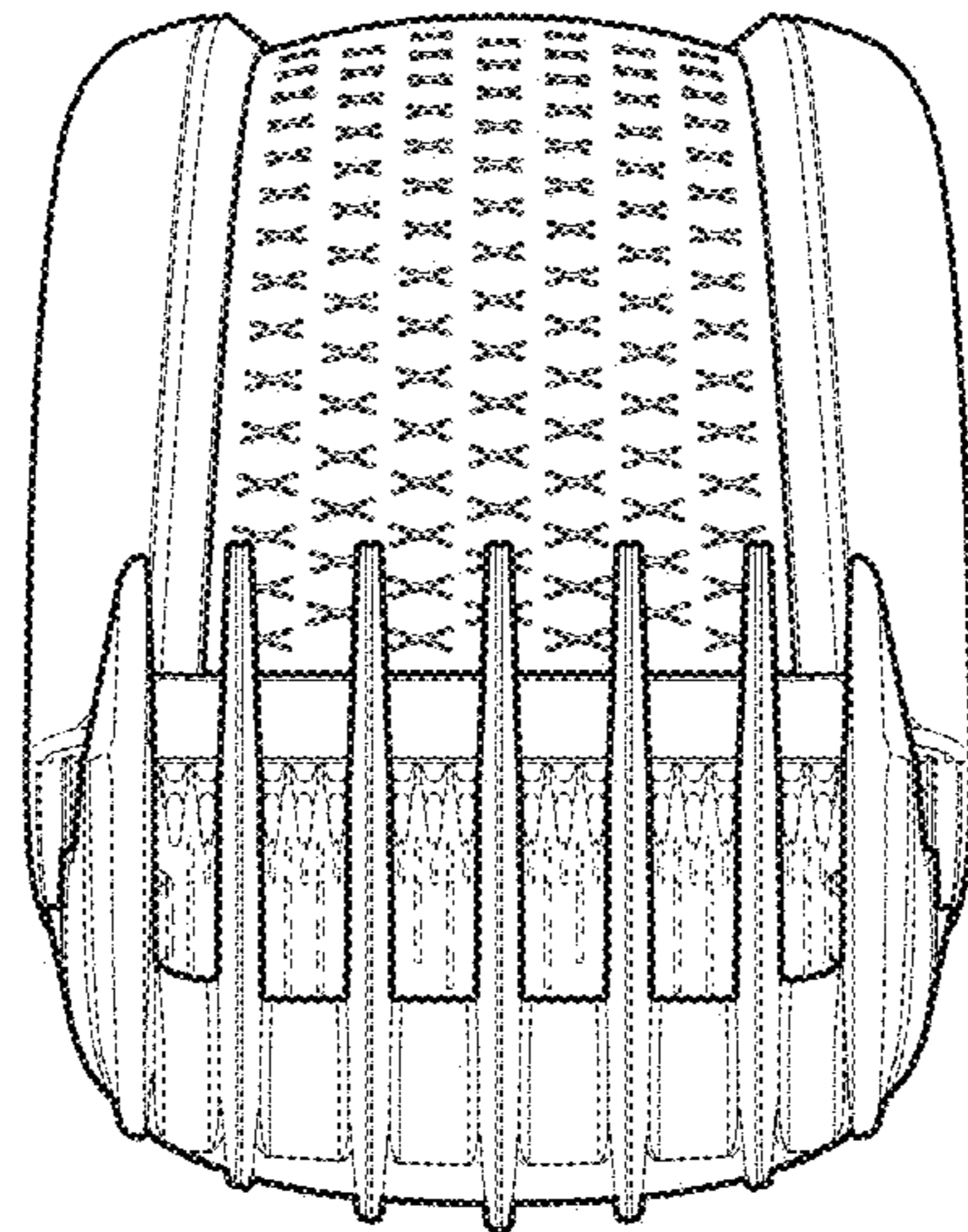


FIG. 6

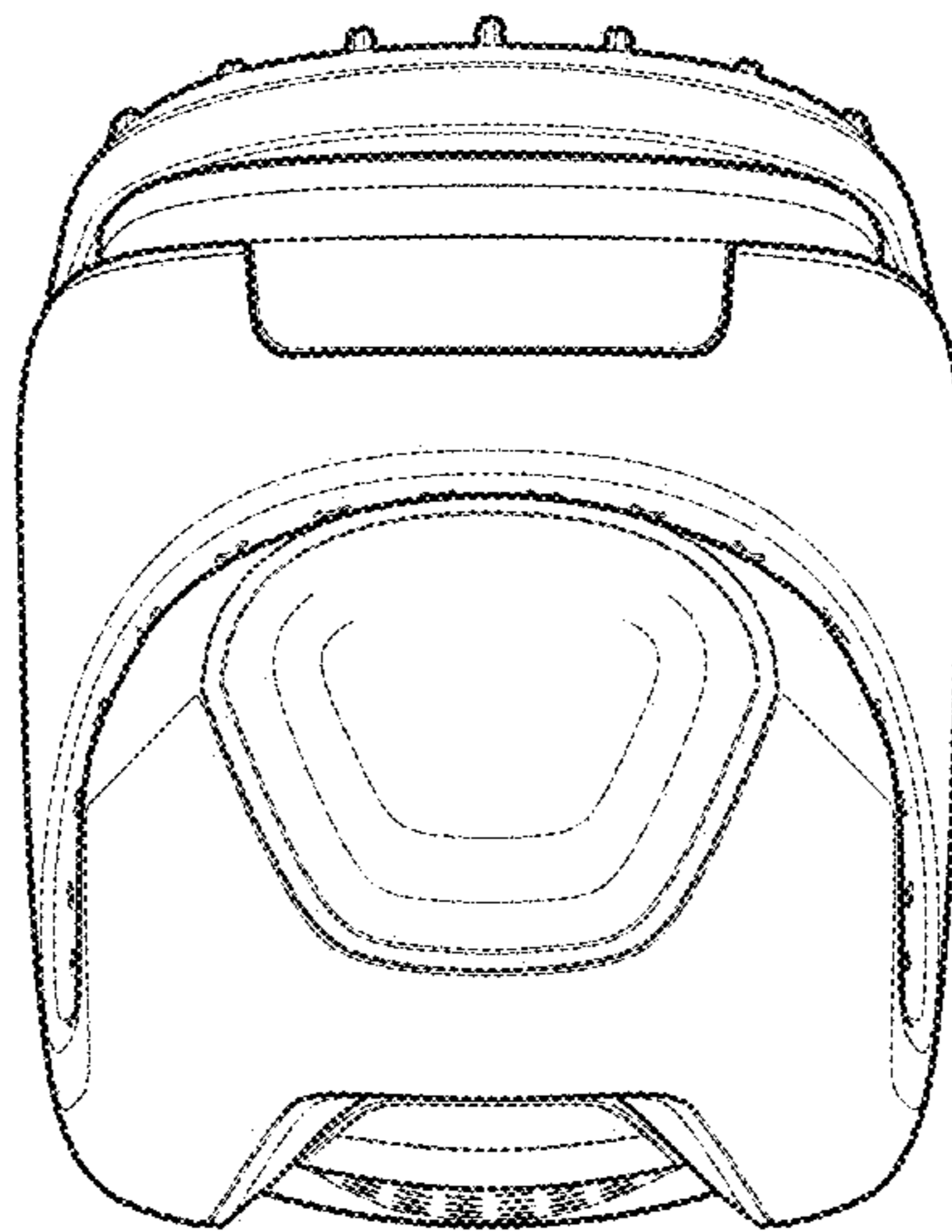


FIG. 7

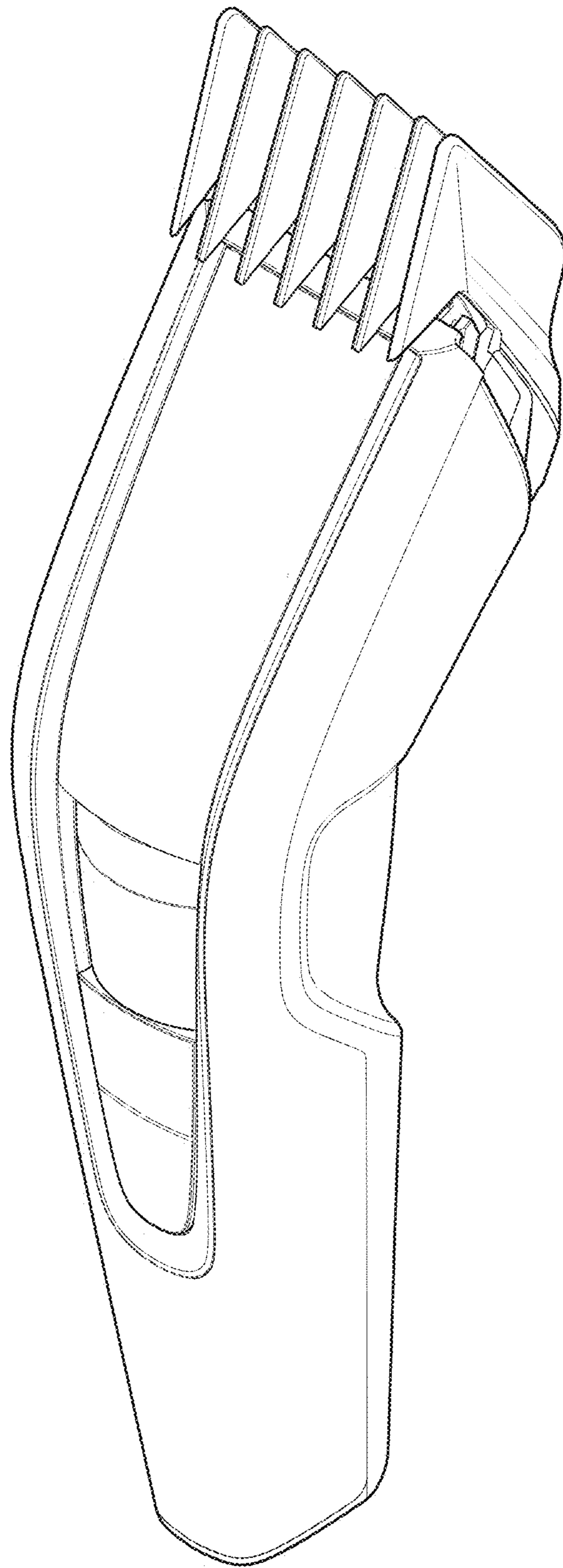


FIG. 8

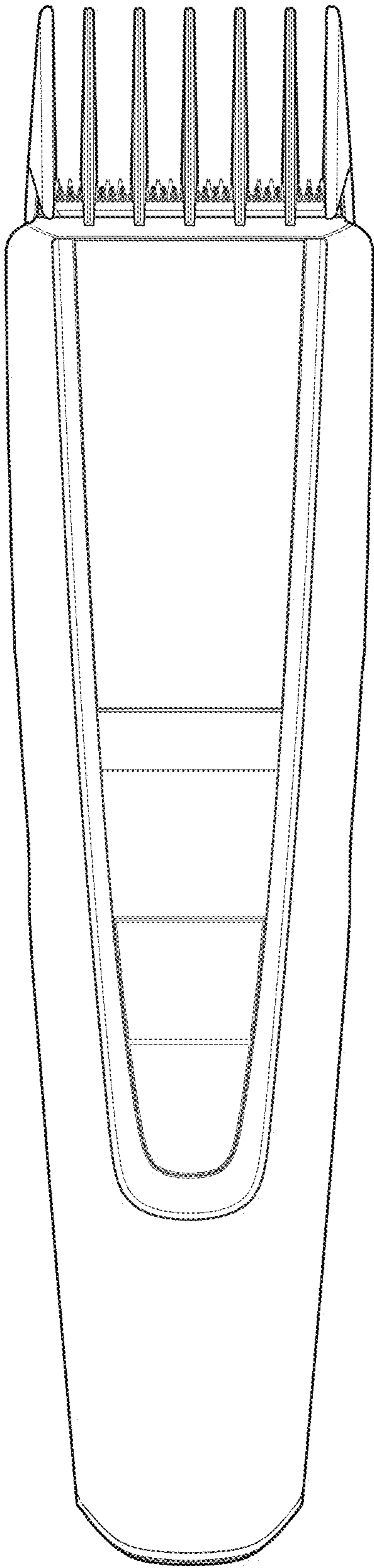


FIG. 9

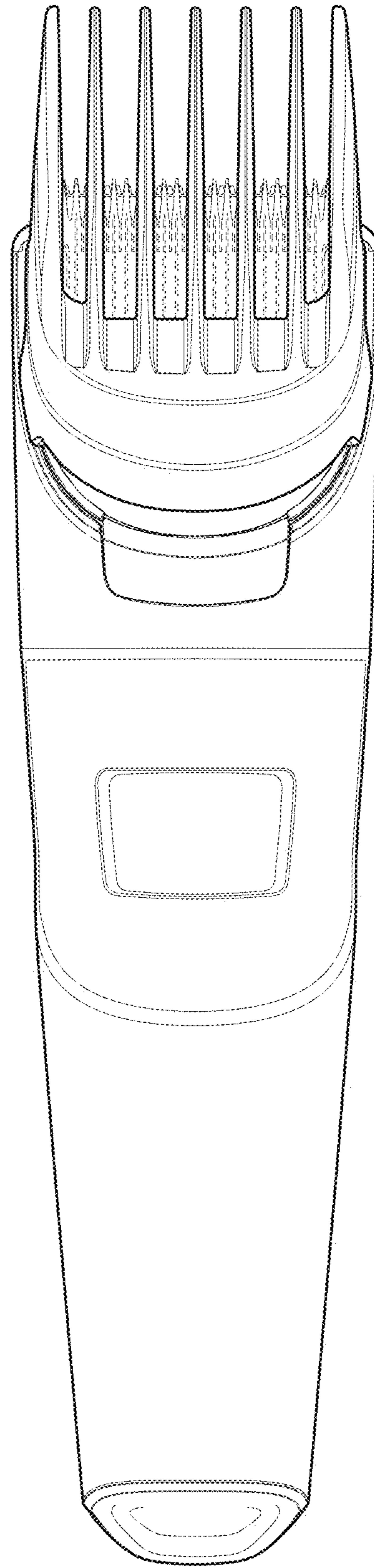


FIG. 10

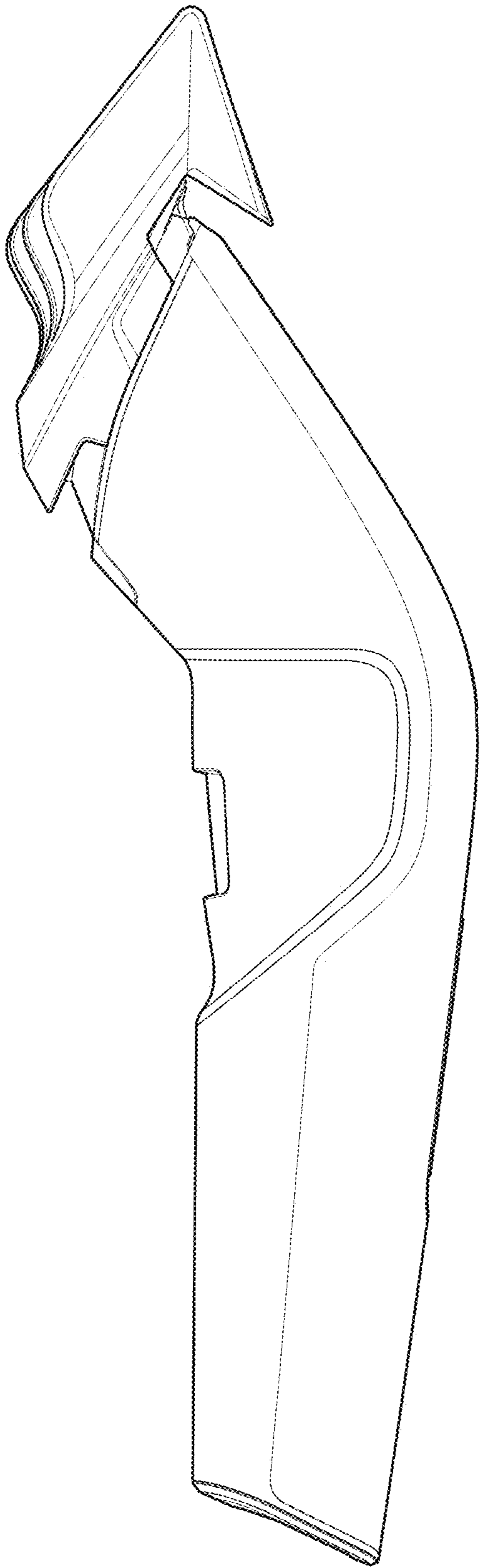


FIG. 11

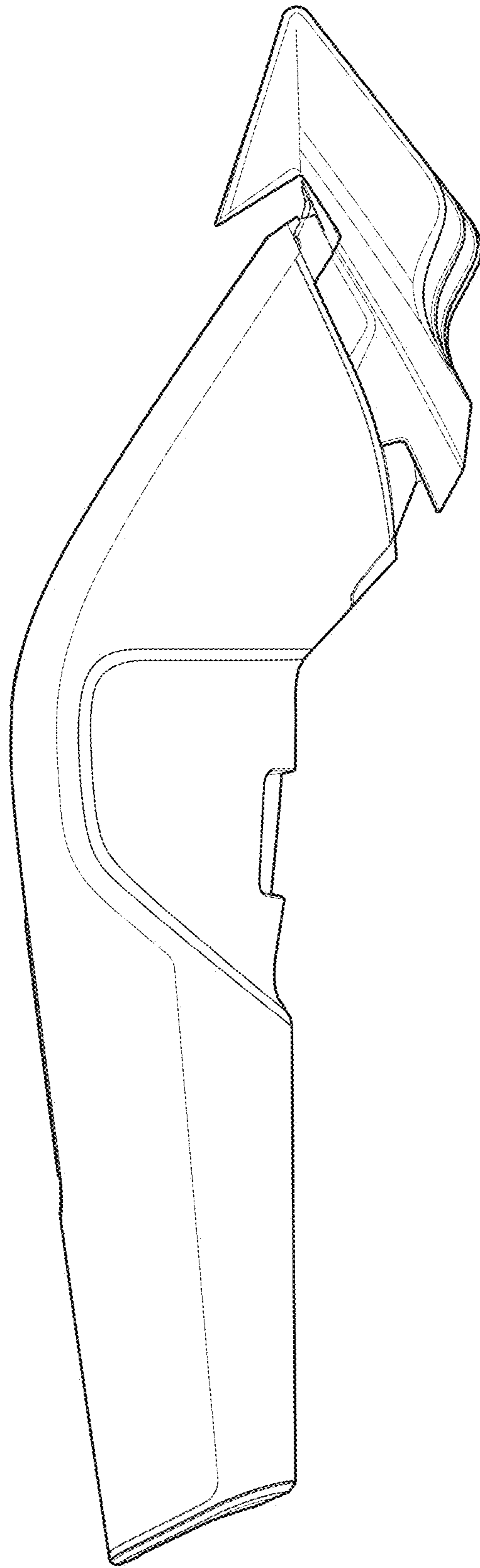


FIG. 12

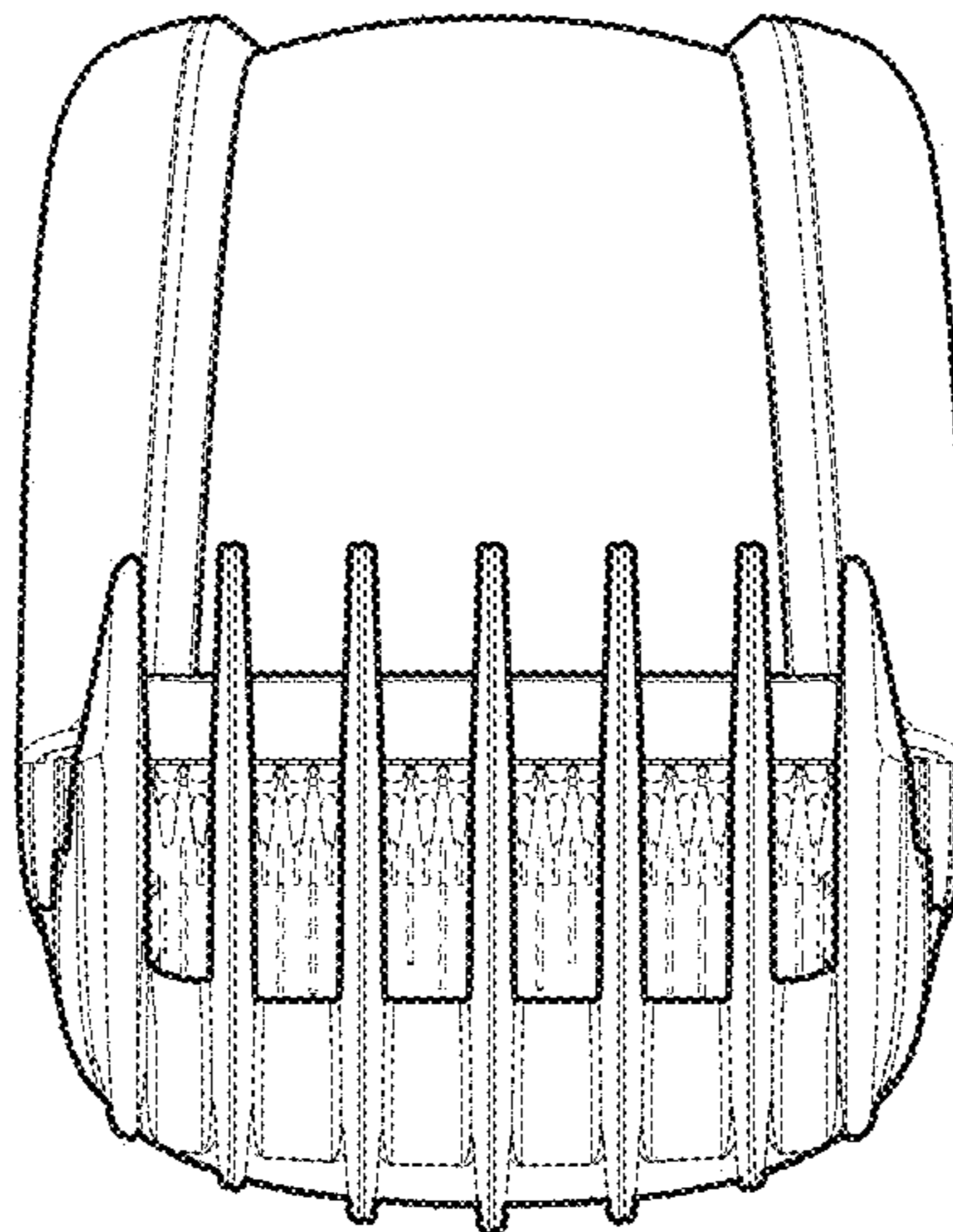


FIG. 13

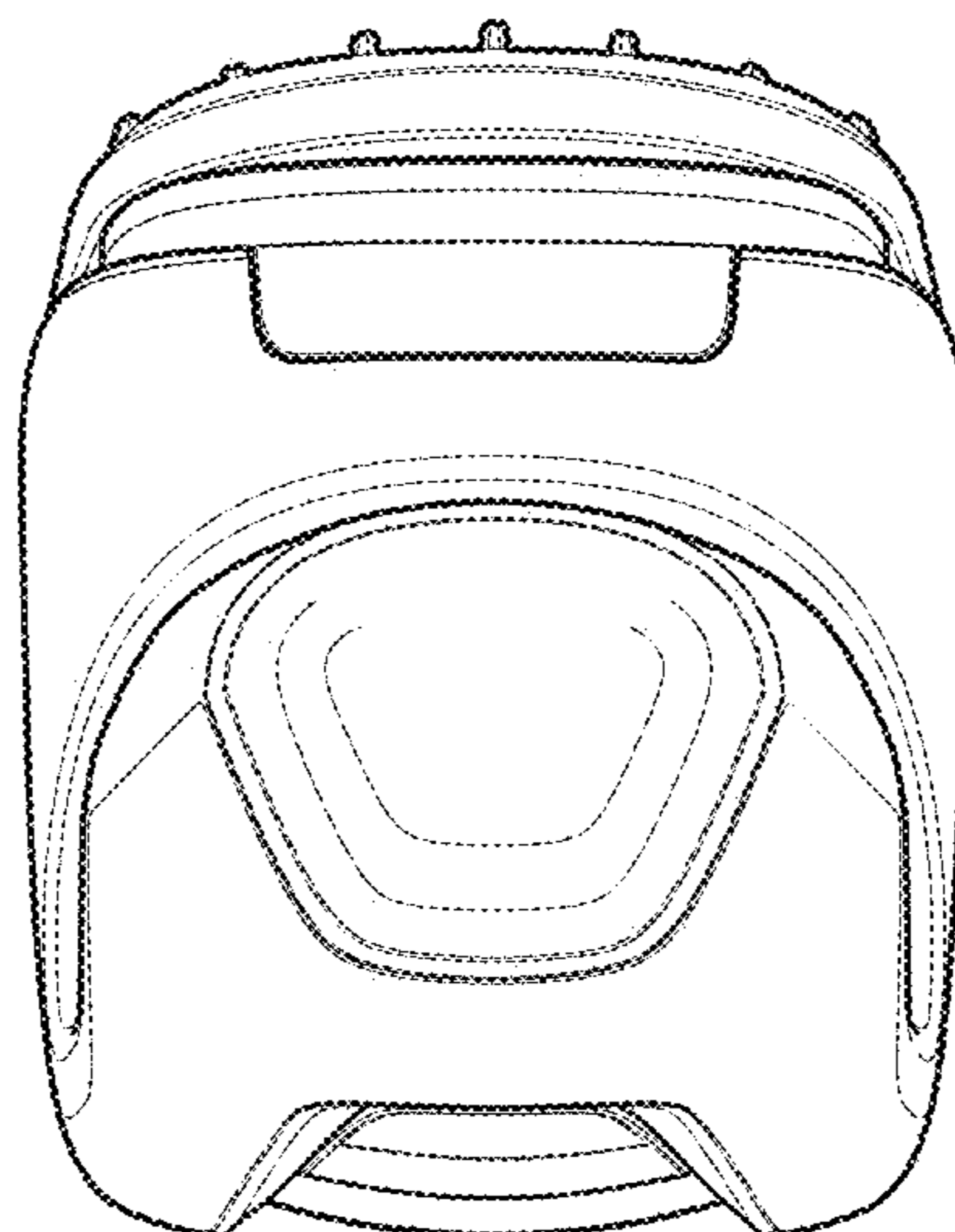


FIG. 14

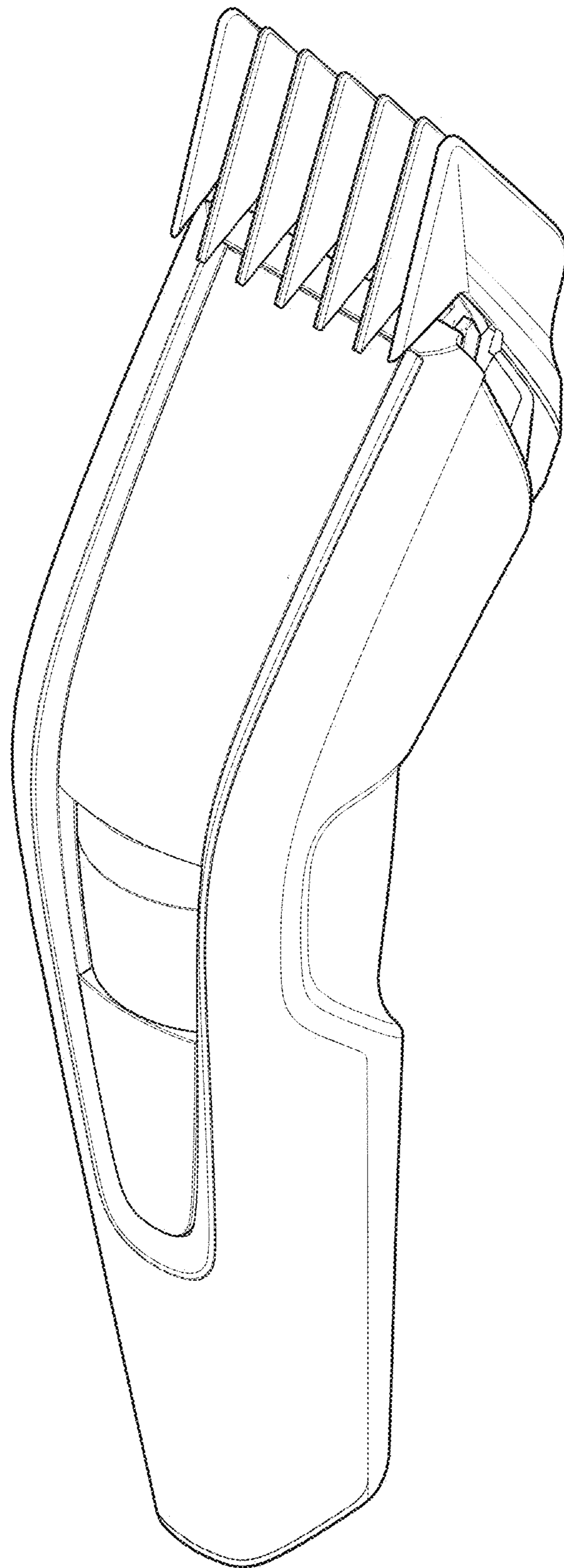


FIG. 15

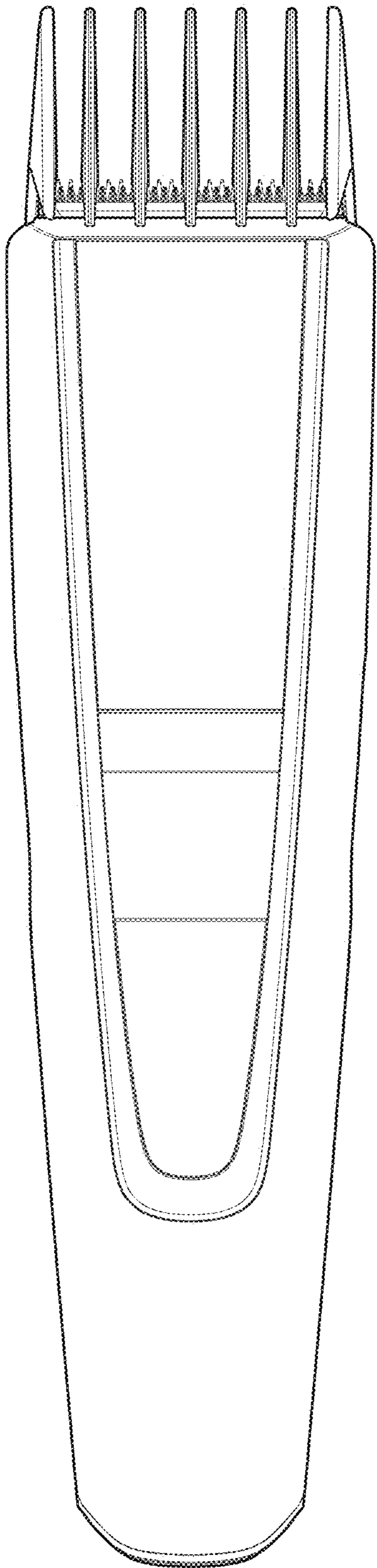


FIG. 16

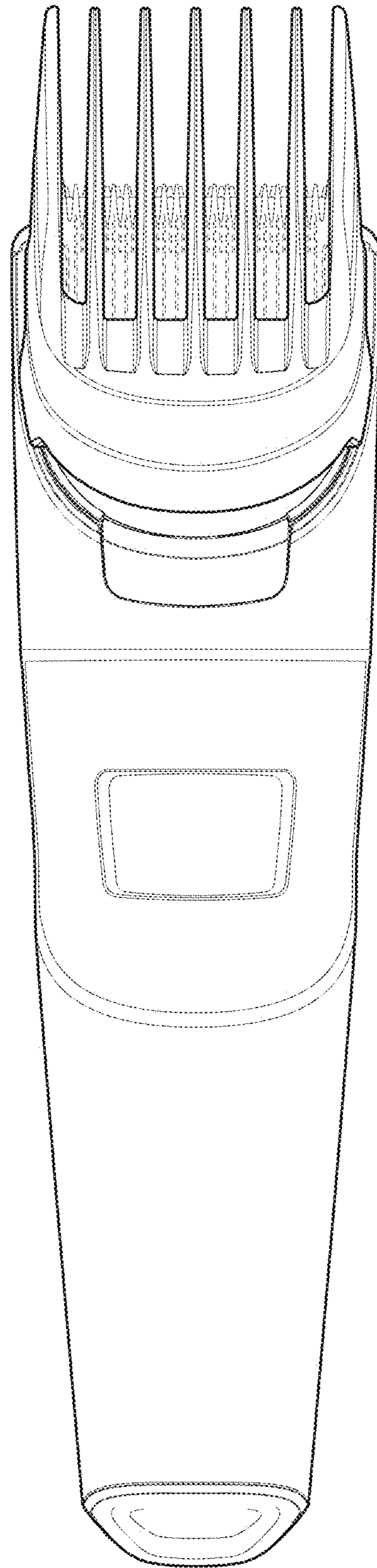


FIG. 17

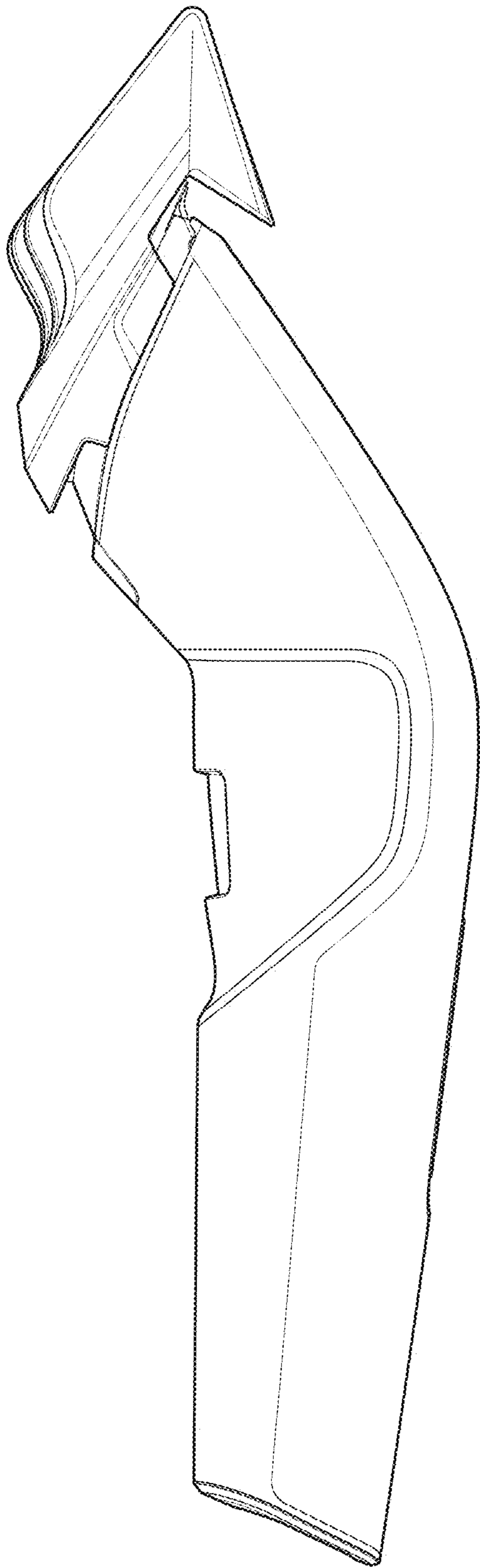


FIG. 18

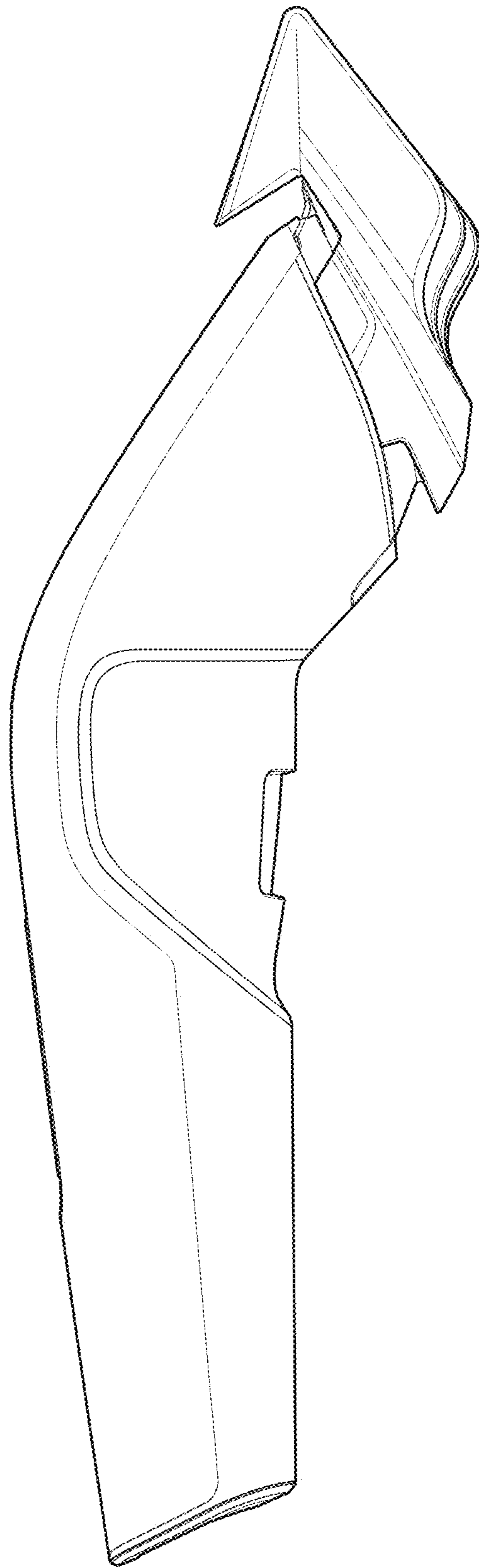


FIG. 19

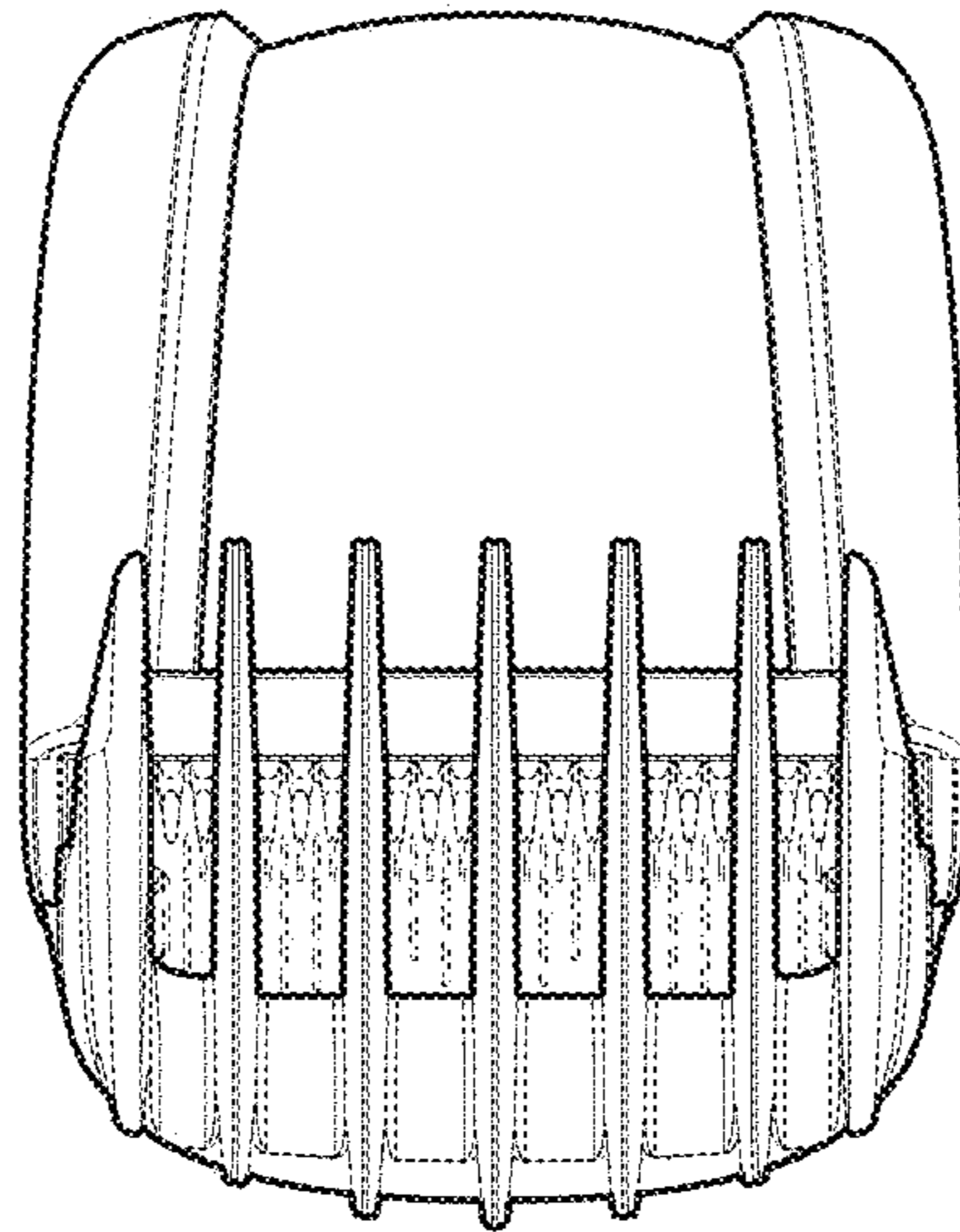


FIG. 20

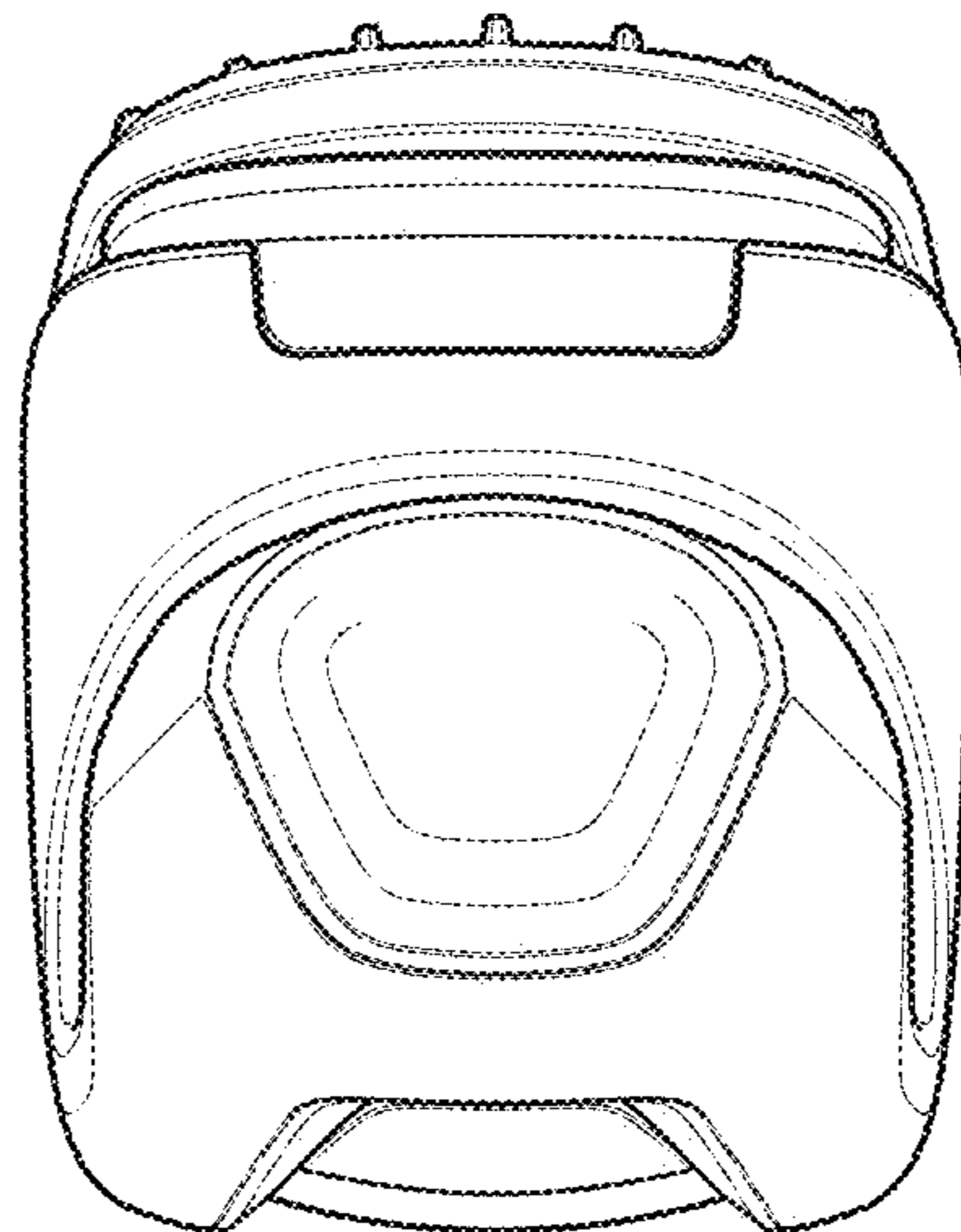


FIG. 21