



US00D931533S

(12) **United States Design Patent** (10) **Patent No.:** **US D931,533 S**  
**Brady et al.** (45) **Date of Patent:** **\*\* Sep. 21, 2021**

(54) **HAIR IRON**

ghd-Platinum-Professional-Performance-Styler/dp/B07F7Q4PTN?th=1> (Year: 2018).\*

(71) Applicant: **JEMELLA GROUP LIMITED**, Leeds (GB)

(Continued)

(72) Inventors: **Daniel Brady**, Berkshire (GB); **Adam Stone**, Richmond (GB); **Tim Hone**, Hertfordshire (GB)

*Primary Examiner* — Cynthia Ramirez

*Assistant Examiner* — Xavier Marti-Santos

(74) *Attorney, Agent, or Firm* — Stephen J. Weyer, Esq.; Stites & Harbison, PLLC

(73) Assignee: **JEMELLA GROUP LIMITED**, Leeds (GB)

(\*\*) Term: **15 Years**

(57) **CLAIM**

(21) Appl. No.: **29/713,385**

The ornamental design for a hair iron, as shown and described.

(22) Filed: **Nov. 15, 2019**

(30) **Foreign Application Priority Data**

**DESCRIPTION**

Jun. 12, 2019 (EM) ..... 006576377

Jun. 12, 2019 (EM) ..... 006576377

(Continued)

(51) **LOC (13) Cl.** ..... **28-03**

(52) **U.S. Cl.**  
USPC ..... **D28/35**

(58) **Field of Classification Search**  
USPC ..... D28/10, 35, 37, 38

(Continued)

(56) **References Cited**

**U.S. PATENT DOCUMENTS**

D514,252 S \* 1/2006 Shin ..... D28/35

D605,359 S \* 12/2009 Keong ..... D28/35

(Continued)

**FOREIGN PATENT DOCUMENTS**

JP D1666133 \* 12/2019

**OTHER PUBLICATIONS**

Ghd Platinum Hair Straightener [online], [site visited Oct. 22, 2020]. Available from internet, URL:<<https://www.amazon.com/>

FIG. 1 is a front, left side and top side perspective view of the hair iron of our design, in its closed configuration.

FIG. 2 is a front, right side and bottom side perspective view thereof.

FIG. 3 is a top plan view thereof.

FIG. 4 is a bottom view thereof.

FIG. 5 is a left side elevation view thereof, the right side being a mirror image thereof.

FIG. 6 is a front elevation view thereof.

FIG. 7 is a rear elevation view thereof.

FIG. 8 is a front, left side and top side perspective view of the hair iron of our design, in its opened configuration.

FIG. 9 is a front, right side and bottom side perspective view thereof.

FIG. 10 is a top plan view thereof.

FIG. 11 is a bottom view thereof.

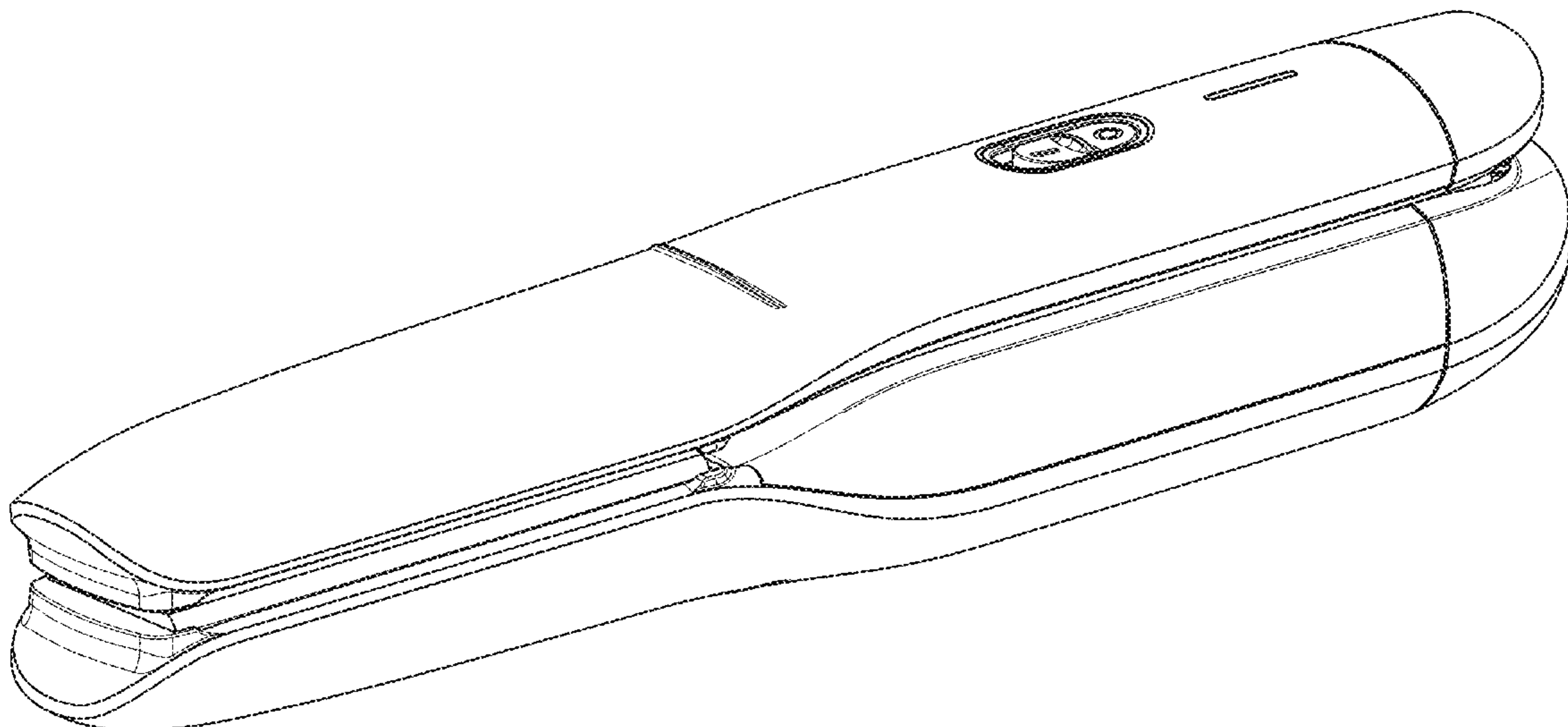
FIG. 12 is a left side elevation view thereof and the right side being a mirror image thereof.

FIG. 13 is a front elevation view thereof; and,

FIG. 14 is a rear elevation view thereof.

Broken lines in the figures are for the purpose of illustrating portions of the hair iron which form no part of the claimed design.

**1 Claim, 14 Drawing Sheets**



(30) **Foreign Application Priority Data**

Jun. 12, 2019 (EM) ..... 006576377  
Jun. 12, 2019 (EM) ..... 006576377

(58) **Field of Classification Search**

CPC ..... A45D 2/00; A45D 2001/045; A45D 1/16;  
A45D 1/04; A45D 1/18; A45D 1/06-14;  
A45D 2/02-10; A45D 2/38-42; A45D  
2/001-002

See application file for complete search history.

(56) **References Cited**

U.S. PATENT DOCUMENTS

D649,288 S \* 11/2011 Koehler ..... D28/35  
D650,128 S \* 12/2011 Hein ..... D28/35  
D654,621 S \* 2/2012 Grienay ..... D28/35  
D672,088 S \* 12/2012 Julemont ..... D28/35  
D682,467 S \* 5/2013 Kim ..... D28/35  
D682,468 S \* 5/2013 Kim ..... D28/35  
D825,848 S \* 8/2018 Brady ..... D28/35  
D913,589 S \* 3/2021 Thalmann ..... D28/35

OTHER PUBLICATIONS

Hair Straightener and Curler, BESTOPE Professional Ceramic 2 In 1 Flat Iron for Hair [online], [site visited Oct. 22, 2020]. Available from internet, URL:<<https://www.amazon.com/BESTOPE-Straightener-Professional-Tourmaline-Technology/dp/B07VYPSVF7>> (Year: 2019).\*

\* cited by examiner

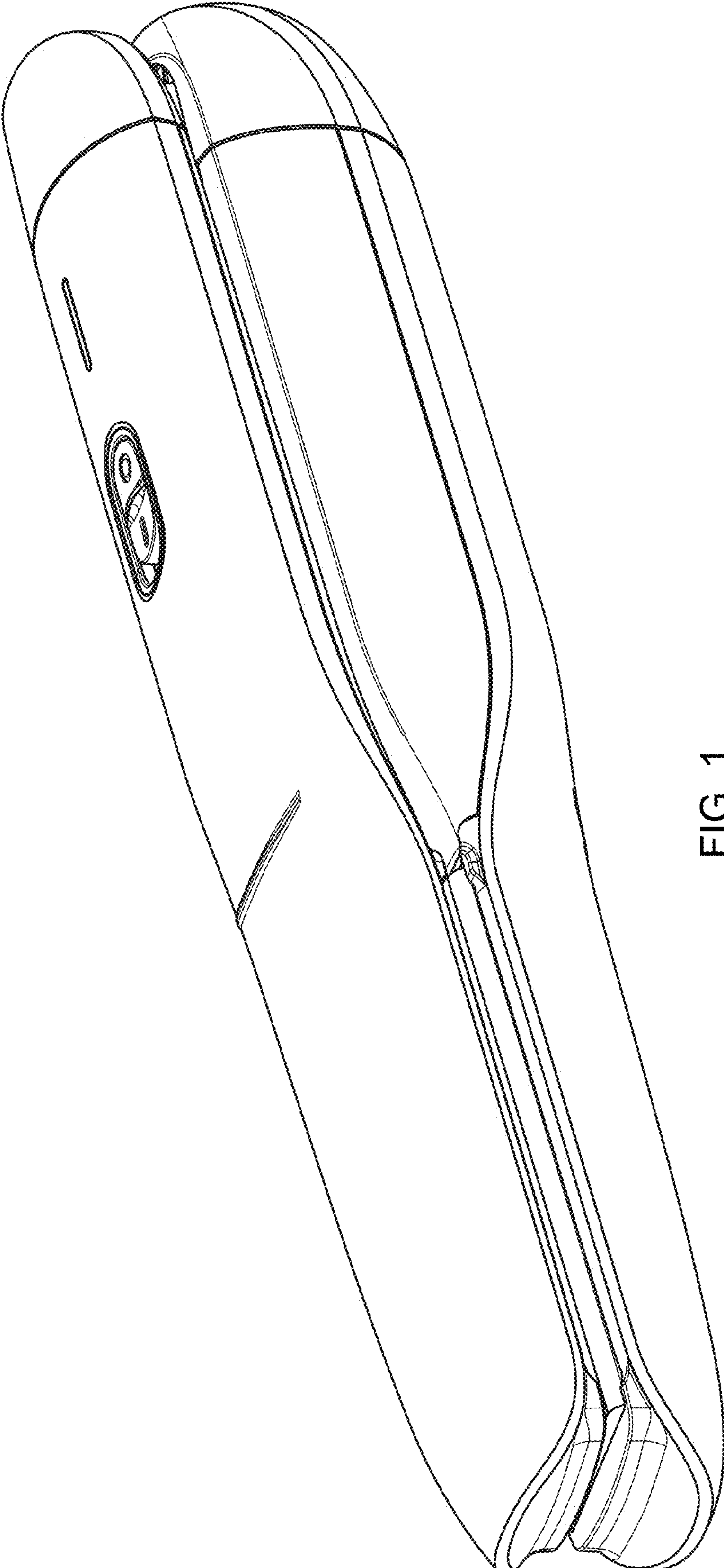


FIG. 1

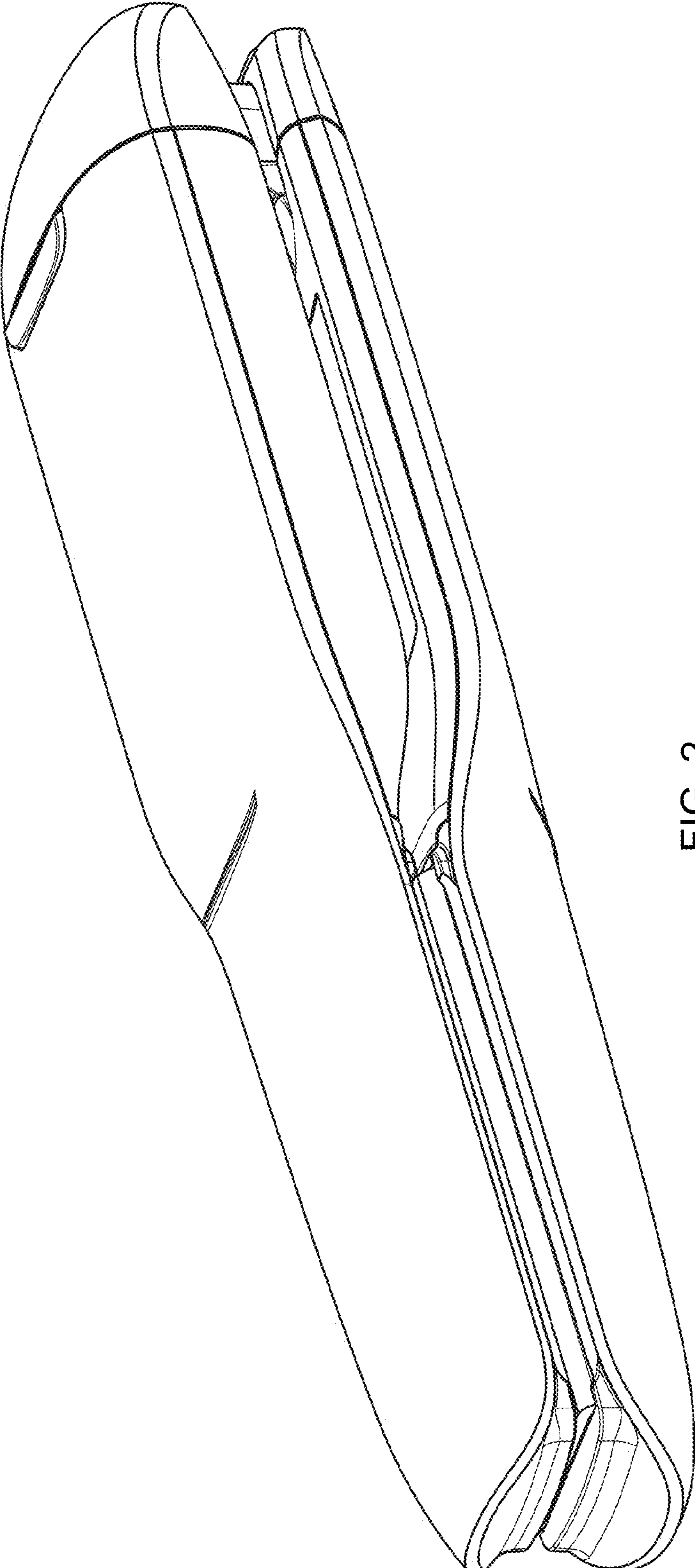


FIG. 2



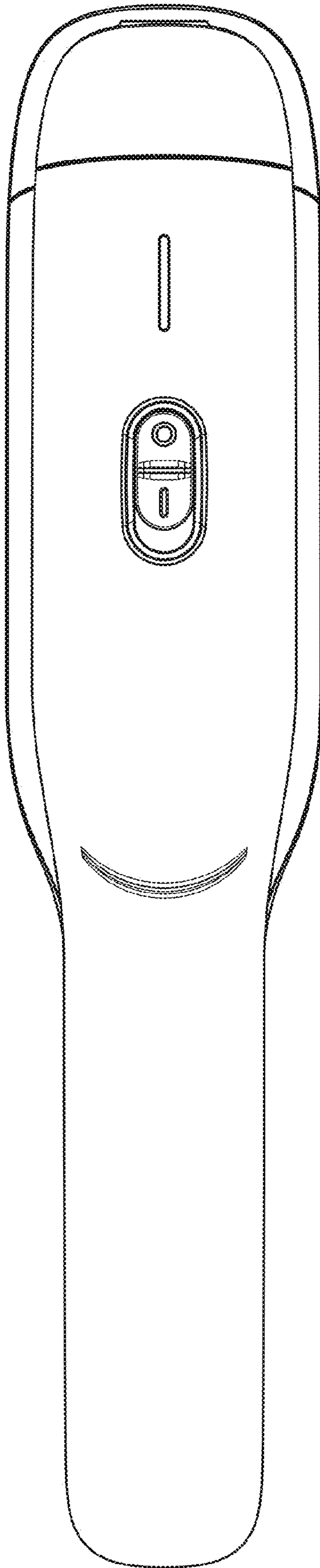


FIG. 3

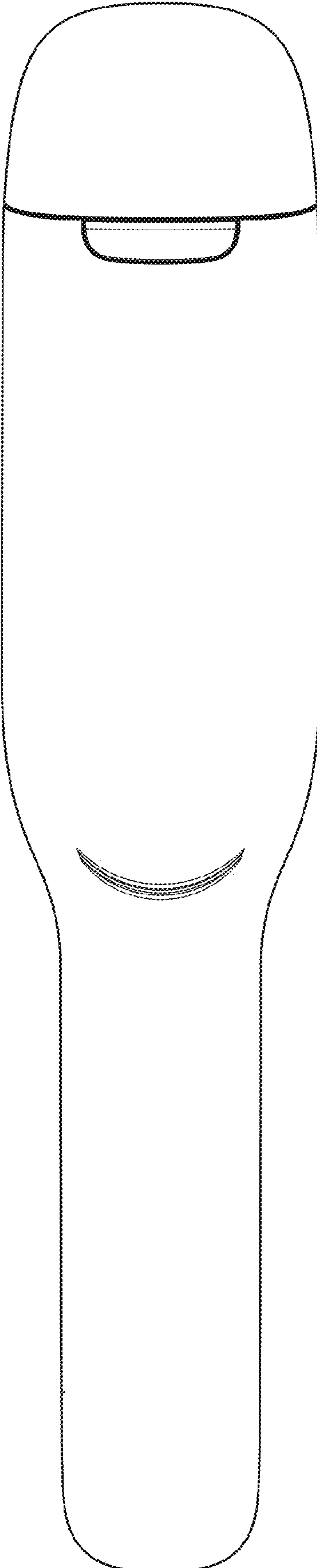


FIG. 4

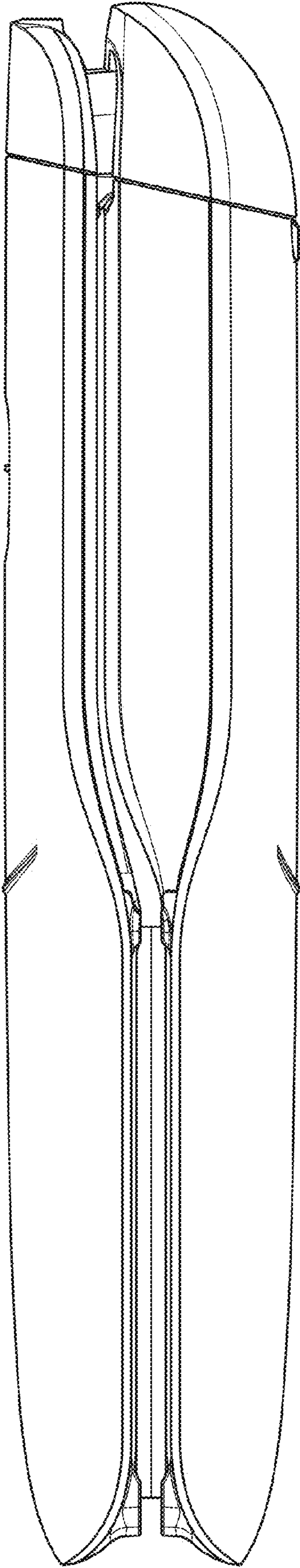


FIG. 5

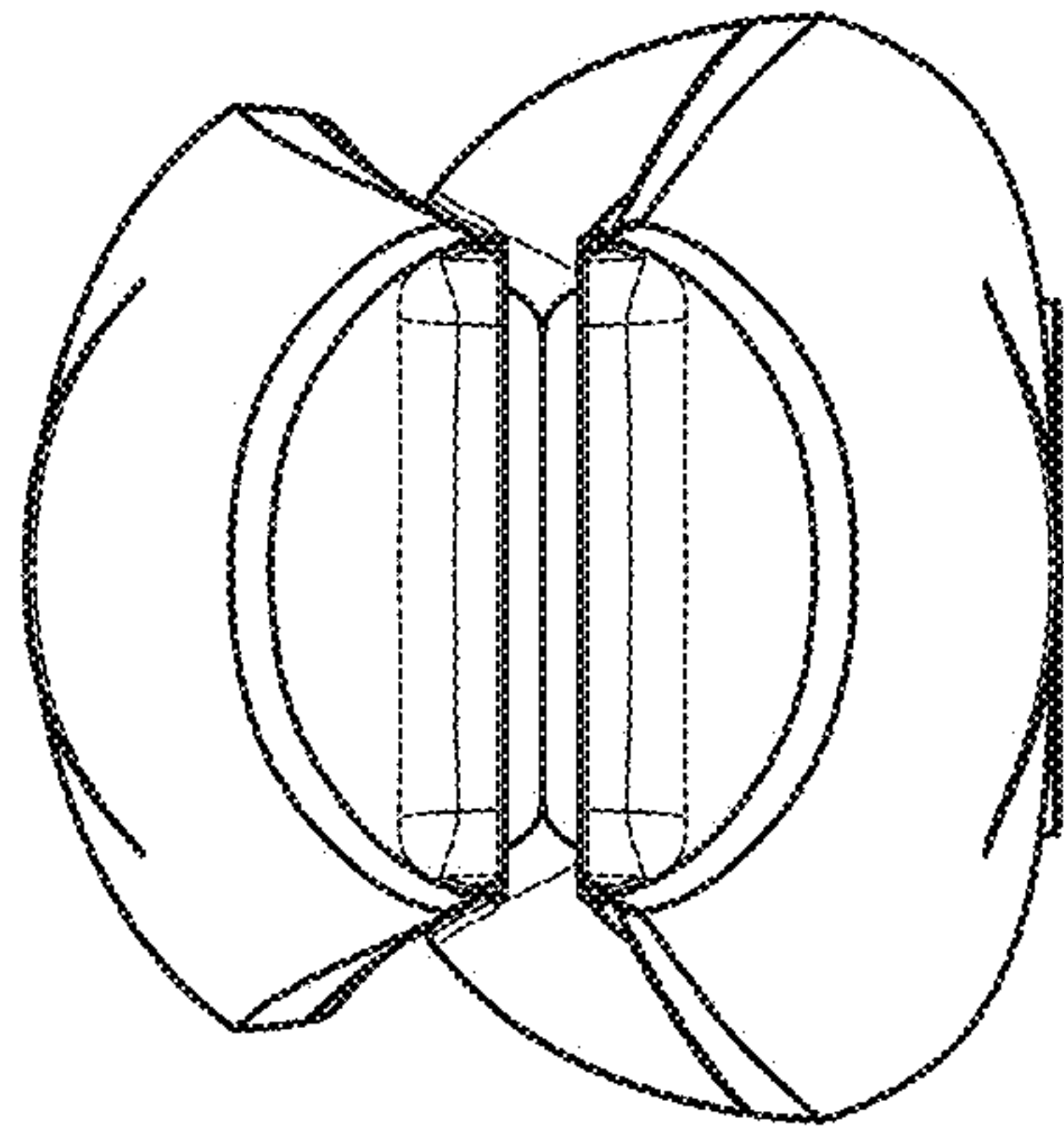


FIG. 6



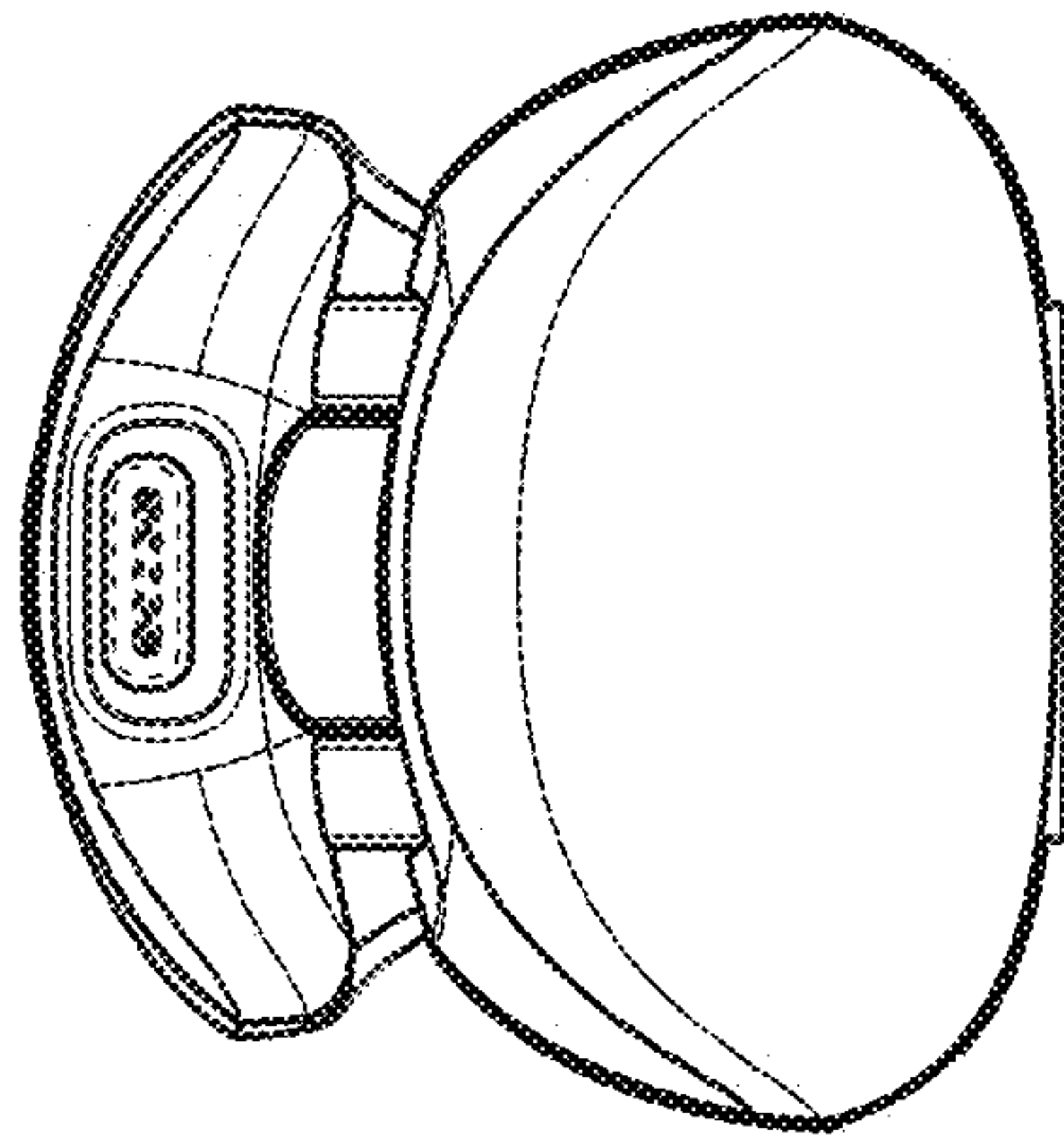


FIG. 7

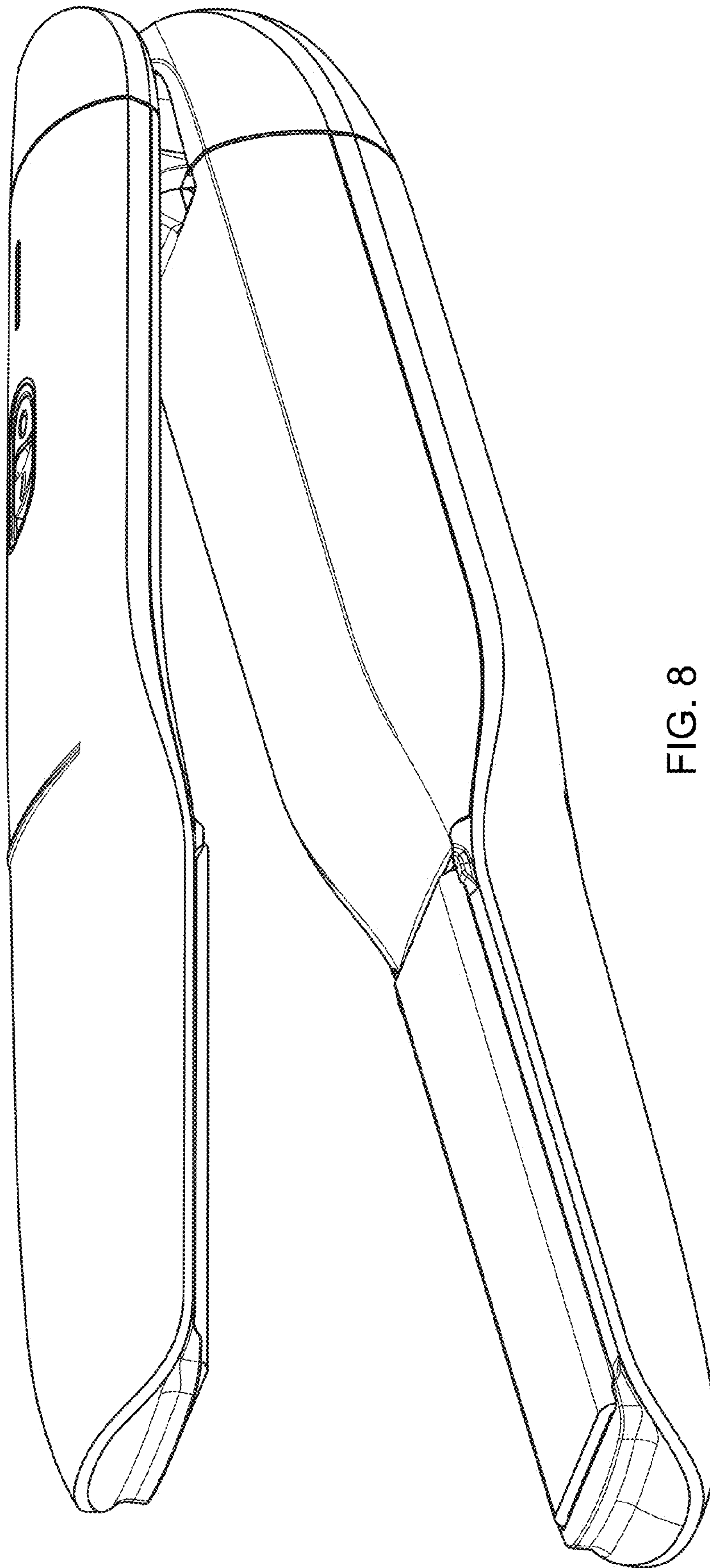


FIG. 8

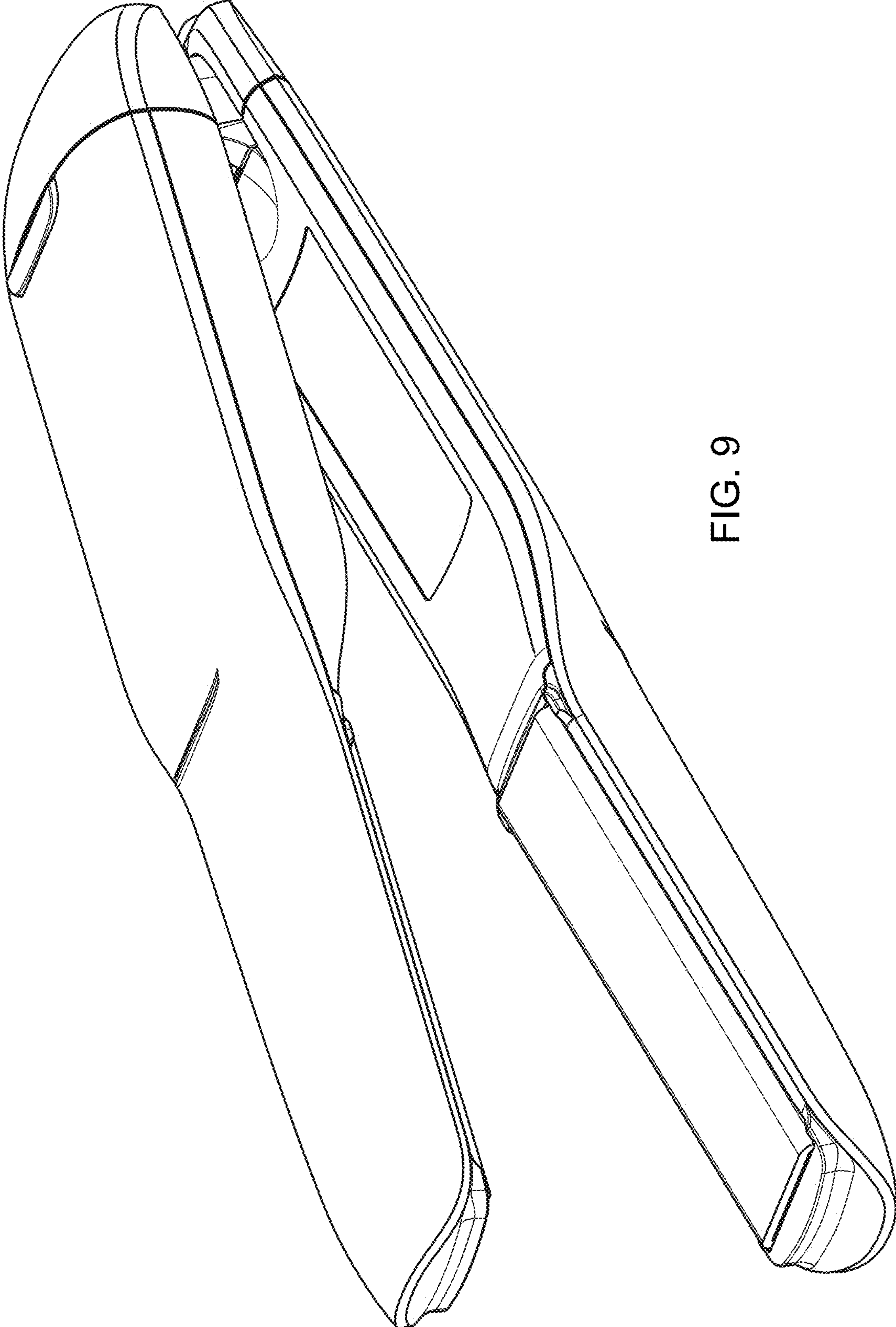


FIG. 9

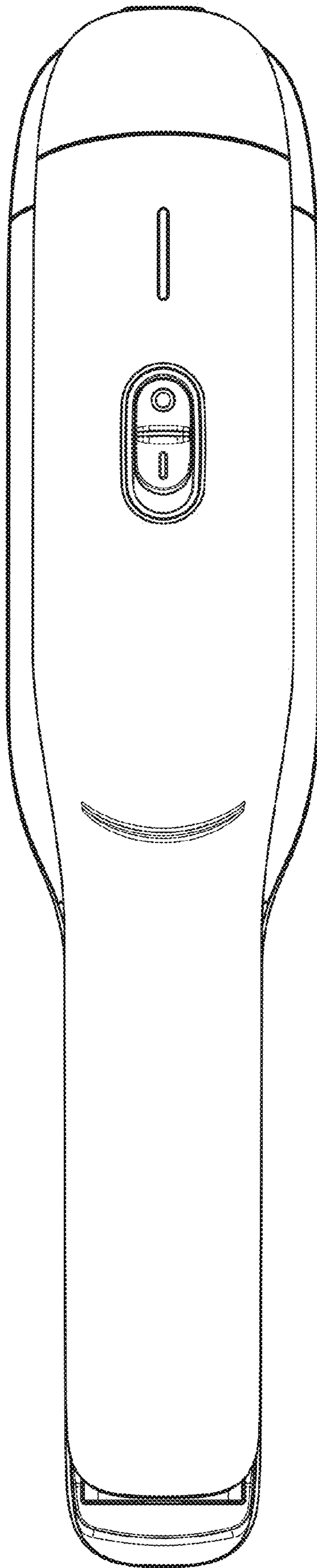


FIG. 10

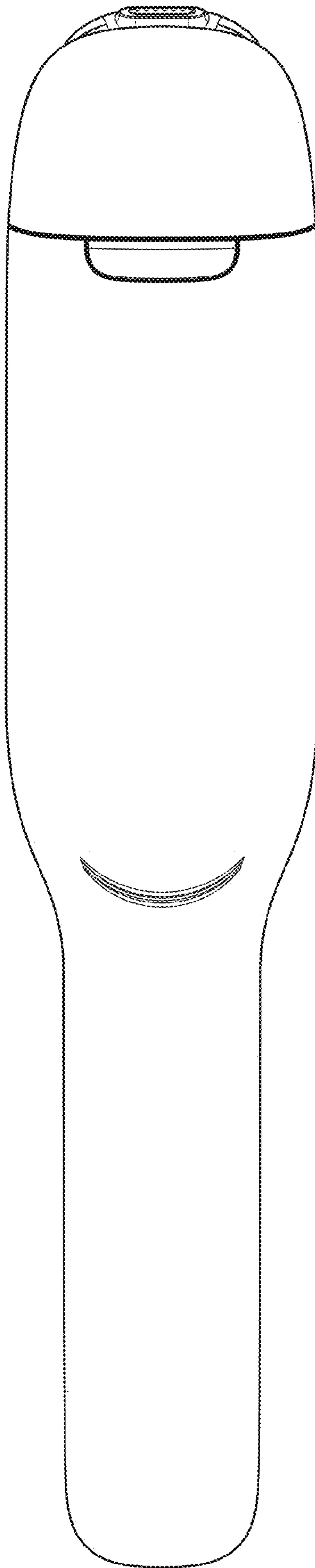


FIG. 11



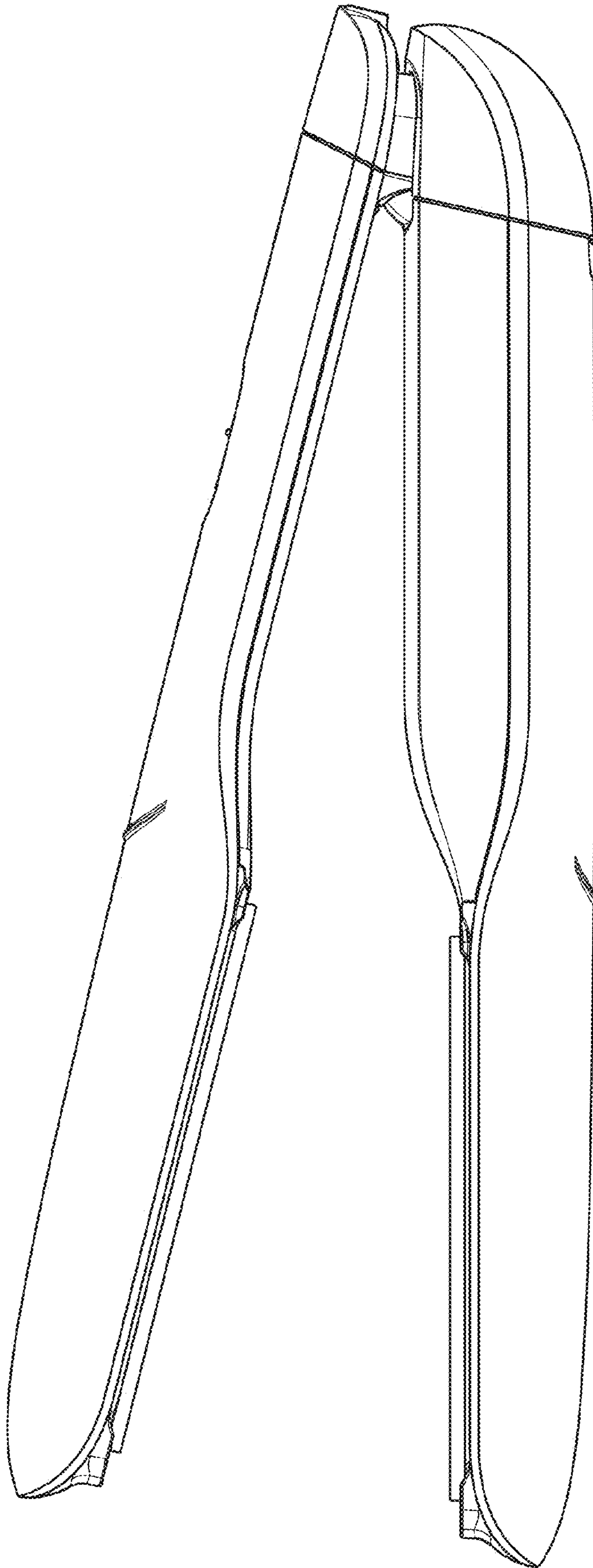


FIG. 12

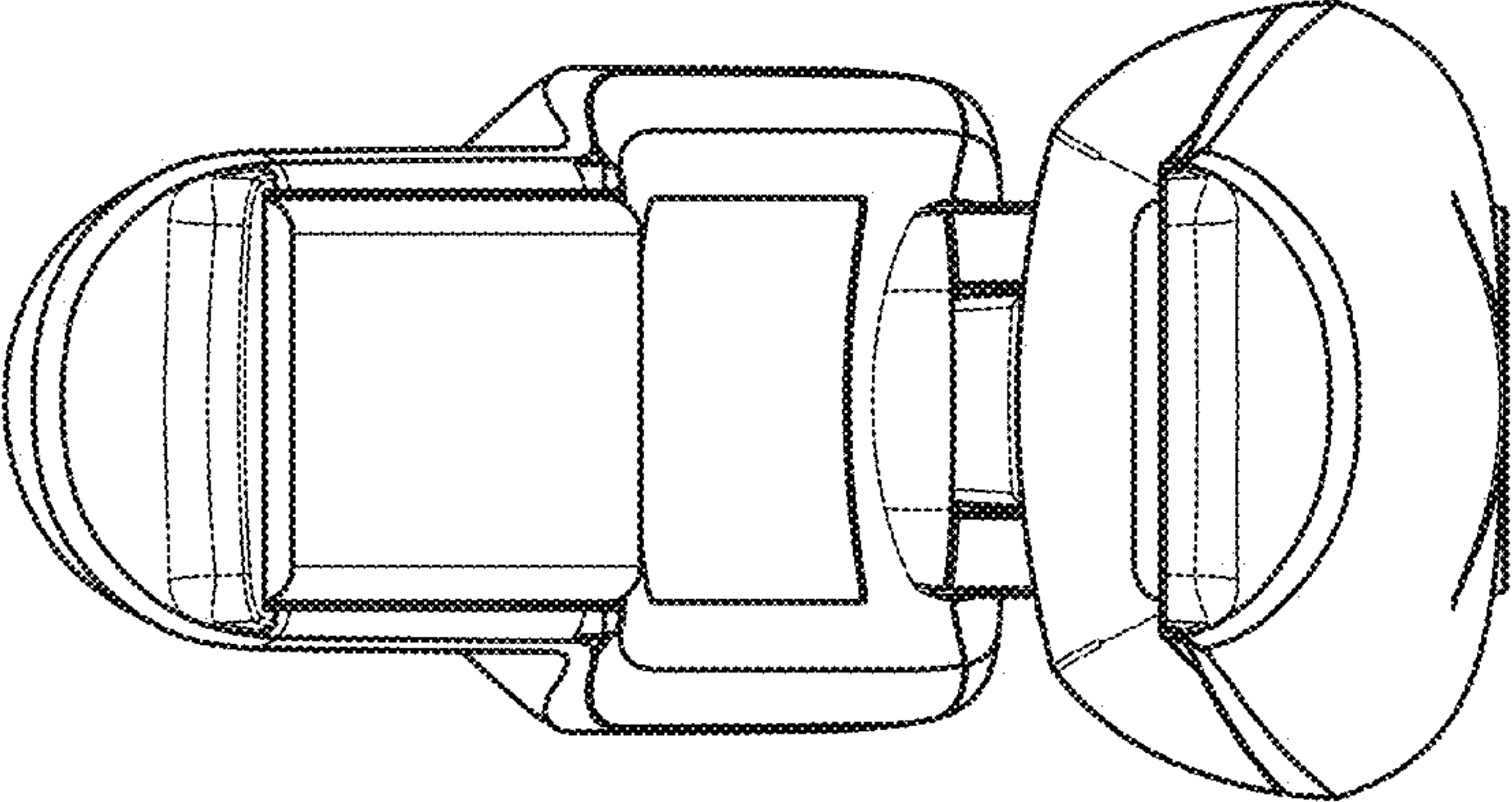


FIG. 13

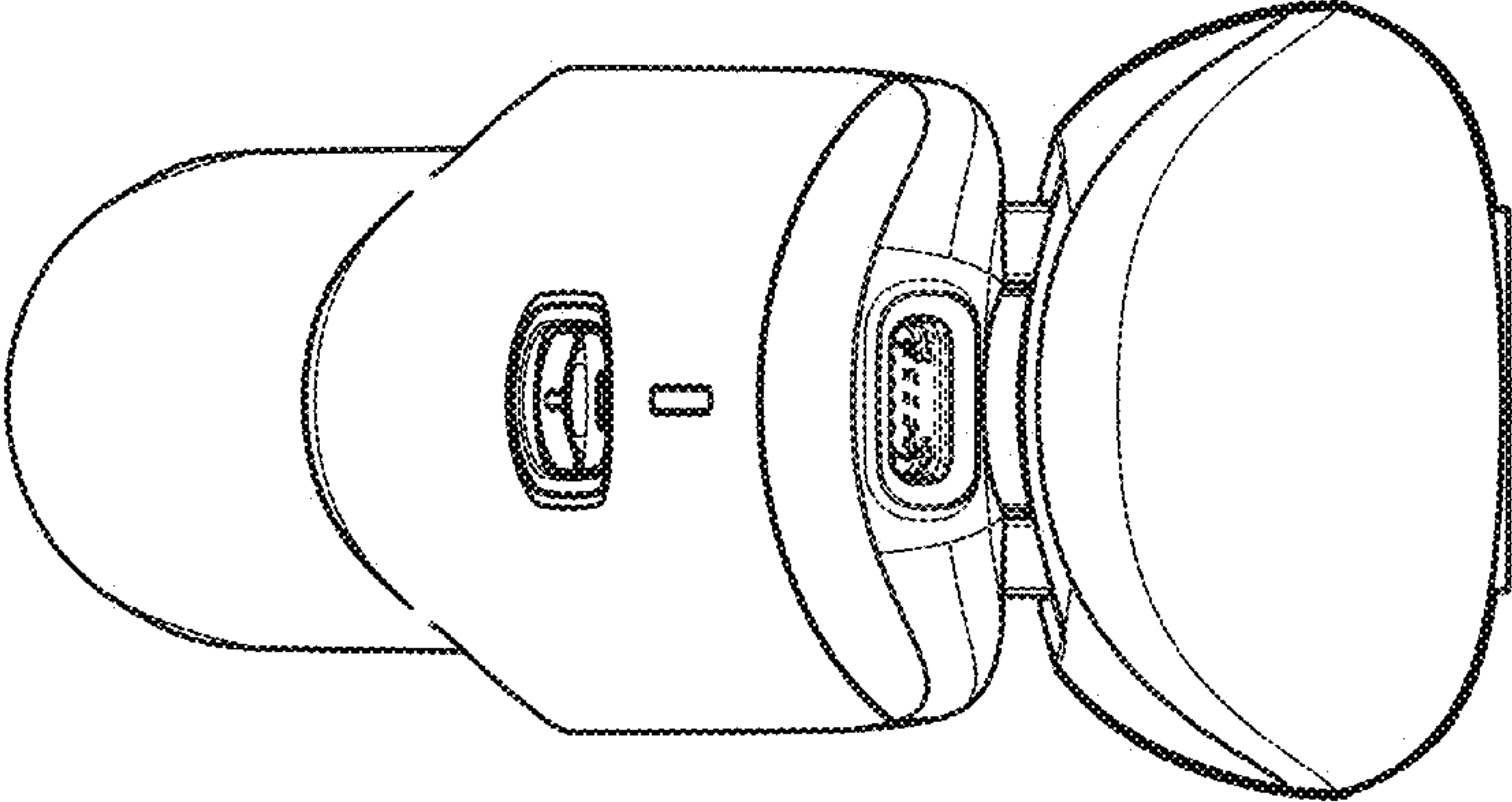


FIG. 14