



US00D931532S

(12) **United States Design Patent** (10) **Patent No.:** **US D931,532 S**
de Gouzillon de Belizal (45) **Date of Patent:** **** Sep. 21, 2021**

(54) **HAIR DRYER**
(71) Applicant: **BABYLISS FACO SPRL**, Wandre (BE)
(72) Inventor: **Charles de Gouzillon de Belizal**, Herstal (BE)
(73) Assignee: **BABYLISS FACO SRL**, Wandre (BE)
(**) Term: **15 Years**
(21) Appl. No.: **35/508,983**
(22) Filed: **Jan. 15, 2020**
(80) **Hague Agreement Data**
Int. Filing Date: **Jan. 15, 2020**
Int. Reg. No.: **DM/206689**
Int. Reg. Date: **Jan. 15, 2020**
Int. Reg. Pub. Date: **Apr. 3, 2020**

(30) **Foreign Application Priority Data**
Jul. 31, 2020 (EP) 006656104-0002
(51) **LOC (13) Cl.** **28-03**
(52) **U.S. Cl.** **D28/13**
USPC
(58) **Field of Classification Search**
USPC ... D28/9, 10, 21, 35, 37, 38, 11, 12, 13, 99, D28/16, 36
CPC A45D 20/00; A45D 20/04; A45D 20/06; A45D 20/08; A45D 20/10; A45D 20/12; A45D 20/122; A45D 20/124; A45D 20/126; A45D 20/128; A45D 20/14; A45D 20/18
See application file for complete search history.

(56) **References Cited**
U.S. PATENT DOCUMENTS
D469,574 S * 1/2003 Lai D28/13
D502,783 S * 3/2005 Yeung D28/13

D606,247 S * 12/2009 Yu D28/13
D672,496 S * 12/2012 Julemont D28/13
D681,275 S * 4/2013 Huang D28/13
D715,485 S * 10/2014 Parodi A45D 20/12 D28/13
D758,657 S * 6/2016 Hary D28/13
D821,647 S * 6/2018 Parodi D28/13

FOREIGN PATENT DOCUMENTS

CN 201930229824.X * 5/2019

OTHER PUBLICATIONS

Amazon, Confu Iconic Hair Dryer, posted Dec. 21, 2018, [online], [visited Feb. 3, 2021]. Internet, <URL: <https://www.amazon.co.uk/dp/B07M8ZGMTC/ref>> (Year: 2018).*
Amazon, PluieSoleil Professional Women Hair Dryer, posted Apr. 21, 2019, [online], [visited Feb. 3, 2021]. Internet, <URL: <https://www.amazon.co.uk/dp/B07QWK754V/ref>> (Year: 2019).*
Amazon, Parlux Alyon Hairdryer, posted Apr. 16, 2018, [online], [visited Feb. 3, 2021]. Internet, <URL: <https://www.amazon.co.uk/Parlux-Alyon-Hairdryer-Matt-Black/dp/B07C7WHJ8J/ref>> (Year: 2018).*

* cited by examiner

Primary Examiner — George D. Kirschbaum
Assistant Examiner — Samantha N Wood

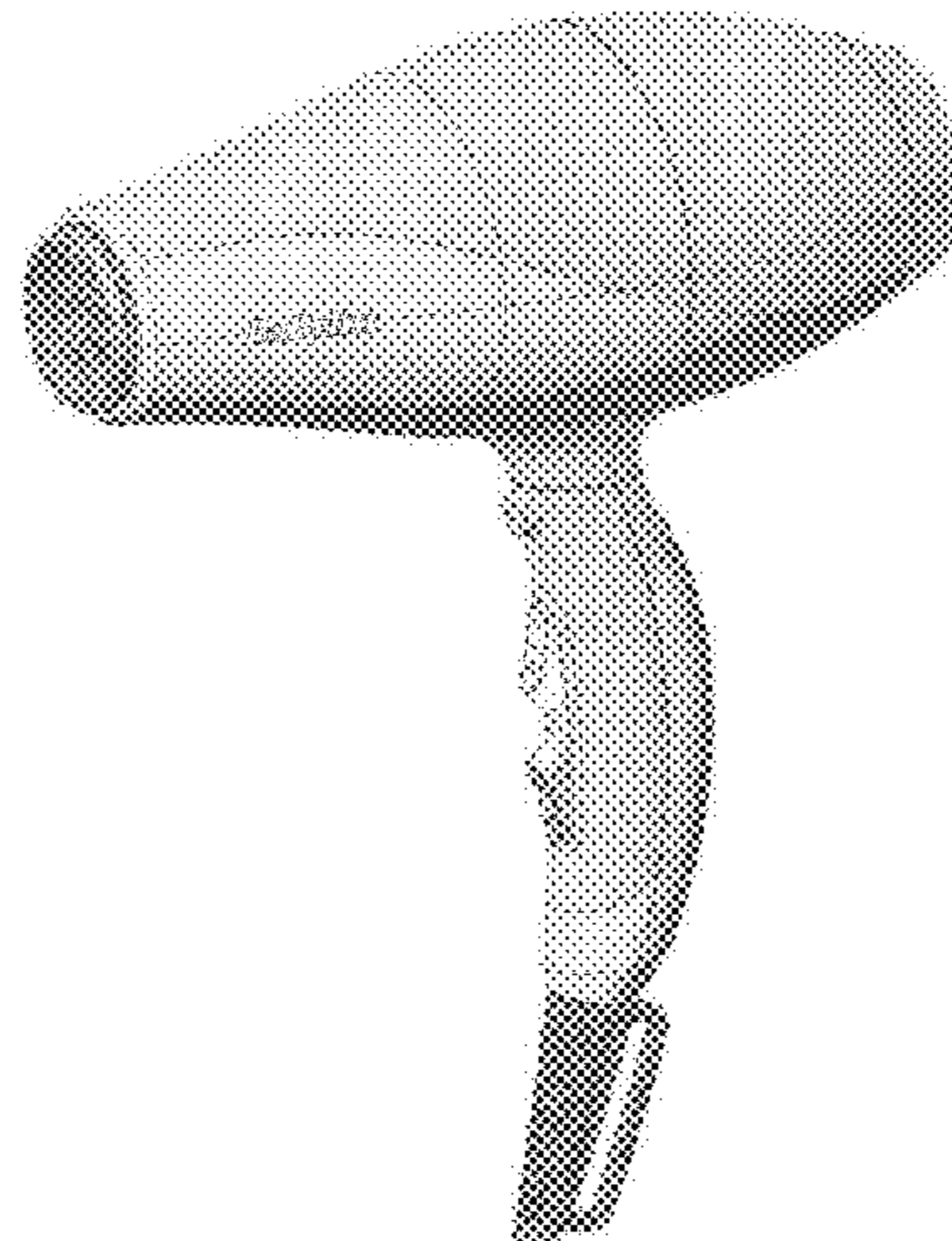
(57) **CLAIM**

The ornamental design for a hair dryer, as shown and described.

DESCRIPTION

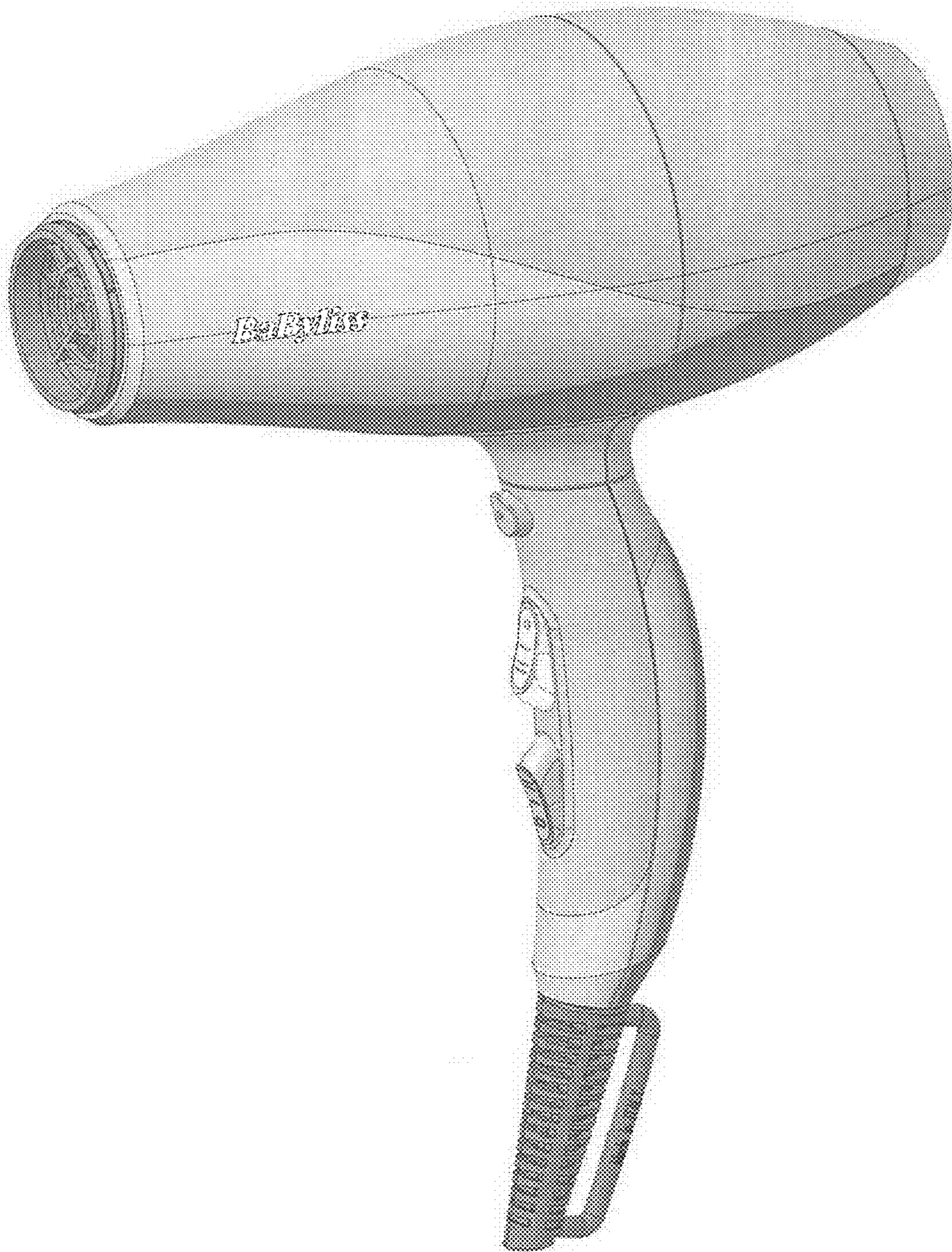
Figure 1.1 is a perspective view of a hair dryer showing our new design;
Figure 1.2 is a front plan view thereof;
Figure 1.3 is a bottom view thereof;
Figure 1.4 is a left side view thereof;
Figure 1.5 is a rear perspective view thereof;
Figure 1.6 is a rear view thereof;
Figure 1.7 is a top view thereof; and
Figure 1.8 is a right side view thereof.

(Continued)

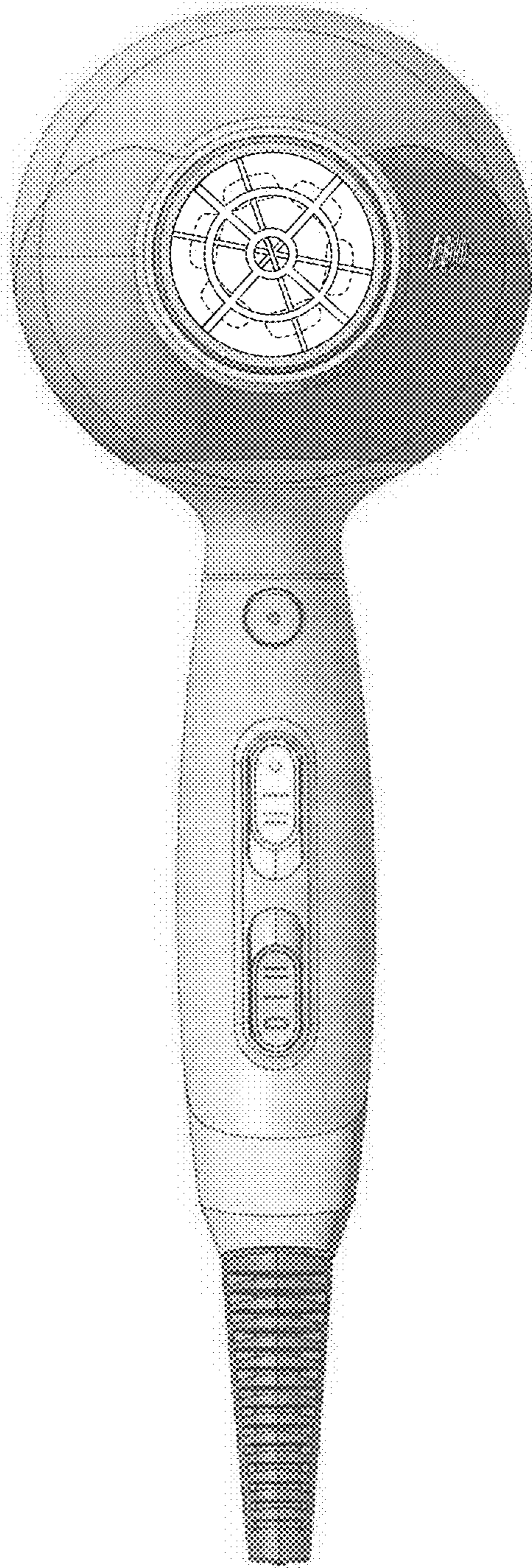


In the drawings, the portions of the article shown in broken lines do not form any part of the claimed design.

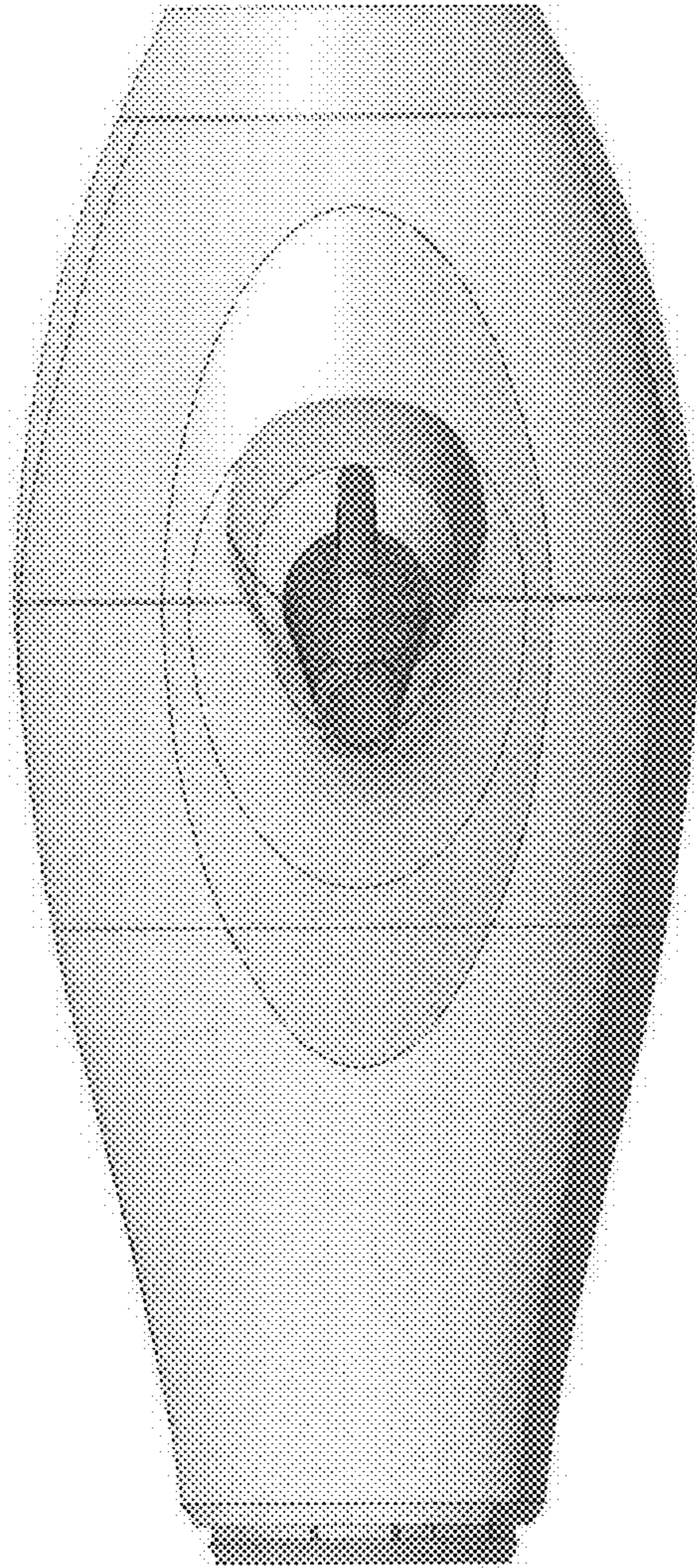
1 Claim, 8 Drawing Sheets



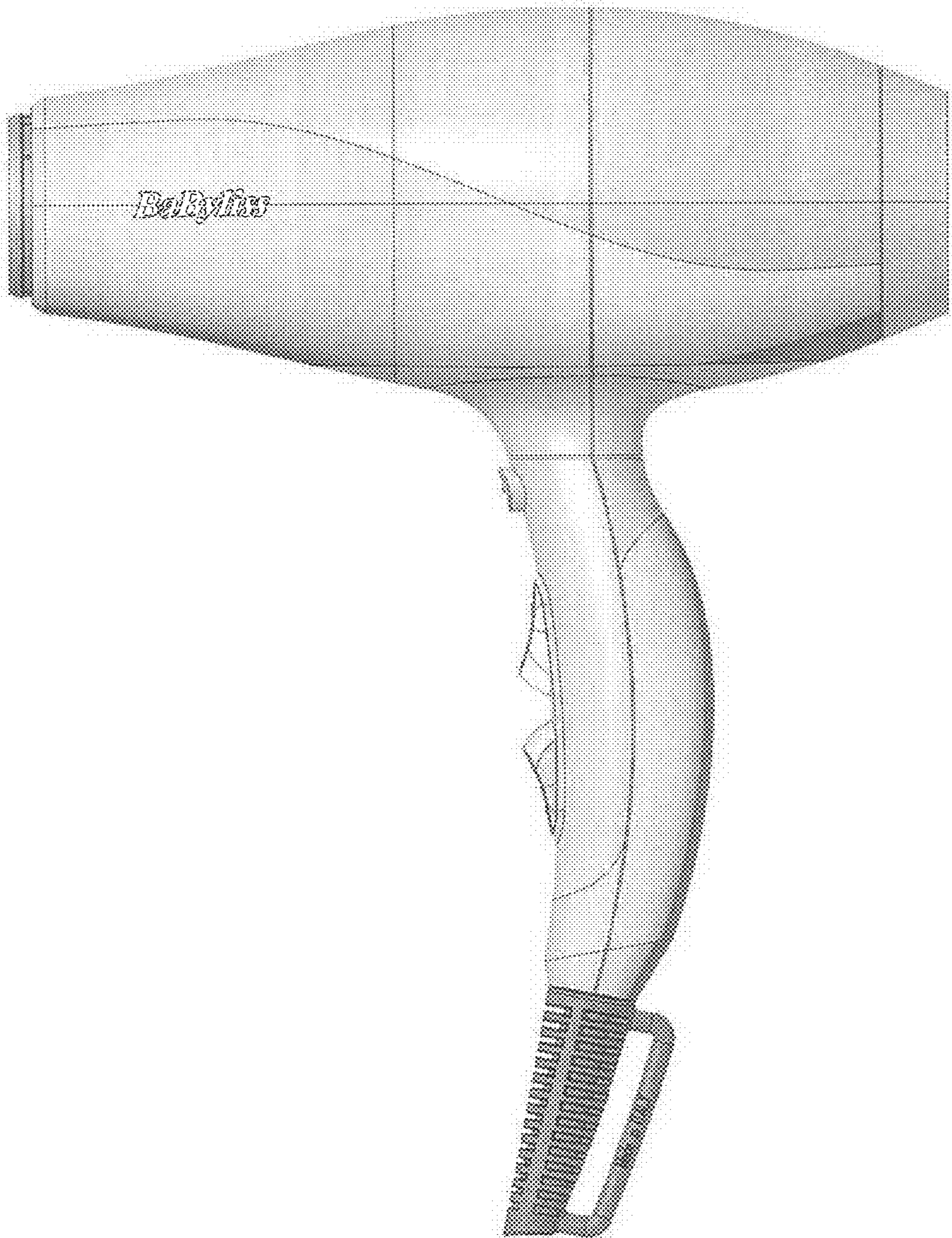
1.1



1.2



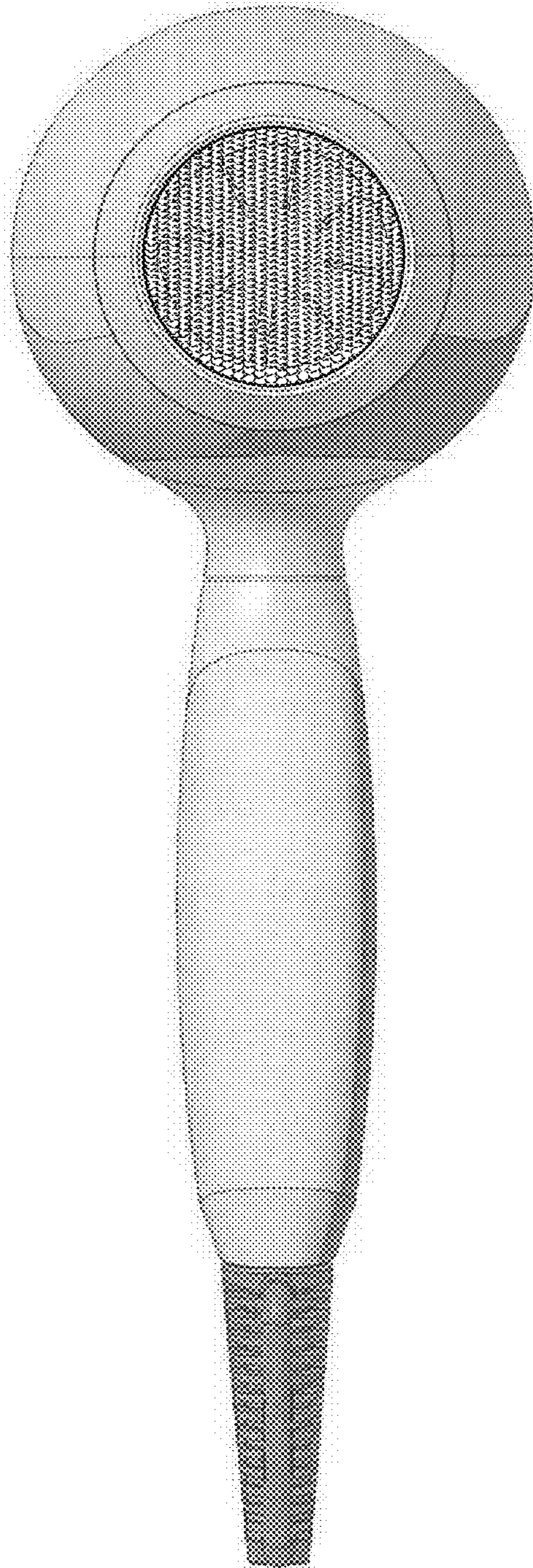
1.3



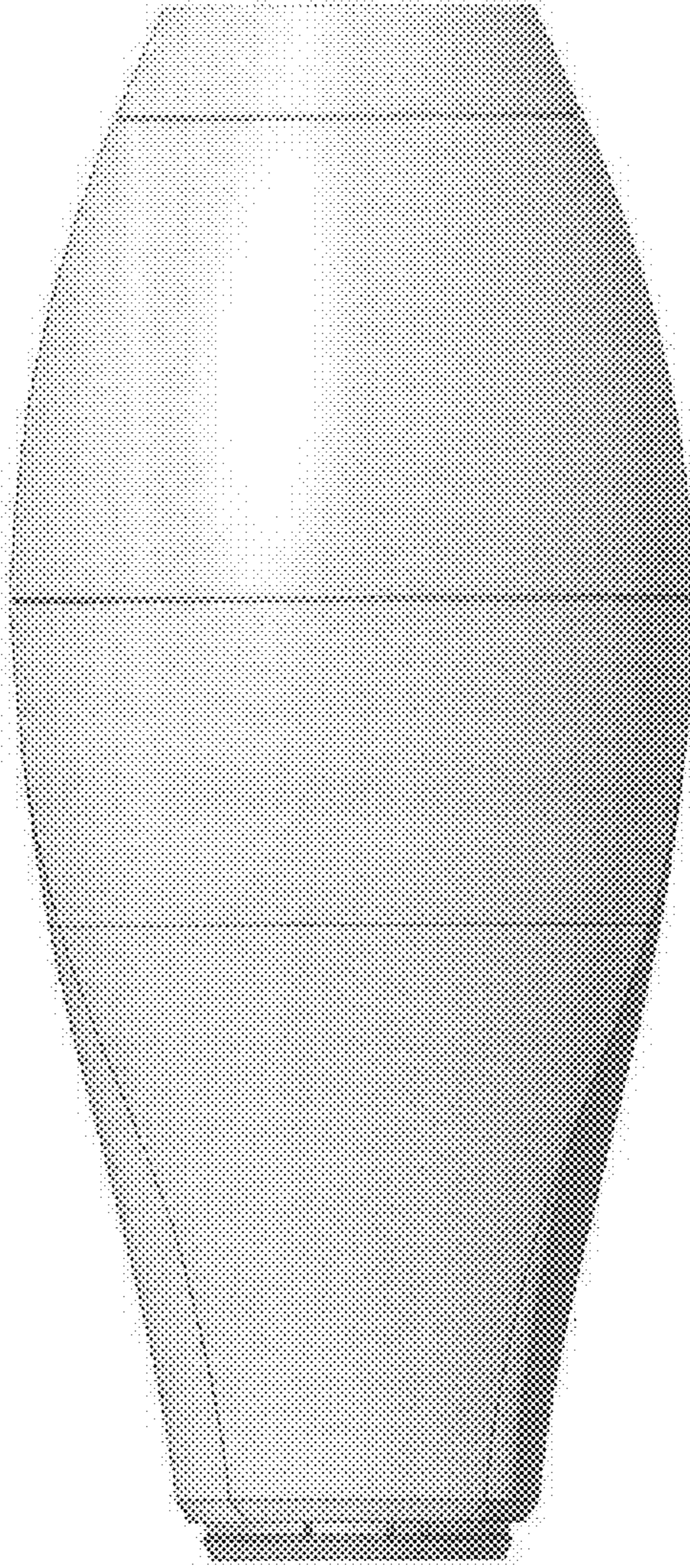
1.4



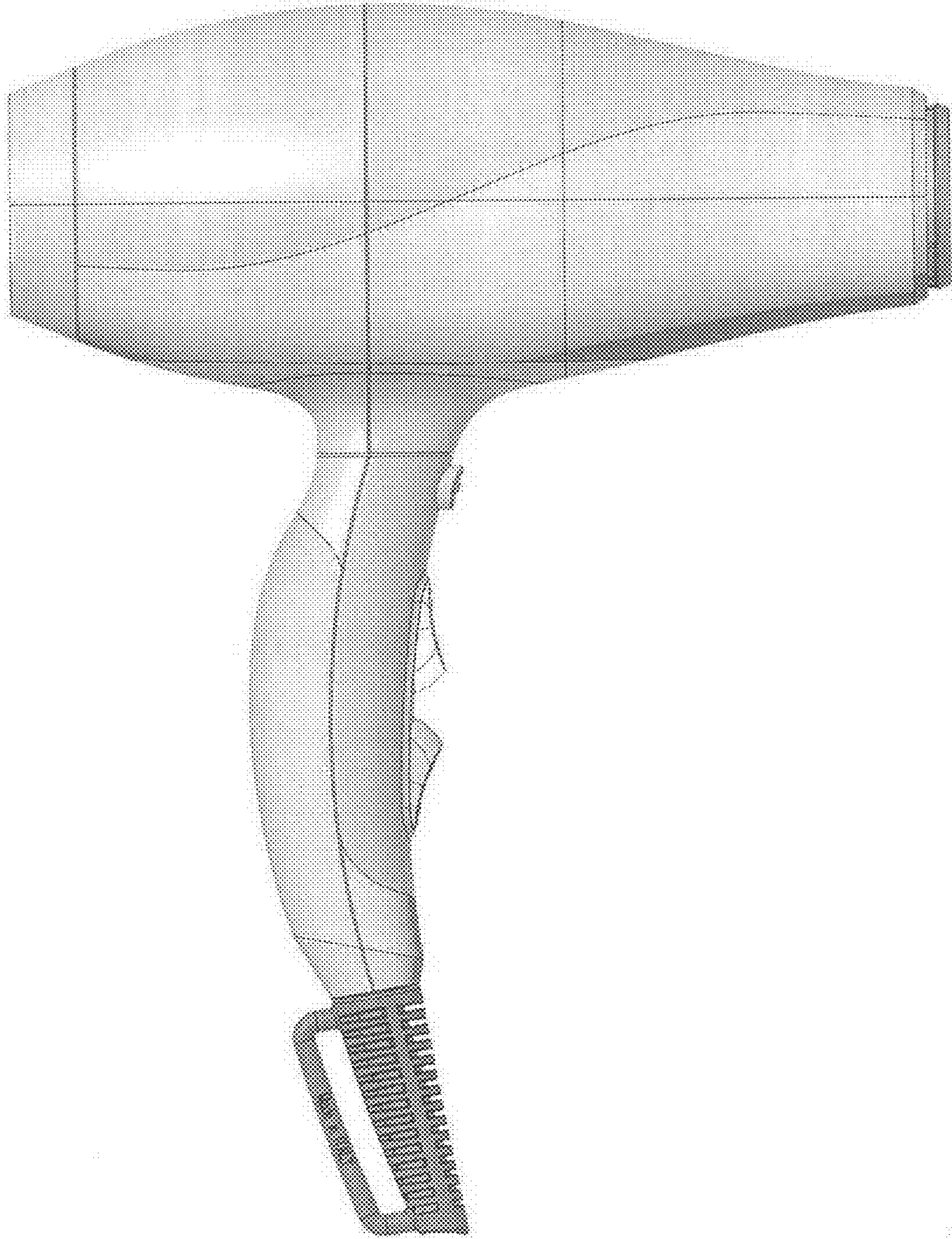
1.5



1.6



1.7



1.8