



US00D931531S

(12) **United States Design Patent**
Chen

(10) **Patent No.:** **US D931,531 S**

(45) **Date of Patent:** **** Sep. 21, 2021**

(54) **HAIR DRIER**
(71) Applicant: **Shihui Chen**, Taizhou (CN)
(72) Inventor: **Shihui Chen**, Taizhou (CN)
(**) Term: **15 Years**
(21) Appl. No.: **29/727,739**
(22) Filed: **Mar. 12, 2020**

4,903,416 A * 2/1990 Levin A45D 1/02
126/401
D341,302 S * 11/1993 Ware D8/29.1
5,839,204 A * 11/1998 Cinque A45D 20/10
34/97
D537,565 S * 2/2007 Shin D28/13
D537,566 S * 2/2007 Kondo D28/13
D635,835 S * 4/2011 Post D8/14.1
D859,738 S * 9/2019 Huang D28/13
D861,246 S * 9/2019 Hsu D28/13
D901,768 S * 11/2020 Ceva D28/13

* cited by examiner

(30) **Foreign Application Priority Data**

Nov. 21, 2019 (CN) 201930641609.0

(51) **LOC (13) Cl.** **28-03**

(52) **U.S. Cl.**
USPC **D28/13**

(58) **Field of Classification Search**
USPC D28/12-19; D8/29.1
CPC A45D 20/00; A45D 20/08; A45D 20/10;
A45D 20/12; A45D 20/122; A45D
20/124; A45D 2020/128
See application file for complete search history.

(56) **References Cited**

U.S. PATENT DOCUMENTS

D248,048 S * 5/1978 Cousins D28/13
4,132,360 A * 1/1979 Lee, Jr. A45D 20/124
239/383
D257,492 S * 11/1980 Cousins D28/13
D280,338 S * 8/1985 Skarsten D28/13
D299,874 S * 2/1989 Yamagami D28/13

Primary Examiner — Zenia I Bennett

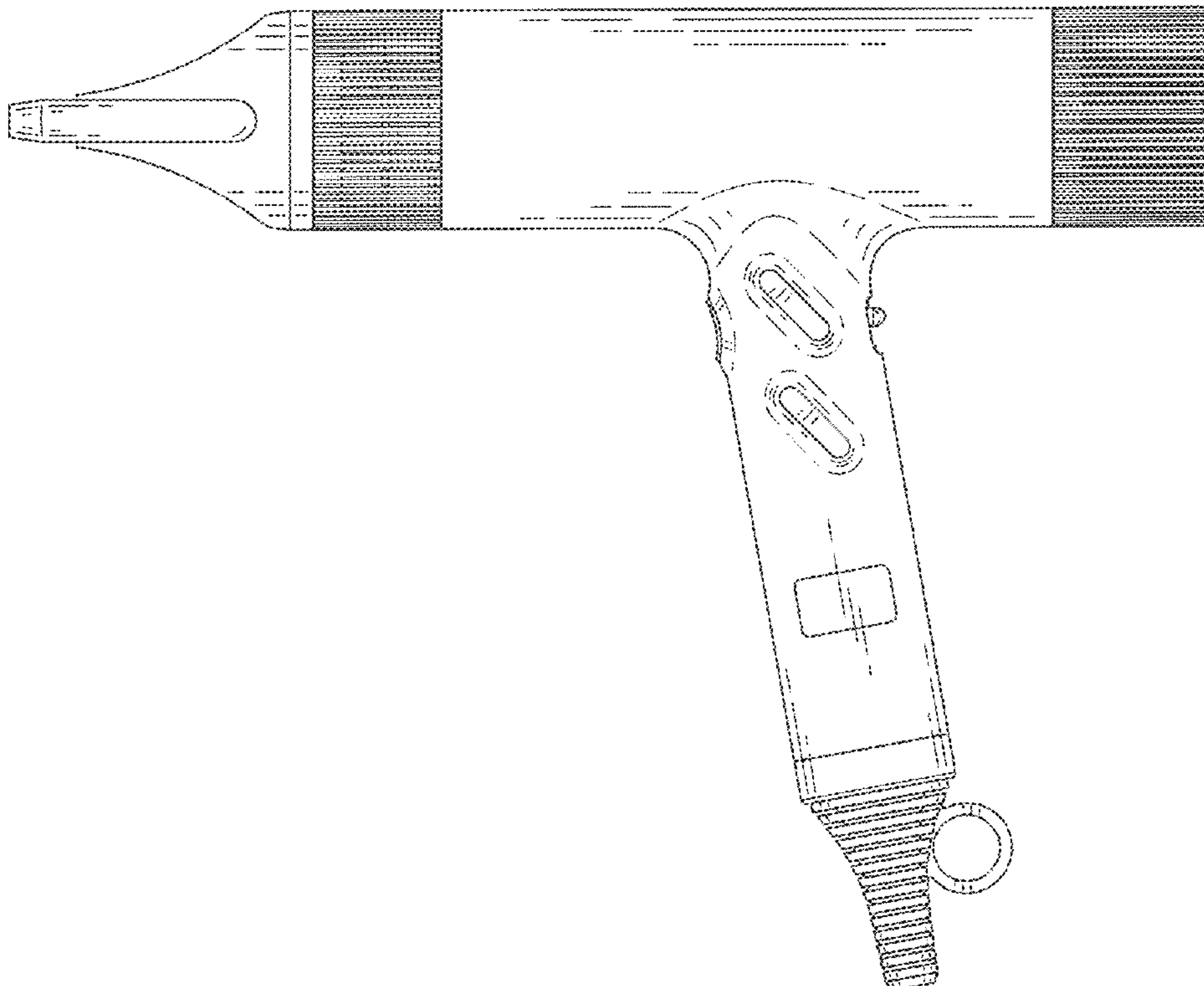
(57) **CLAIM**

The ornamental design for a hair drier, as shown an described.

DESCRIPTION

FIG. 1 is a perspective view of a hair drier showing my new design;
FIG. 2 is a front elevation view thereof;
FIG. 3 is a rear elevation view thereof;
FIG. 4 is a left side elevation view thereof;
FIG. 5 is a right side elevation view thereof;
FIG. 6 is top plan view thereof;
FIG. 7 is a bottom plan view thereof;
FIG. 8 is a rear perspective view thereof;
FIG. 9 is an enlarged view a portion of FIG. 5; and,
FIG. 10 is an enlarged view a portion of FIG. 8.
The broken lines in the drawings illustration portions of the hair drier that forms no part of the claimed design.

1 Claim, 9 Drawing Sheets



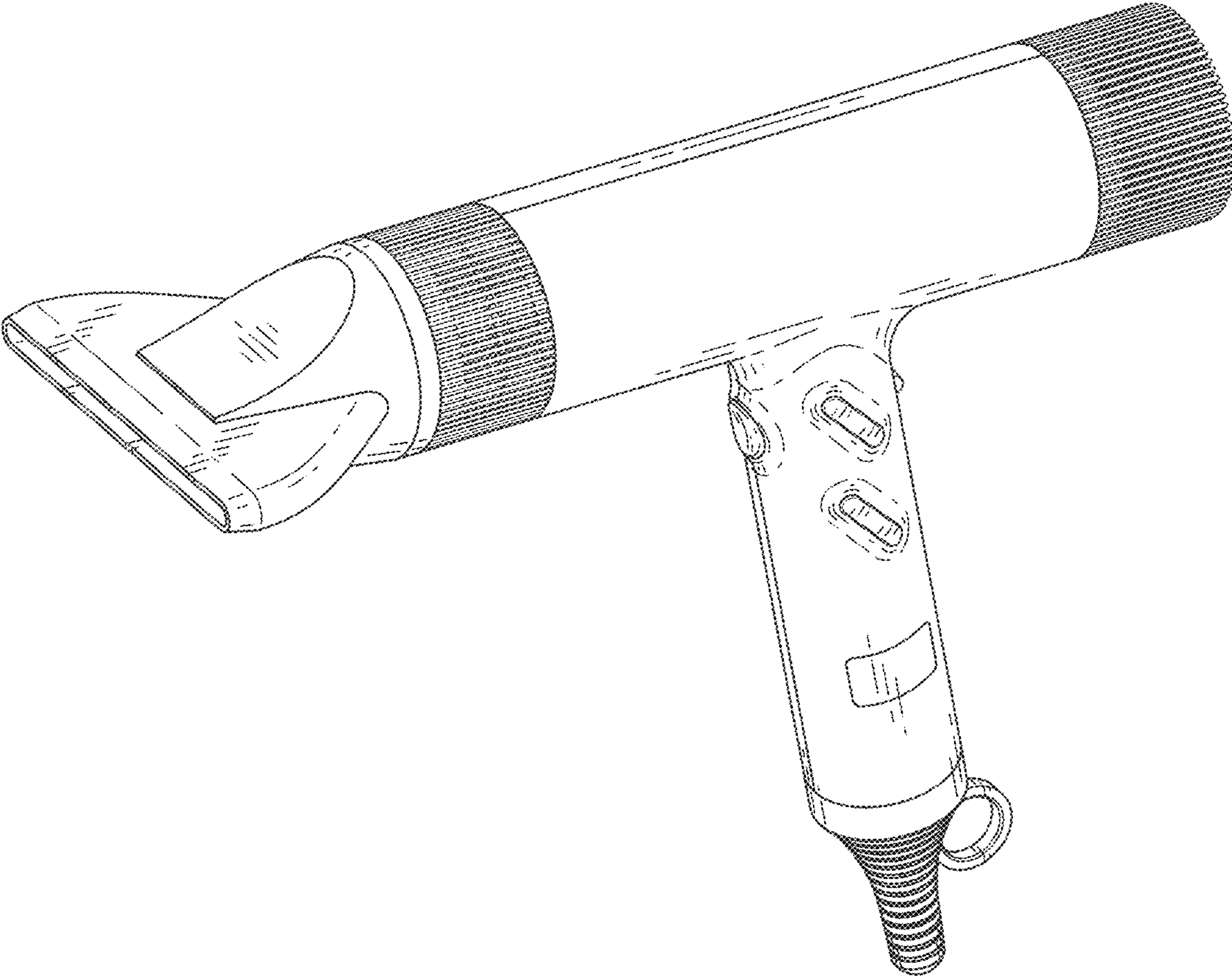


FIG. 1

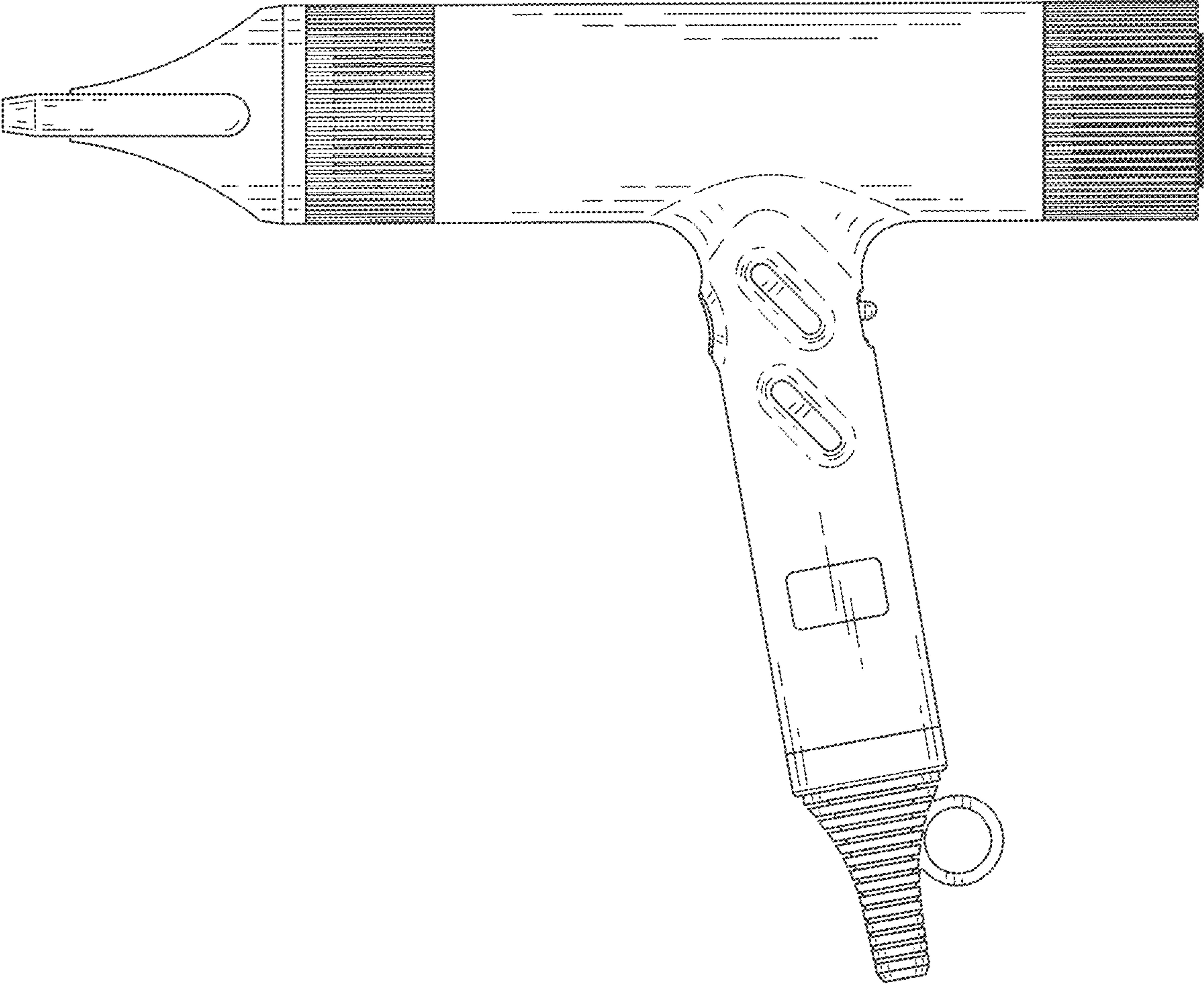


FIG. 2

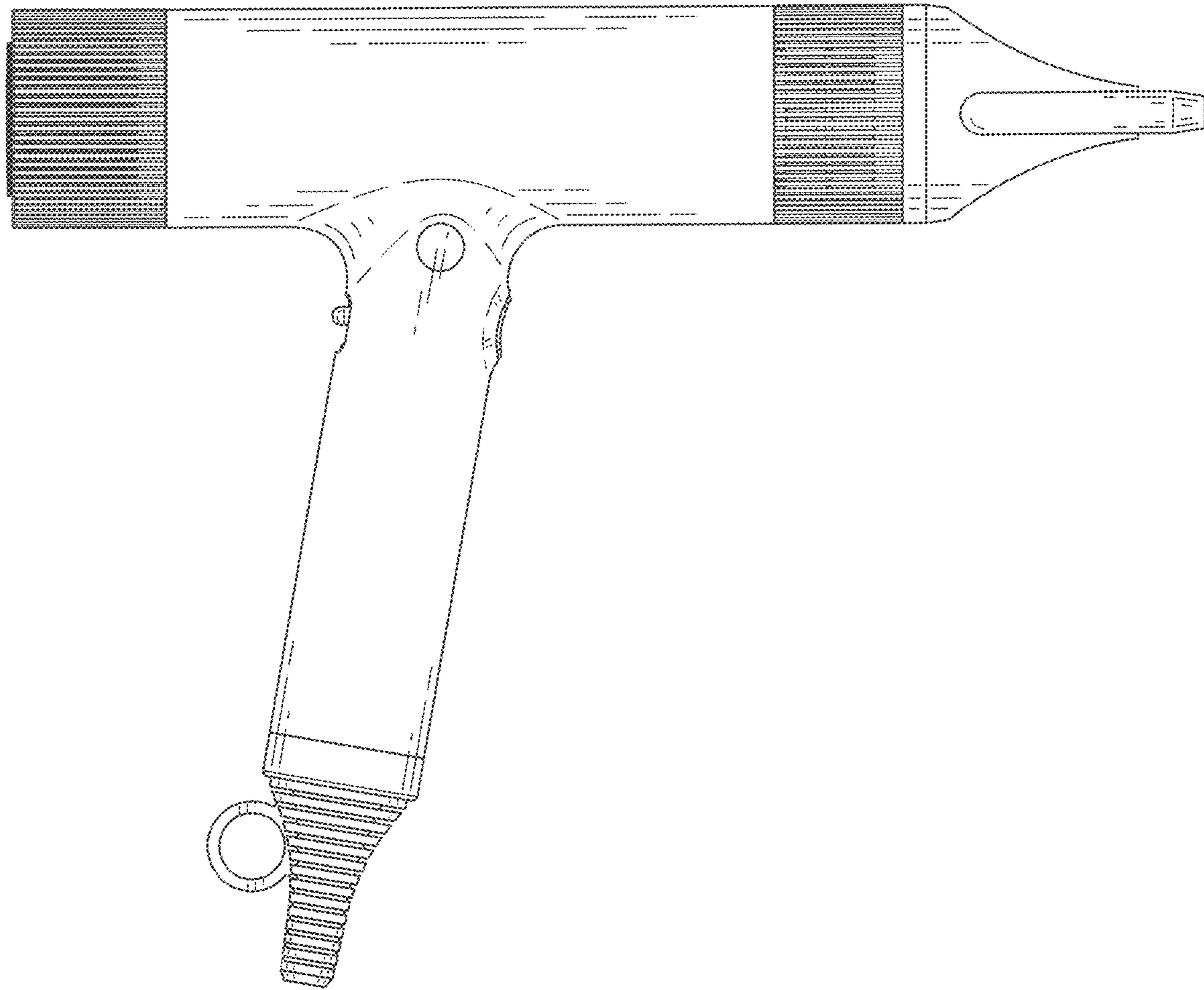


FIG. 3

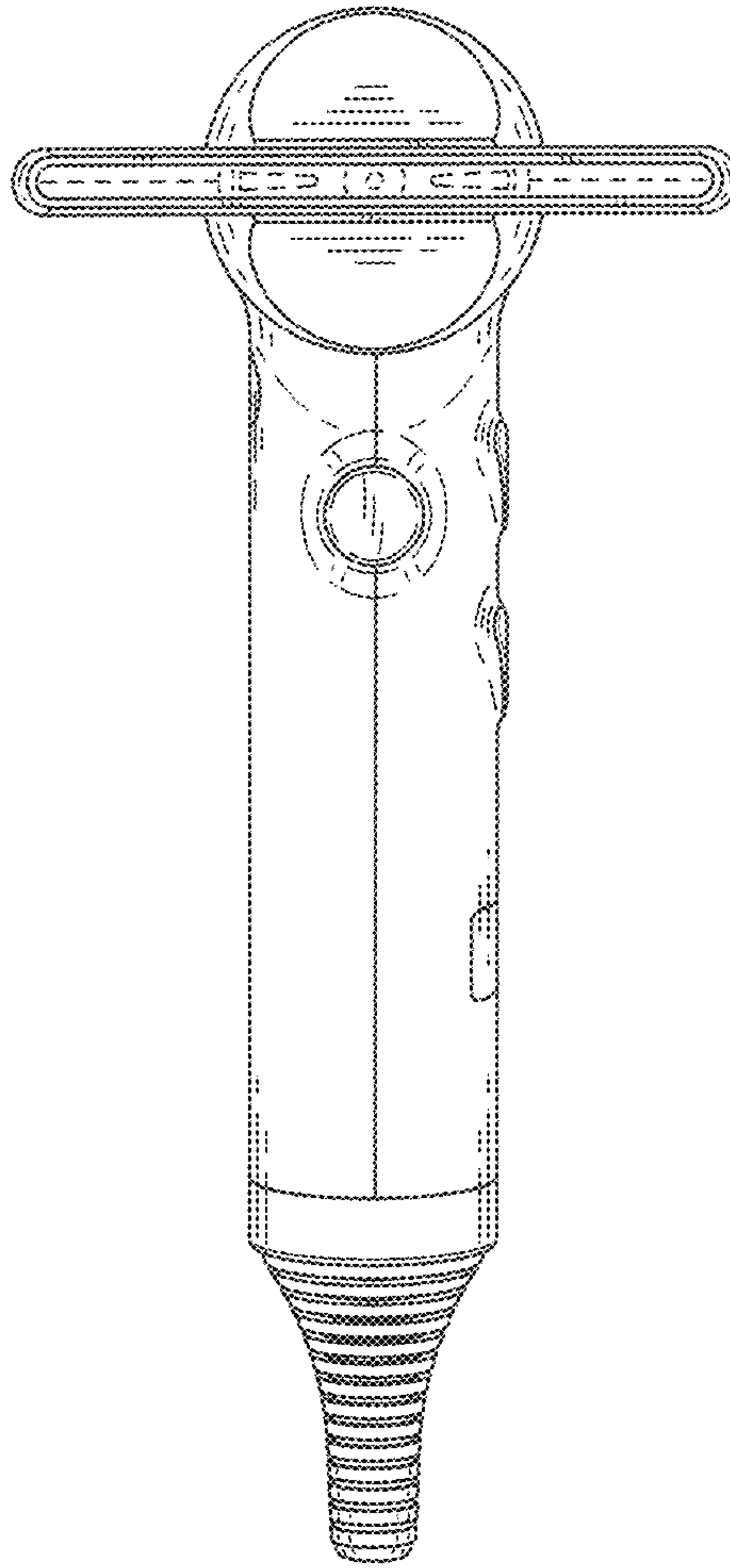


FIG. 4

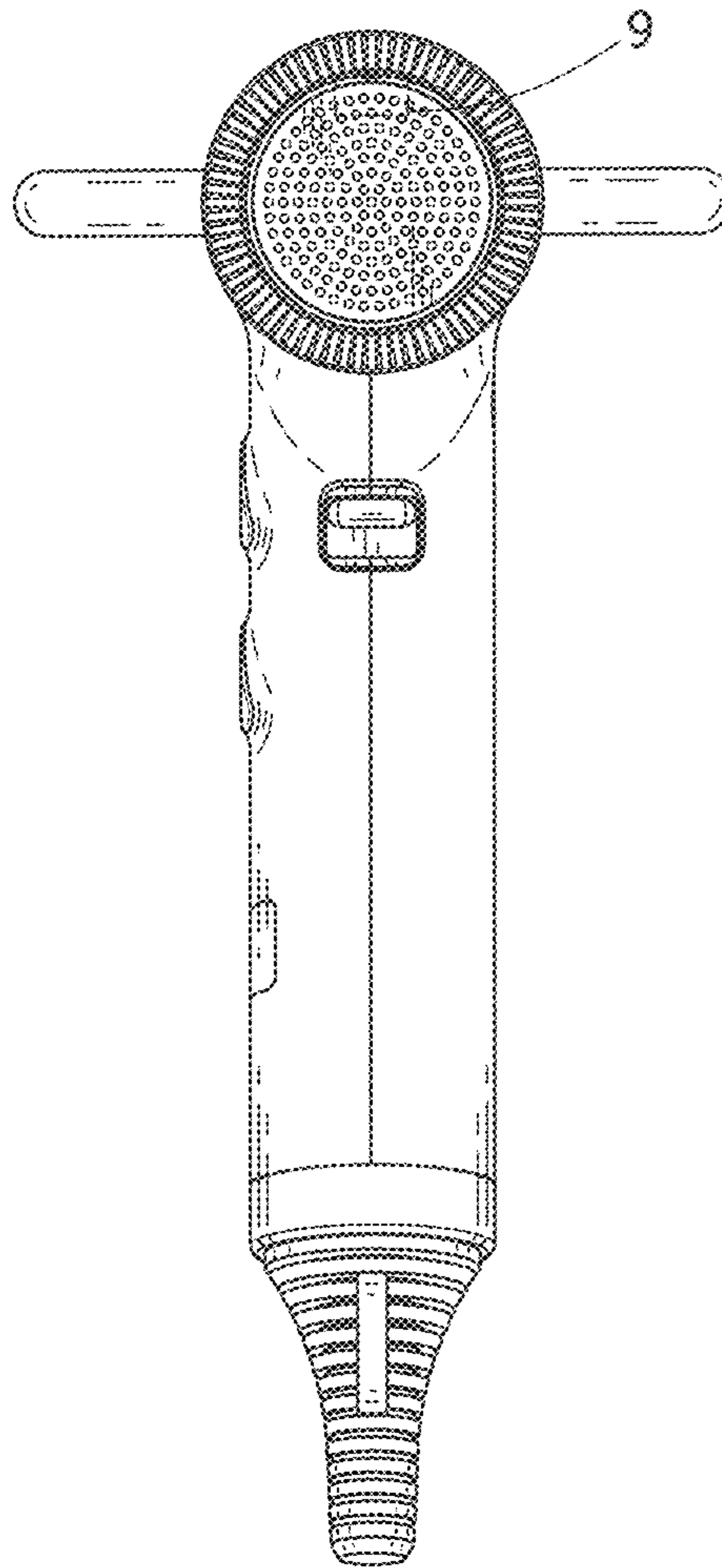


FIG. 5

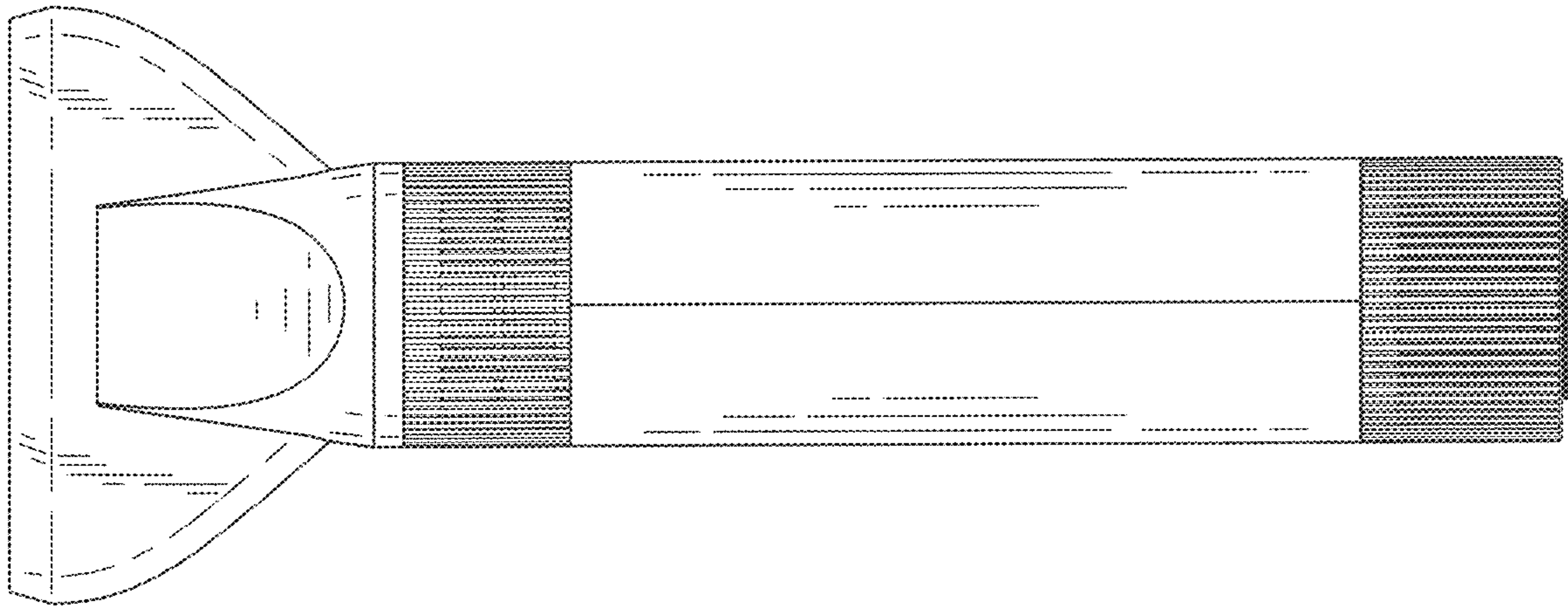


FIG. 6

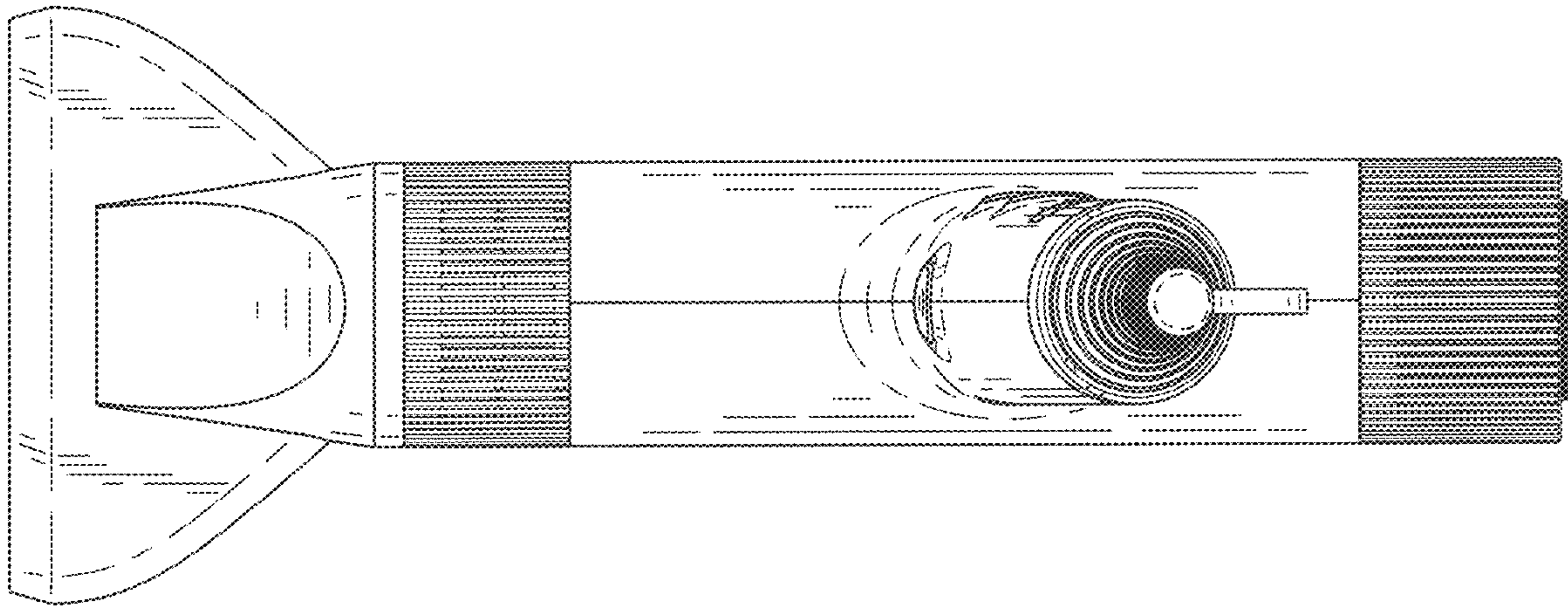


FIG. 7

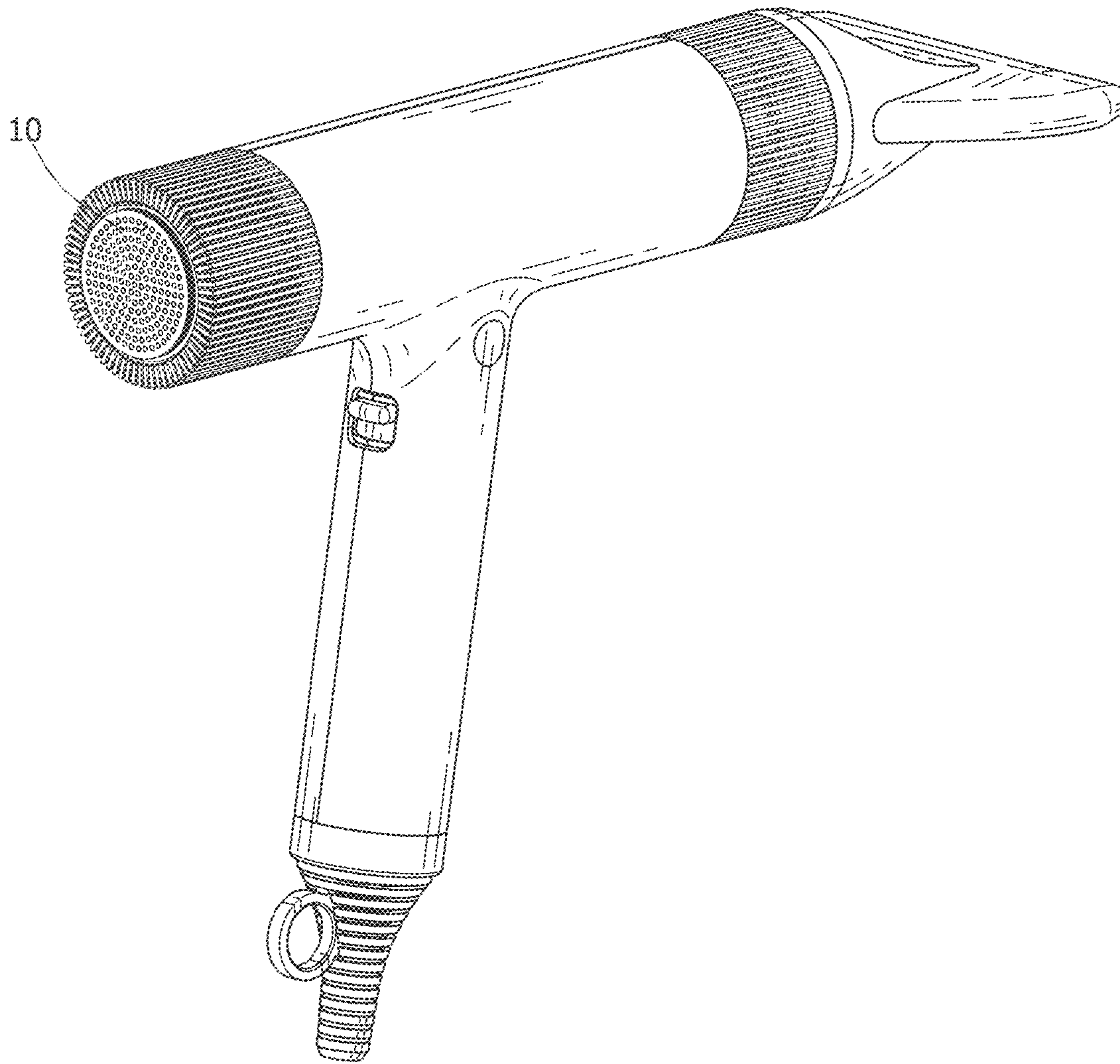


FIG. 8

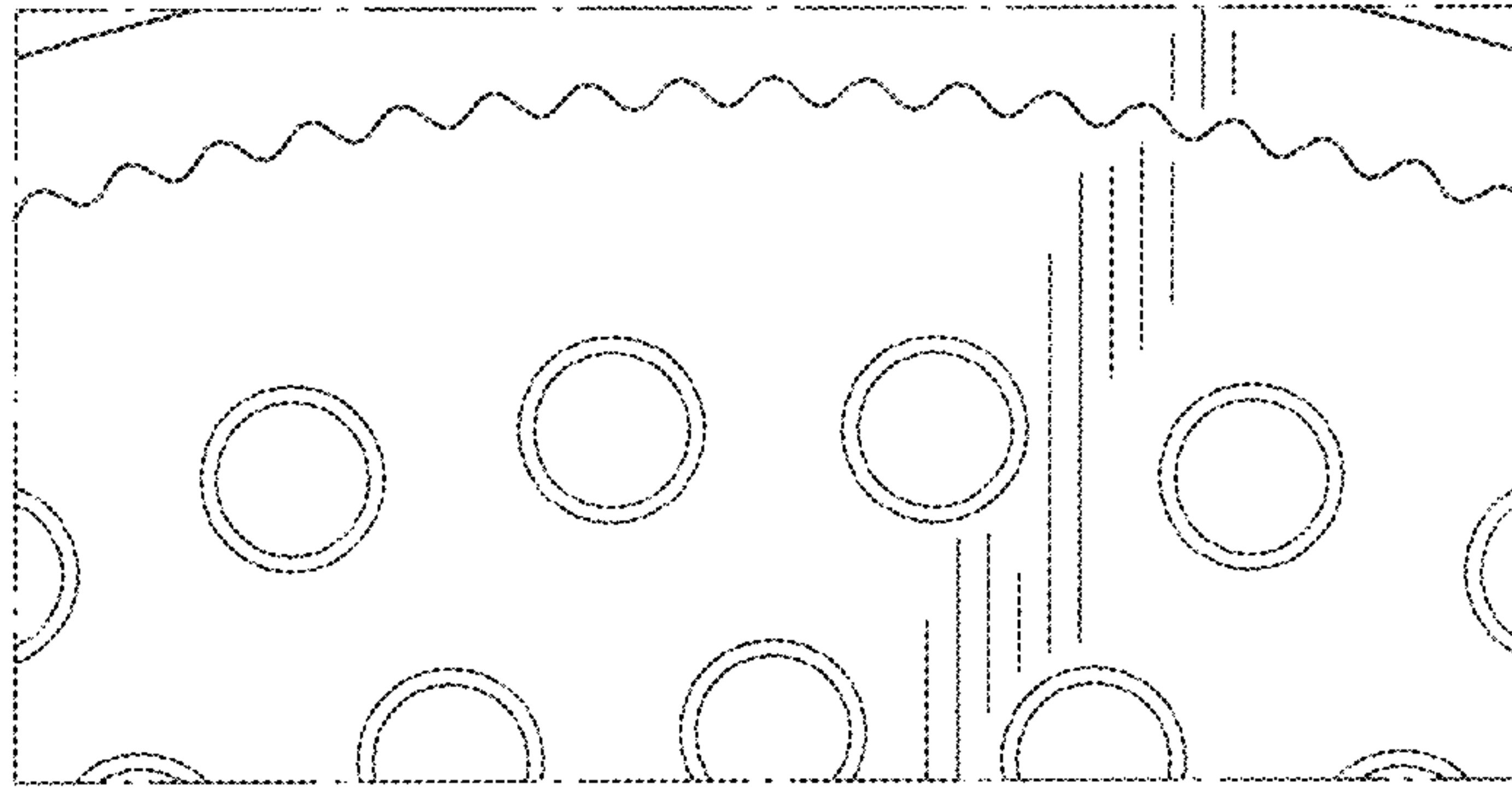


FIG. 9

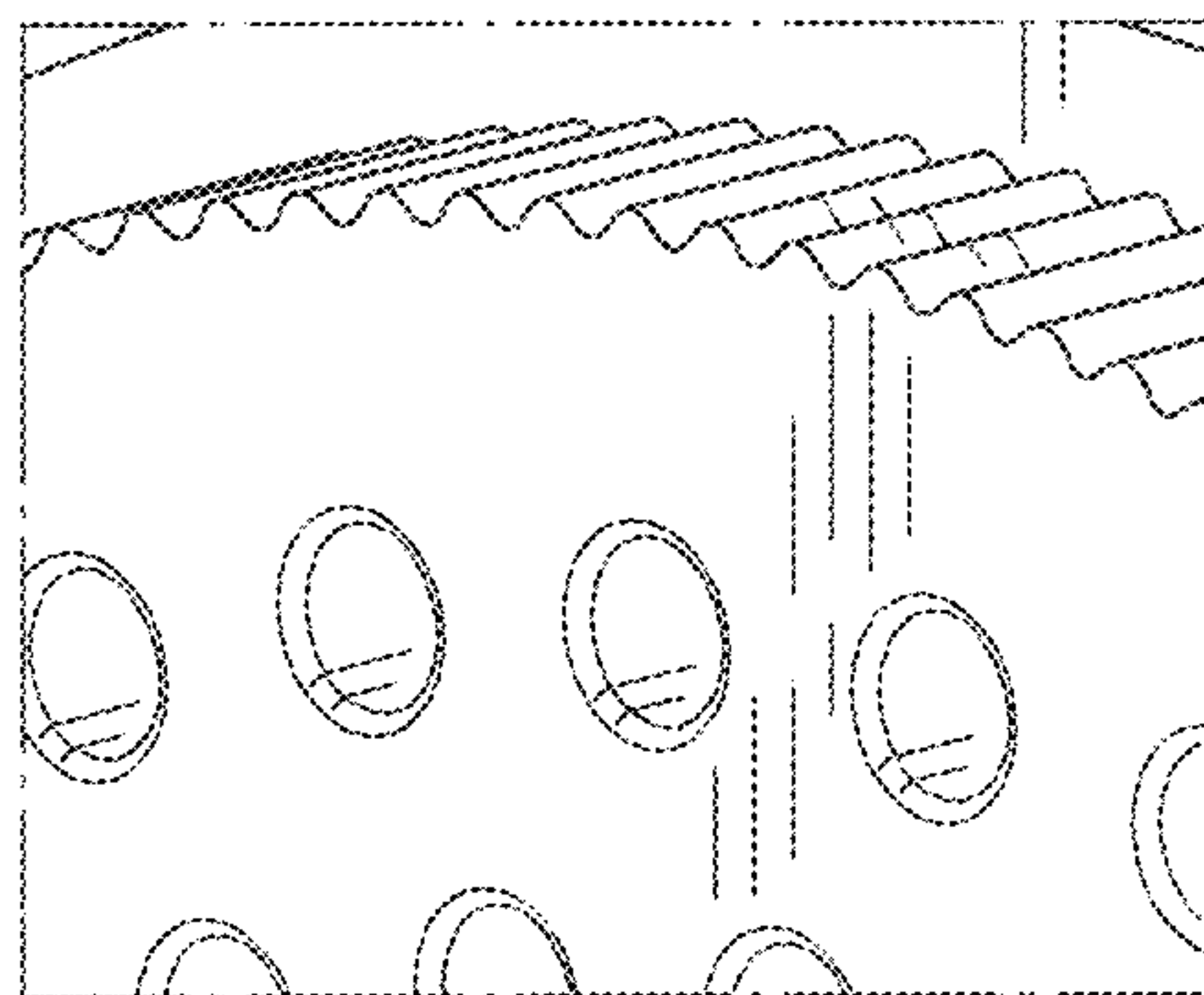


FIG. 10