



US00D931525S

(12) **United States Design Patent** (10) **Patent No.:** **US D931,525 S**
Jones (45) **Date of Patent:** **** Sep. 21, 2021**

(54) **PIPE CLEANER**

(71) Applicant: **Timothy R. Jones**, Edmond, OK (US)

(72) Inventor: **Timothy R. Jones**, Edmond, OK (US)

(**) Term: **15 Years**

(21) Appl. No.: **29/759,279**

(22) Filed: **Nov. 20, 2020**

(51) **LOC (13) Cl.** **27-99**

(52) **U.S. Cl.**
USPC **D27/196**

(58) **Field of Classification Search**
USPC D27/100, 101, 102–105, 114, 137, 139,
D27/141–144, 152, 153, 154, 155, 160,
D27/161, 162–196, 136, 128; D23/366;
D7/416; D24/110; D8/371, 380, 499;
D32/25; D15/199

CPC A24F 47/002; A24F 47/00; A24F 3/02;
A24C 5/44; A24C 5/425

See application file for complete search history.

(56) **References Cited**

U.S. PATENT DOCUMENTS

D29,191 S *	8/1898	Pilkington	D27/196
D29,288 S *	8/1898	Blase	D27/167
880,749 A	3/1908	O'Sullivan		
1,057,771 A	4/1913	Pfister		
D48,861 S *	4/1916	Gleim	D27/196
1,204,587 A	11/1916	Pfister		
1,068,606 A	7/1918	Sayre		
1,499,541 A	7/1924	McCarthy		
D106,307 S *	10/1937	Leuser	D27/196
D107,147 S *	11/1937	French	D28/59
D115,157 S *	6/1939	Lind, V	D27/196
2,304,281 A	1/1940	Riley		
D125,131 S *	2/1941	Giesen	D27/196
2,931,366 A	4/1960	Siegel		
D188,157 S *	6/1960	Cottrell	D27/196

3,402,546 A	9/1968	Peene		
3,416,539 A	12/1968	Sharpe		
D225,130 S *	11/1972	Pactor	D27/196
D246,390 S *	11/1977	Endres	D27/196
D253,913 S *	1/1980	Sullivan	D27/196
D270,953 S *	10/1983	Langtry	D27/196
D274,562 S *	7/1984	Veal	D27/196
D783,896 S *	4/2017	Henderson, Jr.	D27/196
D854,742 S *	7/2019	Fisten	D27/196
D863,678 S *	10/2019	Petrosian	D27/196
2015/0164136 A1	6/2015	Gammel et al.		
2016/0366932 A1	12/2016	Weddington		
2018/0021823 A1	1/2018	Miranda		

(Continued)

FOREIGN PATENT DOCUMENTS

DE	2458092 A1	6/1976
DE	8810532 U1	10/1988

Primary Examiner — Michelle E. Wilson

(74) *Attorney, Agent, or Firm* — Mary M. Lee

(57) **CLAIM**

The ornamental design for a pipe cleaner, as shown.

DESCRIPTION

FIG. 1 is a front perspective view of the pipe cleaner showing my new design;

FIG. 2 is a top plan view thereof, the bottom view being a mirror image thereof;

FIG. 3 is a front elevational view thereof, the back elevational view being a mirror image thereof;

FIG. 4 is an elevational view of a first end thereof;

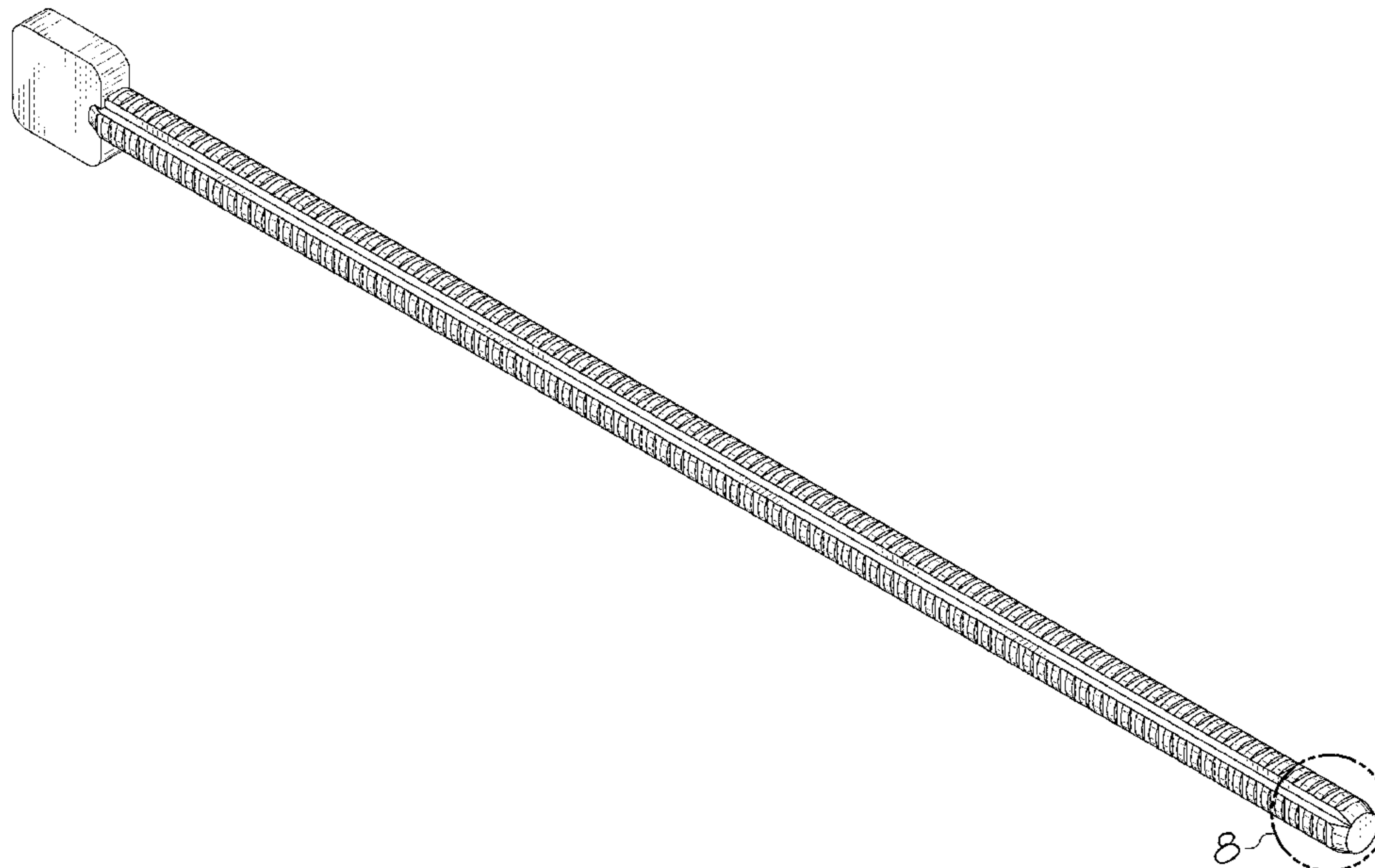
FIG. 5 is an elevational view of a second end thereof;

FIG. 6 is an enlarged view of the area called out as "6" in FIG. 2;

FIG. 7 is an enlarged view of the area called out as "7" in FIG. 2; and,

FIG. 8 is a perspective view of the area shown in FIG. 7.

1 Claim, 4 Drawing Sheets



(56)

References Cited

U.S. PATENT DOCUMENTS

2018/0177226 A1 6/2018 Royse, IV
2018/0250104 A1 9/2018 Adriano et al.

* cited by examiner

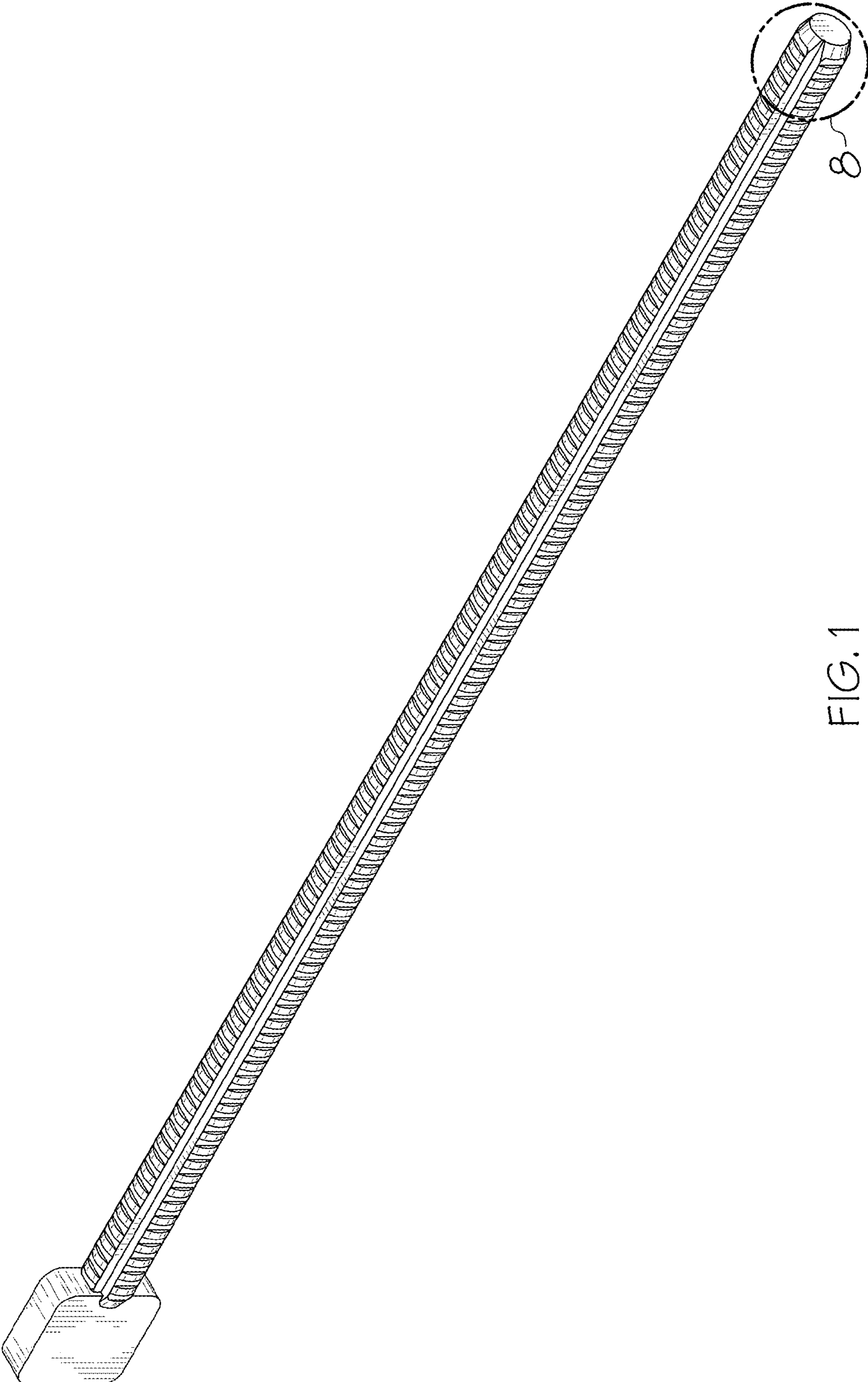


FIG. 1

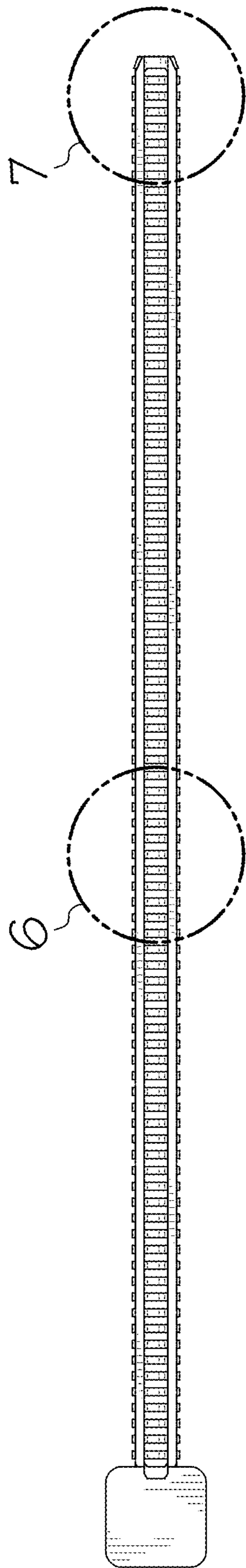


FIG. 2

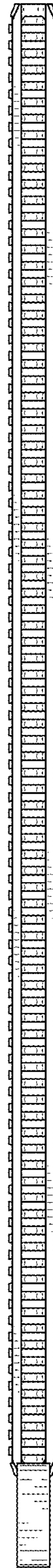


FIG. 3



FIG. 4



FIG. 5

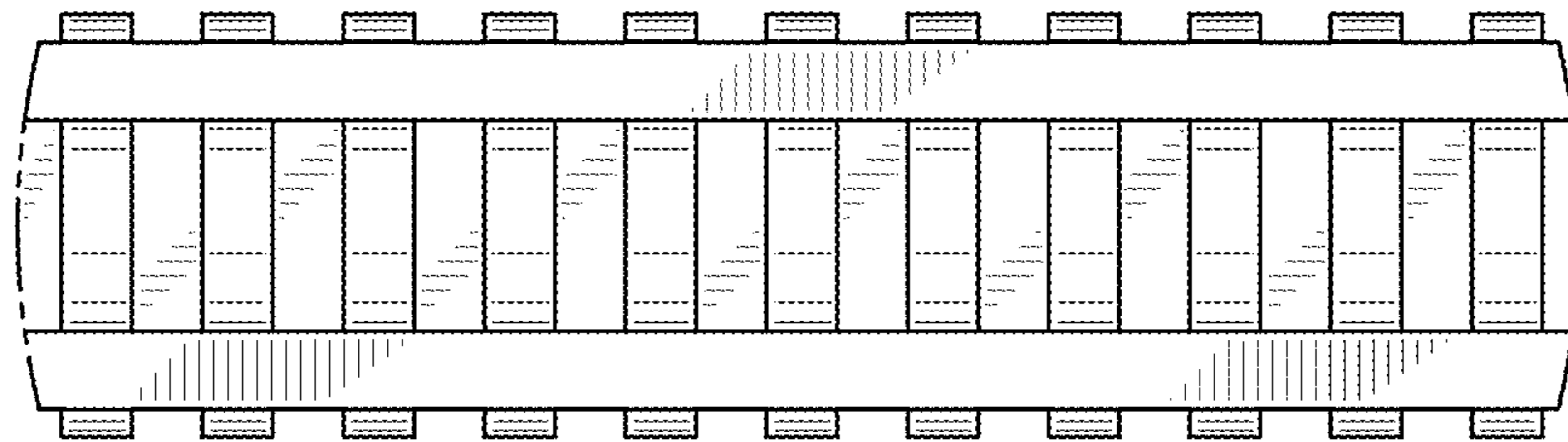


FIG. 6

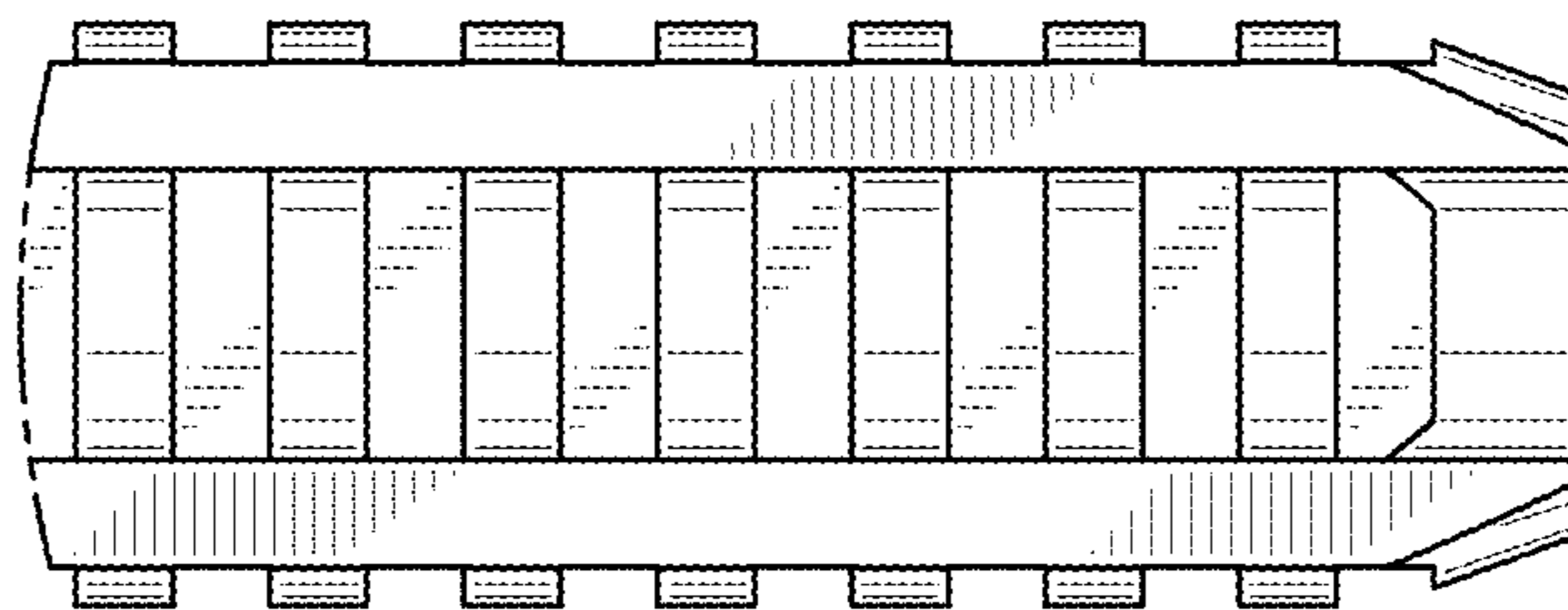


FIG. 7

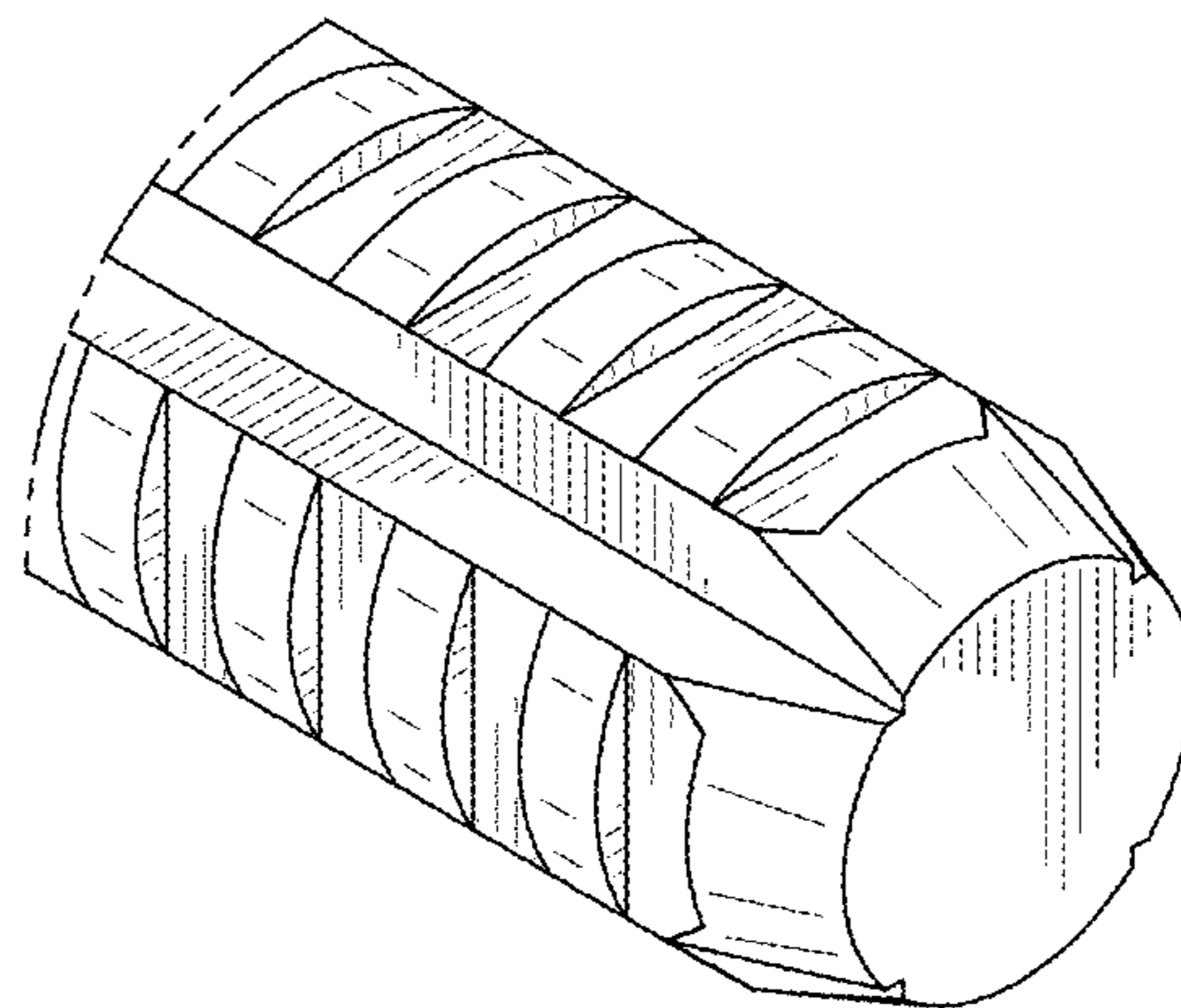


FIG. 8