

US00D931522S

(12) **United States Design Patent** (10) **Patent No.:** **US D931,522 S**  
**Hsu et al.** (45) **Date of Patent:** **\*\* Sep. 21, 2021**

(54) **LED LAMP**

FOREIGN PATENT DOCUMENTS

(71) Applicant: **Radiant Opto-Electronics Corporation**, Kaohsiung (TW)

TW D151723 S 2/2013  
TW D174957 S 4/2016

(72) Inventors: **Pai-Ho Hsu**, Kaohsiung (TW);  
**Guo-Hao Huang**, Kaohsiung (TW);  
**Kun-Feng Chen**, Kaohsiung (TW)

*Primary Examiner* — Natasha Vujcic  
(74) *Attorney, Agent, or Firm* — McClure, Qualey & Rodack, LLP

(73) Assignee: **RADIANT OPTO-ELECTRONICS CORPORATION**, Kaohsiung (TW)

(57) **CLAIM**

The ornamental design for a LED lamp, as shown and described.

(\*\*) Term: **15 Years**

(21) Appl. No.: **29/701,050**

**DESCRIPTION**

(22) Filed: **Aug. 8, 2019**

**Related U.S. Application Data**

(62) Division of application No. 29/581,569, filed on Oct. 20, 2016, now Pat. No. Des. 871,661.

(30) **Foreign Application Priority Data**

Apr. 28, 2016 (TW) ..... 105302309  
Apr. 28, 2016 (TW) ..... 105302310

(51) **LOC (13) Cl.** ..... **26-05**

(52) **U.S. Cl.**  
USPC ..... **D26/142**

(58) **Field of Classification Search**  
USPC ..... D26/72, 74, 76, 78–83, 85, 86, 88, 90,  
D26/93, 111, 113, 118, 119, 120, 121,  
D26/122, 138, 139, 140, 141, 142, 152  
(Continued)

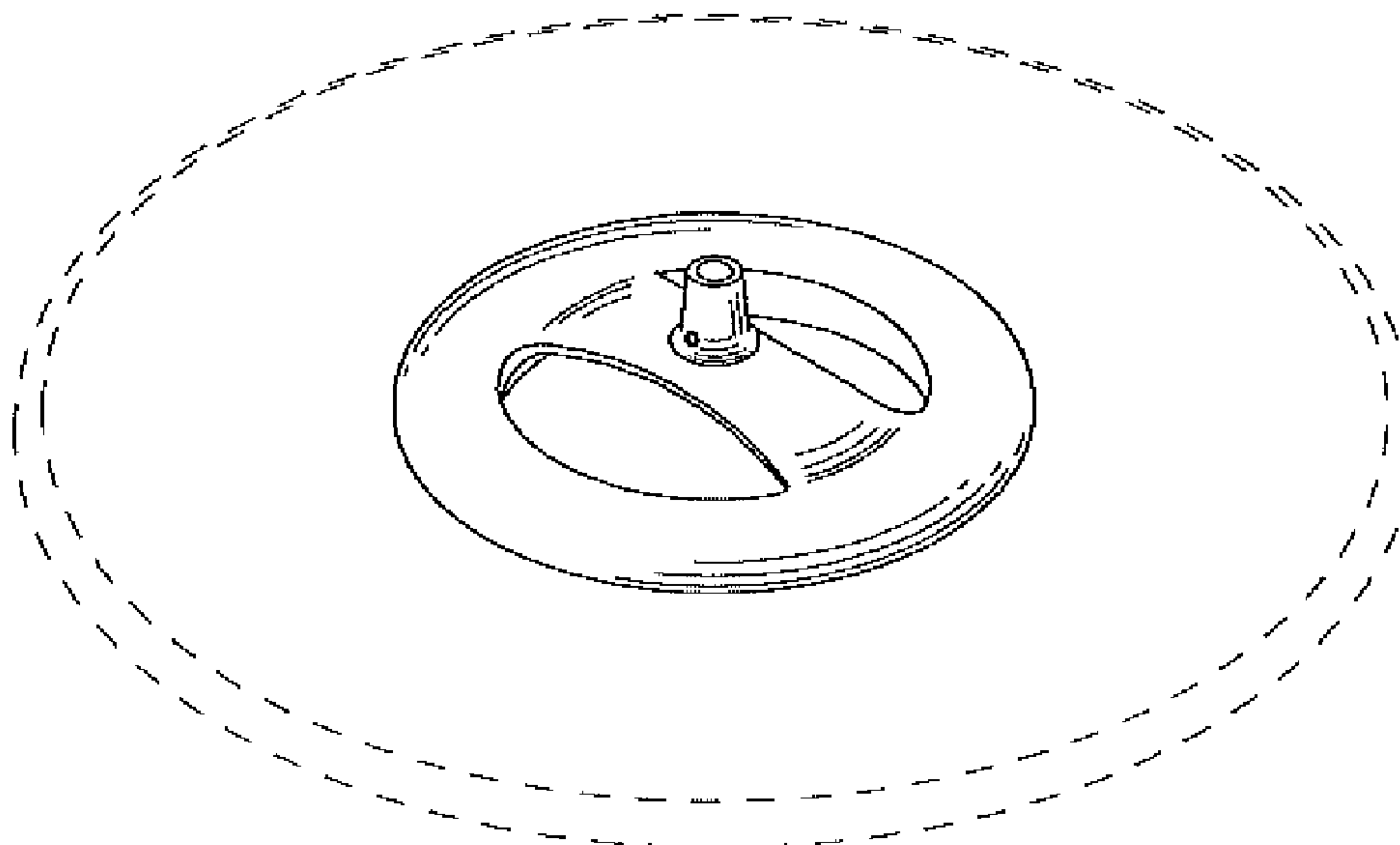
(56) **References Cited**

U.S. PATENT DOCUMENTS

D469,211 S 1/2003 Homann  
D536,473 S 2/2007 Tan  
(Continued)

FIG. 1 is a perspective view of a LED lamp showing a first embodiment of our new design.  
FIG. 2 is another perspective view of the first embodiment;  
FIG. 3 is a front view of the first embodiment;  
FIG. 4 is a rear view of the first embodiment;  
FIG. 5 is a left side view of the first embodiment;  
FIG. 6 is a right side view of the first embodiment;  
FIG. 7 is a top view of the first embodiment;  
FIG. 8 is a bottom view of the first embodiment;  
FIG. 9 is a perspective view of a LED lamp showing a second embodiment of our new design;  
FIG. 10 is another perspective view of the second embodiment;  
FIG. 11 is a front view of the second embodiment;  
FIG. 12 is a rear view of the second embodiment;  
FIG. 13 is a left side view of the second embodiment;  
FIG. 14 is a right side view of the second embodiment;  
FIG. 15 is a top view of the second embodiment; and,  
FIG. 16 is a bottom view of the second embodiment.  
The portion of the LED lamp shown in gray shading shown in FIGS. 9-16 is representative of a semi-transparent or transparent appearance.  
The broken lines in the drawings illustrate portions of the LED lamp which form no part of the claimed design.

**1 Claim, 12 Drawing Sheets**



(58) **Field of Classification Search**

CPC ..... F21S 2/00; F21S 4/00; F21S 4/003; F21S 4/005; F21S 4/006; F21S 4/007; F21S 4/008; F21S 6/00; F21S 8/00; F21S 8/024; F21S 8/026; F21S 8/031; F21S 8/033; F21S 8/035-037; F21S 8/04; F21S 8/043; F21S 8/063

See application file for complete search history.

(56) **References Cited**

U.S. PATENT DOCUMENTS

D601,744 S 10/2009 Sakuma  
 D617,035 S 6/2010 Sabernig  
 D622,443 S \* 8/2010 Huang ..... D26/142  
 D632,839 S \* 2/2011 Kim ..... D26/138  
 D633,645 S \* 3/2011 Verelst ..... D26/89  
 D641,517 S 7/2011 Sprengers  
 D673,703 S 1/2013 Davies  
 D681,867 S 5/2013 Wegger et al.  
 D690,842 S \* 10/2013 Feigenbaum ..... D26/24  
 D712,082 S 8/2014 Harpenau et al.

D726,951 S 4/2015 Serwacki et al.  
 D743,079 S 11/2015 Adair  
 D745,210 S \* 12/2015 Serwacki ..... D26/138  
 D746,622 S \* 1/2016 O'Brien ..... D6/716.1  
 D747,540 S \* 1/2016 Serwacki ..... D26/138  
 D770,076 S 10/2016 Li et al.  
 D770,673 S \* 11/2016 Hasan ..... D26/138  
 D780,980 S 3/2017 Starck  
 D781,487 S 3/2017 Starck  
 D796,733 S \* 9/2017 LaDuca ..... D26/138  
 D797,980 S 9/2017 Maxik et al.  
 D797,982 S 9/2017 Sonneman  
 D829,970 S \* 10/2018 Brennenstuhl ..... D26/138  
 D830,611 S 10/2018 Boissevain et al.  
 D830,612 S 10/2018 Boissevain et al.  
 D837,443 S 1/2019 Slaatto  
 D843,642 S \* 3/2019 Mathews ..... D26/142  
 D864,885 S \* 10/2019 Kobayashi ..... D13/184  
 D871,661 S \* 12/2019 Hsu ..... D26/142  
 D880,763 S \* 4/2020 McNamara ..... D26/138  
 D890,411 S \* 7/2020 Bai ..... D26/138  
 D905,327 S \* 12/2020 Williams ..... D26/142  
 D916,358 S \* 4/2021 Hsu ..... D26/138

\* cited by examiner

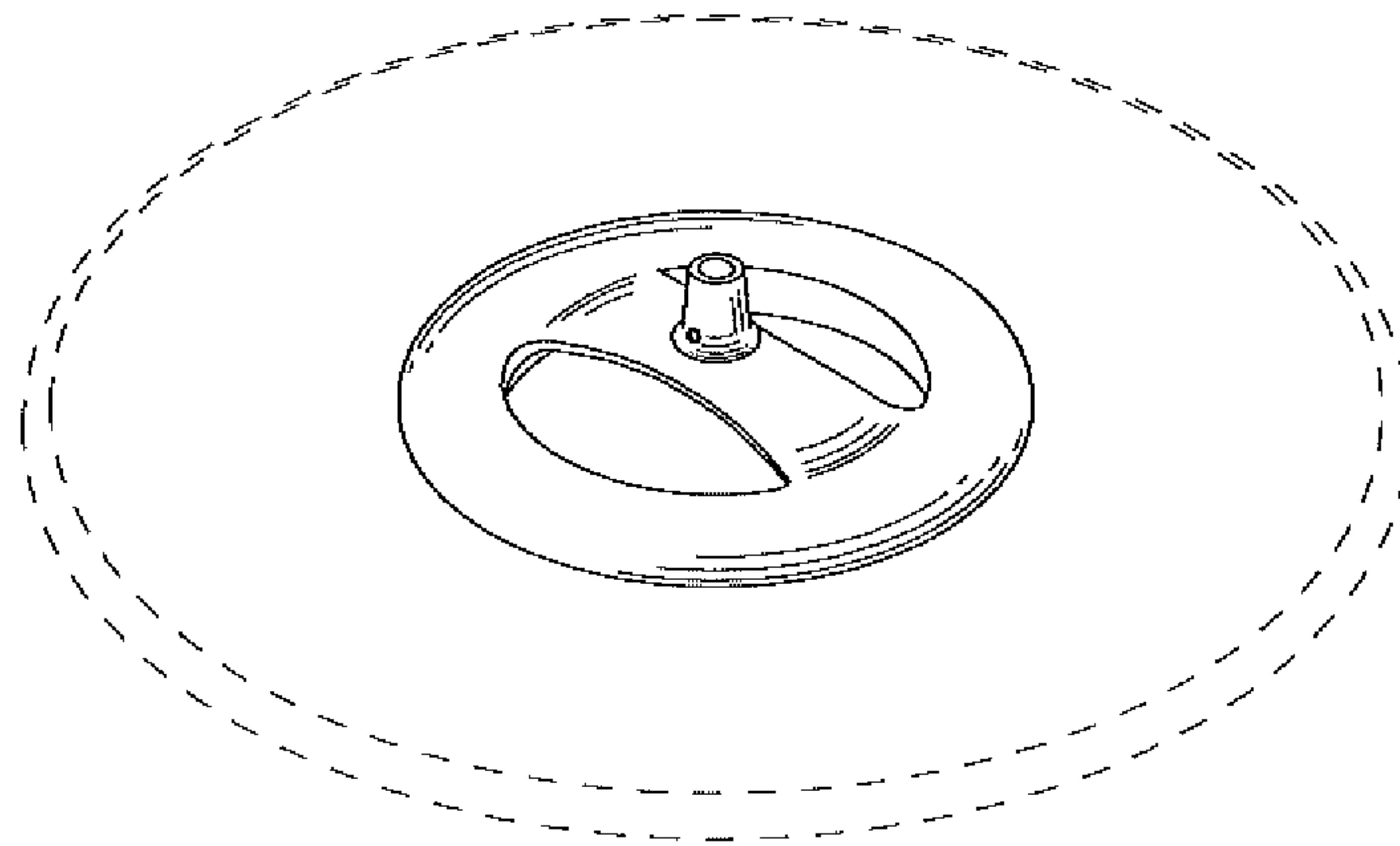


Fig. 1

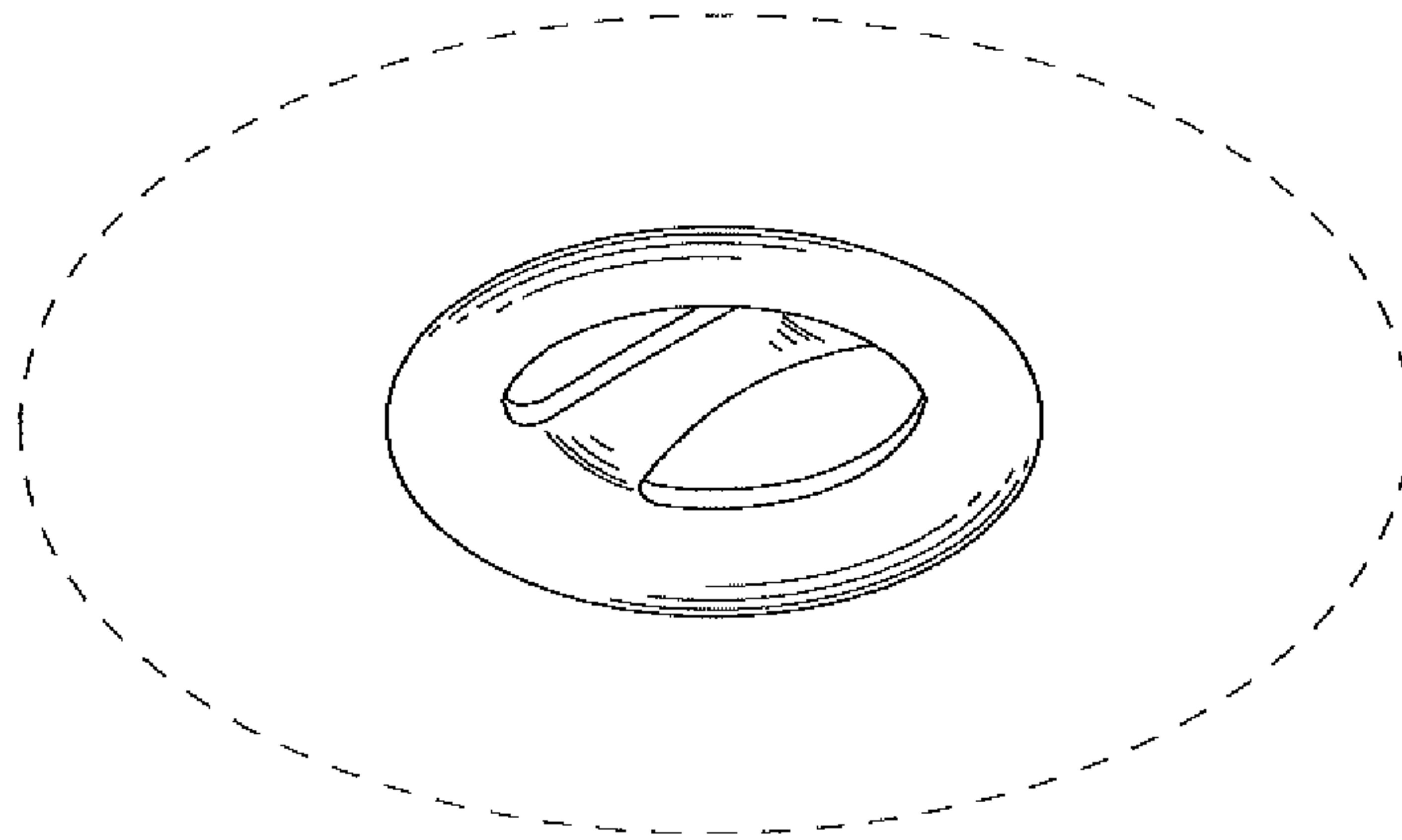


Fig. 2

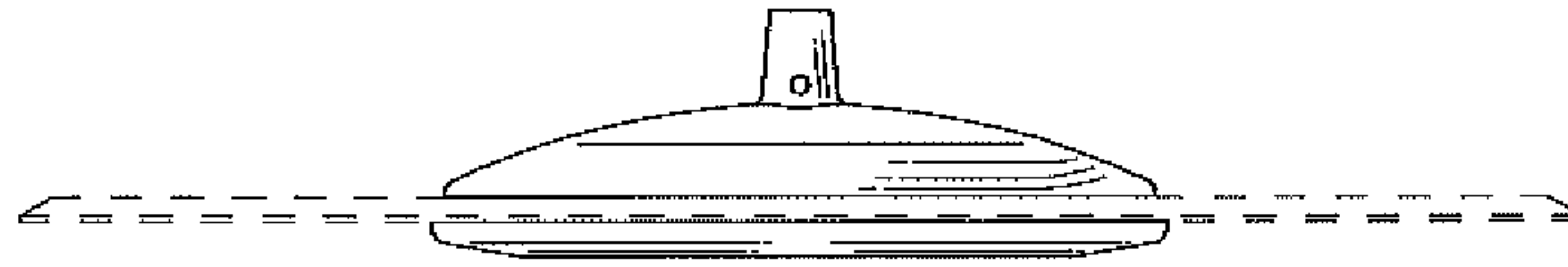


Fig. 3



Fig. 4



Fig. 5



Fig. 6

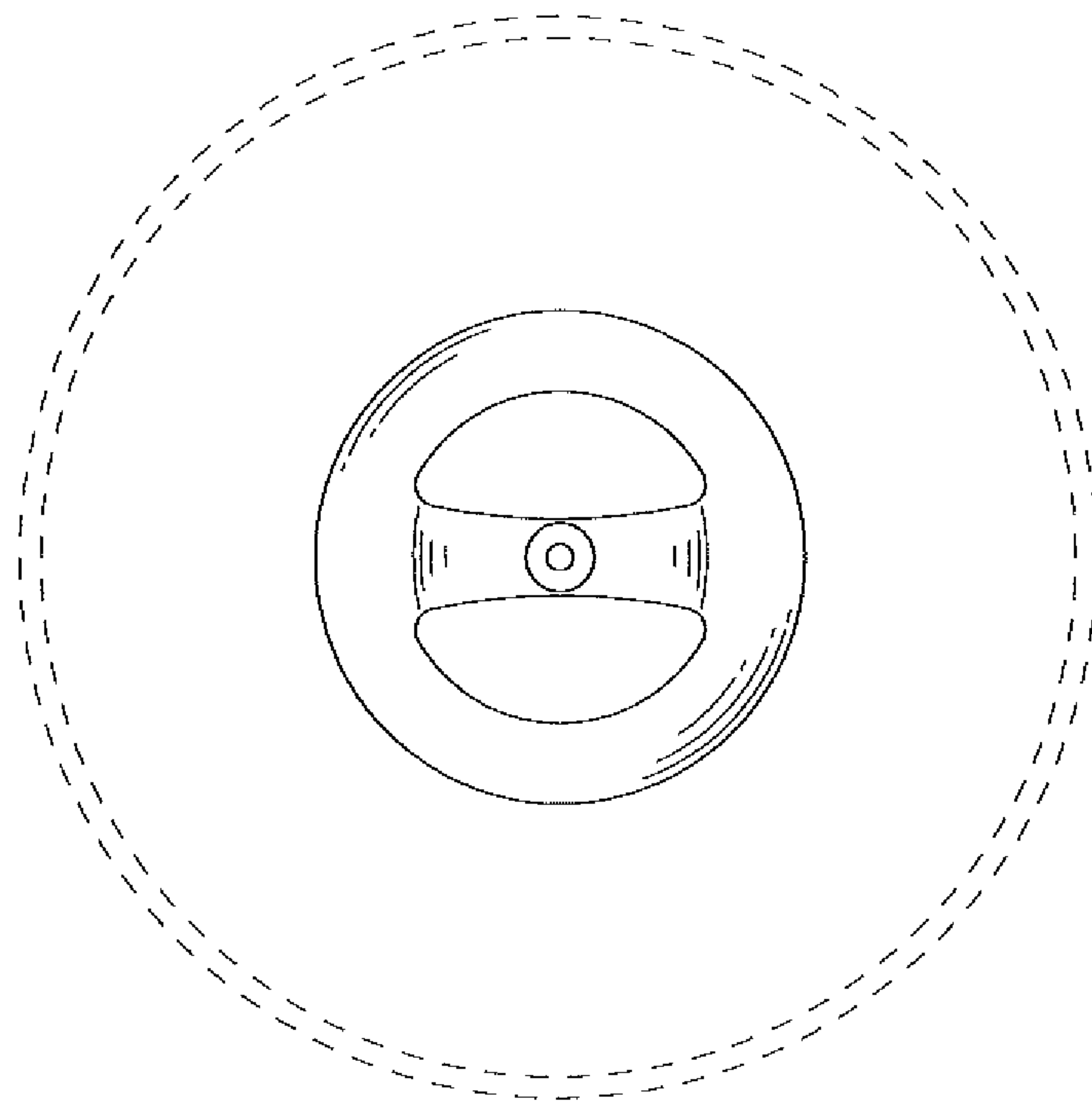


Fig. 7

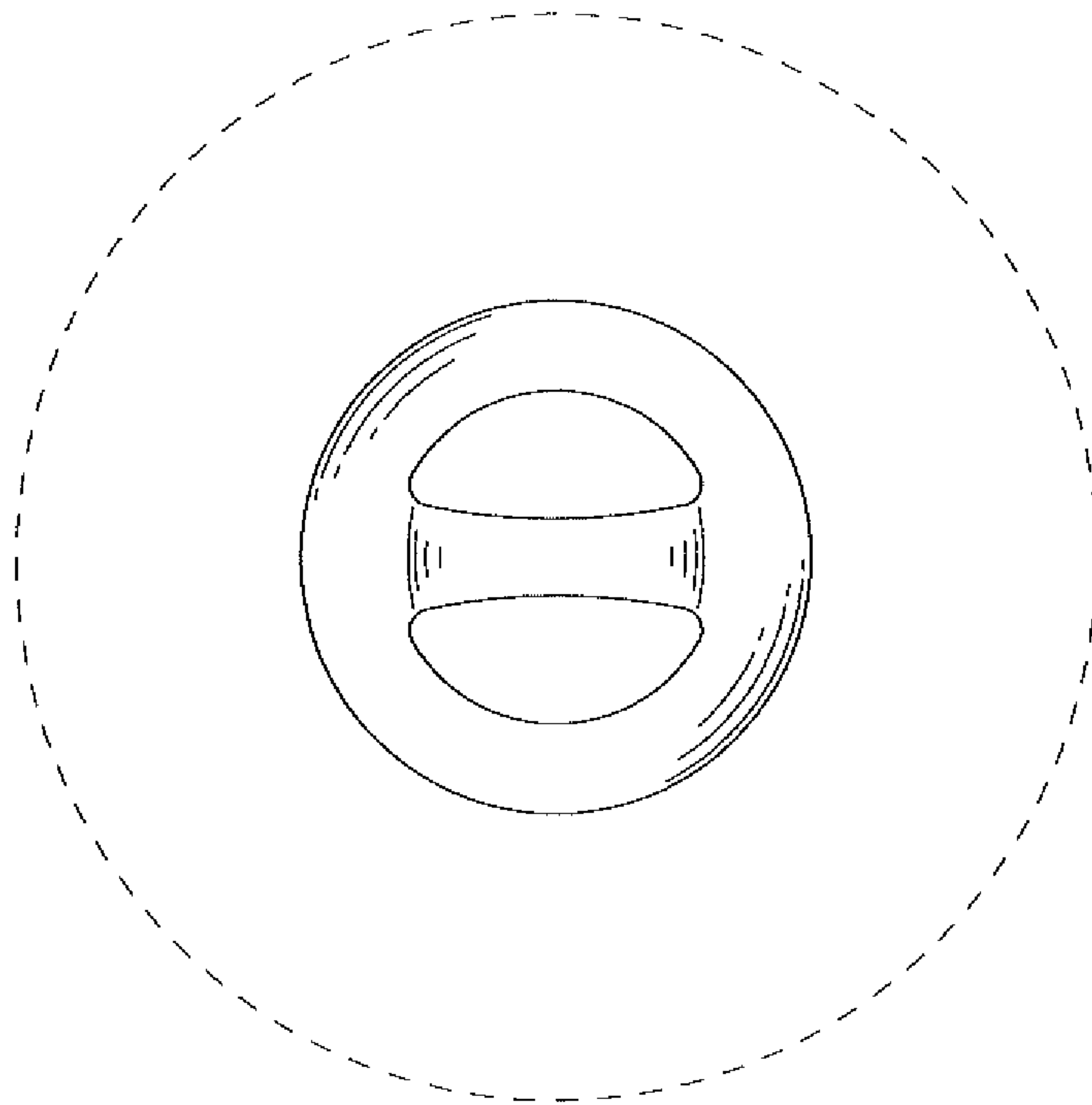


Fig. 8



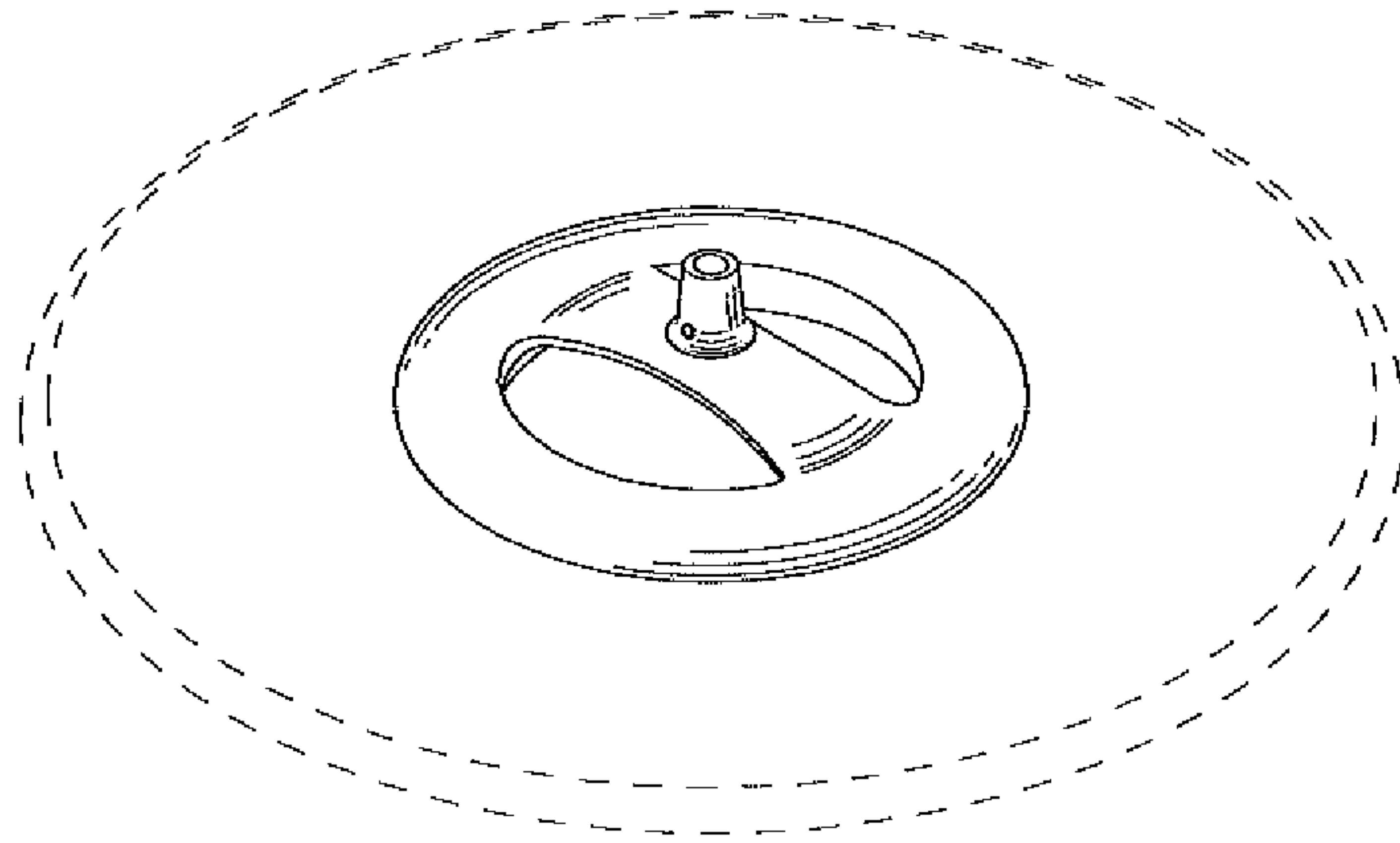


Fig. 9

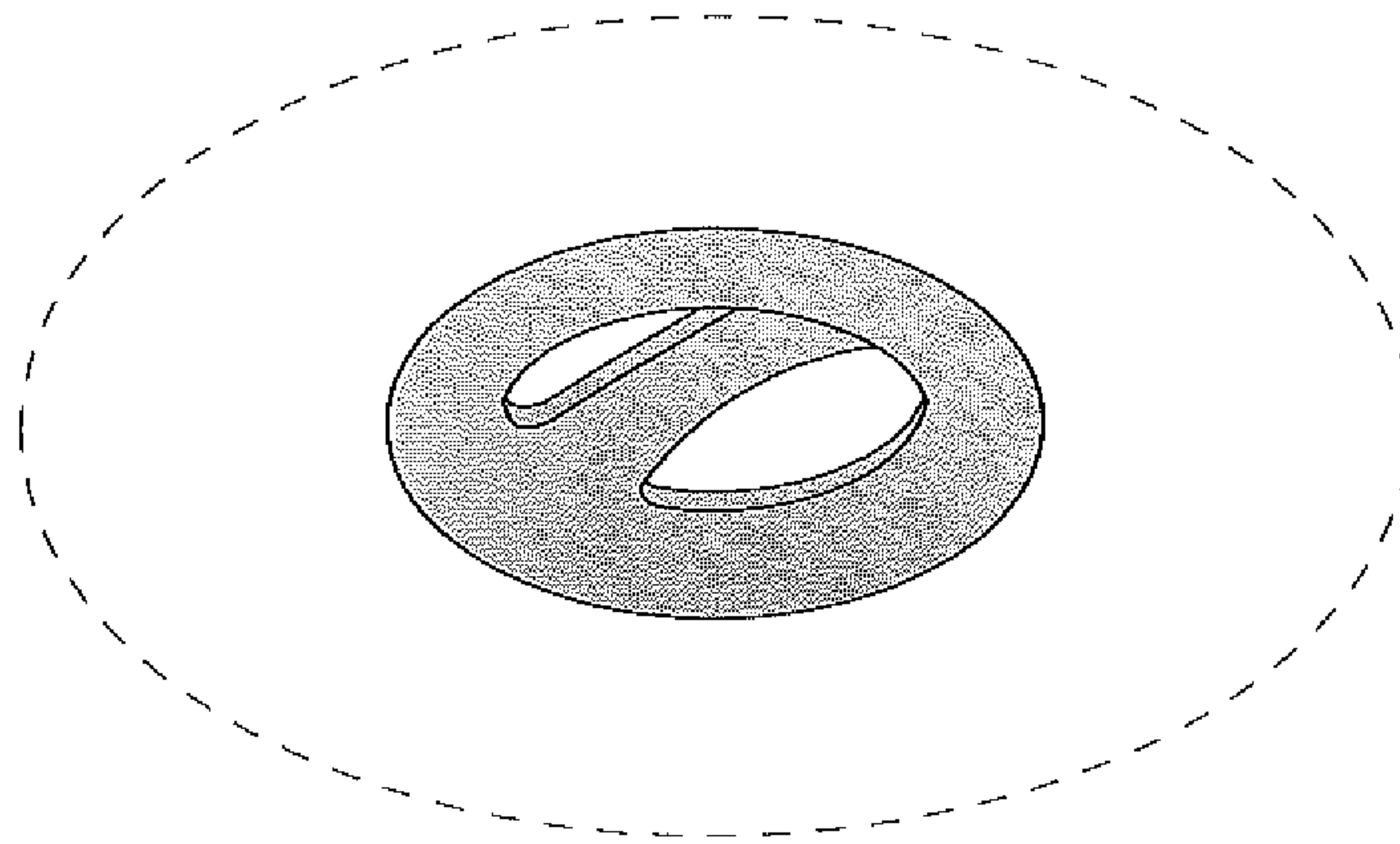


Fig. 10

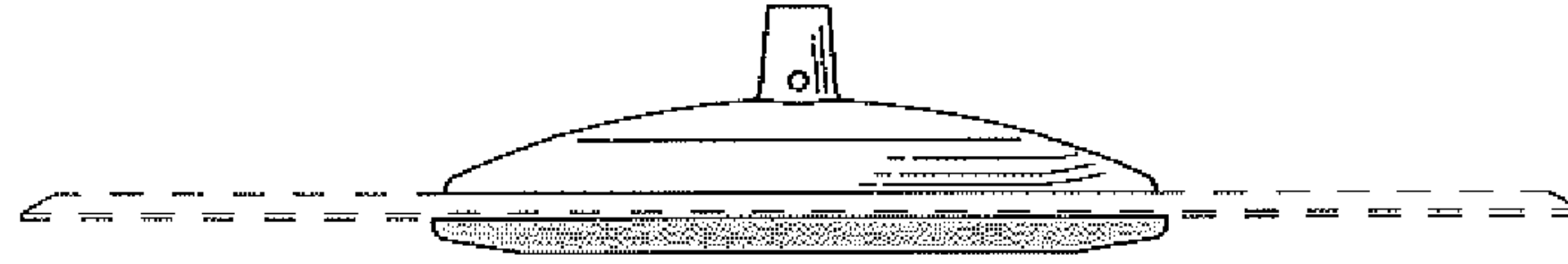


Fig. 11

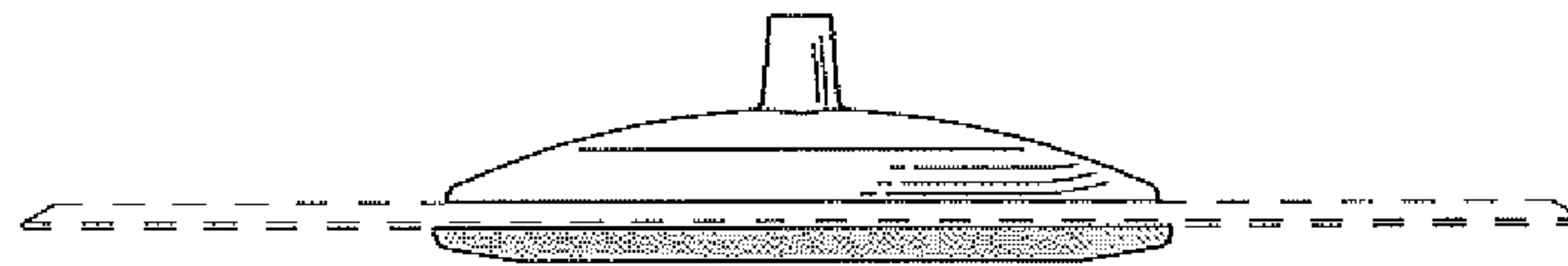


Fig. 12

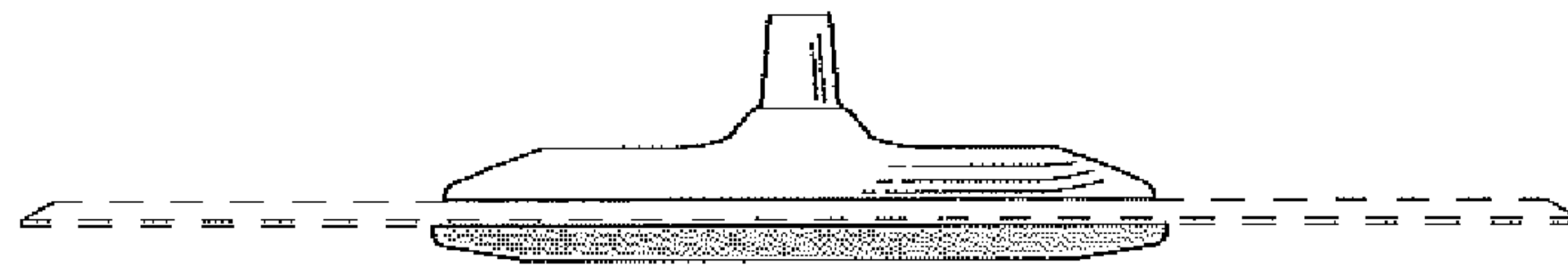


Fig. 13

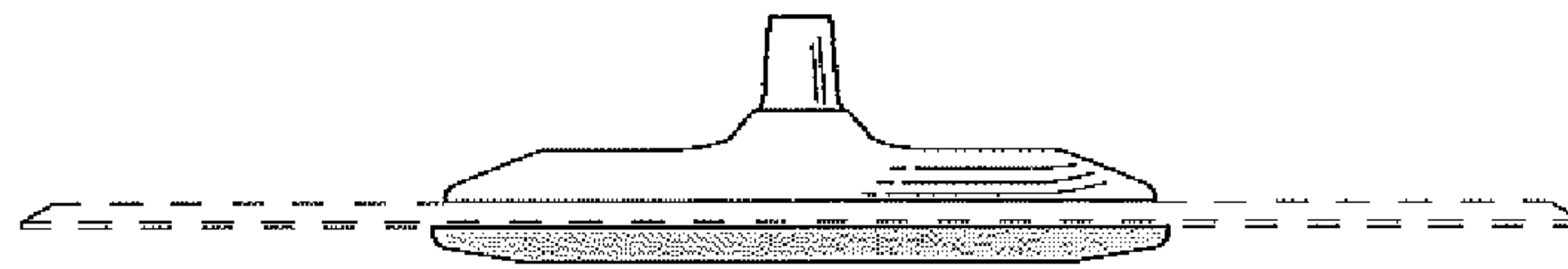


Fig. 14

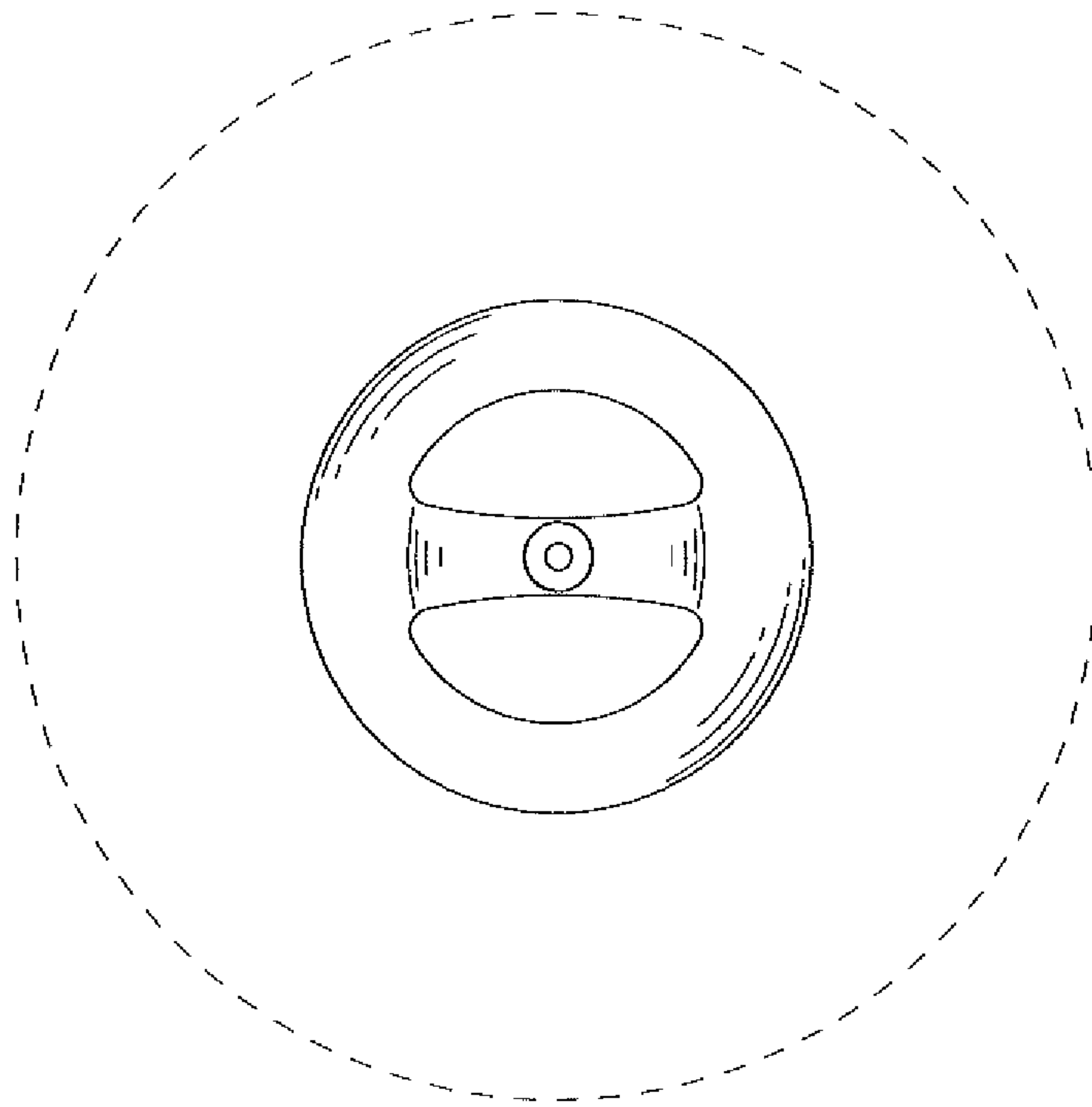


Fig. 15

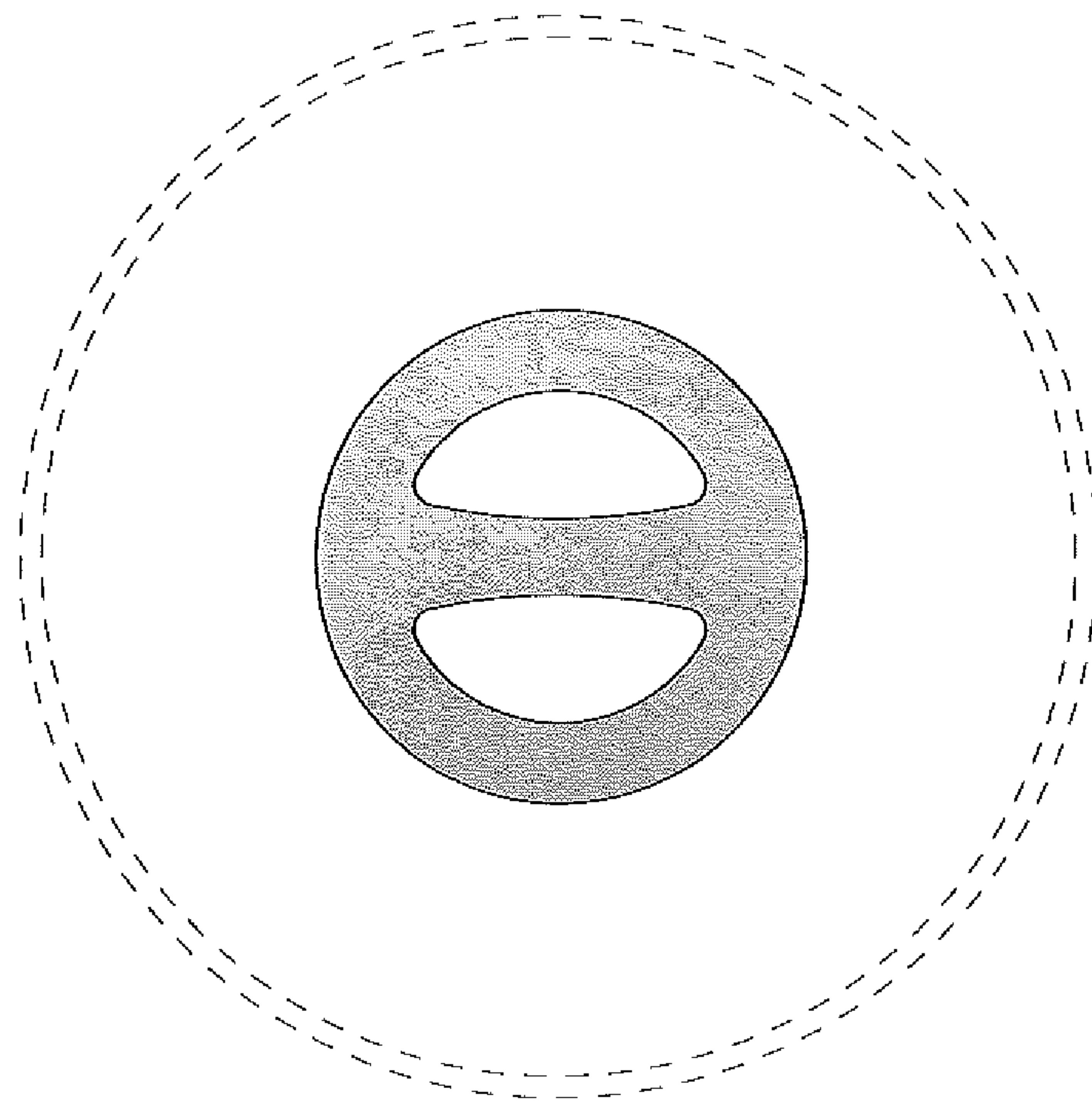


Fig. 16