



US00D931520S

(12) **United States Design Patent**  
**Feng et al.**

(10) **Patent No.:** **US D931,520 S**  
(45) **Date of Patent:** **\*\* Sep. 21, 2021**

- (54) **HEADLAMP ACCENT PANEL**
- (71) Applicant: **PACCAR Inc**, Bellevue, WA (US)
- (72) Inventors: **Rogers Feng**, Issaquah, WA (US);  
**Elliott Black**, Kirkland, WA (US);  
**Jonathan S. Duncan**, Seattle, WA (US)
- (73) Assignee: **PACCAR Inc**, Bellevue, WA (US)
- (\*\*) Term: **15 Years**
- (21) Appl. No.: **29/678,951**
- (22) Filed: **Jan. 31, 2019**
- (51) **LOC (13) Cl.** ..... **26-99**
- (52) **U.S. Cl.**  
USPC ..... **D26/139**
- (58) **Field of Classification Search**  
USPC ..... D26/28-36, 139  
CPC ..... F21S 48/00; F21S 48/10; F21S 48/115;  
F21S 48/225; F21S 48/1233; F21S  
48/1266; F21S 48/1388; F21S 48/2268;  
F21V 5/00; B60Q 9/13; B60Q 9/135;  
B60Q 9/1375; F21K 9/00; F21K 13/00  
See application file for complete search history.

(56) **References Cited**

U.S. PATENT DOCUMENTS

D421,817 S *	3/2000	Tucker	.....	D26/139
D527,138 S *	8/2006	Golden	.....	D26/139
D604,893 S *	11/2009	Woolley	.....	D26/139
D640,826 S *	6/2011	Beigel	.....	D26/139
D660,507 S *	5/2012	Davidson	.....	D26/139
D683,895 S *	6/2013	Platto	.....	D26/139

\* cited by examiner

Primary Examiner — Marcus A Jackson

(74) *Attorney, Agent, or Firm* — Seed IP Law Group LLP

(57) **CLAIM**

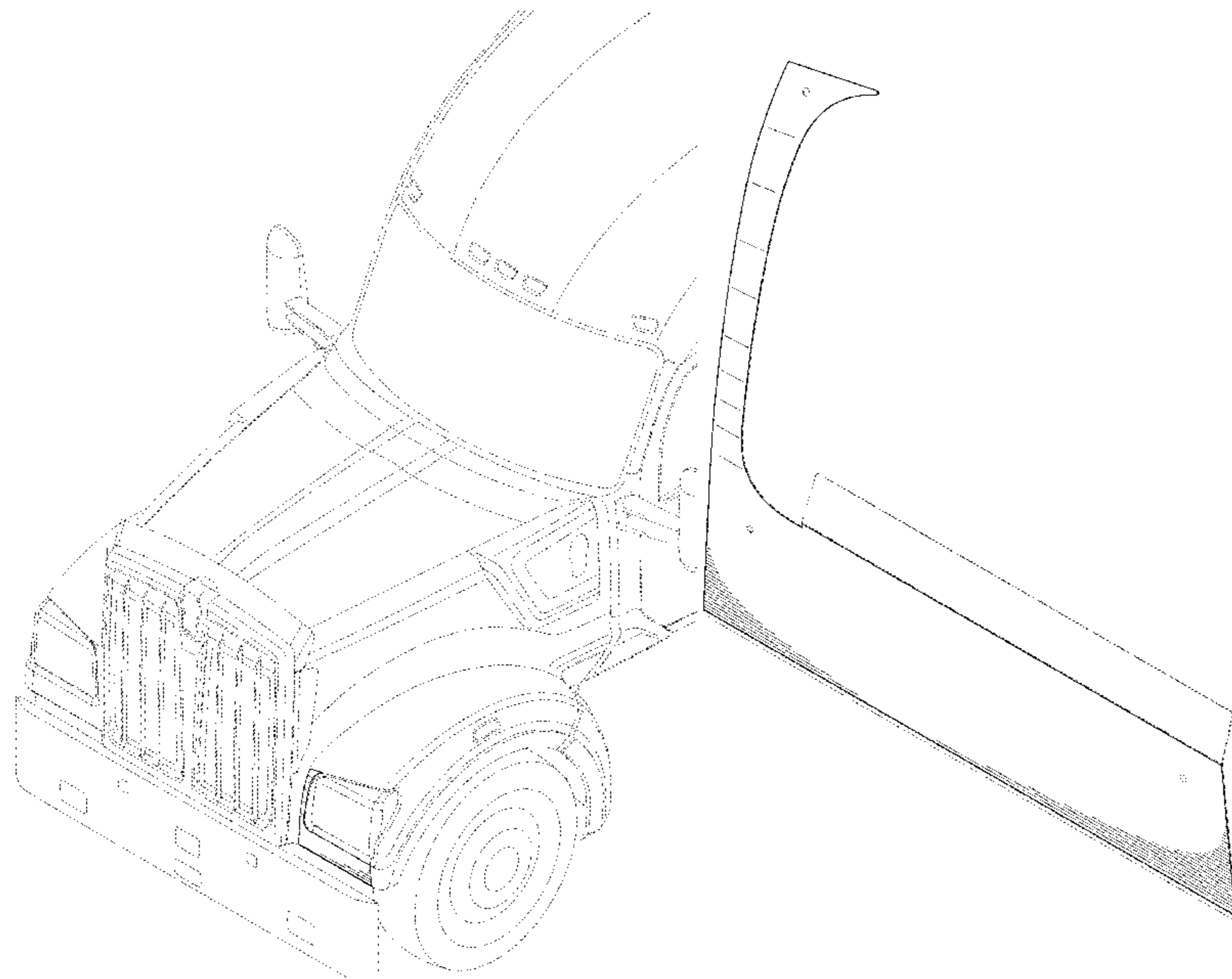
The ornamental design for a headlamp accent panel, as shown and described.

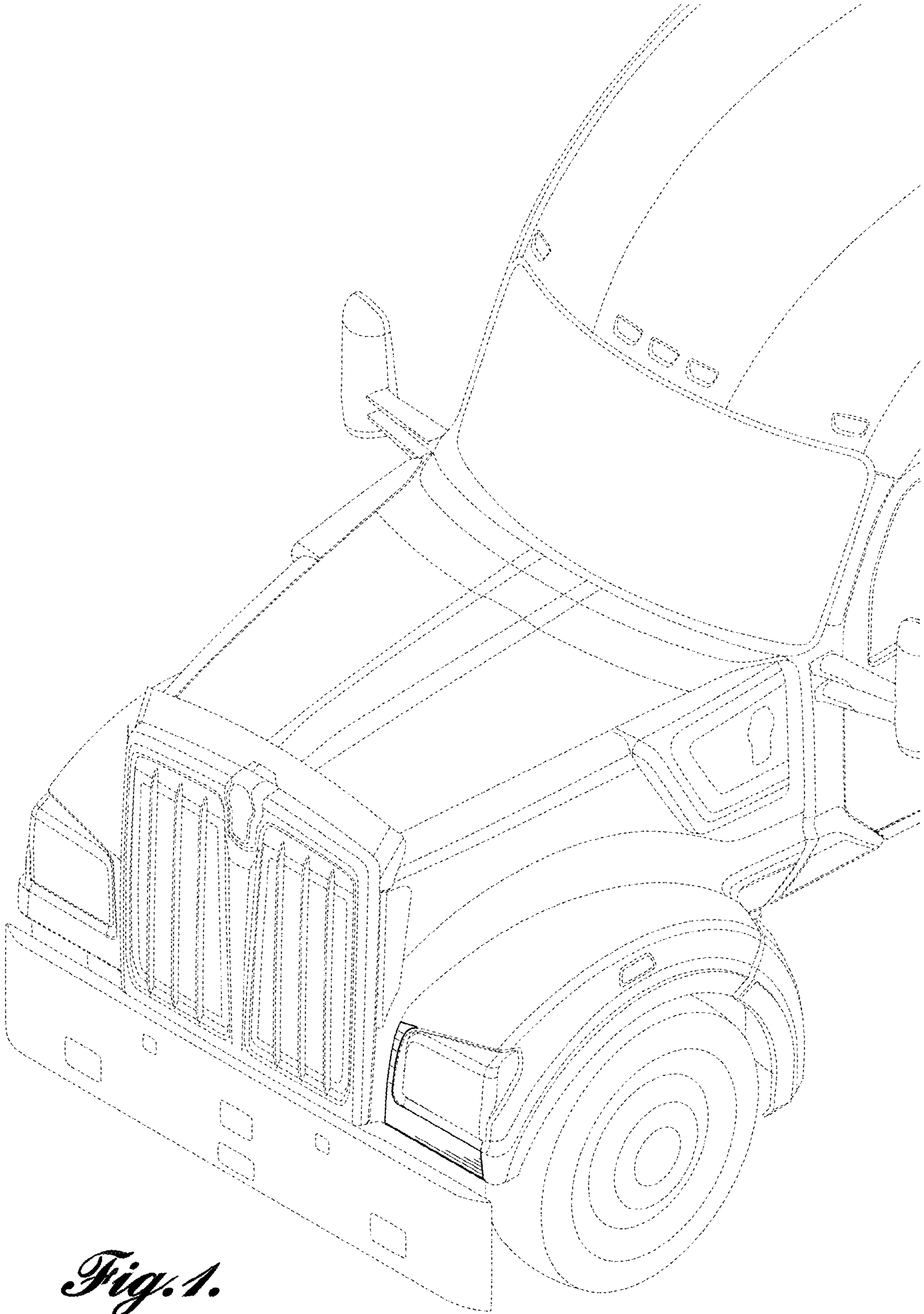
**DESCRIPTION**

FIG. 1 is an environmental view of a vehicle showing a headlamp accent panel according to an embodiment of our new design for use on a first side of the vehicle; FIG. 2 is a front perspective view of the headlamp accent panel shown in FIG. 1 without the environmental elements; FIG. 3 is a front view of the headlamp accent panel shown in FIG. 2; FIG. 4 is a top view of the headlamp accent panel shown in FIG. 2; FIG. 5 is a left side view of the headlamp accent panel shown in FIG. 2; FIG. 6 is a right side view of the headlamp accent panel shown in FIG. 2; FIG. 7 is an environmental view of a vehicle showing a headlamp accent panel according to an embodiment of our new design for use on a second side of the vehicle; FIG. 8 is a front perspective view of the headlamp accent panel shown in FIG. 7 without the environmental elements; FIG. 9 is a front view of the headlamp accent panel shown in FIG. 8; FIG. 10 is top view of the headlamp accent panel shown in FIG. 8; FIG. 11 is a right side view of the headlamp accent panel shown in FIG. 8; and, FIG. 12 is a left side view of the headlamp accent panel shown in FIG. 8.

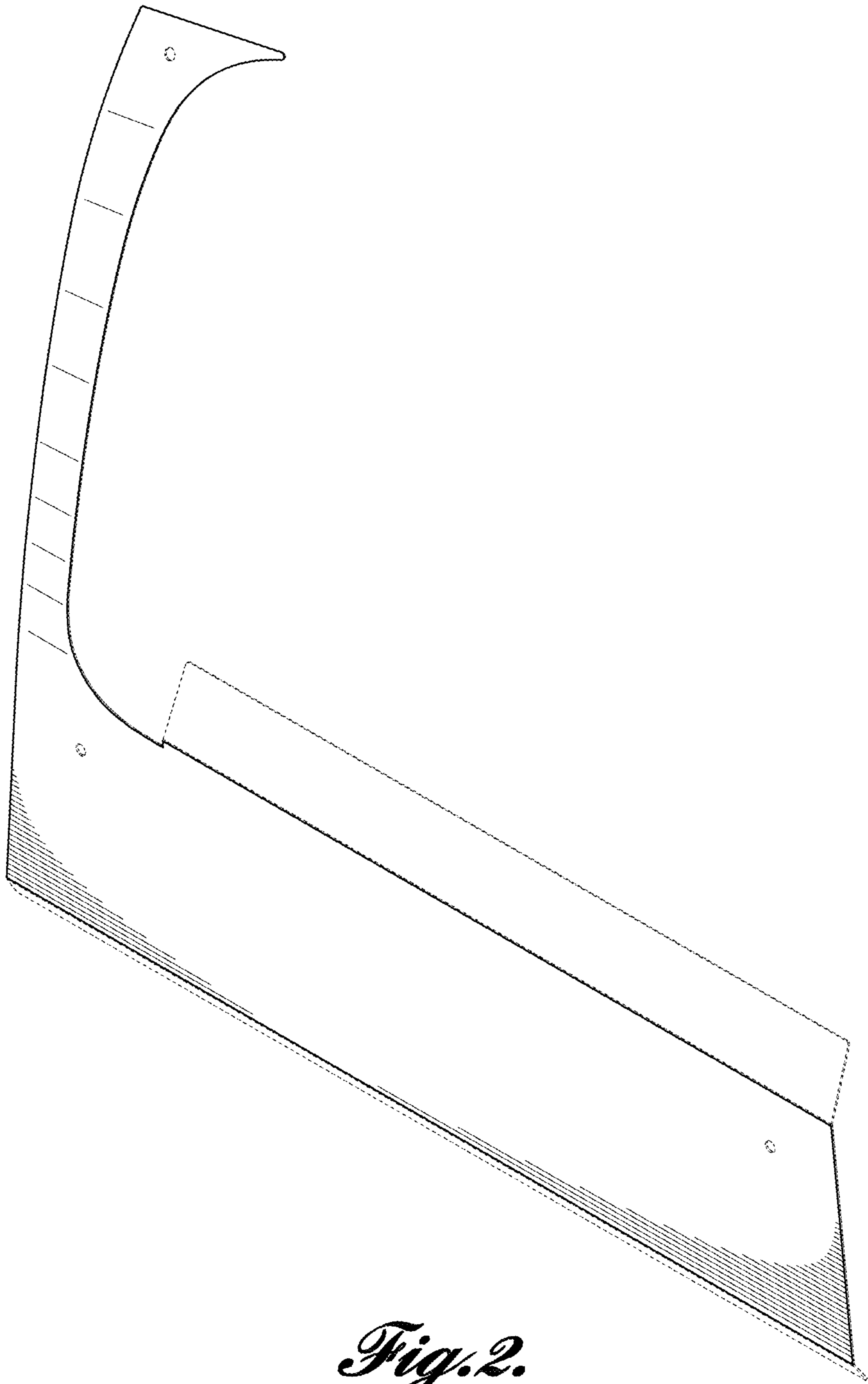
The broken lines shown in the figures represent portions of the headlamp accent panel or surrounding environment that form no part of the claimed design.

**1 Claim, 8 Drawing Sheets**

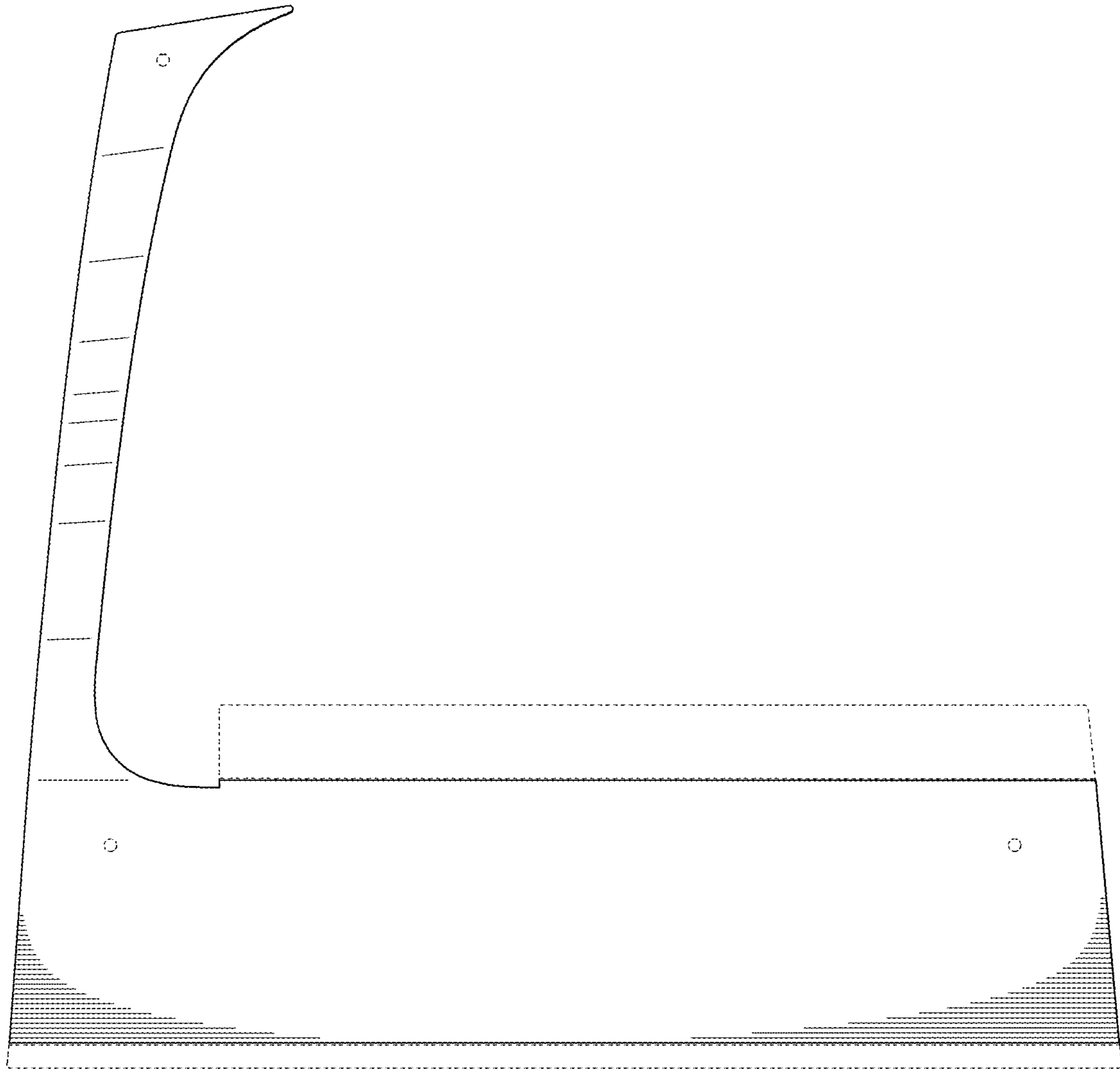




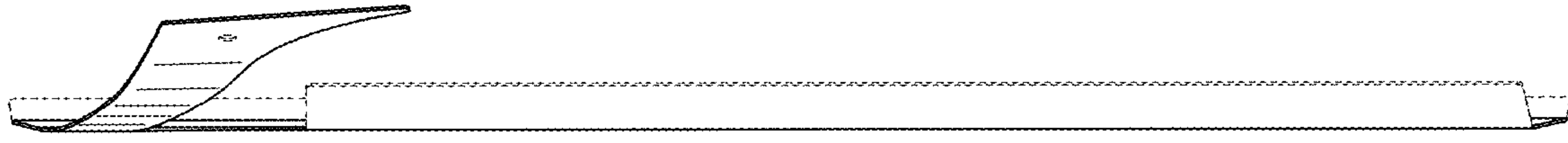
*Fig. 1.*



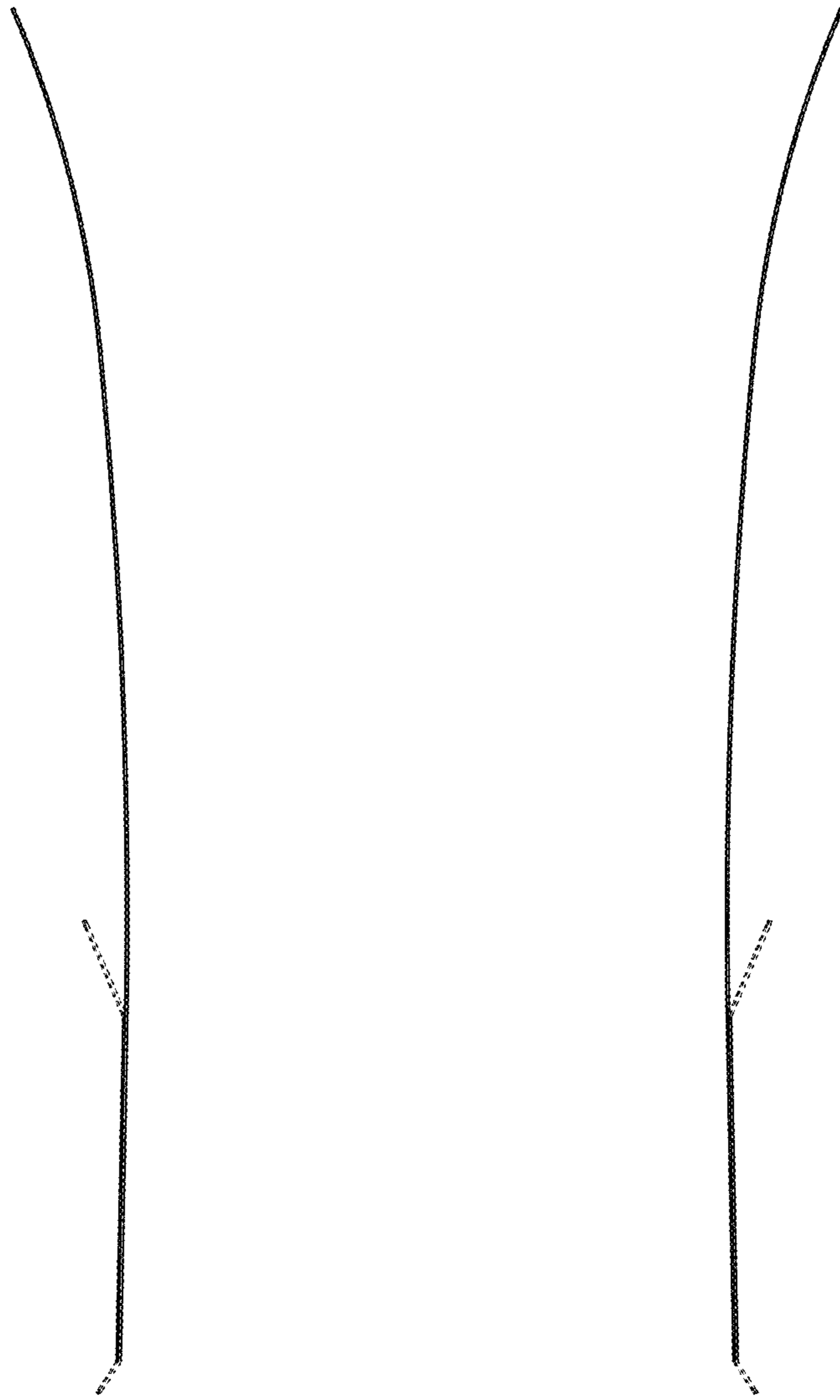
*Fig. 2.*



*Fig. 3.*

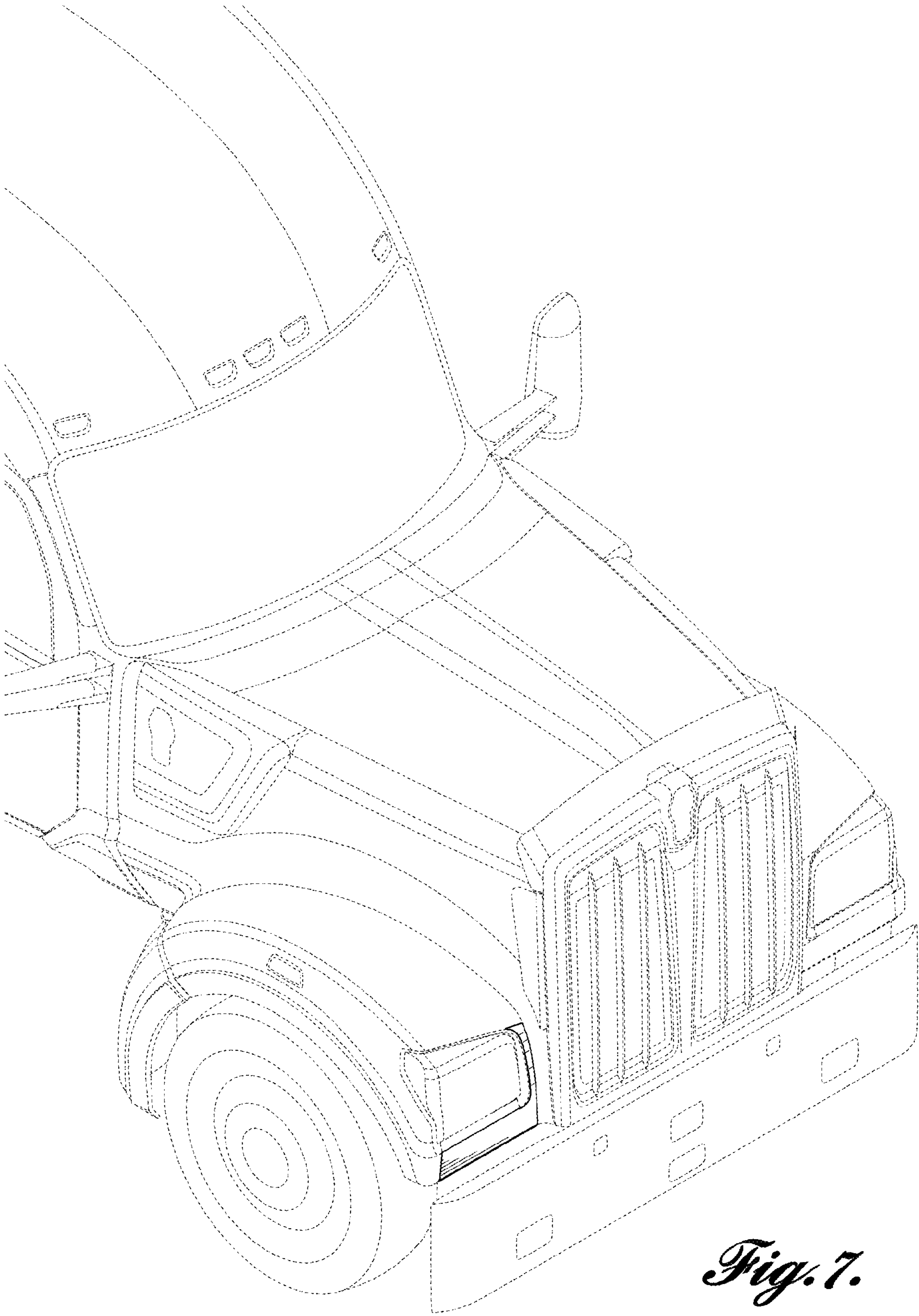


*Fig. 4.*

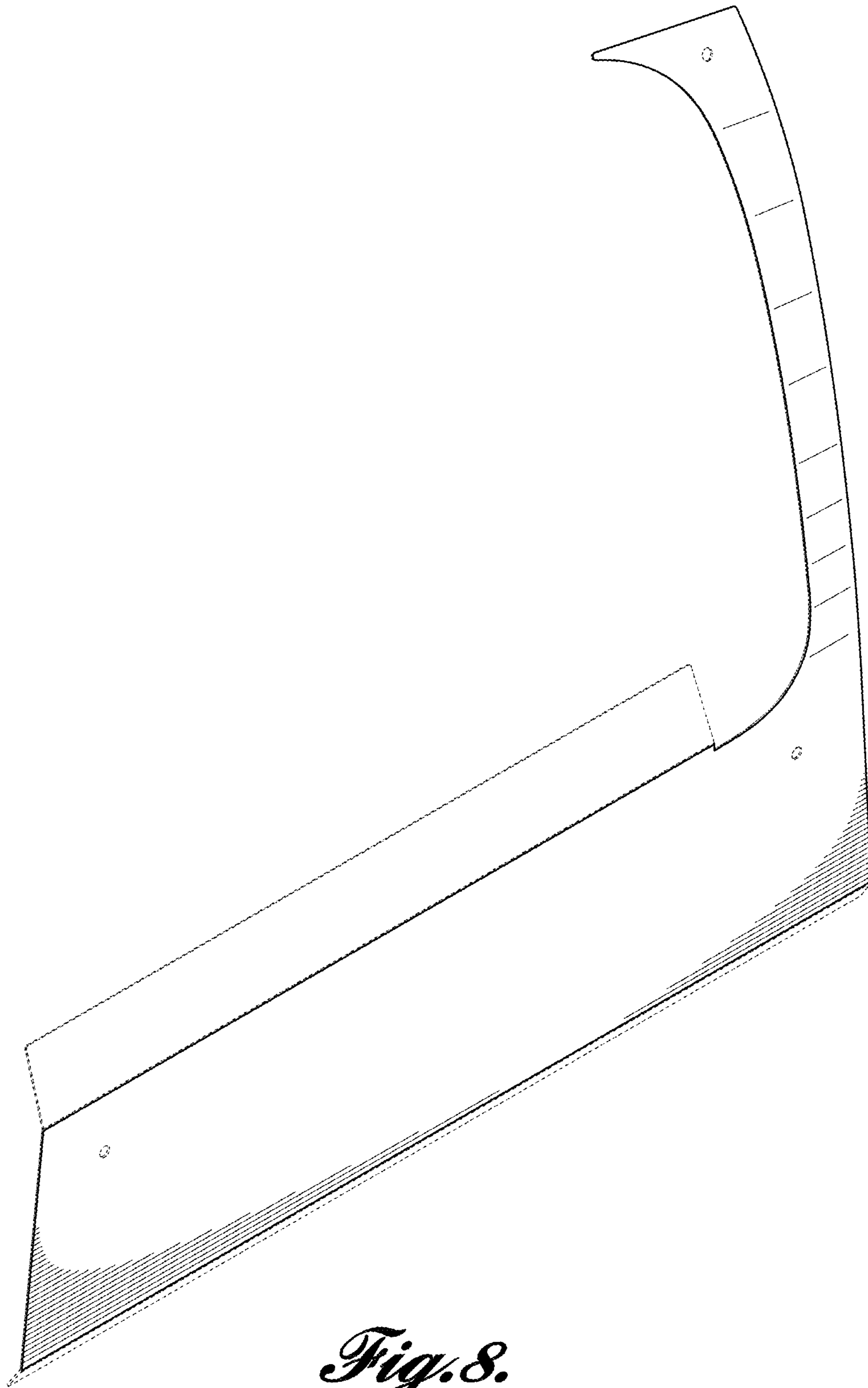


*Fig. 5.*

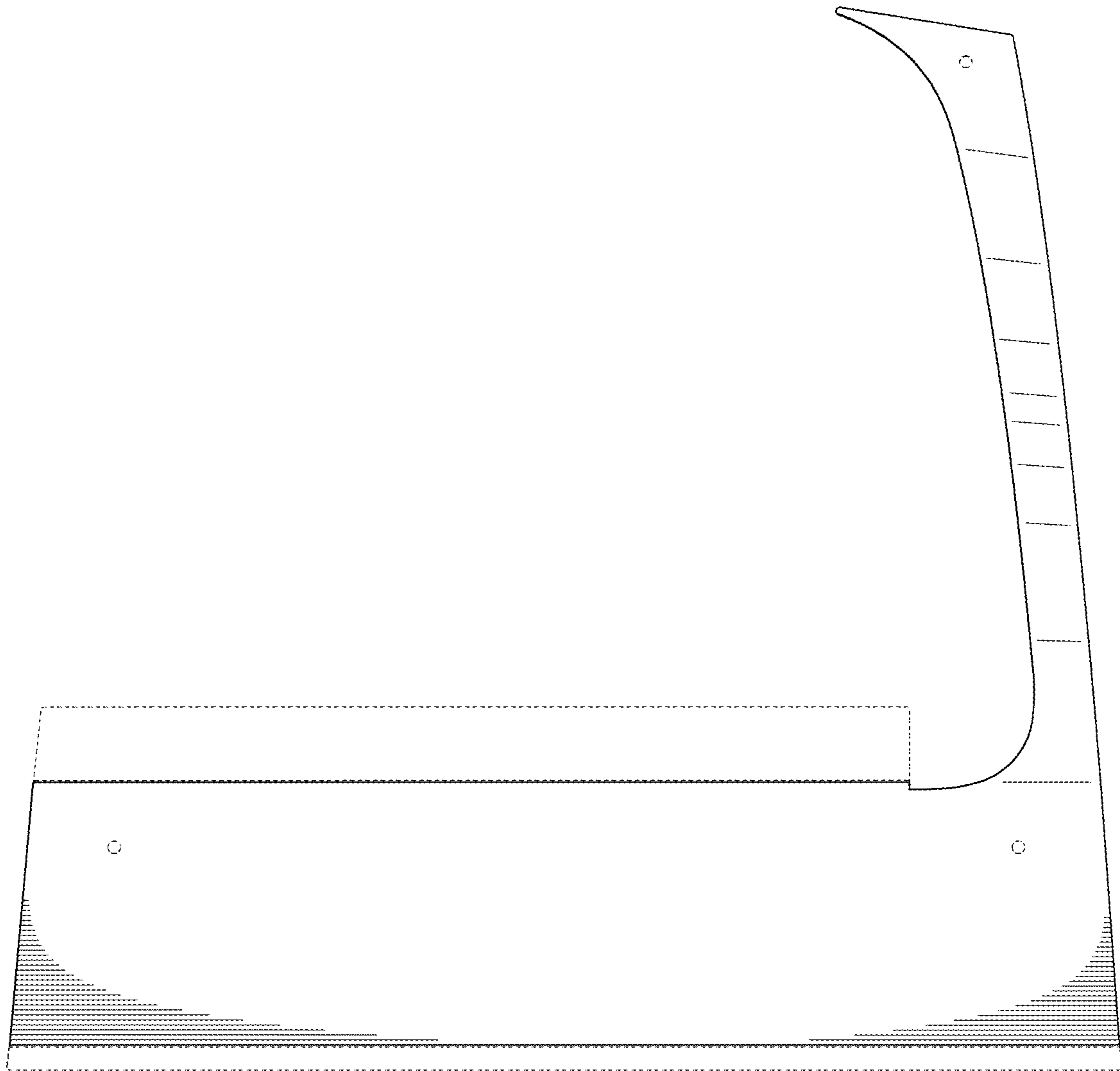
*Fig. 6.*



*Fig. 7.*

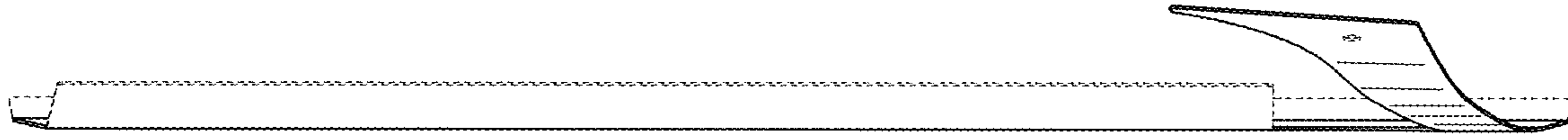


*Fig. 8.*

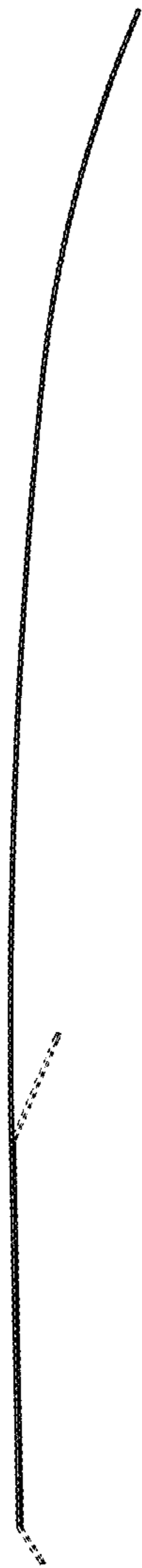


*Fig. 9.*





*Fig. 10.*



*Fig. 11.*



*Fig. 12.*