



US00D931519S

(12) **United States Design Patent** (10) **Patent No.:** **US D931,519 S**  
**Mier-Langner et al.** (45) **Date of Patent:** **\*\* \*Sep. 21, 2021**

(54) **LUMINAIRE STRUCTURE**

FOREIGN PATENT DOCUMENTS

(71) Applicant: **AXIS LIGHTING INC.**, Lasalle (CA)

WO WO 2015/074154 A1 5/2015

(72) Inventors: **Alejandro Mier-Langner**, Lasalle (CA); **Andrew Miles**, Lasalle (CA); **Howard Yaphe**, Lasalle (CA); **Hristea Mihalcea**, Lasalle (CA)

*Primary Examiner* — Michael C Stout  
*Assistant Examiner* — Benjamin M Weeks  
(74) *Attorney, Agent, or Firm* — Barnes & Thornburg LLP

(73) Assignee: **Axis Lighting Inc.**, LaSalle (CA)

(57) **CLAIM**

(\*) Notice: This patent is subject to a terminal disclaimer.

What is claimed is the ornamental illuminatable design for a luminaire structure, as shown and described.

(\*\*) Term: **15 Years**

**DESCRIPTION**

(21) Appl. No.: **29/624,848**

(22) Filed: **Nov. 3, 2017**

**Related U.S. Application Data**

(63) Continuation-in-part of application No. 29/595,928, filed on Mar. 3, 2017, now Pat. No. Des. 870,956.

FIG. 1 is perspective view of the luminaire structure showing our design;  
FIG. 2 is an upper perspective view as viewed from above thereof;  
FIG. 3 is a front elevational view thereof, where the rear elevational view is a mirror of this view and, therefore, has been omitted;  
FIG. 4 is a right side elevational view thereof, where the left side elevational view is a mirror image of this view and, therefore, has been omitted;  
FIG. 5 is a top plan view thereof; and,  
FIG. 6 is a bottom plan view thereof.

(30) **Foreign Application Priority Data**

Sep. 1, 2017 (CA) ..... CA 176779

(51) **LOC (13) Cl.** ..... **26-05**

(52) **U.S. Cl.**  
USPC ..... **D26/138**

(58) **Field of Classification Search**  
USPC ..... D26/28, 30, 31, 118, 2, 73, 74, 75, 76, D26/78, 122, 121, 138, 136, 137, D26/139–145, 155, 71, 60, 68, 113  
(Continued)

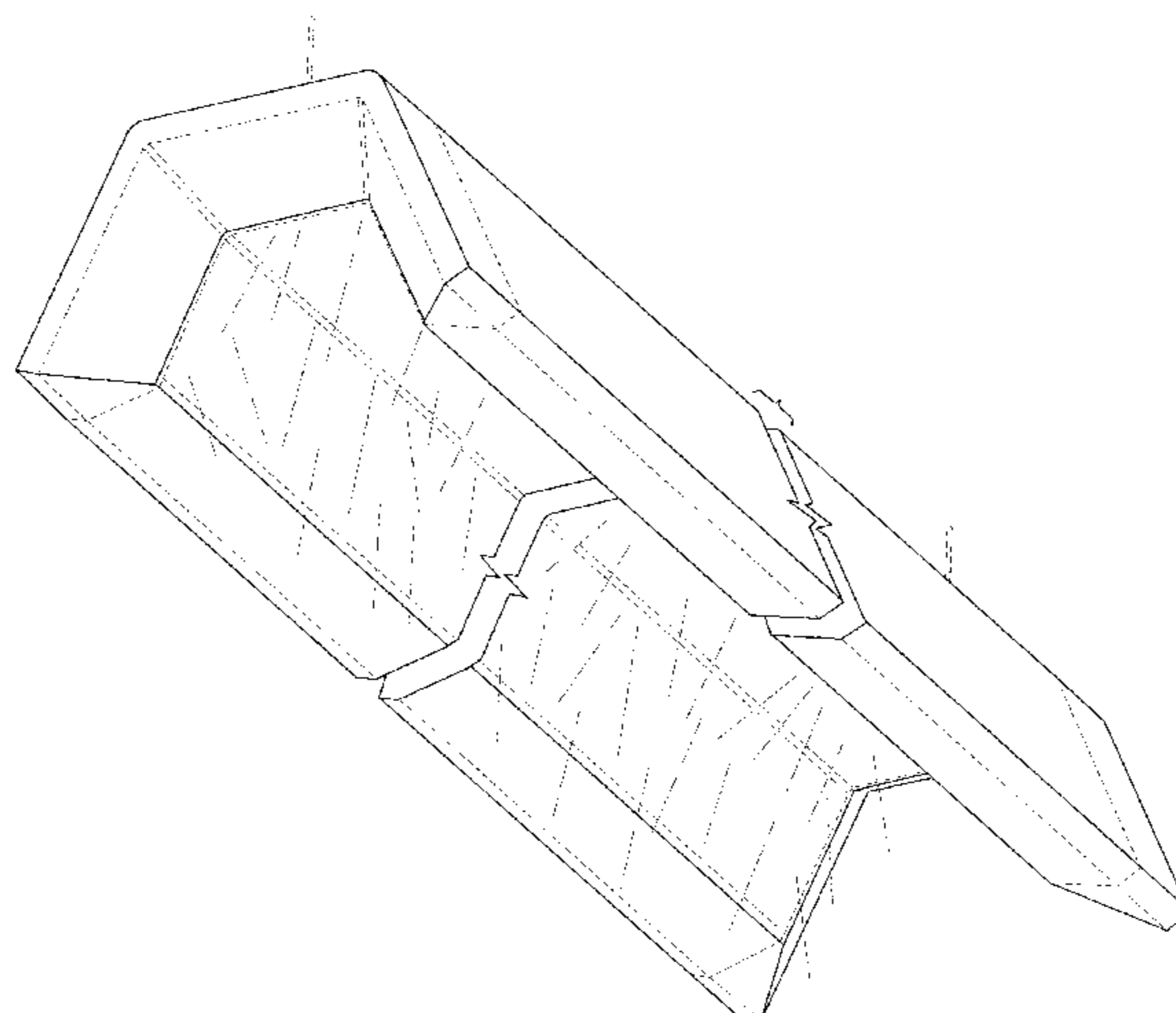
The luminaire structure is an illuminatable device capable of multiple states of illumination. The broken radiating line representations shown in FIGS. 1-3 and 6 represent illuminated surfaces in a state of illumination. The other broken lines in the figures are directed to environment and are for illustrative purposes. The luminaire structure is shown with symbolic break lines along its length, width and/or depth. The appearance of a portion of the article between the break lines does not form part of the design. A separation and a bracket are used to indicate that, for ease of illustration, the specific dimension of the article associated with the separation and bracket is not claimed and is to be broadly interpreted. The subject matter herein includes any of the present figures with any such symbolic break lines removed, or with one or more further symbolic break lines added.

(56) **References Cited**

U.S. PATENT DOCUMENTS

D135,375 S 3/1943 Biller  
D139,669 S 12/1944 Lippincott  
(Continued)

(Continued)



The luminaire structure is not limited to the scale shown here in.

**1 Claim, 6 Drawing Sheets**

(58) **Field of Classification Search**

CPC ..... F21V 31/03; F21V 7/0083; F21V 29/004;  
B60Q 1/04; B60Q 1/26

See application file for complete search history.

(56) **References Cited**

U.S. PATENT DOCUMENTS

D202,210 S \* 9/1965 Kasten ..... D26/113  
D292,322 S 10/1987 Krol  
D344,364 S 2/1994 Engle  
D404,165 S 1/1999 Vakil

D405,910 S 2/1999 Walz  
6,170,967 B1 1/2001 Usher et al.  
7,306,359 B2 12/2007 Harwood  
D585,581 S 1/2009 Purcell  
D646,820 S 10/2011 Wauters  
D698,973 S 2/2014 Santoro et al.  
D731,700 S \* 6/2015 Santoro ..... D26/118  
D780,971 S \* 3/2017 Santoro ..... D26/72  
D806,926 S \* 1/2018 Goetz-Schaefer ..... D26/76  
D807,572 S \* 1/2018 Klus ..... D26/138  
D808,577 S \* 1/2018 Klus ..... D26/138  
D813,443 S \* 3/2018 Matteson ..... D26/138  
D815,332 S \* 4/2018 Santoro ..... D26/90  
D819,879 S \* 6/2018 Oudina ..... D26/142  
D830,604 S \* 10/2018 Watt ..... D26/76  
D830,605 S \* 10/2018 Watt ..... D26/76  
D840,588 S \* 2/2019 Shaeffer ..... D26/139  
D843,046 S \* 3/2019 Watt ..... D26/76  
2006/0198134 A1 9/2006 Fowler, Jr.  
2015/0338566 A1 11/2015 Santoro

\* cited by examiner

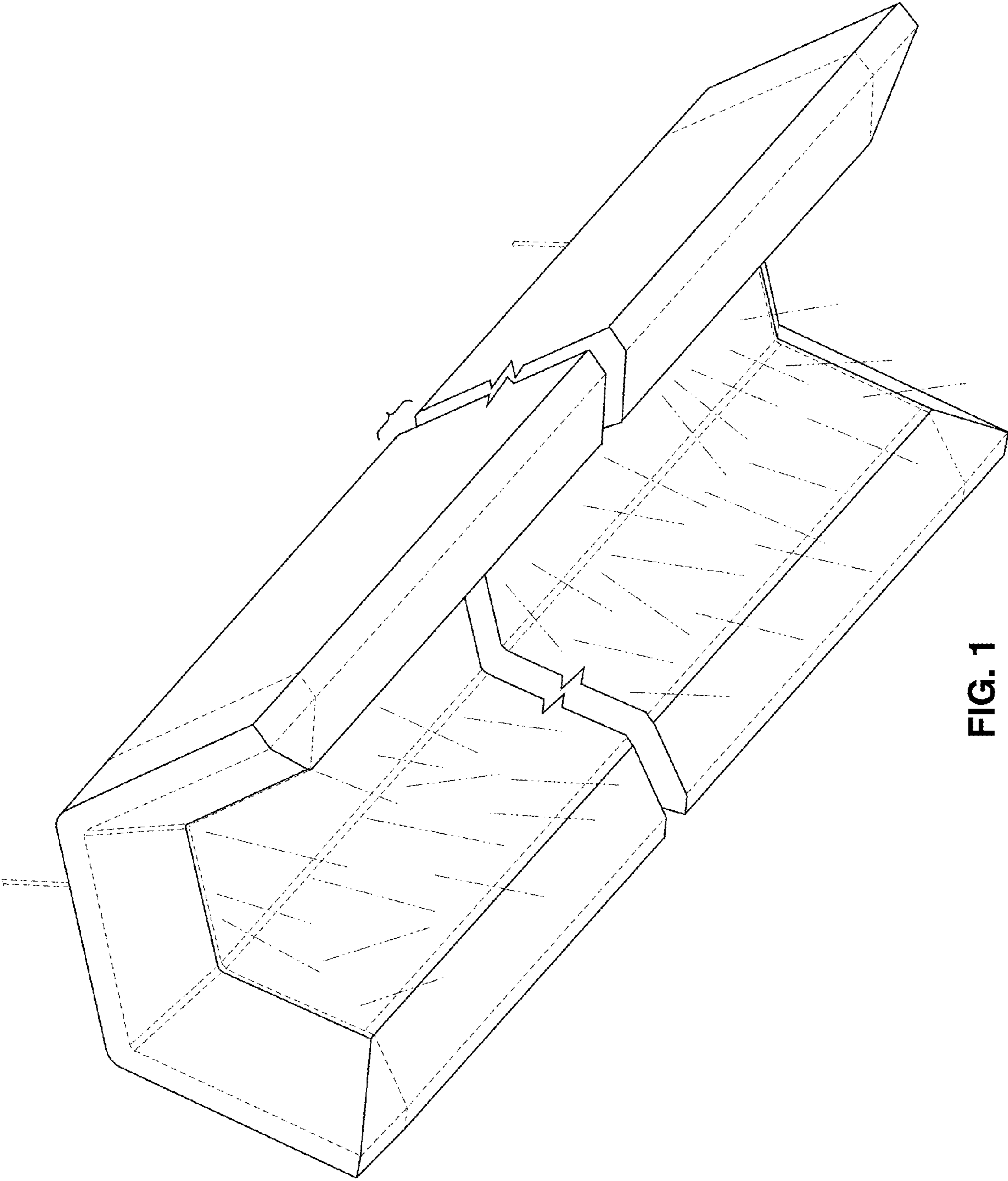


FIG. 1

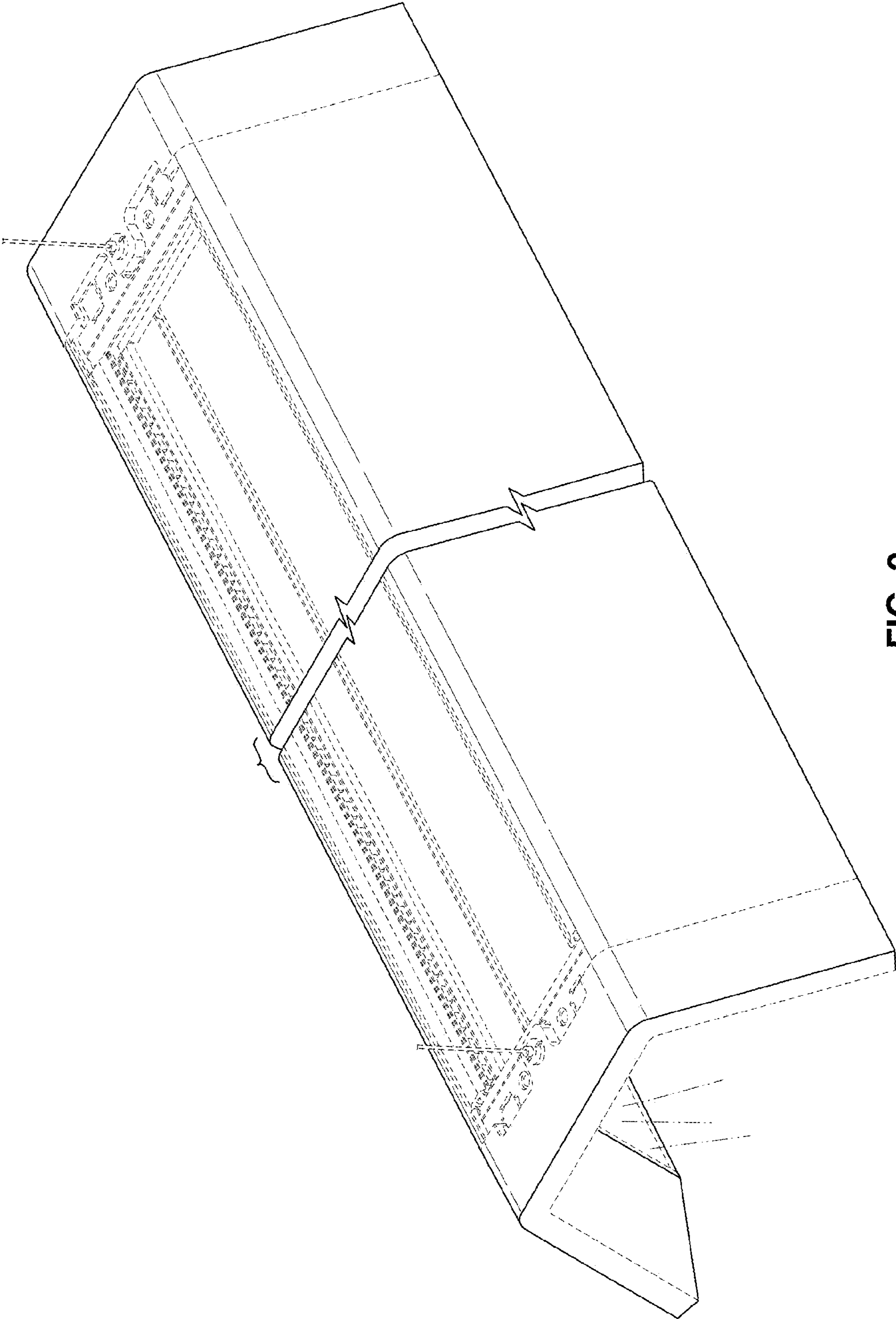
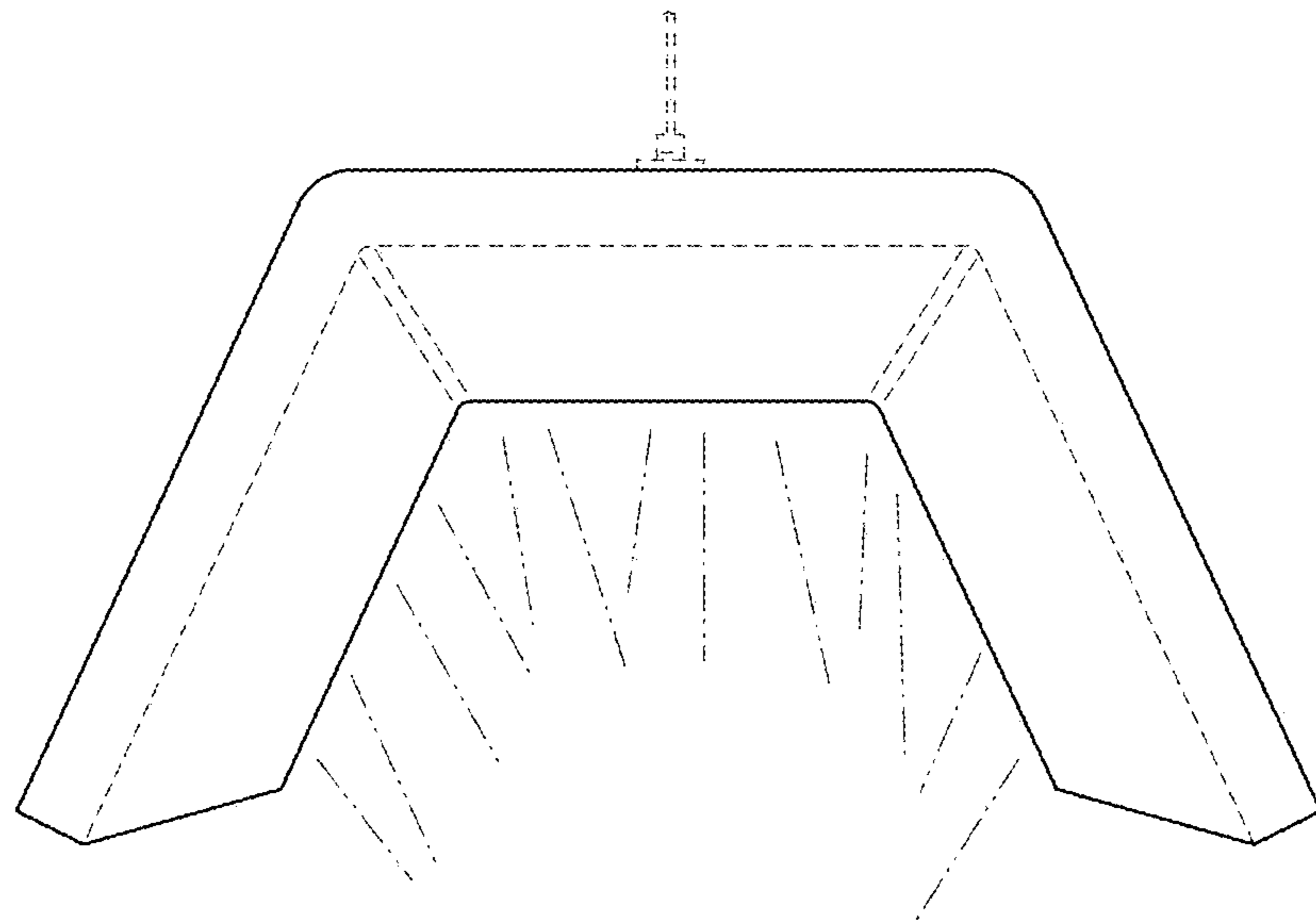


FIG. 2





**FIG. 3**

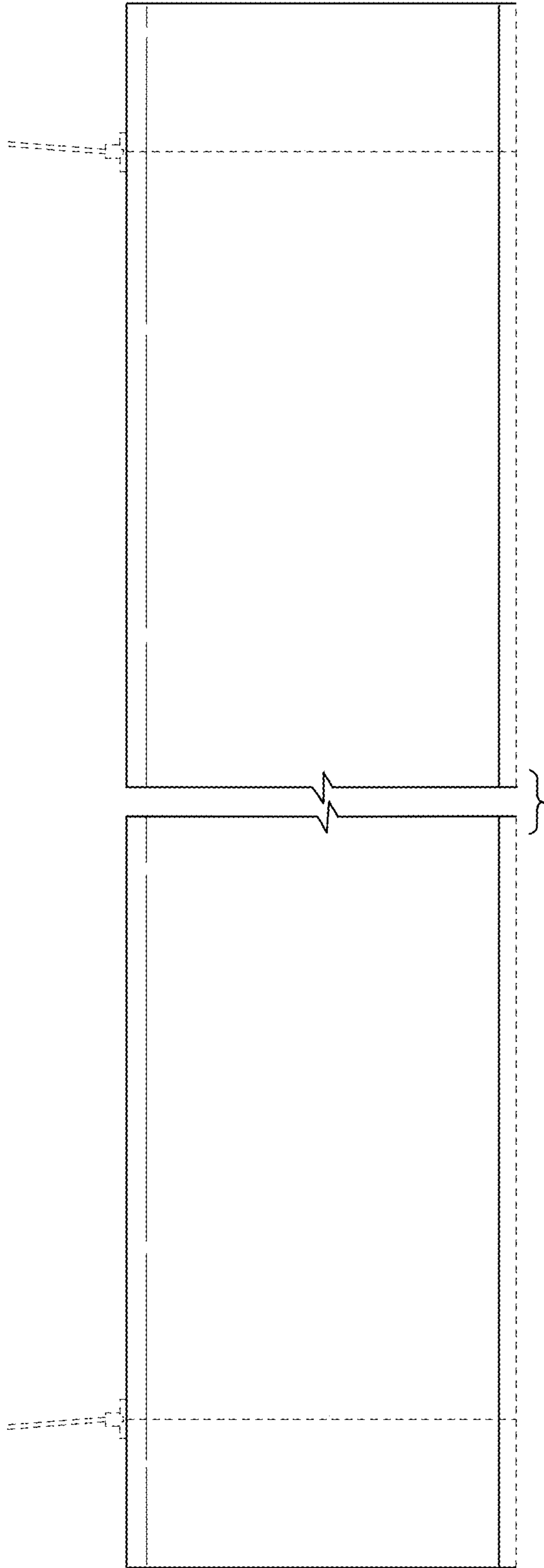


FIG. 4

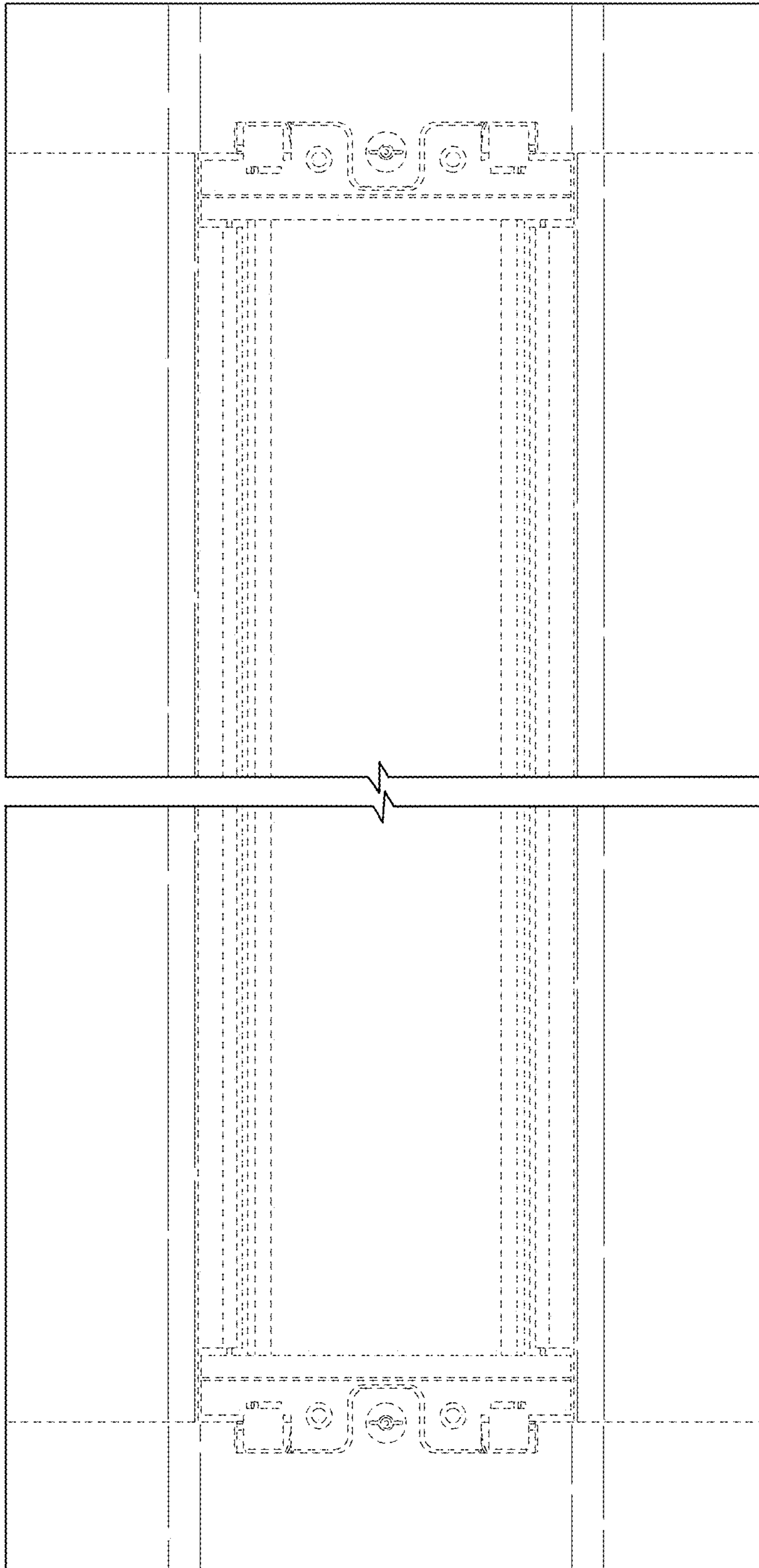


FIG. 5

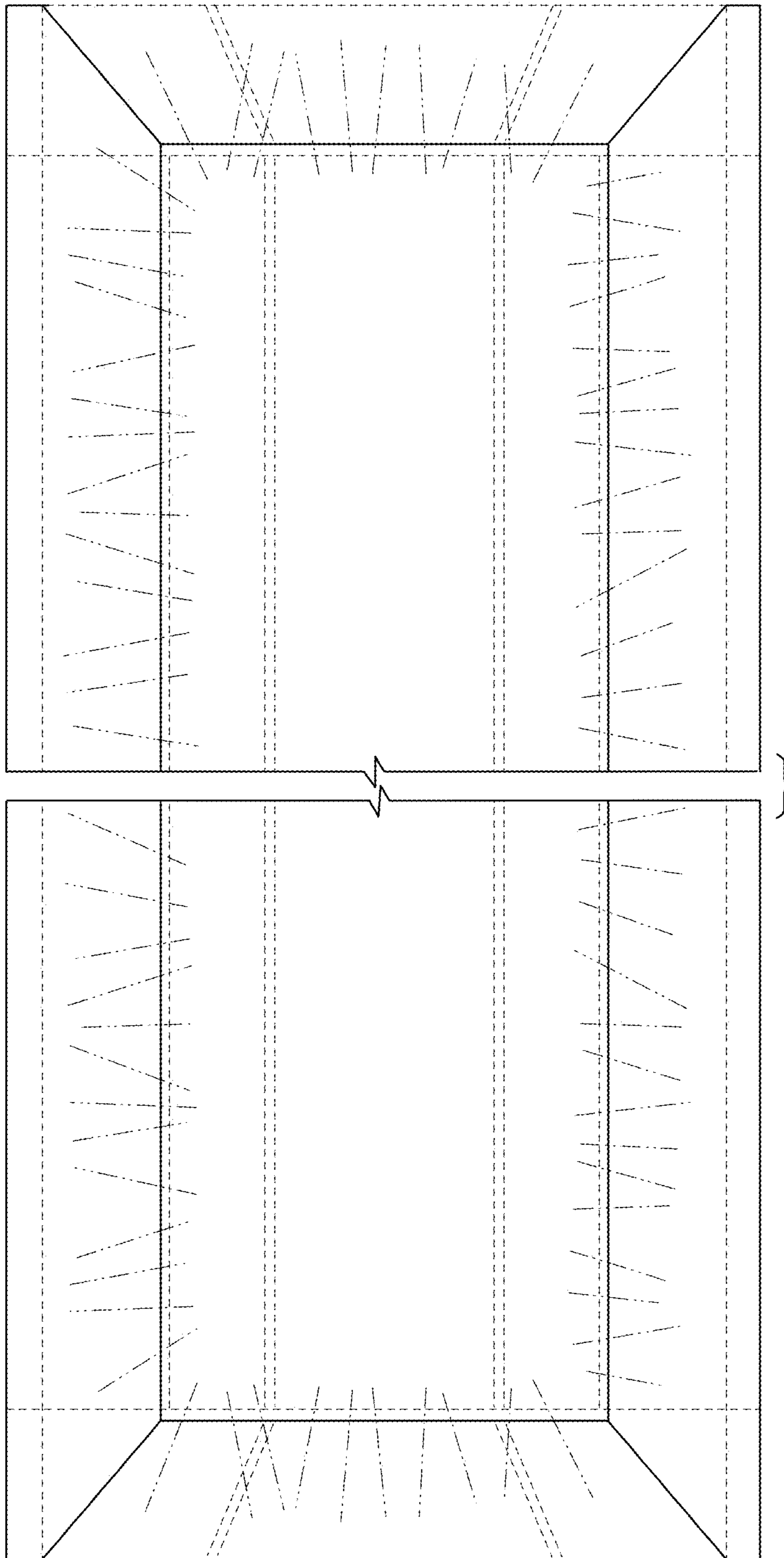


FIG. 6