



US00D931513S

(12) **United States Design Patent** (10) **Patent No.:** **US D931,513 S**  
**Dorman** (45) **Date of Patent:** **\*\* Sep. 21, 2021**

(54) **LANTERN**

(56) **References Cited**

(71) Applicant: **MILWAUKEE ELECTRIC TOOL CORPORATION**, Brookfield, WI (US)

U.S. PATENT DOCUMENTS

(72) Inventor: **Justin D. Dorman**, Wauwatosa, WI (US)

4,483,683 A	11/1984	Alley, Sr.	
D334,437 S *	3/1993	Poon .....	D26/42
D367,123 S	2/1996	Blye	
5,688,042 A	11/1997	Madali et al.	
D389,931 S *	1/1998	Kovacik .....	D26/37
D407,171 S	3/1999	Yuen	
D409,776 S *	5/1999	Ghode .....	D26/42
D439,354 S	3/2001	Yuen	
D439,689 S	3/2001	Yuen	
D441,888 S	5/2001	Haneda et al.	
D492,806 S	7/2004	Hsu et al.	

(73) Assignee: **Milwaukee Electric Tool Corporation**, Brookfield, WI (US)

(\*\*) Term: **15 Years**

(Continued)

(21) Appl. No.: **29/723,343**

(22) Filed: **Feb. 6, 2020**

OTHER PUBLICATIONS

**Related U.S. Application Data**

Fox Fury Lighting Solutions, "Nomad 360 Portable Scene Light" <[http://www.foxfury.com/catalog/product\\_info.php?products\\_id=194](http://www.foxfury.com/catalog/product_info.php?products_id=194)> webpage available as early as Jul. 28, 2012.

(60) Division of application No. 29/679,424, filed on Feb. 6, 2019, now Pat. No. Des. 899,644, which is a continuation of application No. 29/536,723, filed on Aug. 19, 2015, now Pat. No. Des. 844,870, which is a division of application No. 29/483,235, filed on Feb. 26, 2014, now Pat. No. Des. 742,052.

*Primary Examiner* — Wendy L Arminio  
(74) *Attorney, Agent, or Firm* — Michael Best & Friedrich LLP

(51) **LOC (13) Cl.** ..... **26-02**

(57) **CLAIM**

(52) **U.S. Cl.**  
USPC ..... **D26/40**

I claim the ornamental design for a lantern, as shown and described.

(58) **Field of Classification Search**

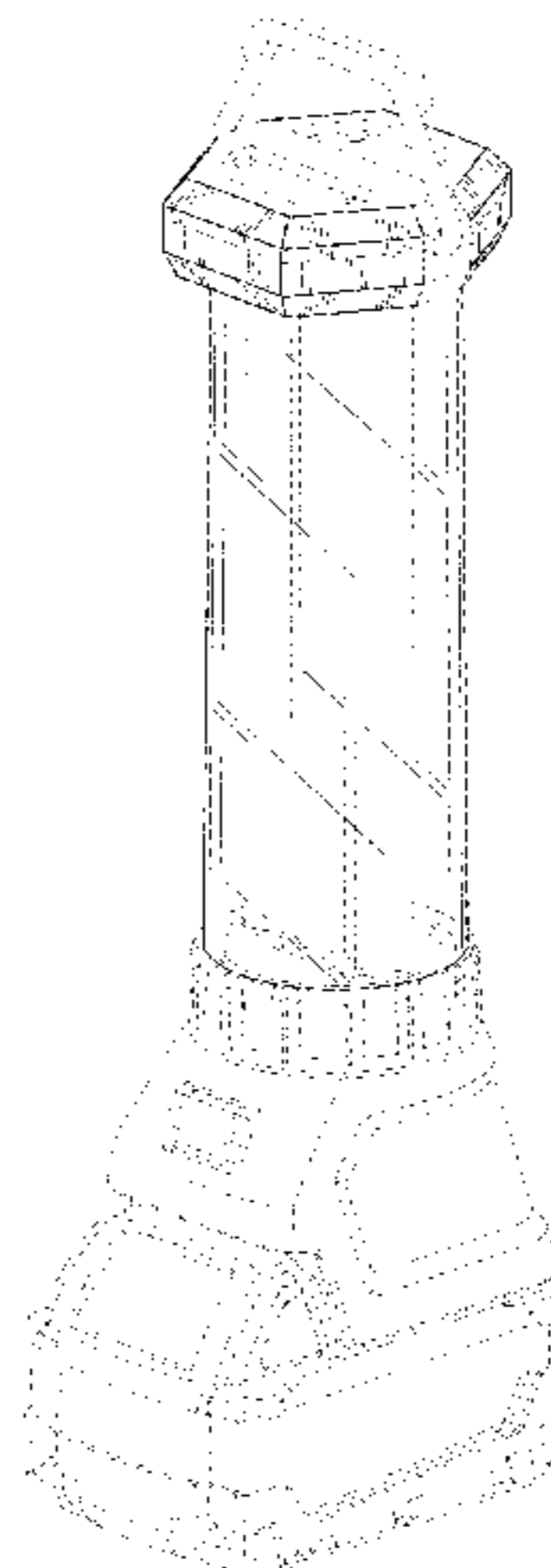
**DESCRIPTION**

USPC ..... D26/37-51  
CPC ..... F21L 2003/00; F21L 4/005; F21L 4/025; F21L 4/027; F21L 4/04; F21L 4/08; F21L 13/00; F21L 13/08; F21L 14/02; F21L 19/00; F21L 2/00; F21L 4/00-4/085; F21L 15/00-15/14; F21L 2001/00; F21L 2005/00; F21L 25/00; F21L 4/02; F21L 4/022; F21L 4/045; F21L 4/06; F21L 13/04; F21L 17/00; F21L 15/02; F21L 15/04; F21L 15/06; F21L 15/08; F21L 15/10

FIG. 1 is a front perspective view of a lantern in accordance with the present invention.  
FIG. 2 is a left side view of the lantern of FIG. 1.  
FIG. 3 is a right side view of the lantern of FIG. 1.  
FIG. 4 is a front view of the lantern of FIG. 1.  
FIG. 5 is a rear view of the lantern of FIG. 1; and, FIG. 6 is a top view of the lantern of FIG. 1.  
The portions of the lantern shown in broken lines having unequal length segments illustrate the boundaries of the claim and form no part of the claimed design. The remainder

See application file for complete search history.

(Continued)



of the broken lines show portions of the lantern which form no part of the claimed design.

**1 Claim, 4 Drawing Sheets**

(56)

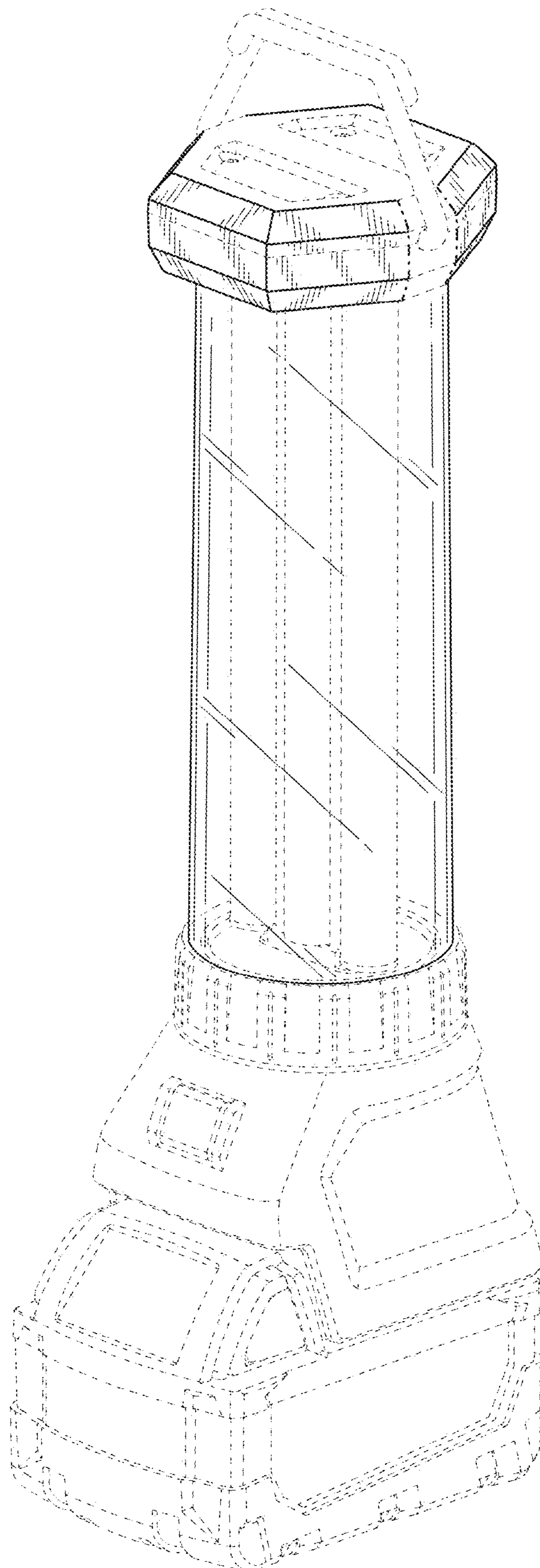
**References Cited**

U.S. PATENT DOCUMENTS

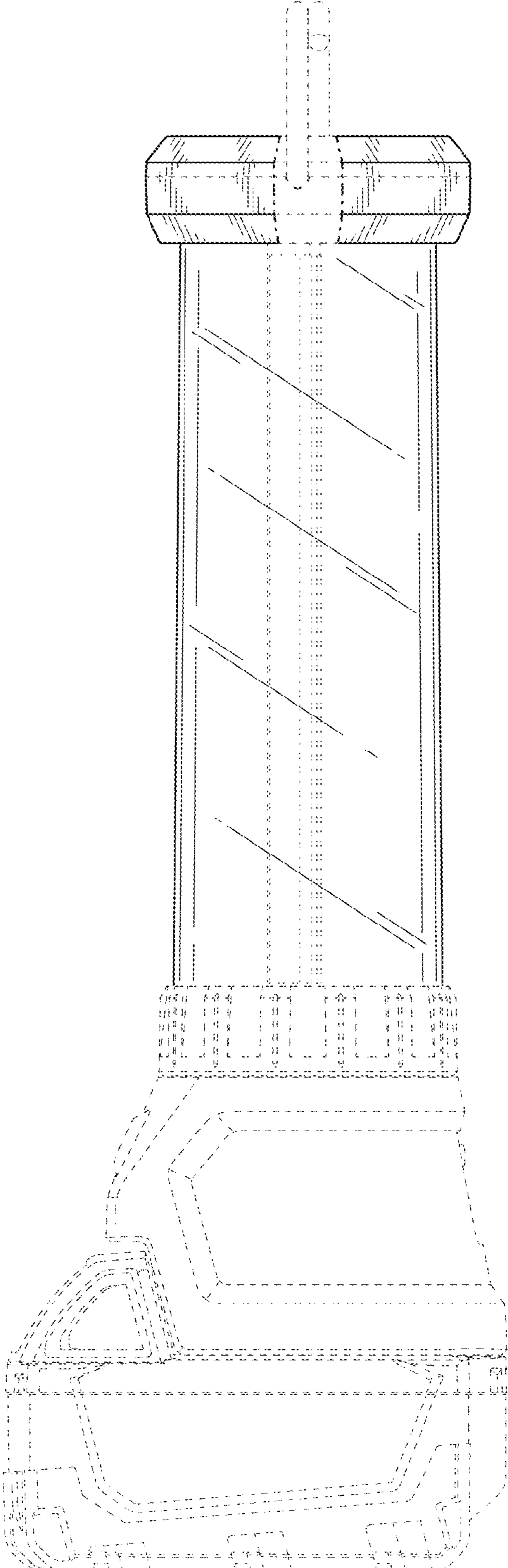
6,877,876	B1	4/2005	Steinhilber	
D515,721	S	2/2006	Lin	
D523,577	S	6/2006	Bayat et al.	
D526,077	S	8/2006	Leen	
D530,843	S	* 10/2006	Yamamoto .....	D26/42
D535,419	S	1/2007	Shiu	
D537,968	S	3/2007	Shui	
D538,457	S	3/2007	Kovacik et al.	
D546,488	S	7/2007	Poon	
7,311,423	B2	12/2007	Frecska et al.	
D559,418	S	1/2008	Poon	
D581,076	S	* 11/2008	Brown .....	D26/40
D610,283	S	2/2010	Loibl	
7,699,491	B2	4/2010	Sharrah et al.	
7,717,586	B2	5/2010	Tucker	
D618,831	S	* 6/2010	Pennington .....	D26/26
D620,627	S	7/2010	Kovacik et al.	
D621,536	S	8/2010	Lee	
D622,430	S	8/2010	Chilton	
7,891,841	B2	2/2011	Levine	
7,967,466	B2	6/2011	Chu	
D643,560	S	8/2011	Tompkin	
8,029,159	B2	10/2011	Chen	
D648,466	S	11/2011	Hickman	
8,075,163	B2	12/2011	Xiao et al.	
8,096,684	B2	1/2012	Salm et al.	
D655,431	S	3/2012	Leen	

D658,324	S	4/2012	Reinmann et al.	
D661,417	S	6/2012	Kung	
8,201,974	B1	6/2012	Smith et al.	
8,337,059	B2	12/2012	Barnett et al.	
8,485,683	B2	7/2013	Popper et al.	
8,511,847	B2	8/2013	Sharrah et al.	
D694,445	S	11/2013	Shiu	
D698,959	S	2/2014	Shen	
8,641,241	B2	2/2014	Farmer	
8,674,266	B2	3/2014	Fis-Menache	
D701,986	S	4/2014	Goeckel	
D707,378	S	6/2014	Shiu	
D708,376	S	7/2014	Crowe et al.	
8,791,640	B2	7/2014	Steele et al.	
D711,573	S	8/2014	Payne	
D725,300	S	3/2015	Dalton	
D726,354	S	4/2015	Davies	
D737,488	S	8/2015	Chen	
D739,063	S	* 9/2015	Su .....	D26/42
D742,052	S	10/2015	Dorman	
D742,569	S	* 11/2015	Dorman .....	D26/45
D748,836	S	2/2016	Zhang	
D750,825	S	* 3/2016	Bryant .....	D26/42
D773,704	S	* 12/2016	Pardo .....	D26/41
D794,235	S	* 8/2017	Green .....	D26/40
D809,169	S	* 1/2018	Grandadam .....	D26/38
D809,690	S	* 2/2018	Marshall .....	D26/41
D810,335	S	* 2/2018	Levy .....	D26/37
D841,849	S	2/2019	Ladnier et al.	
D844,870	S	4/2019	Dorman	
D844,871	S	* 4/2019	Plott .....	D26/40
D857,959	S	* 8/2019	Yu .....	D26/41
D861,941	S	* 10/2019	Hammer .....	D26/40
D894,455	S	* 8/2020	Kunzendorf .....	D26/41
2012/0057333	A1	3/2012	Bhardwaj et al.	
2012/0079755	A1	4/2012	Torres et al.	
2014/0204218	A1	7/2014	Gebhard et al.	

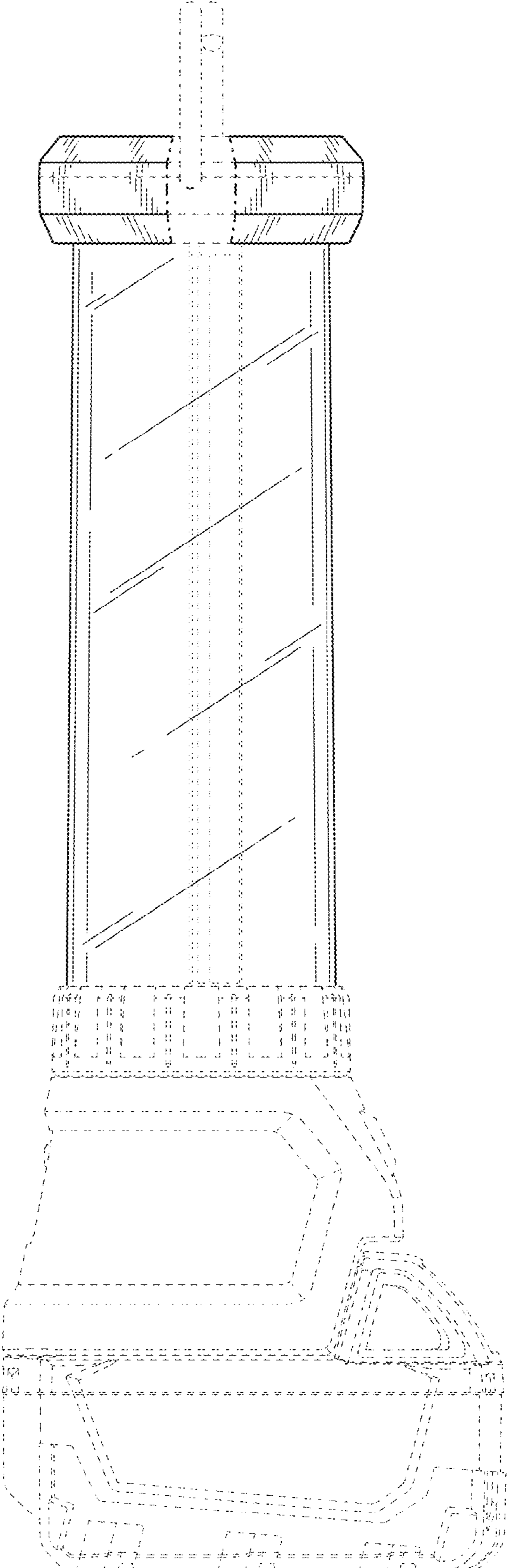
\* cited by examiner



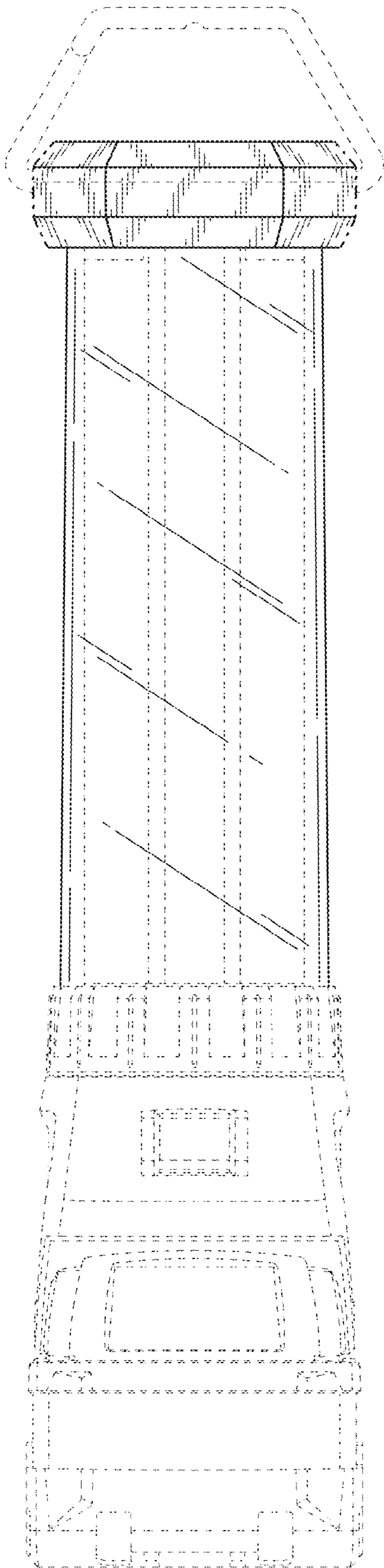
**FIG. 1**



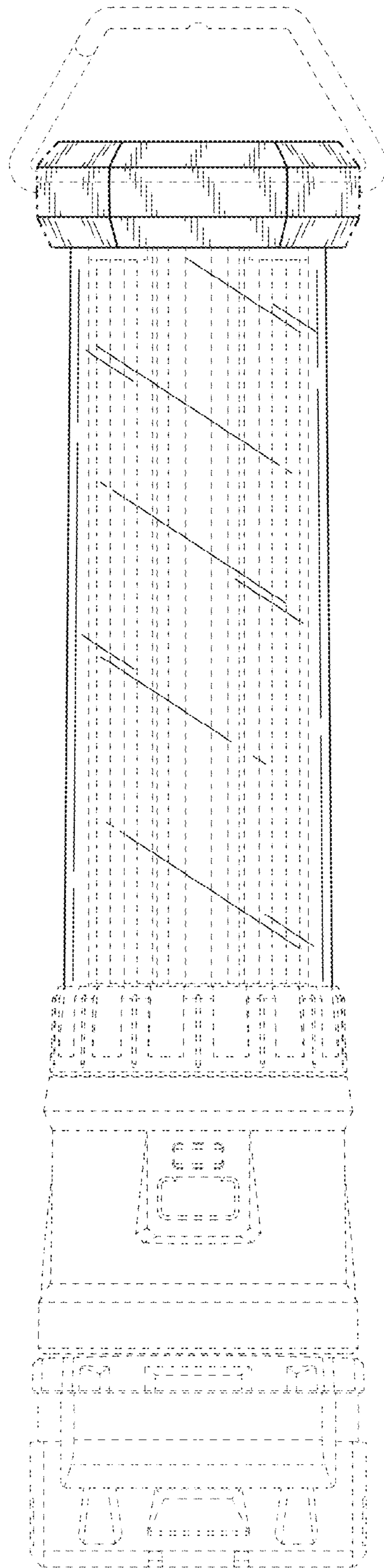
**FIG. 2**



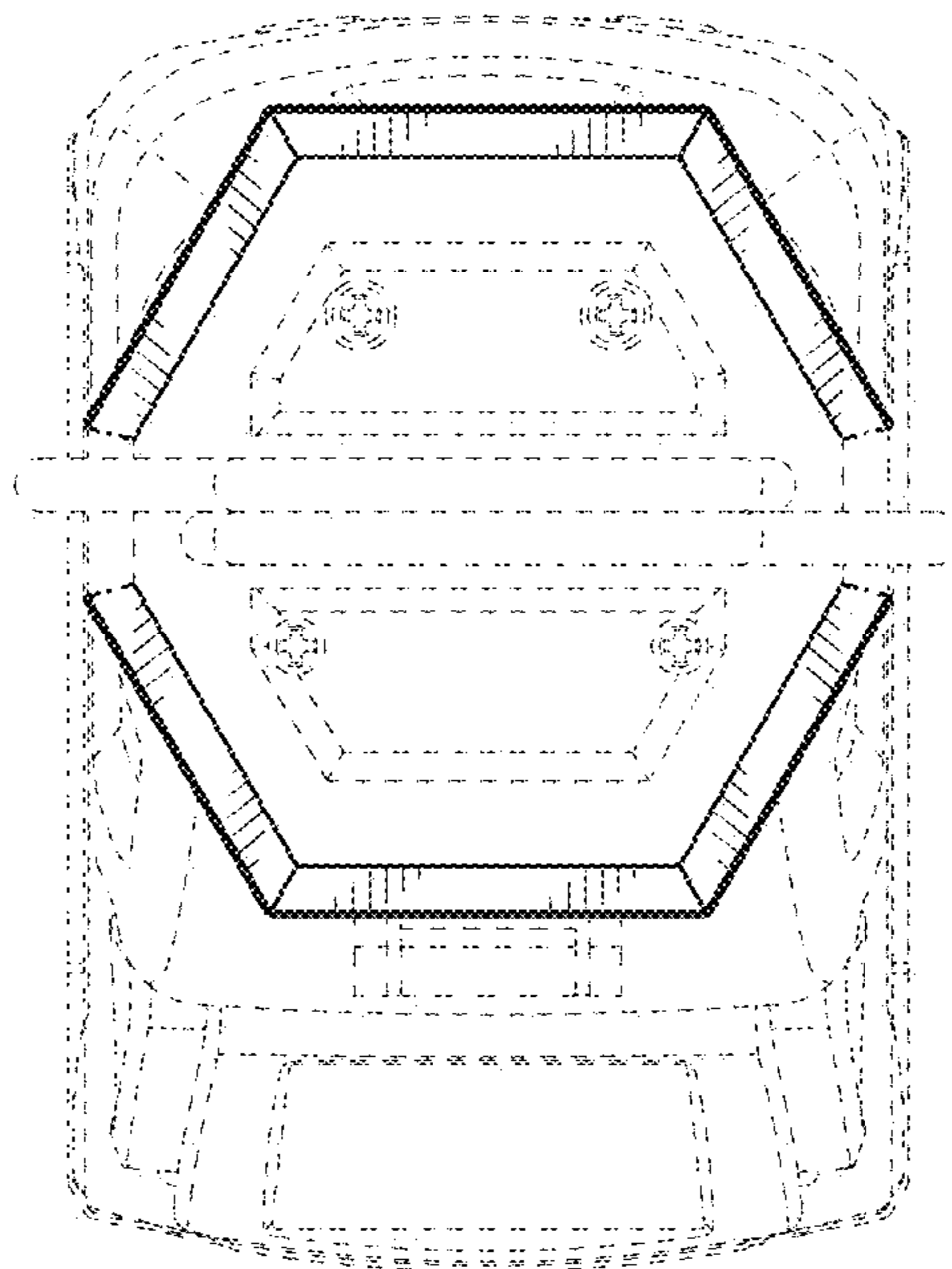
**FIG. 3**



**FIG. 4**



**FIG. 5**



**FIG. 6**