



US00D931512S

(12) **United States Design Patent** (10) **Patent No.:** **US D931,512 S**  
**Dorman** (45) **Date of Patent:** **\*\* Sep. 21, 2021**

(54) **LANTERN**  
(71) Applicant: **MILWAUKEE ELECTRIC TOOL CORPORATION**, Brookfield, WI (US)  
(72) Inventor: **Justin D. Dorman**, Wauwatosa, WI (US)  
(73) Assignee: **MILWAUKEE ELECTRIC TOOL CORPORATION**, Brookfield, WI (US)

D367,123 S 2/1996 Blye  
5,688,042 A 11/1997 Madali et al.  
D389,931 S \* 1/1998 Kovacik ..... D26/37  
D407,171 S 3/1999 Yuen  
D409,776 S \* 5/1999 Ghode ..... D26/42  
D439,354 S 3/2001 Yuen  
D439,689 S 3/2001 Yuen  
D441,888 S 5/2001 Haneda et al.  
D492,806 S 7/2004 Hsu et al.  
6,877,876 B1 4/2005 Steinhilber  
D515,721 S 2/2006 Lin  
D523,577 S 6/2006 Bayat et al.

(\*\*) Term: **15 Years**

(Continued)

(21) Appl. No.: **29/723,342**

**OTHER PUBLICATIONS**

(22) Filed: **Feb. 6, 2020**

Fox Fury Lighting Solutions, "Nomad 360 Portable Scene Light" <[http://www.foxfury.com/catalog/product\\_info.php?products\\_id=194](http://www.foxfury.com/catalog/product_info.php?products_id=194)> webpage available as early as Jul. 28, 2012.

**Related U.S. Application Data**

(60) Division of application No. 29/679,424, filed on Feb. 6, 2019, now Pat. No. Des. 899,644, which is a continuation of application No. 29/536,723, filed on Aug. 19, 2015, now Pat. No. Des. 844,870, which is a division of application No. 29/483,235, filed on Feb. 26, 2014, now Pat. No. Des. 742,052.

*Primary Examiner* — Wendy L Arminio  
(74) *Attorney, Agent, or Firm* — Michael Best & Friedrich LLP

(51) **LOC (13) Cl.** ..... **26-02**

(57) **CLAIM**

(52) **U.S. Cl.**

I claim the ornamental design for a lantern, as shown and described.

USPC ..... **D26/40**

**DESCRIPTION**

(58) **Field of Classification Search**

USPC ..... D26/37–51  
CPC ..... F21L 2003/00; F21L 4/005; F21L 4/025; F21L 4/027; F21L 4/04; F21L 4/08; F21L 13/00; F21L 13/08; F21L 14/02; F21L 19/00; F21L 2/00; F21L 4/00–4/085; F21L 15/00–15/14; F21L 2001/00; F21L 2005/00; F21L 25/00

FIG. 1 is a front perspective view of a lantern in accordance with the present invention.  
FIG. 2 is a left side view of the lantern of FIG. 1.  
FIG. 3 is a right side view of the lantern of FIG. 1.  
FIG. 4 is a front view of the lantern of FIG. 1.  
FIG. 5 is a rear view of the lantern of FIG. 1; and, FIG. 6 is a top view of the lantern of FIG. 1.

See application file for complete search history.

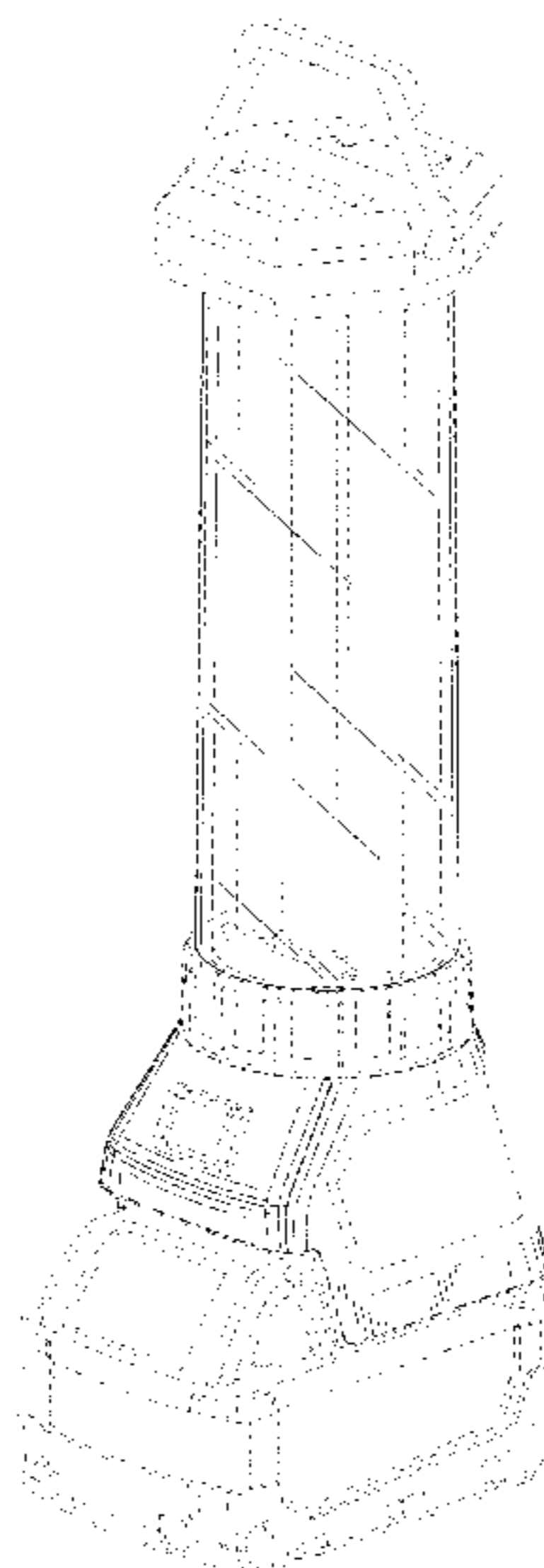
The portions of the lantern shown in broken lines having unequal length segments illustrate the boundaries of the claim and form no part of the claimed design. The remainder of the broken lines show portions of the lantern which form no part of the claimed design.

(56) **References Cited**

**U.S. PATENT DOCUMENTS**

4,483,683 A 11/1984 Alley, Sr.  
D334,437 S \* 3/1993 Poon ..... D26/42

**1 Claim, 4 Drawing Sheets**



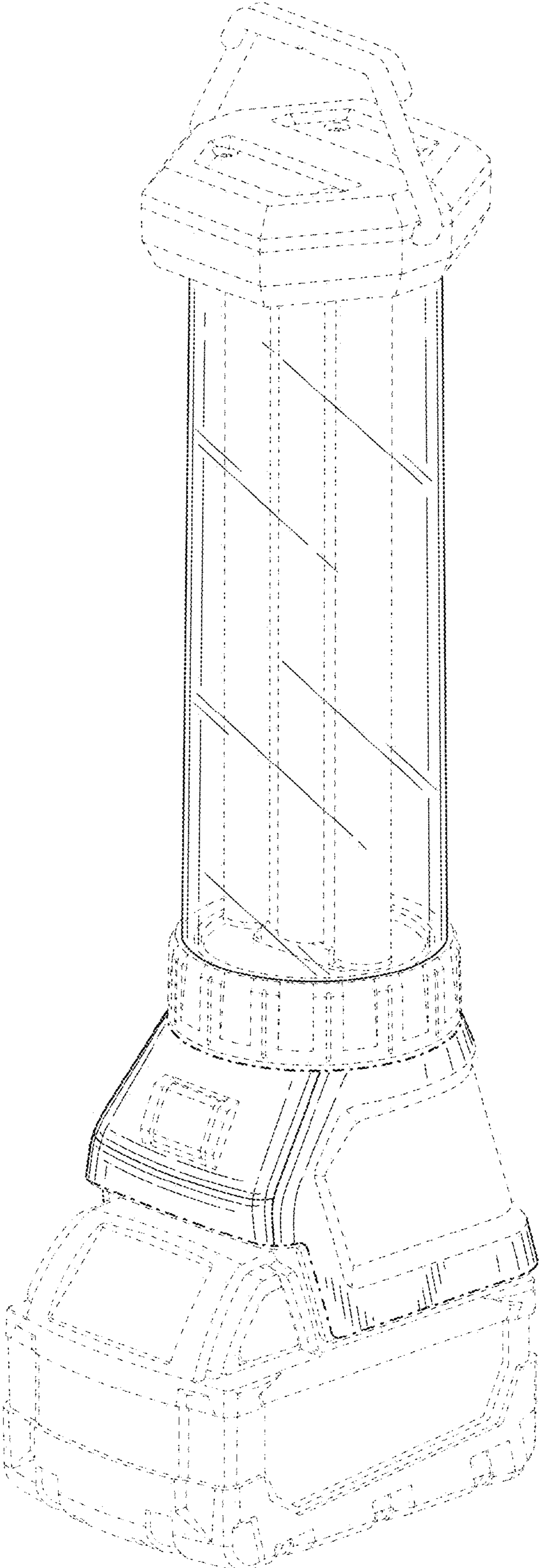
(56)

References Cited

U.S. PATENT DOCUMENTS

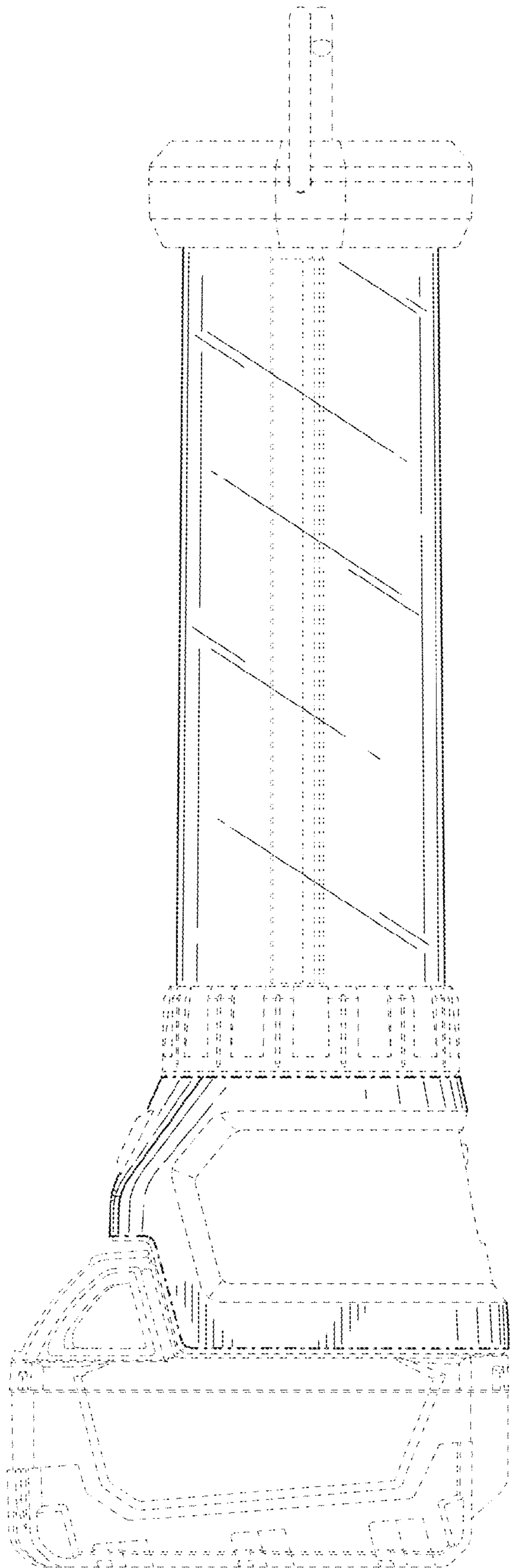
|              |         |                  |        |                 |         |                  |        |
|--------------|---------|------------------|--------|-----------------|---------|------------------|--------|
| D526,077 S   | 8/2006  | Leen             |        | 8,511,847 B2    | 8/2013  | Sharrah et al.   |        |
| D530,843 S * | 10/2006 | Yamamoto .....   | D26/42 | D694,445 S      | 11/2013 | Shiu             |        |
| D535,419 S   | 1/2007  | Shiu             |        | D698,959 S      | 2/2014  | Shen             |        |
| D537,968 S   | 3/2007  | Shui             |        | 8,641,241 B2    | 2/2014  | Farmer           |        |
| D538,457 S   | 3/2007  | Kovacik et al.   |        | 8,674,266 B2    | 3/2014  | Fis-Menache      |        |
| D546,488 S   | 7/2007  | Poon             |        | D701,986 S      | 4/2014  | Goeckel          |        |
| 7,311,423 B2 | 12/2007 | Frecka et al.    |        | D707,378 S      | 6/2014  | Shiu             |        |
| D559,418 S   | 1/2008  | Poon             |        | D708,376 S      | 7/2014  | Crowe et al.     |        |
| D581,076 S * | 11/2008 | Brown .....      | D26/40 | 8,791,640 B2    | 7/2014  | Steele et al.    |        |
| D610,283 S   | 2/2010  | Loibl            |        | D711,573 S      | 8/2014  | Payne            |        |
| 7,699,491 B2 | 4/2010  | Sharrah et al.   |        | D725,300 S      | 3/2015  | Dalton           |        |
| 7,717,586 B2 | 5/2010  | Tucker           |        | D726,354 S      | 4/2015  | Davies           |        |
| D618,831 S * | 6/2010  | Pennington ..... | D26/26 | D737,488 S      | 8/2015  | Chen             |        |
| D620,627 S   | 7/2010  | Kovacik et al.   |        | D739,063 S *    | 9/2015  | Su .....         | D26/42 |
| D621,536 S   | 8/2010  | Lee              |        | D742,052 S      | 10/2015 | Dorman           |        |
| D622,430 S   | 8/2010  | Chilton          |        | D742,569 S *    | 11/2015 | Dorman .....     | D26/45 |
| 7,891,841 B2 | 2/2011  | Levine           |        | D748,836 S      | 2/2016  | Zhang            |        |
| 7,967,466 B2 | 6/2011  | Chu              |        | D750,825 S *    | 3/2016  | Bryant .....     | D26/42 |
| D643,560 S   | 8/2011  | Tompkin          |        | D773,704 S *    | 12/2016 | Pardo .....      | D26/41 |
| 8,029,159 B2 | 10/2011 | Chen             |        | D794,235 S *    | 8/2017  | Green .....      | D26/40 |
| D648,466 S   | 11/2011 | Hickman          |        | D809,169 S *    | 1/2018  | Grandadam .....  | D26/38 |
| 8,075,163 B2 | 12/2011 | Xiao et al.      |        | D809,690 S *    | 2/2018  | Marshall .....   | D26/41 |
| 8,096,684 B2 | 1/2012  | Salm et al.      |        | D810,335 S *    | 2/2018  | Levy .....       | D26/37 |
| D655,431 S   | 3/2012  | Leen             |        | D841,849 S      | 2/2019  | Ladnier et al.   |        |
| D658,324 S   | 4/2012  | Reinmann et al.  |        | D844,870 S      | 4/2019  | Dorman           |        |
| D661,417 S   | 6/2012  | Kung             |        | D844,871 S *    | 4/2019  | Plott .....      | D26/40 |
| 8,201,974 B1 | 6/2012  | Smith et al.     |        | D857,959 S *    | 8/2019  | Yu .....         | D26/41 |
| 8,337,059 B2 | 12/2012 | Barnett et al.   |        | D861,941 S *    | 10/2019 | Hammer .....     | D26/40 |
| 8,485,683 B2 | 7/2013  | Popper et al.    |        | D894,455 S *    | 8/2020  | Kunzendorf ..... | D26/41 |
|              |         |                  |        | 2012/0057333 A1 | 3/2012  | Bhardwaj et al.  |        |
|              |         |                  |        | 2012/0079755 A1 | 4/2012  | Torres et al.    |        |
|              |         |                  |        | 2014/0204218 A1 | 7/2014  | Gebhard et al.   |        |

\* cited by examiner

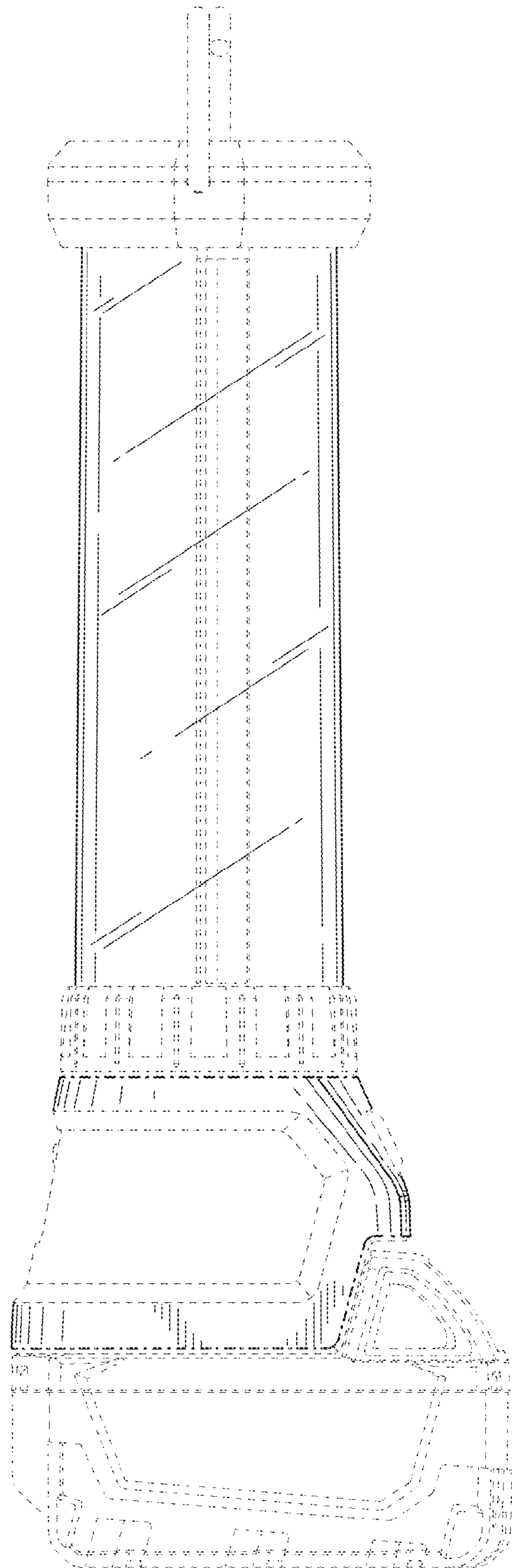


**FIG. 1**

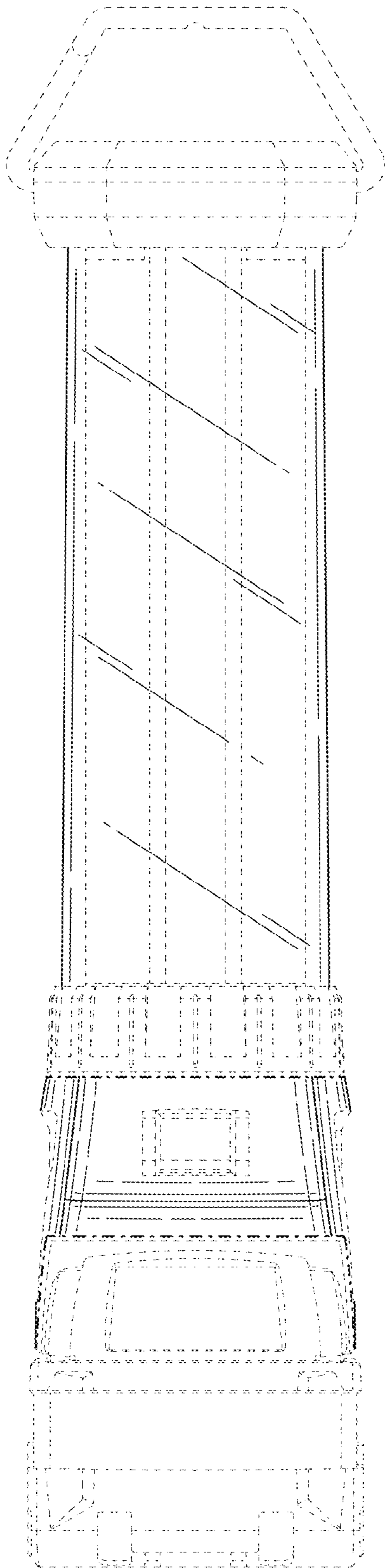




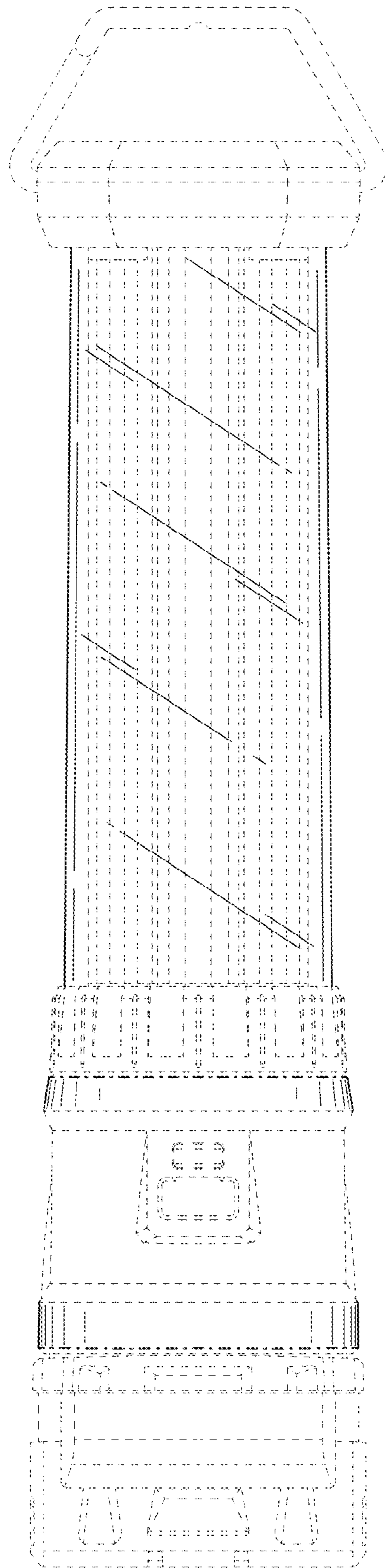
**FIG. 2**



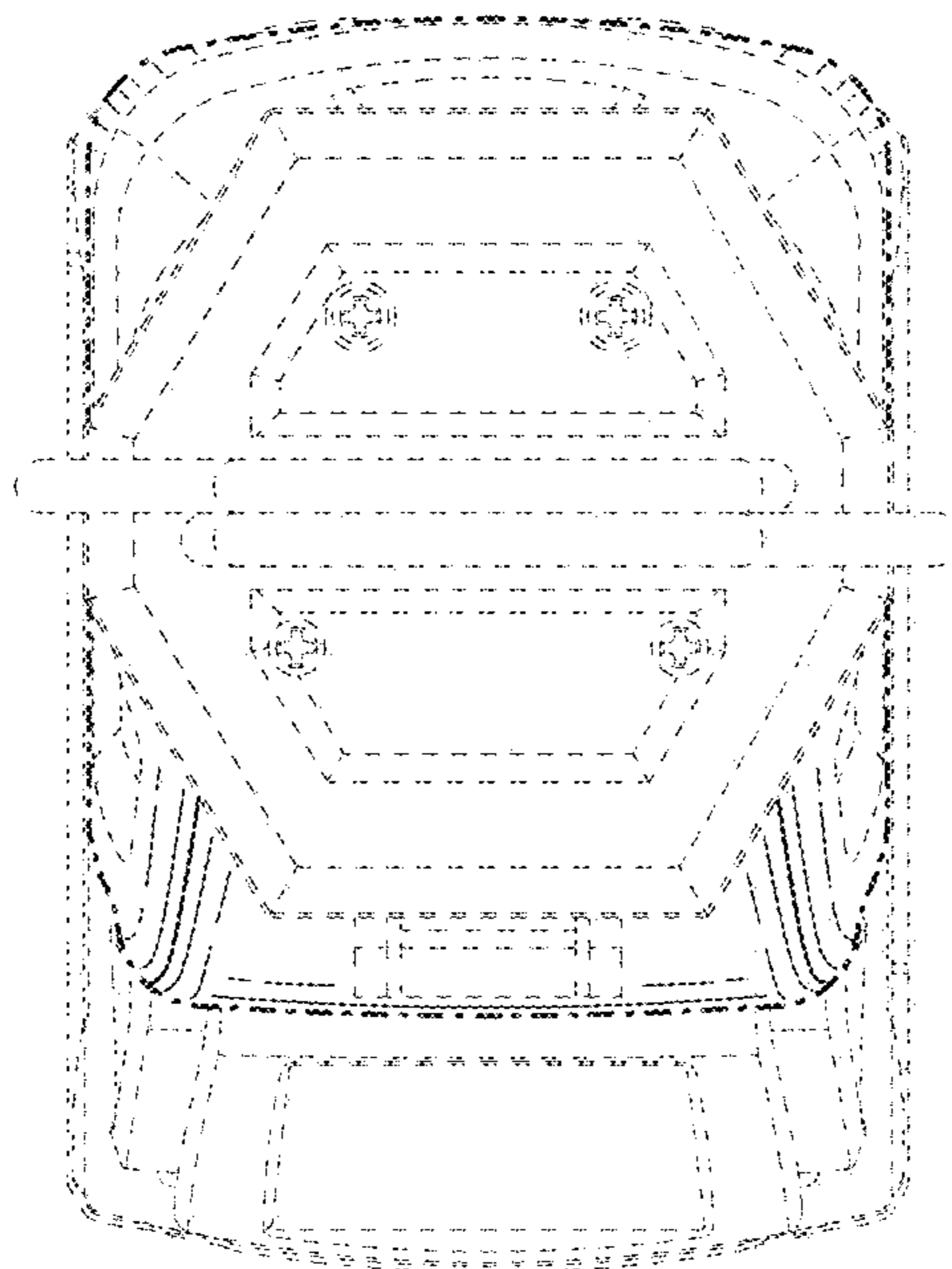
**FIG. 3**



**FIG. 4**



**FIG. 5**



**FIG. 6**