



US00D931511S

(12) **United States Design Patent** (10) **Patent No.:** **US D931,511 S**
Yan (45) **Date of Patent:** **** Sep. 21, 2021**

(54) **CLIP LIGHT**
(71) Applicant: **Xiangshan Yan**, Shenzhen (CN)
(72) Inventor: **Xiangshan Yan**, Shenzhen (CN)
(**) Term: **15 Years**
(21) Appl. No.: **29/711,997**
(22) Filed: **Nov. 5, 2019**
(51) **LOC (13) Cl.** **26-03**
(52) **U.S. Cl.**
USPC **D26/40**
CPC **F21L 4/00** (2013.01)
(58) **Field of Classification Search**
USPC D26/37-51
CPC F21L 2003/00; F21L 4/005; F21L 4/025;
F21L 4/027; F21L 4/04; F21L 4/08; F21L
13/00; F21L 13/08; F21L 14/02; F21L
19/00; F21L 2/00; F21L 4/00-4/085;
F21L 15/00-15/14; F21L 2001/00; F21L
2005/00; F21L 25/00
See application file for complete search history.

(56) **References Cited**

U.S. PATENT DOCUMENTS

D541,961 S * 5/2007 Tarter D26/40
D627,090 S * 11/2010 Sanoner D26/40

D706,968 S * 6/2014 McDonough D26/41
D735,661 S * 8/2015 Miller H02J 7/342
D13/108
D844,202 S * 3/2019 Bennett D26/41
D848,043 S * 5/2019 Zhuo D26/41
D868,735 S * 12/2019 Aicheng D14/207
D886,344 S * 6/2020 Ho D26/41
D888,306 S * 6/2020 Ho D26/41

* cited by examiner

Primary Examiner — Richard E Chilcot

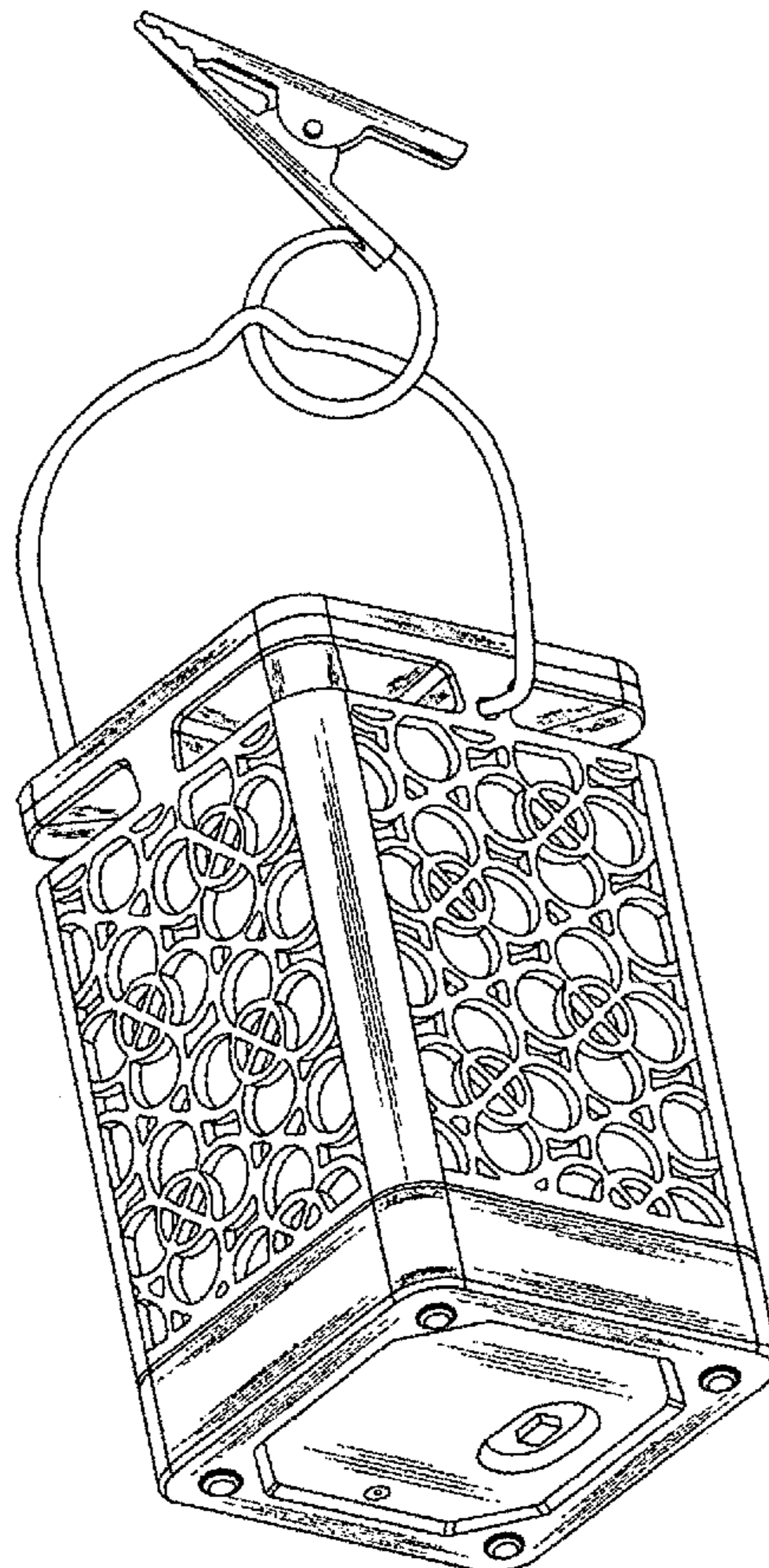
(57) **CLAIM**

The ornamental design for a clip light, as shown and described.

DESCRIPTION

FIG. 1 is a perspective view of a clip light showing my new design;
FIG. 2 is a front elevation view thereof;
FIG. 3 is a rear elevation view thereof;
FIG. 4 is a left side elevation view thereof;
FIG. 5 is a right side elevation view thereof;
FIG. 6 is a top plan view thereof; and,
FIG. 7 is a bottom plan view thereof.
The broken lines show portions of the article which form no part of the claimed design.

1 Claim, 7 Drawing Sheets



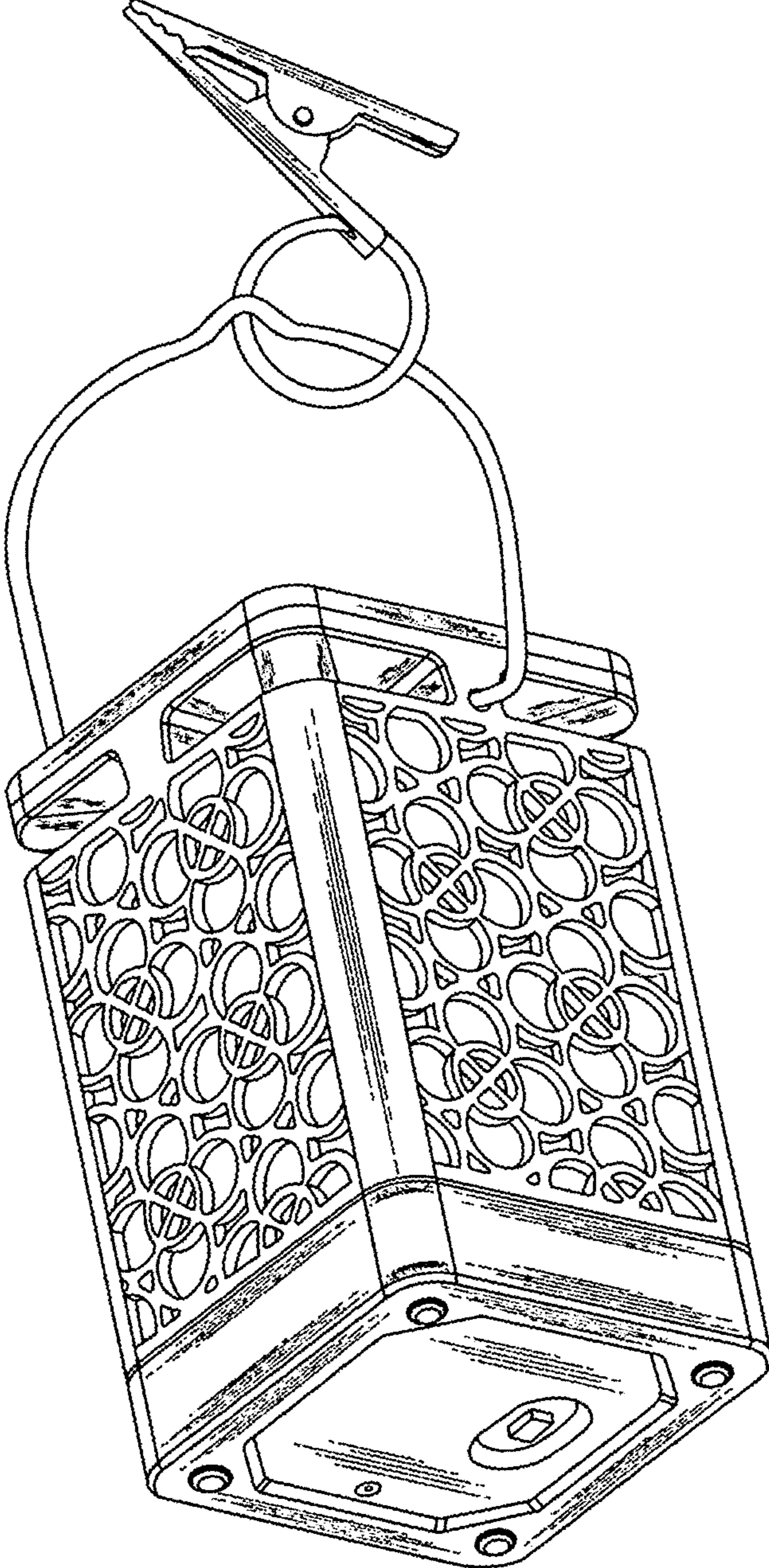


FIG.1

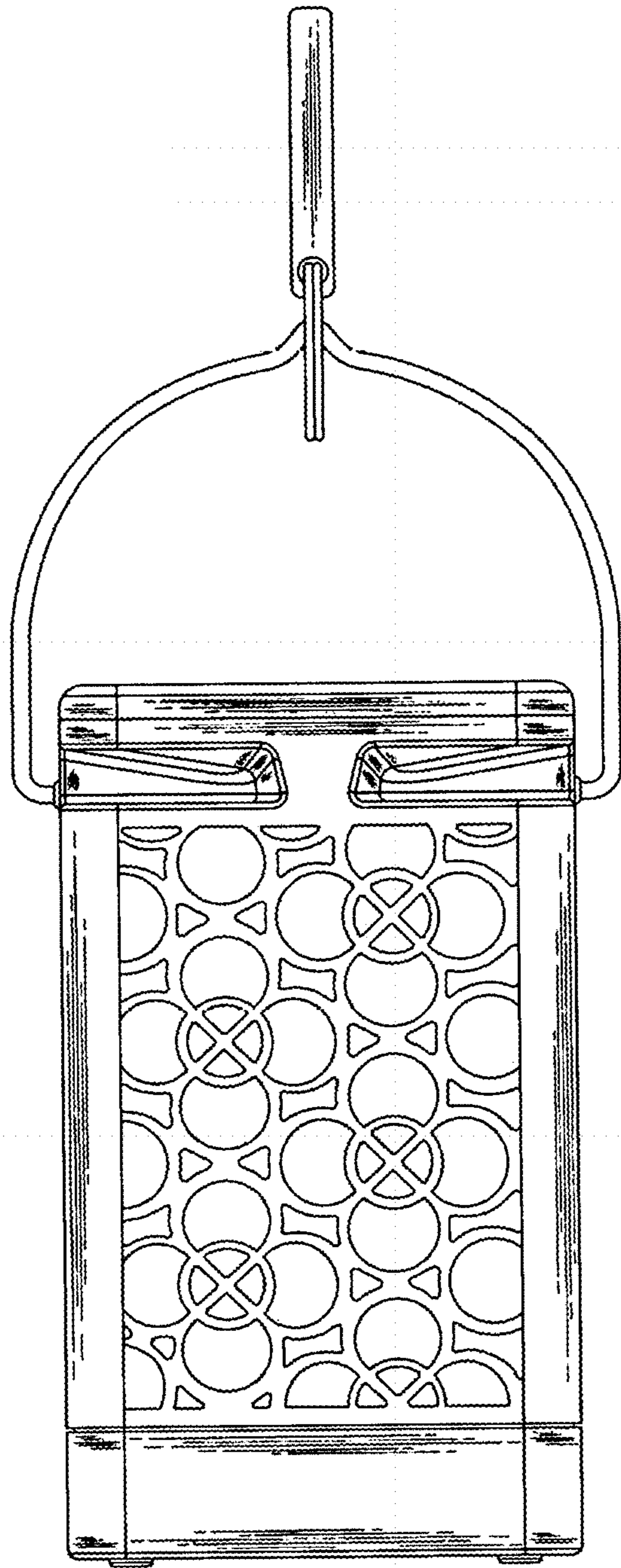


FIG. 2

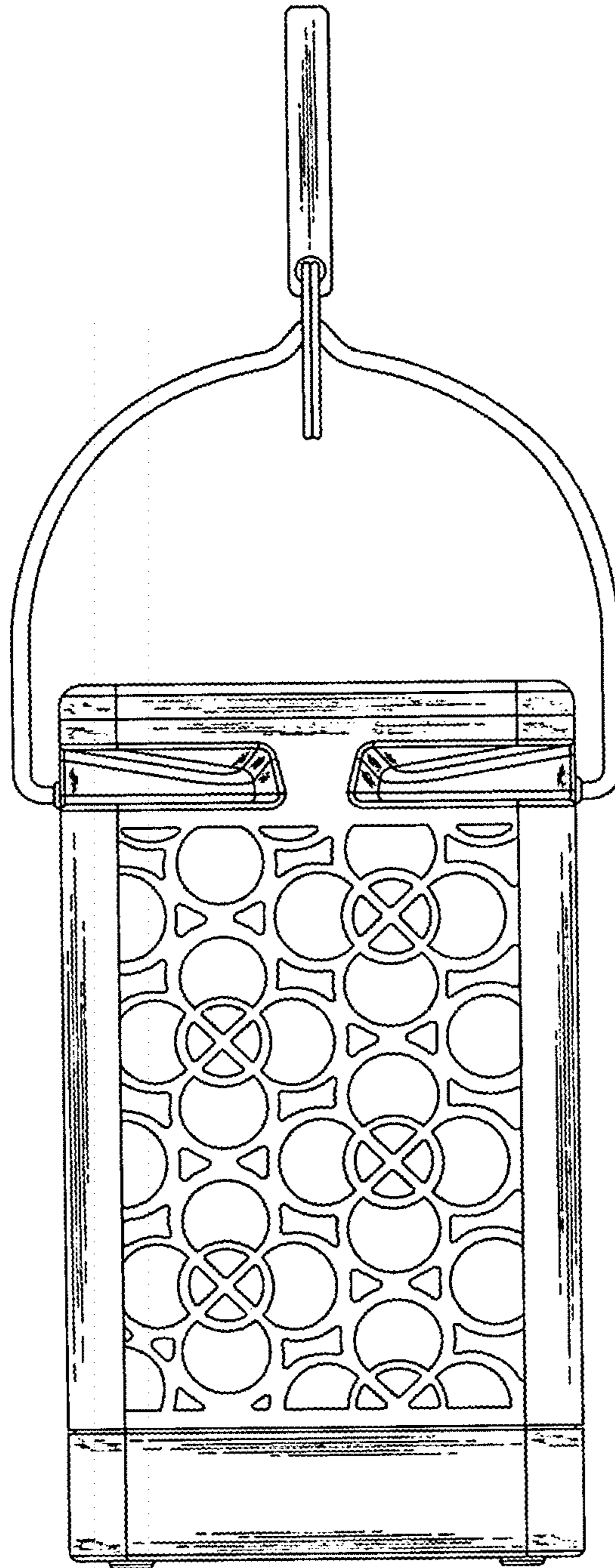


FIG.3

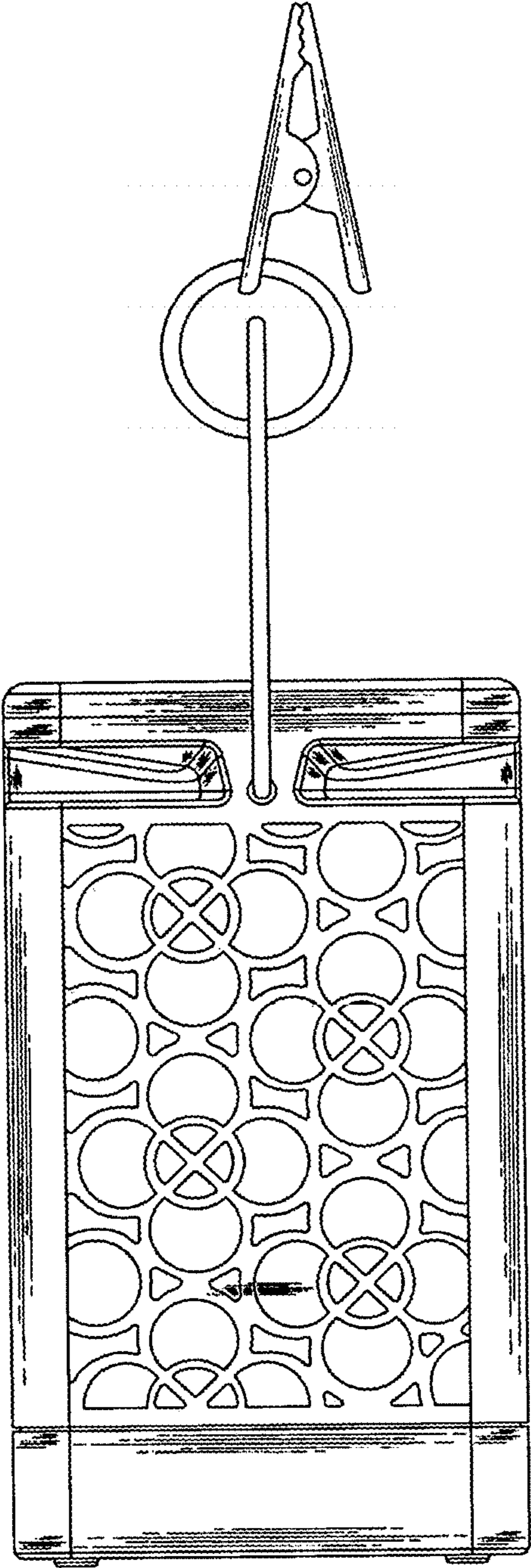


FIG.4

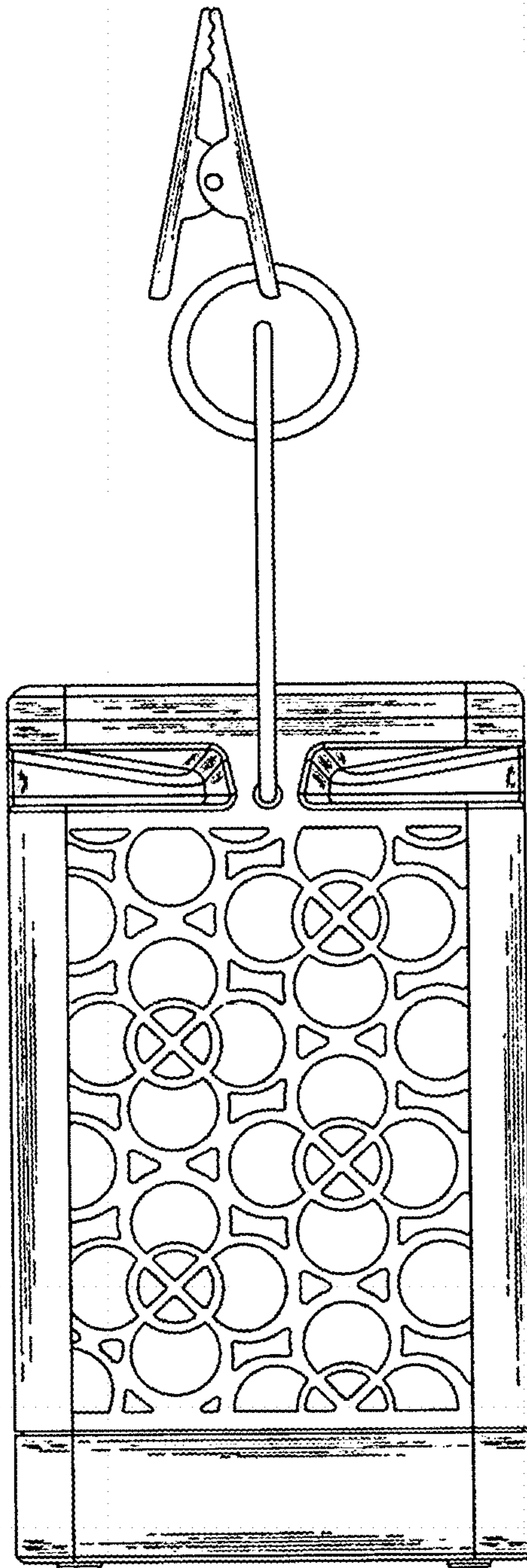


FIG.5

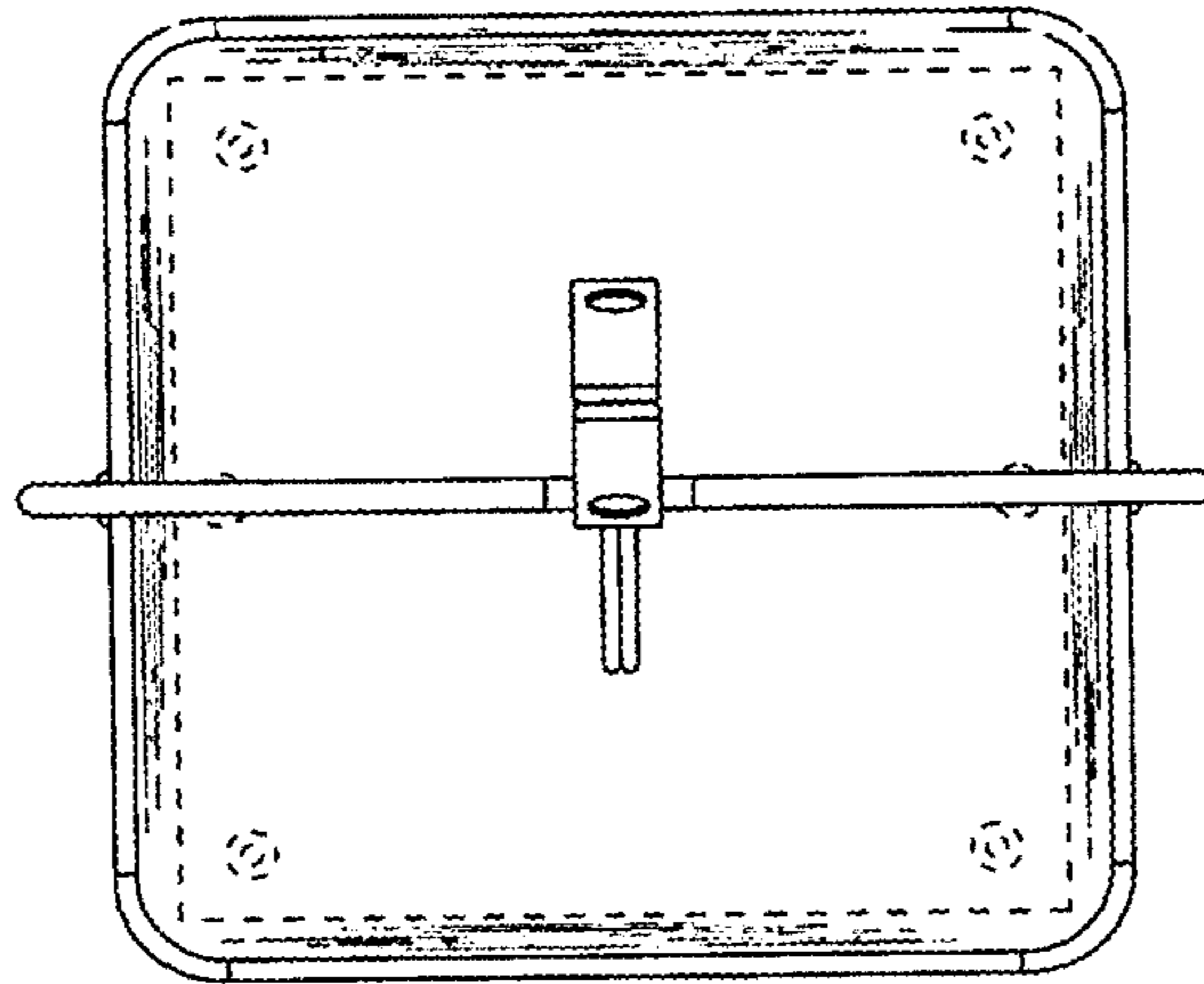


FIG.6

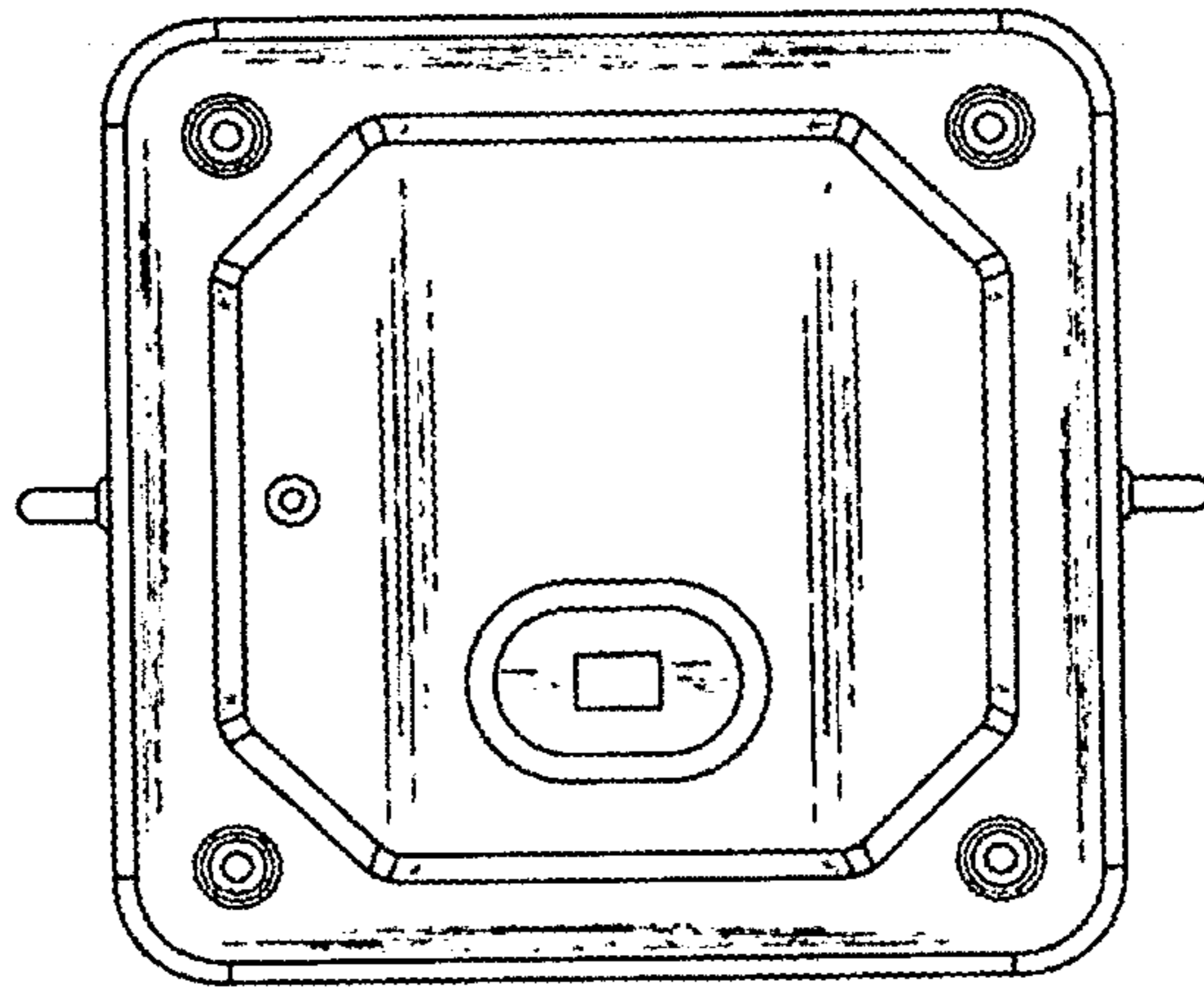


FIG. 7