



US00D931510S

(12) **United States Design Patent** (10) **Patent No.:** **US D931,510 S**
Lu (45) **Date of Patent:** **** Sep. 21, 2021**

(54) **NECK BOOK LIGHT**

(56) **References Cited**

(71) Applicant: **DONGGUAN TSINGREE SMART TECHNOLOGY CO., LTD**, Dongguan (CN)

U.S. PATENT DOCUMENTS

(72) Inventor: **Chenjie Lu**, Dongguan (CN)

D529,214 S *	9/2006	Sherring	D26/39
D571,942 S *	6/2008	Christianson	D26/39
D583,971 S *	12/2008	Castellucci	D26/39
D623,783 S *	9/2010	Christianson	D26/39
D752,791 S *	3/2016	Ferguson	D26/39
D757,317 S *	5/2016	Henry	D26/39
D871,636 S *	12/2019	Cacciabeve	D26/39
2020/0109841 A1	4/2020	Cacciabeve		

(73) Assignee: **DONGGUAN TSINGREE SMART TECHNOLOGY CO., LTD**, Dongguan (CN)

* cited by examiner

(**) Term: **15 Years**

Primary Examiner — Marcus A Jackson

(21) Appl. No.: **29/762,060**

(57) **CLAIM**

The ornamental design for a neck book light, as shown and described.

(22) Filed: **Dec. 15, 2020**

(51) **LOC (13) Cl.** **26-02**

DESCRIPTION

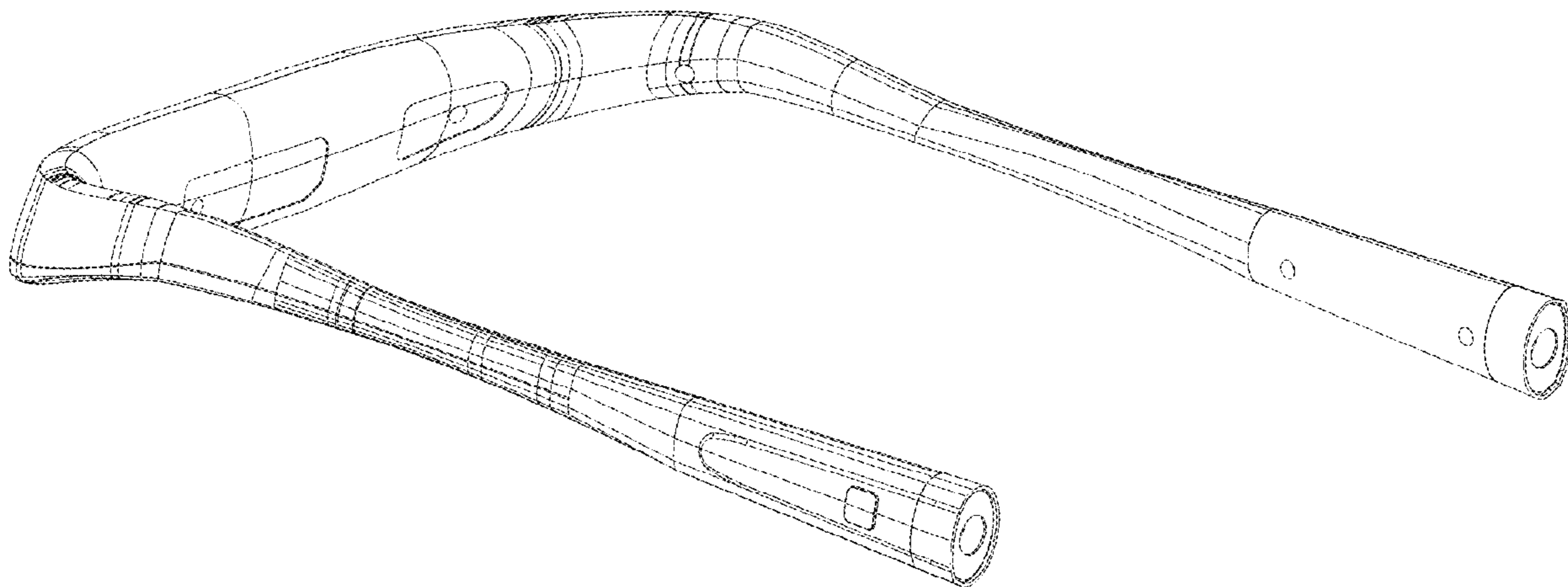
(52) **U.S. Cl.**
USPC **D26/39**

(58) **Field of Classification Search**
USPC D26/37-51
CPC F21L 4/00; F21L 4/02; F21L 4/04; F21L 4/08; F21L 4/025; F21L 4/027; F21L 7/00; F21L 11/00; F21L 13/00; F21L 13/04; F21L 13/08; F21L 14/02; F21L 17/00; F21L 19/00; F21L 25/00

FIG. 1 is a perspective view of a neck book light, showing my new design;
FIG. 2 is a front elevational view thereof;
FIG. 3 is a rear elevational view thereof;
FIG. 4 is a left side elevational view thereof;
FIG. 5 is a right side elevational view thereof;
FIG. 6 is a top plan view thereof; and,
FIG. 7 is a bottom plan view thereof.

See application file for complete search history.

1 Claim, 7 Drawing Sheets



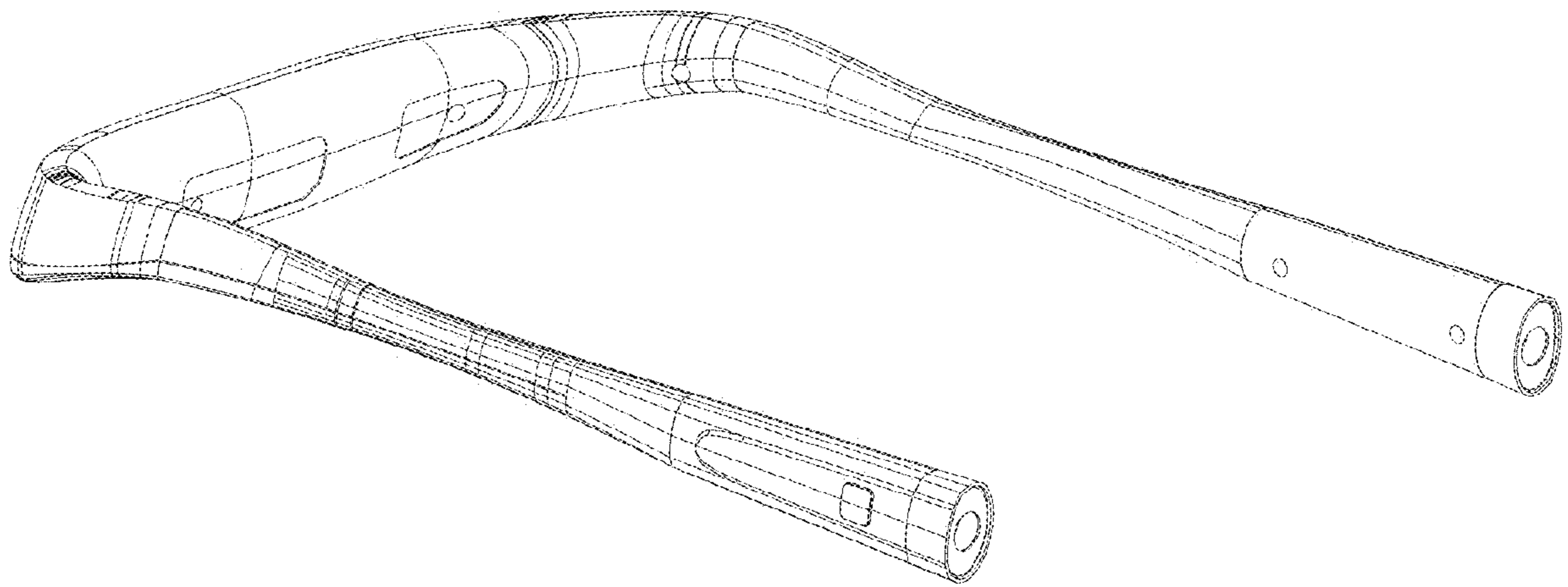


FIG. 1

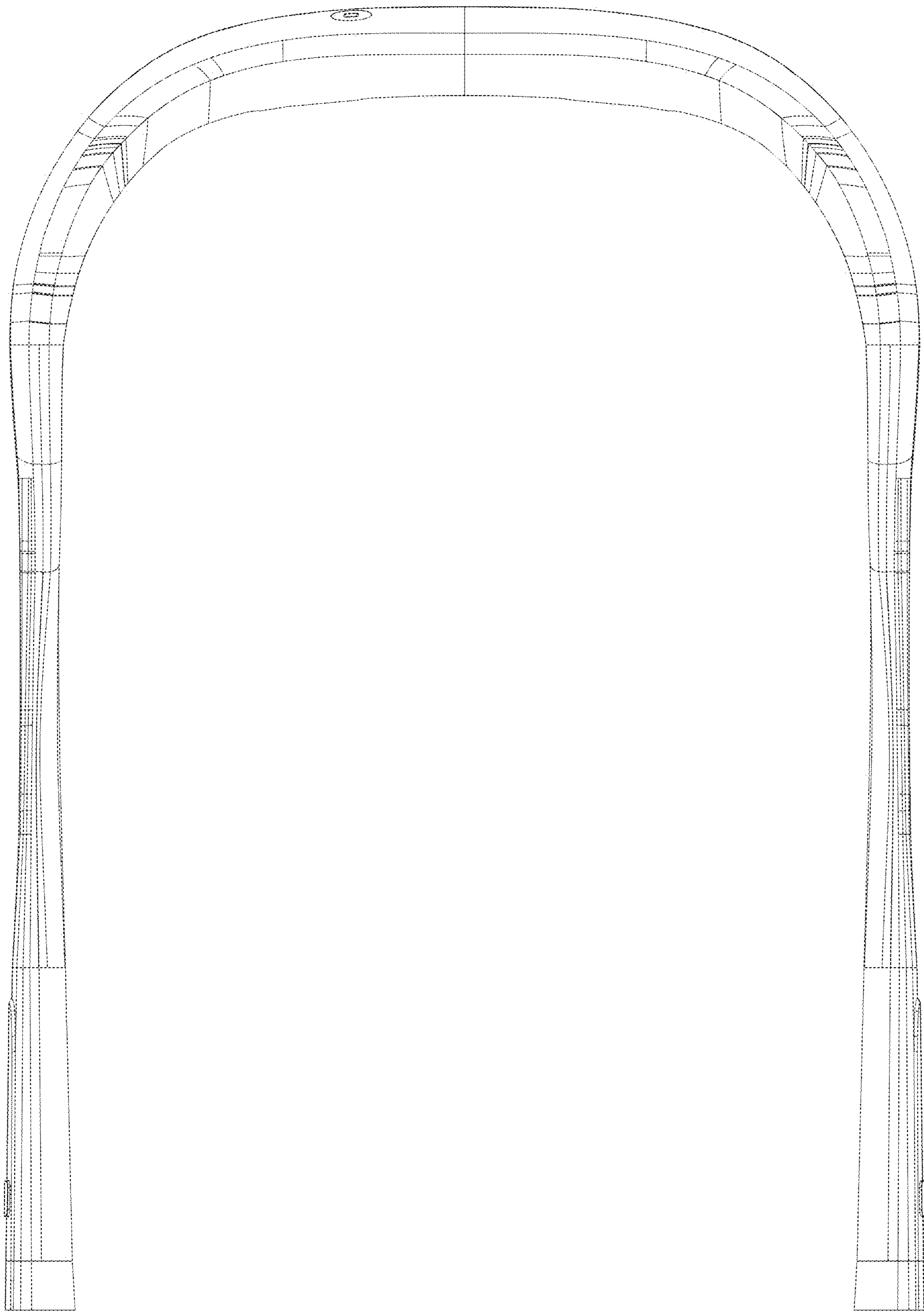


FIG. 2

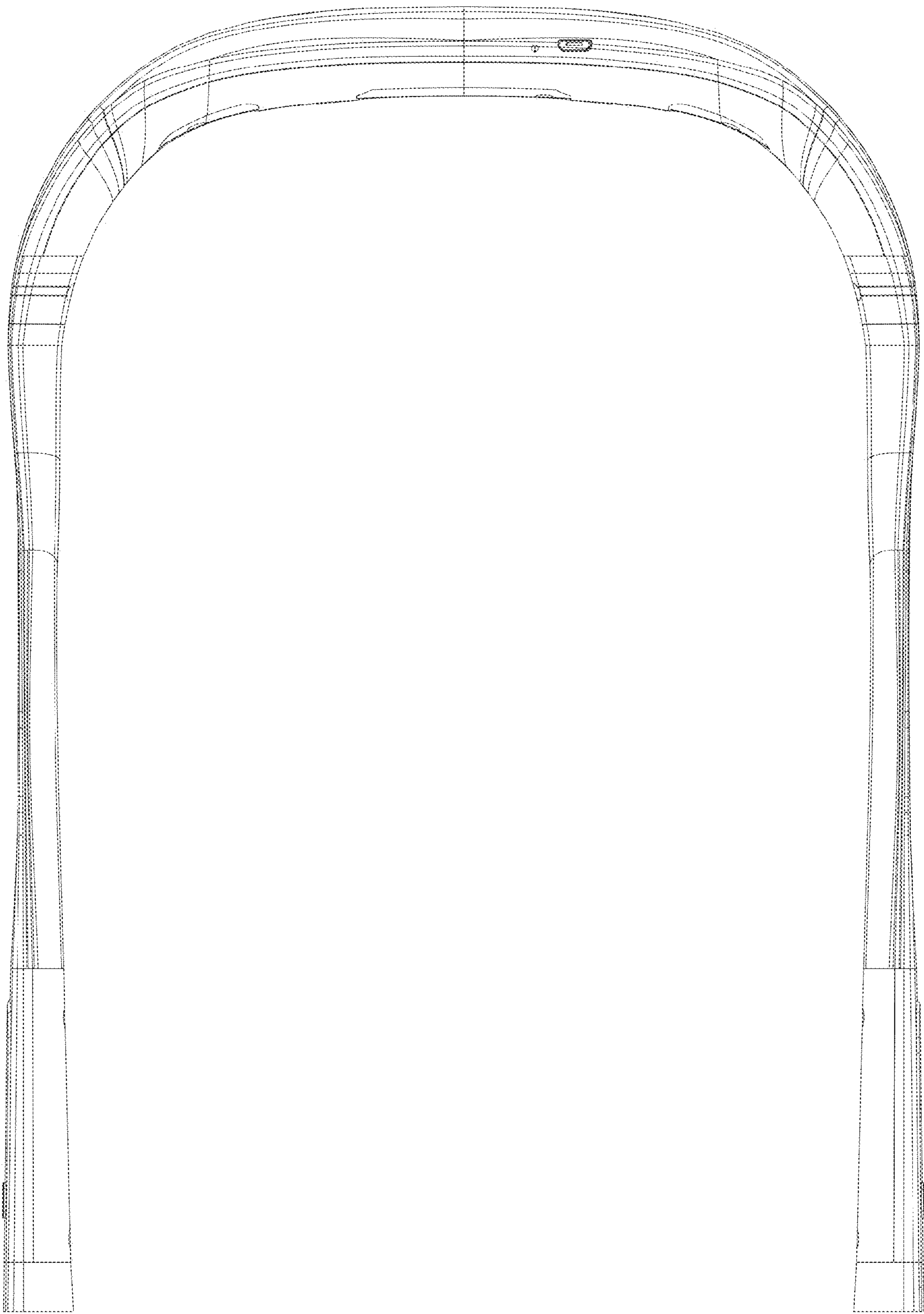


FIG. 3

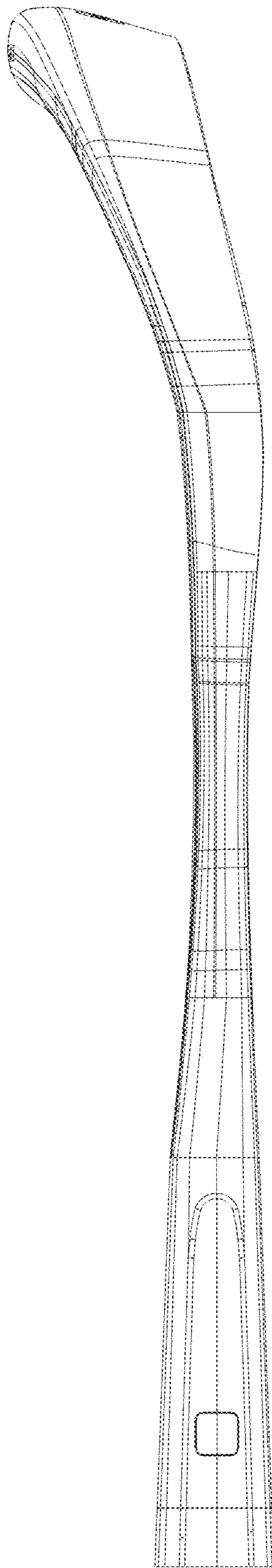


FIG. 4

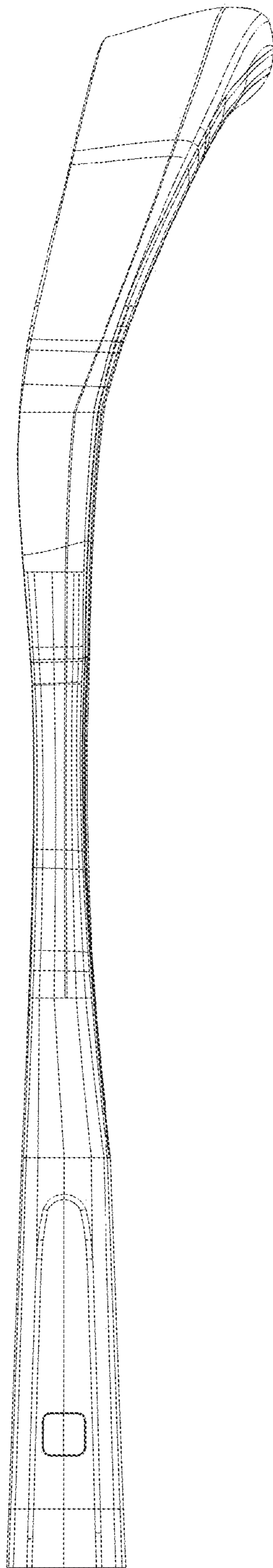


FIG. 5

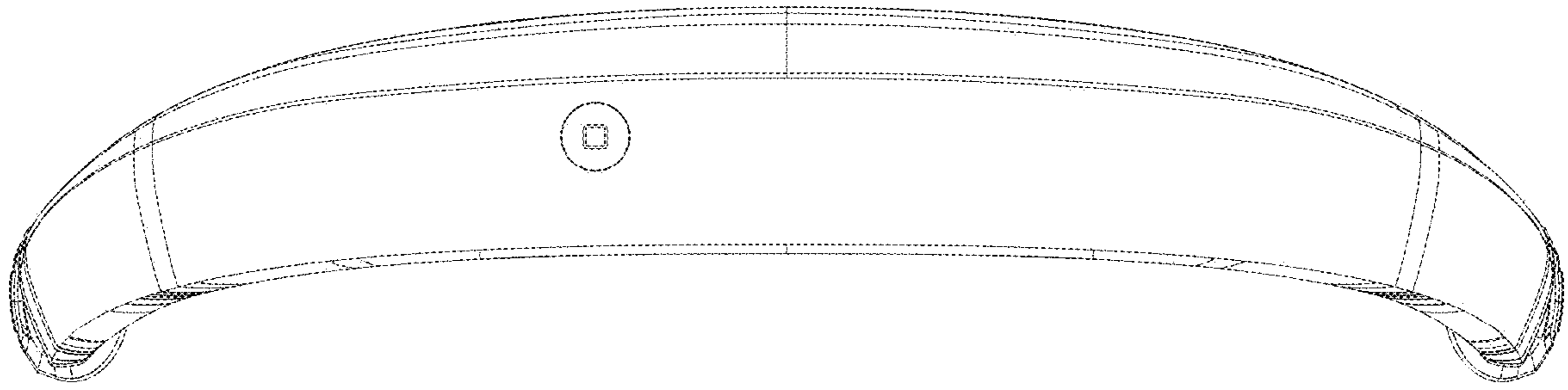


FIG. 6

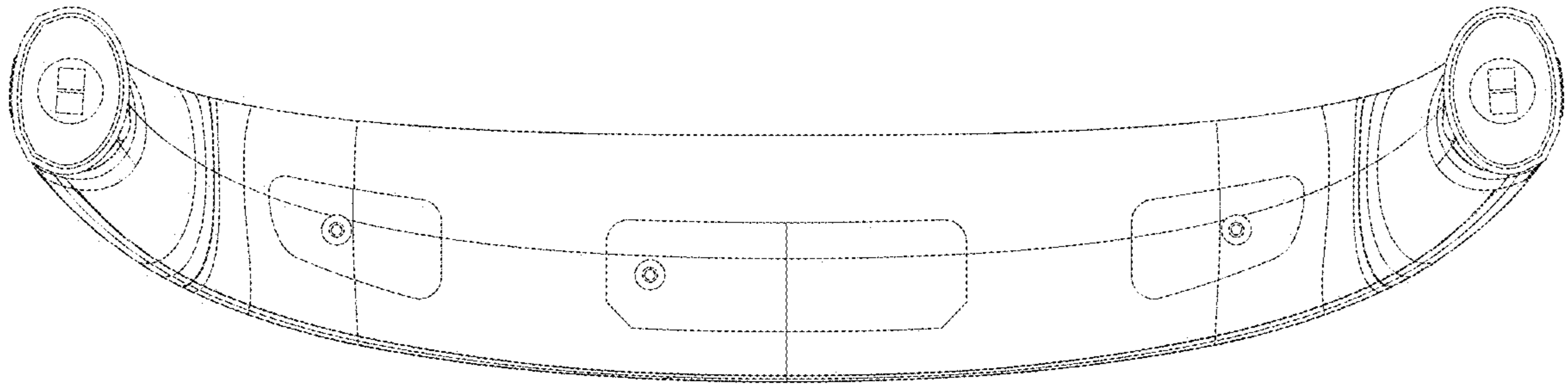


FIG. 7