



US00D931508S

(12) **United States Design Patent**
Starr

(10) **Patent No.:** **US D931,508 S**
(45) **Date of Patent:** **** Sep. 21, 2021**

(54) **HANDHELD LIGHT**

- (71) Applicant: **Cory Starr**, Placerville, CA (US)
- (72) Inventor: **Cory Starr**, Placerville, CA (US)
- (**) Term: **15 Years**
- (21) Appl. No.: **29/708,119**
- (22) Filed: **Oct. 3, 2019**
- (51) **LOC (13) Cl.** **26-02**
- (52) **U.S. Cl.**
USPC **D26/37**
- (58) **Field of Classification Search**
USPC D26/37-44, 46-52; D10/111-115
(Continued)

(56) **References Cited**

U.S. PATENT DOCUMENTS

- D473,961 S * 4/2003 Galli D26/49
 - D501,054 S * 1/2005 Galli D26/37
- (Continued)

FOREIGN PATENT DOCUMENTS

- CN 304579646 * 4/2018
 - CN 304759026 * 8/2018
- (Continued)

OTHER PUBLICATIONS

“TrustFire Cree Z5,” Nov. 29, 2011, amazon.com, site visited Jun. 25, 2021, URL: <https://www.amazon.com/gp/product/B006FSYAFC?tag=lpastore-20> (Year: 2011).*

(Continued)

Primary Examiner — Eric L Goodman
Assistant Examiner — Sarah L Smith
 (74) *Attorney, Agent, or Firm* — F. Wayne Thompson, Jr.;
 Asgaard Patent Services, LLC

(57) **CLAIM**

The ornamental design for a handheld light, as shown and described.

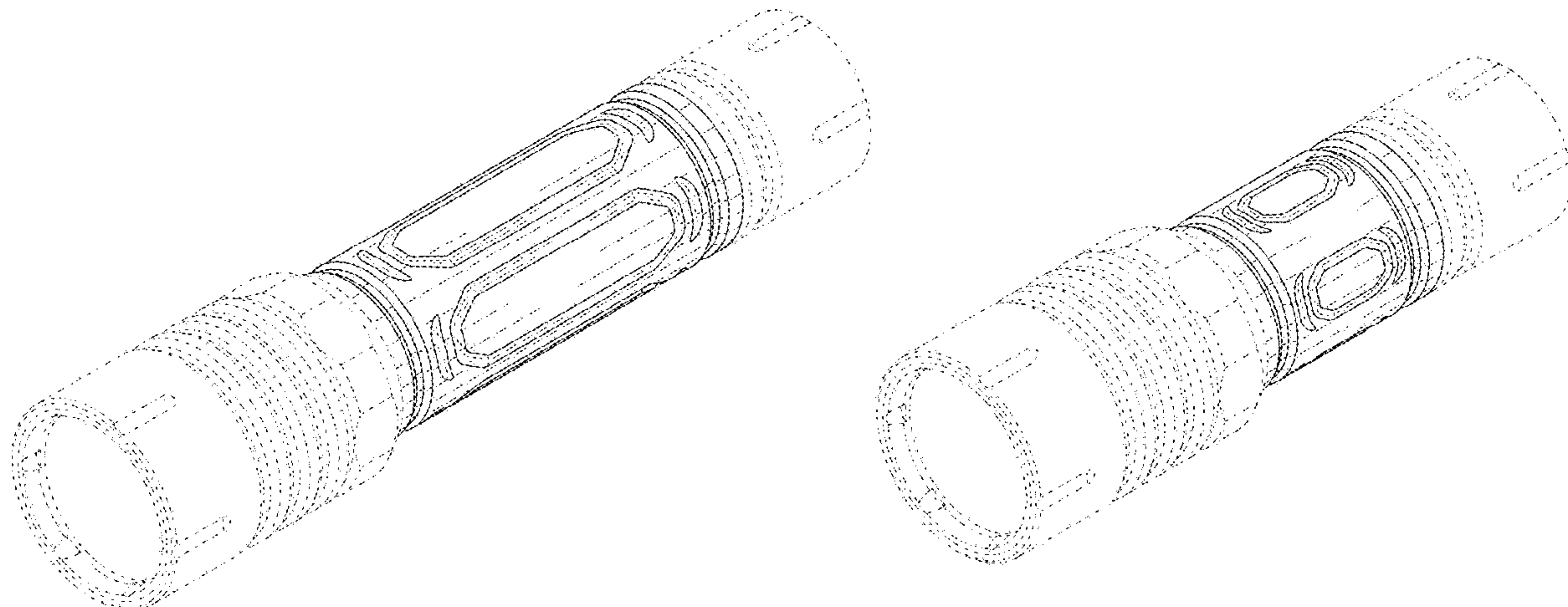
DESCRIPTION

FIG. 1 is a top, front, right side isometric view of a first embodiment of a handheld light, wherein the head assembly and the tail cap assembly have been reduced to broken lines; FIG. 2 is a bottom, rear, left side isometric view of the handheld light shown in FIG. 1; FIG. 3 is a front view of the handheld light shown in FIG. 1; FIG. 4 is a right side view of the handheld light shown in FIG. 1; FIG. 5 is a rear view of the handheld light shown in FIG. 1; FIG. 6 is a left side view of the handheld light shown in FIG. 1; FIG. 7 is a top view of the handheld light shown in FIG. 1; and FIG. 8 is a bottom view of the handheld light shown in FIG. 1.

FIG. 9 is a top, front, right side isometric view of a second embodiment of a handheld light, wherein the head assembly and the tail cap assembly have been reduced to broken lines; FIG. 10 is a bottom, rear, left side isometric view of the handheld light shown in FIG. 9; FIG. 11 is a front view of the handheld light shown in FIG. 9; FIG. 12 is a right side view of the handheld light shown in FIG. 9; FIG. 13 is a rear view of the handheld light shown in FIG. 9; FIG. 14 is a left side view of the handheld light shown in FIG. 9; FIG. 15 is a top view of the handheld light shown in FIG. 9; and, FIG. 16 is a bottom view of the handheld light shown in FIG. 9.

The broken lines shown in the drawings represent portions of the handheld light that form no part of the claimed design.

1 Claim, 10 Drawing Sheets



(58) **Field of Classification Search**

CPC ... F21Y 2115/10; F21Y 2113/13; F21L 4/027;
 F21L 4/00; F21L 4/005; F21V 23/0414;
 F41A 21/325; F41G 11/003; F41G 1/35
 See application file for complete search history.

(56) **References Cited**

U.S. PATENT DOCUMENTS

D521,667 S * 5/2006 Chean A01M 1/223
 D26/37
 D532,138 S * 11/2006 Wang F21V 23/0464
 D26/49
 D577,139 S * 9/2008 Brown D13/108
 D577,140 S * 9/2008 Brown D13/108
 D603,989 S * 11/2009 Gardner D26/49
 D603,990 S * 11/2009 Brown D26/49
 7,784,963 B2 * 8/2010 Galli F41G 1/35
 362/184
 D629,542 S * 12/2010 Robinson D26/49
 D659,869 S * 5/2012 Prieto D26/49
 D716,984 S * 11/2014 Inskeep D26/49
 8,973,481 B2 * 3/2015 Dueck F41A 21/325
 89/14.4
 D749,254 S * 2/2016 Robinson D26/37
 D780,356 S * 2/2017 Nguyen D26/49
 D804,696 S * 12/2017 Cheng D26/49
 D878,651 S * 3/2020 Qiu F41A 21/325
 D26/49
 D884,946 S * 5/2020 Muyschondt D26/49
 D896,421 S * 9/2020 Saboo F41C 27/00
 D26/49
 2003/0147239 A1 * 8/2003 Galli F21V 23/0414
 362/205

2011/0261559 A1* 10/2011 Couture H01H 13/64
 362/184
 2012/0033416 A1* 2/2012 Ballard H01M 50/213
 362/202
 2014/0204566 A1* 7/2014 Kay F41C 27/00
 362/110
 2016/0050736 A1* 2/2016 Hoang F21V 23/0464
 315/151
 2020/0390078 A1* 12/2020 Saboo A01M 1/223

FOREIGN PATENT DOCUMENTS

CN 305241482 * 7/2019
 EM 000830559-0001 * 2/2008
 KR 300579679.0001 * 11/2010

OTHER PUBLICATIONS

Dave Rees, "Wicked Lasers S3 Arctic Laser Review," Jan. 9, 2011, the-gadgeteer.com, site visited Jun. 25, 2021, URL: <https://the-gadgeteer.com/2011/01/09/wicked-laser-s3-arctic-laser-review/> (Year: 2011).*

"Klarus XT1A," Sep. 24, 2018, tactbright.com, site visited Jun. 25, 2021, URL: <https://tactbright.com/klarus-xt1a/> (Year: 2018).*

"Fenix PD36R Rechargeable," Aug. 17, 2019 (review), flashlightworld.ca, site visited Jun. 25, 2021, URL: <https://www.flashlightworld.ca/products/fenix-pd36r-rechargeable-1600-lumen-tactical-flashlight> (Year: 2019).*

"SureFire G2X-D LED Tactical Flashlight," Sep. 26, 2019 (Q&A), bhphotovideo.com, site visited Jun. 25, 2021, URL: https://www.bhphotovideo.com/c/product/1433835-REG/surefire_g2x_d_tn_g2x_pro_led_flashlight.html/qa (Year: 2019).*

* cited by examiner

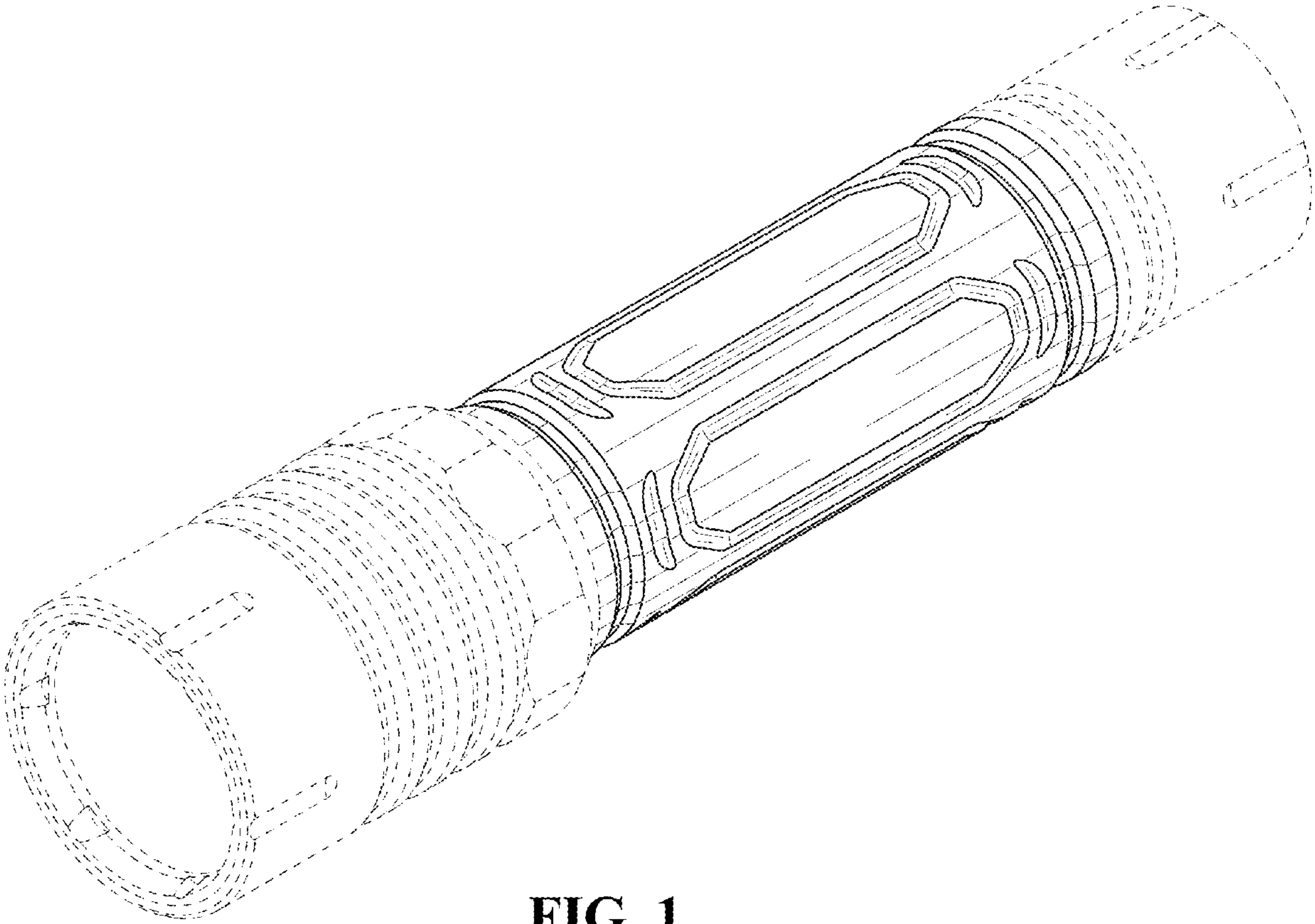


FIG. 1

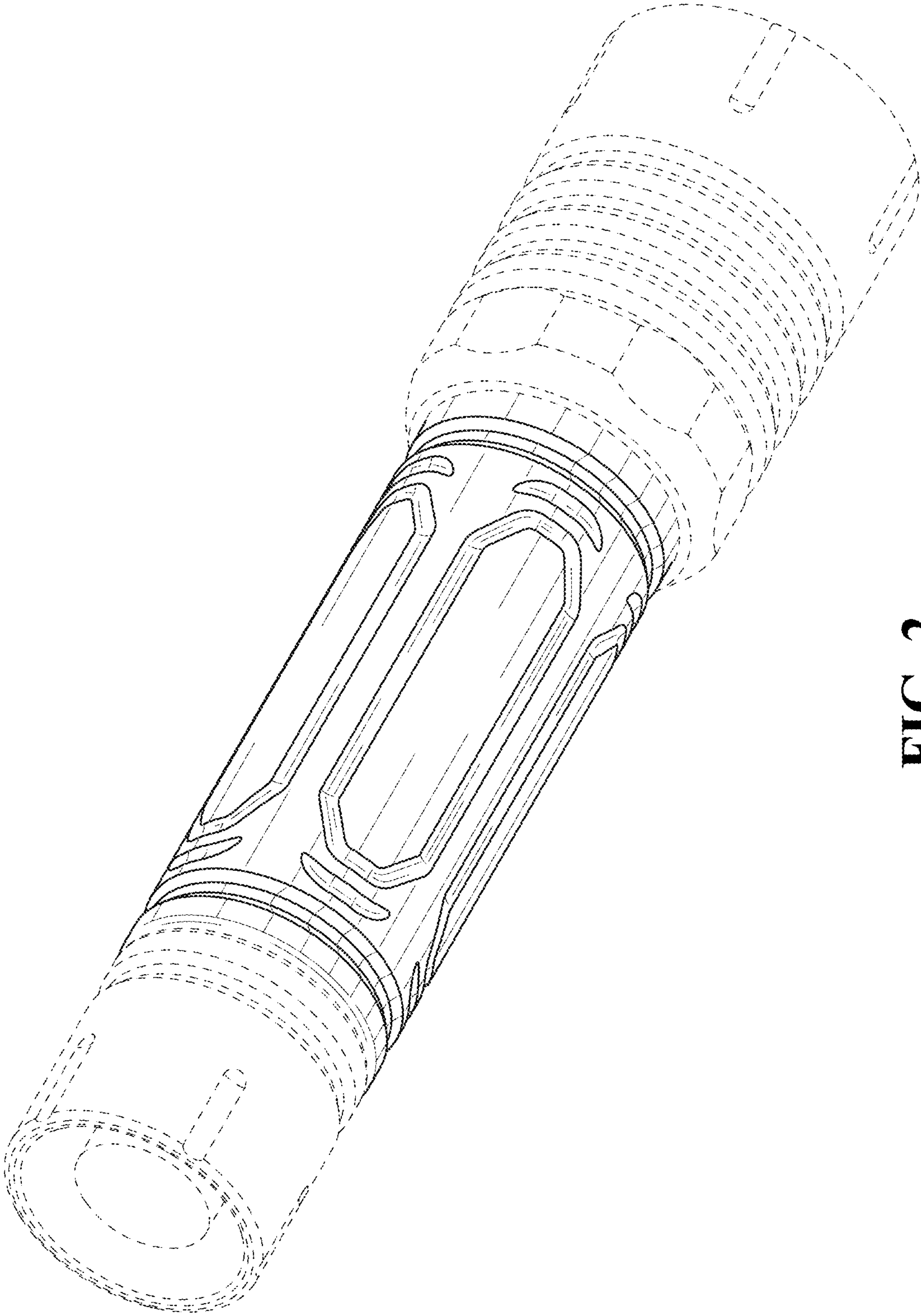


FIG. 2

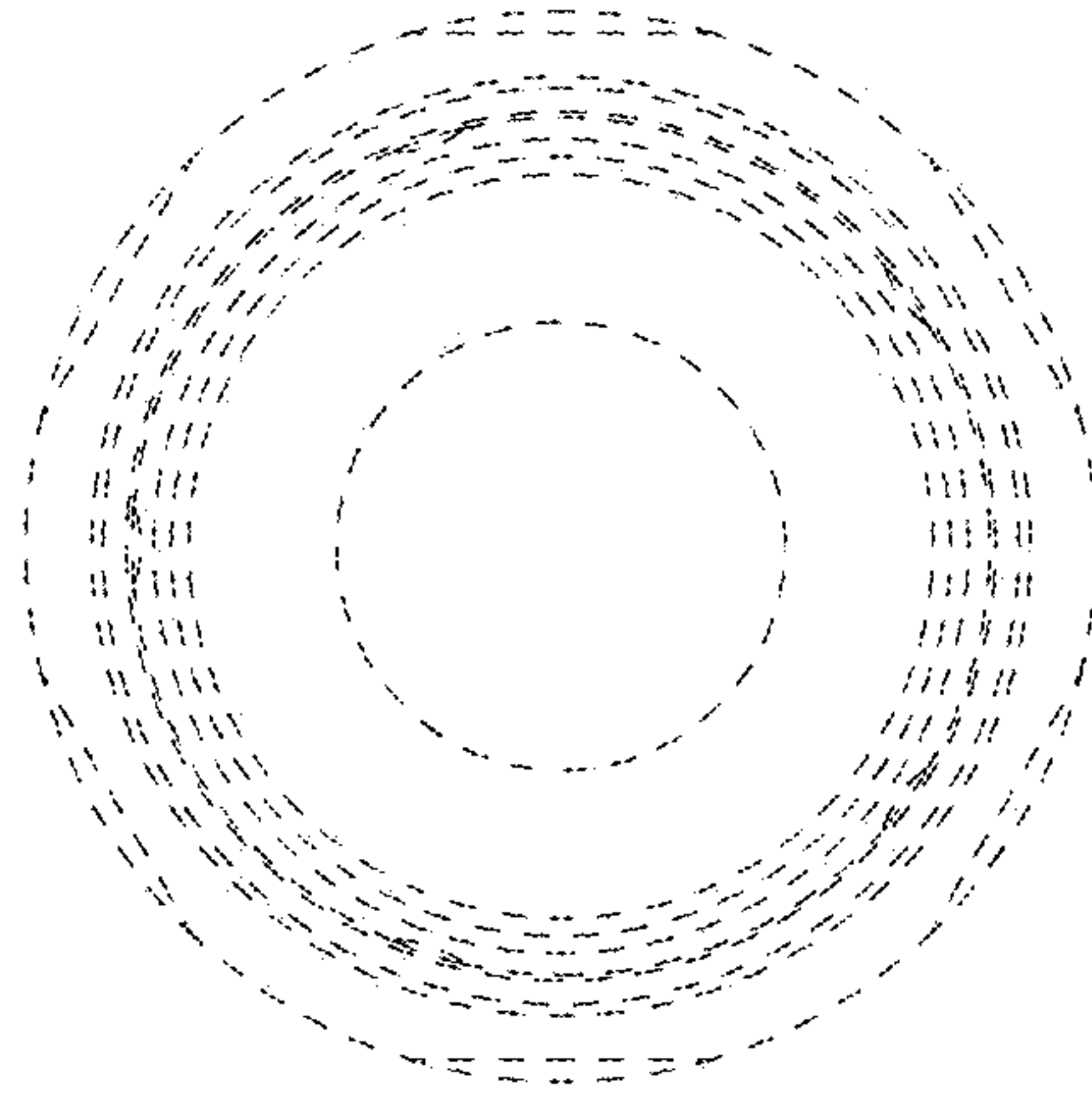


FIG. 5

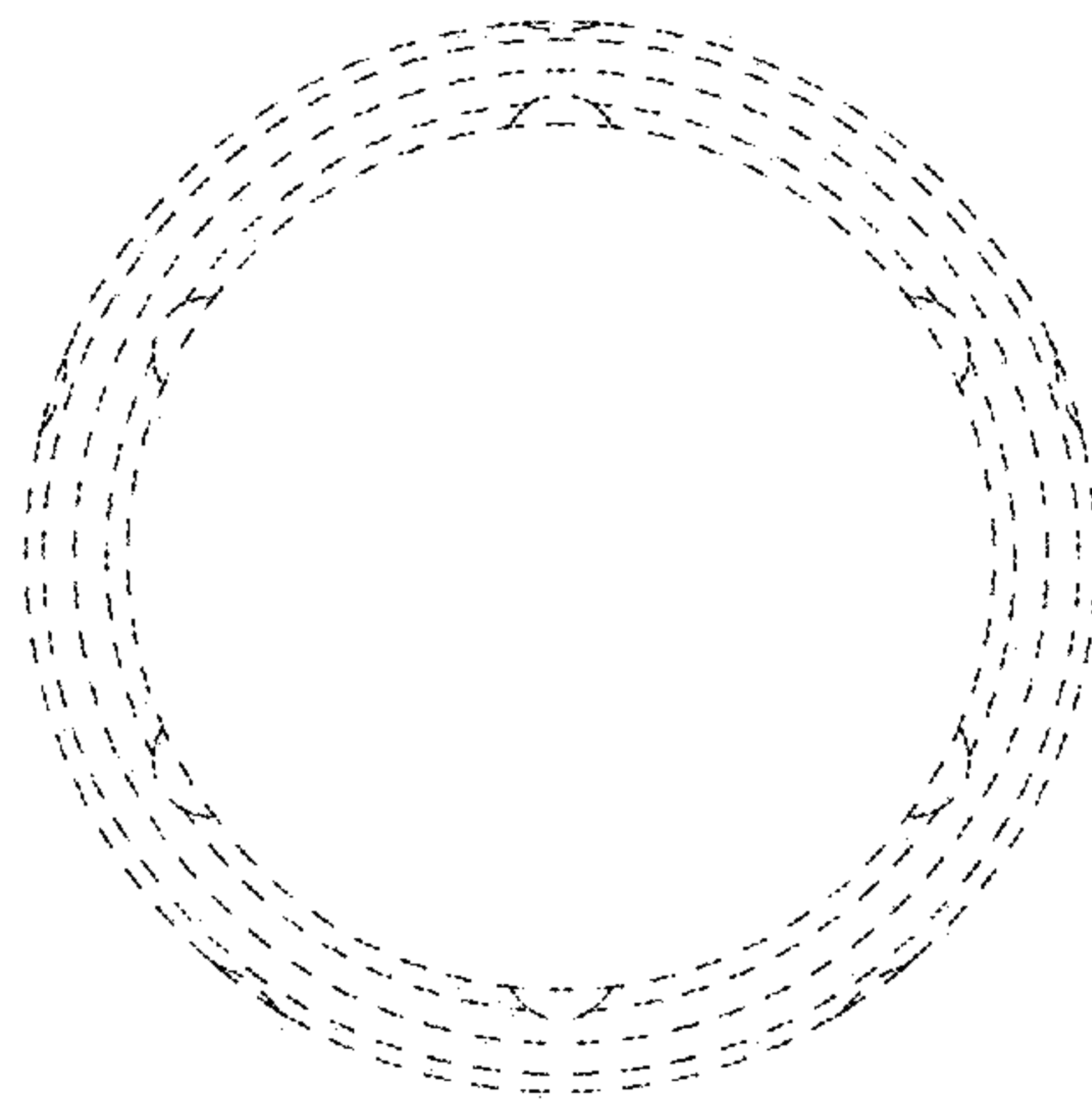


FIG. 3

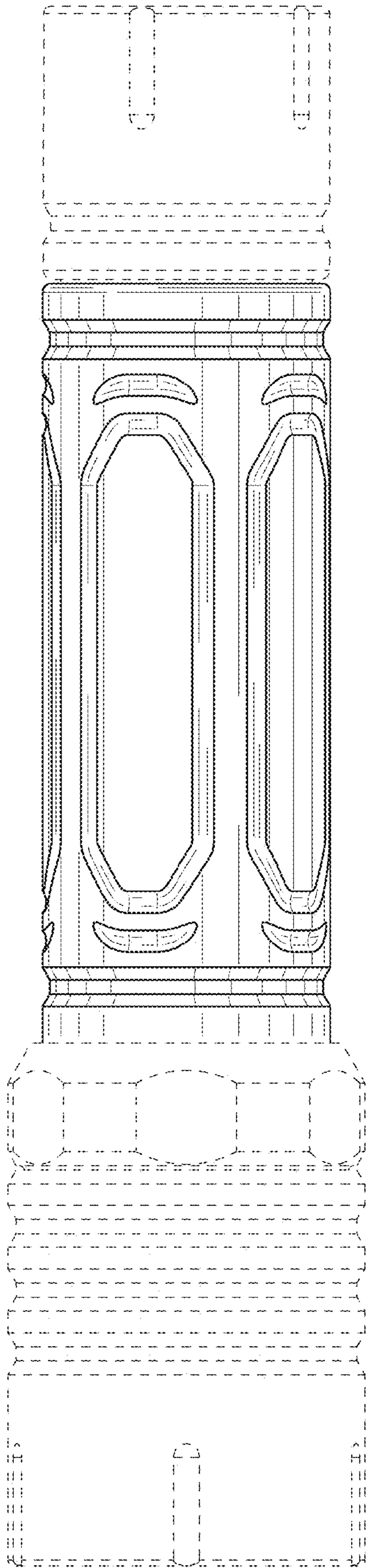


FIG. 4

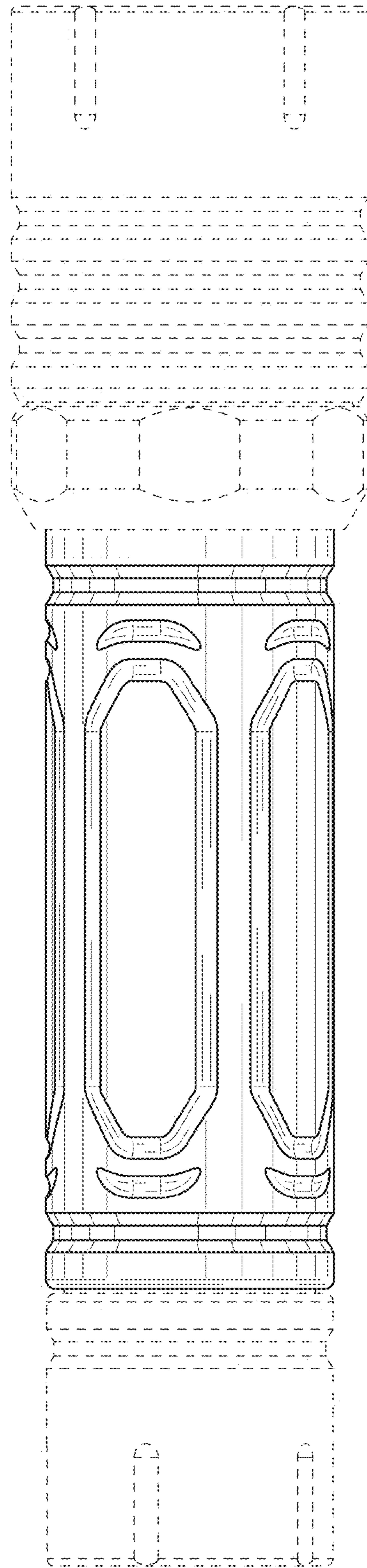


FIG. 6

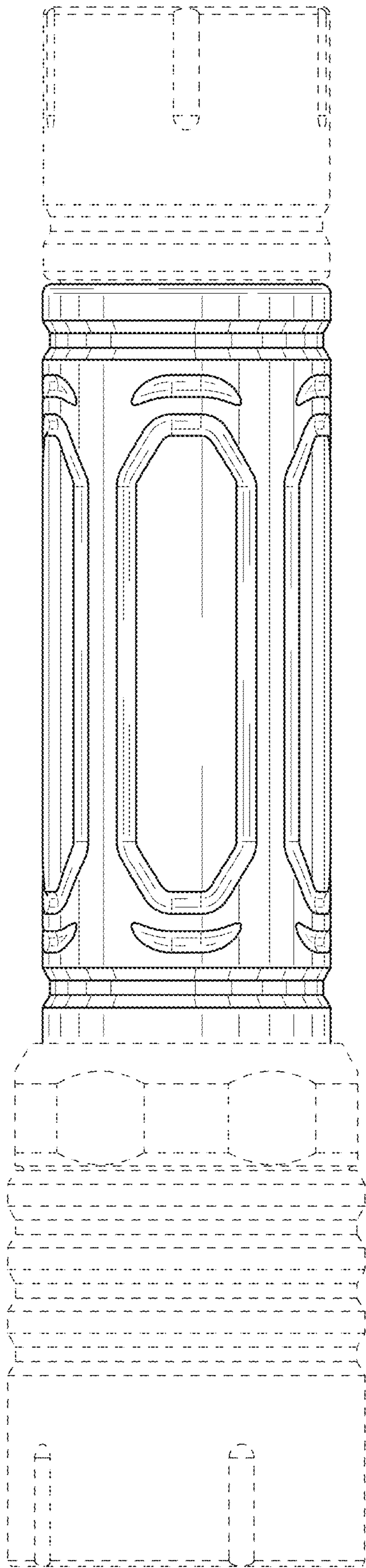


FIG. 7

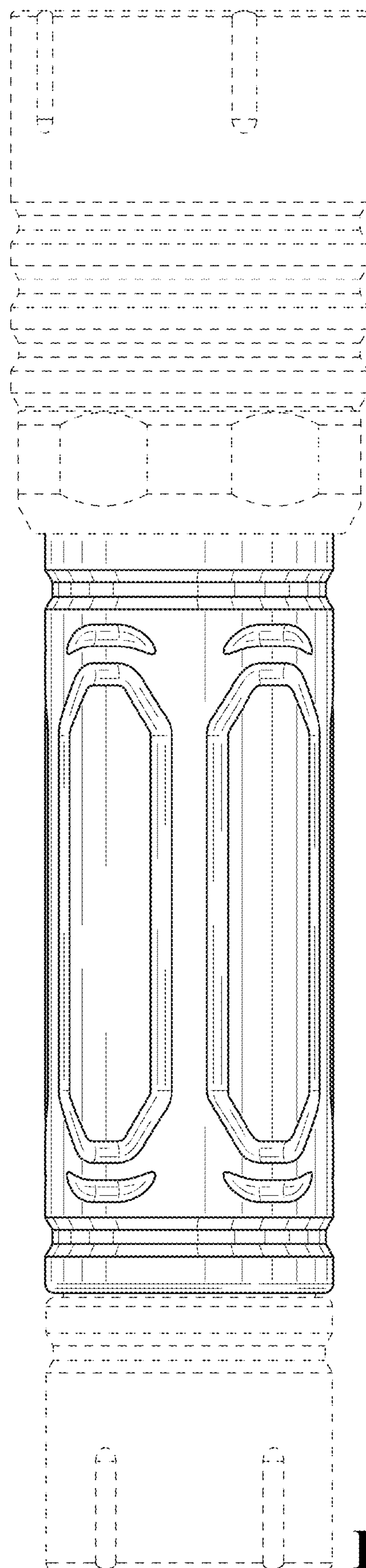


FIG. 8

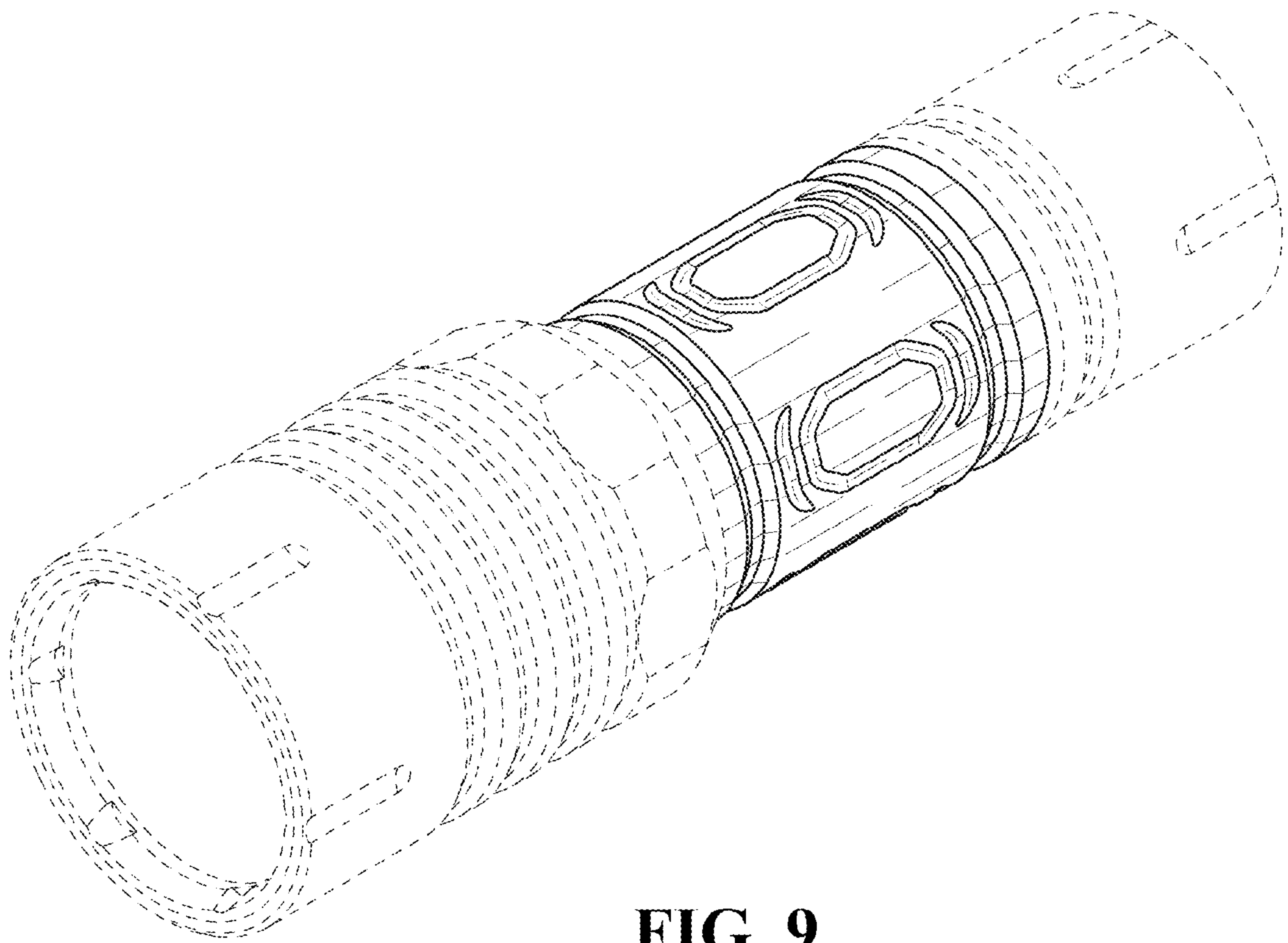


FIG. 9

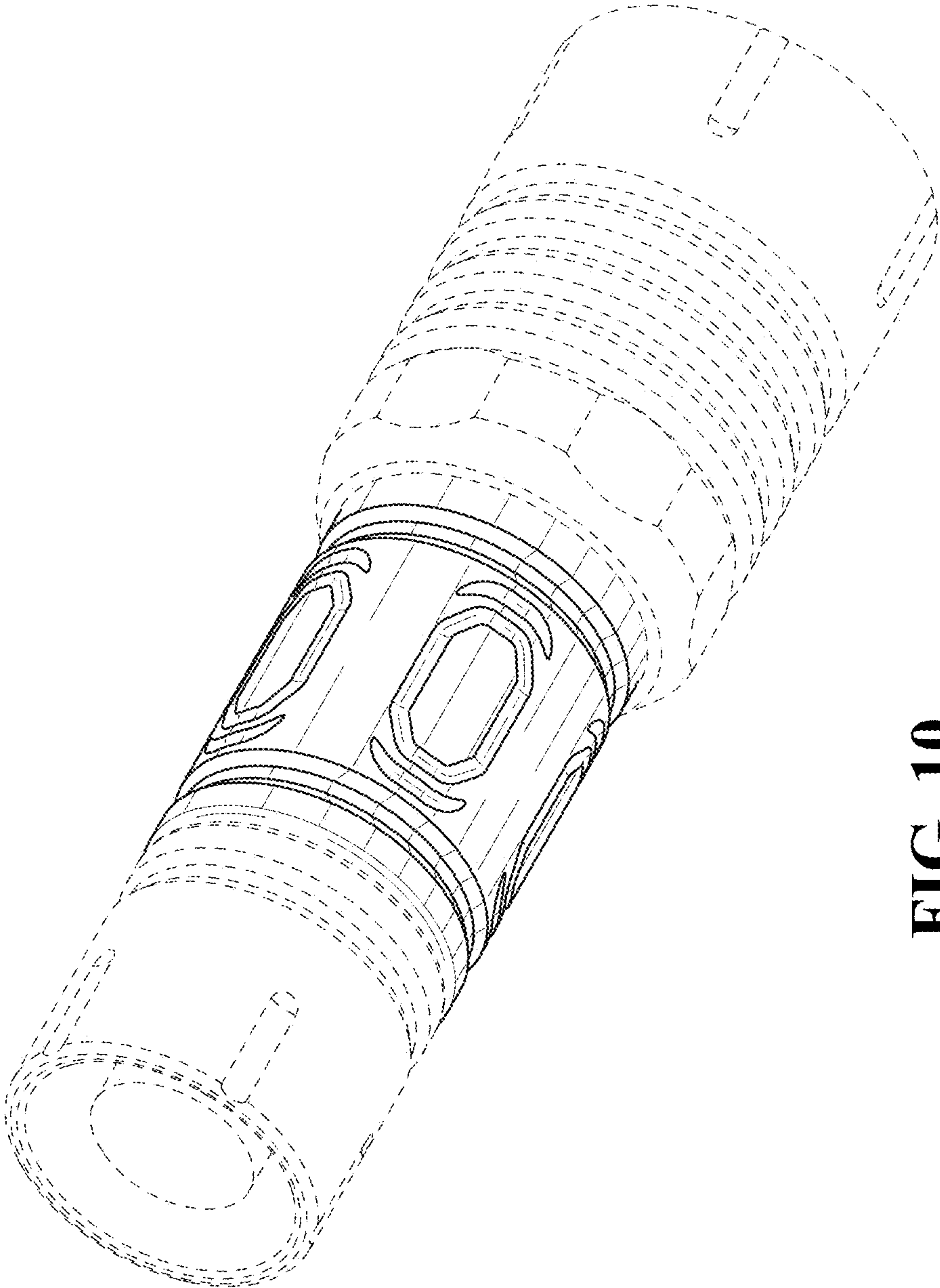


FIG. 10

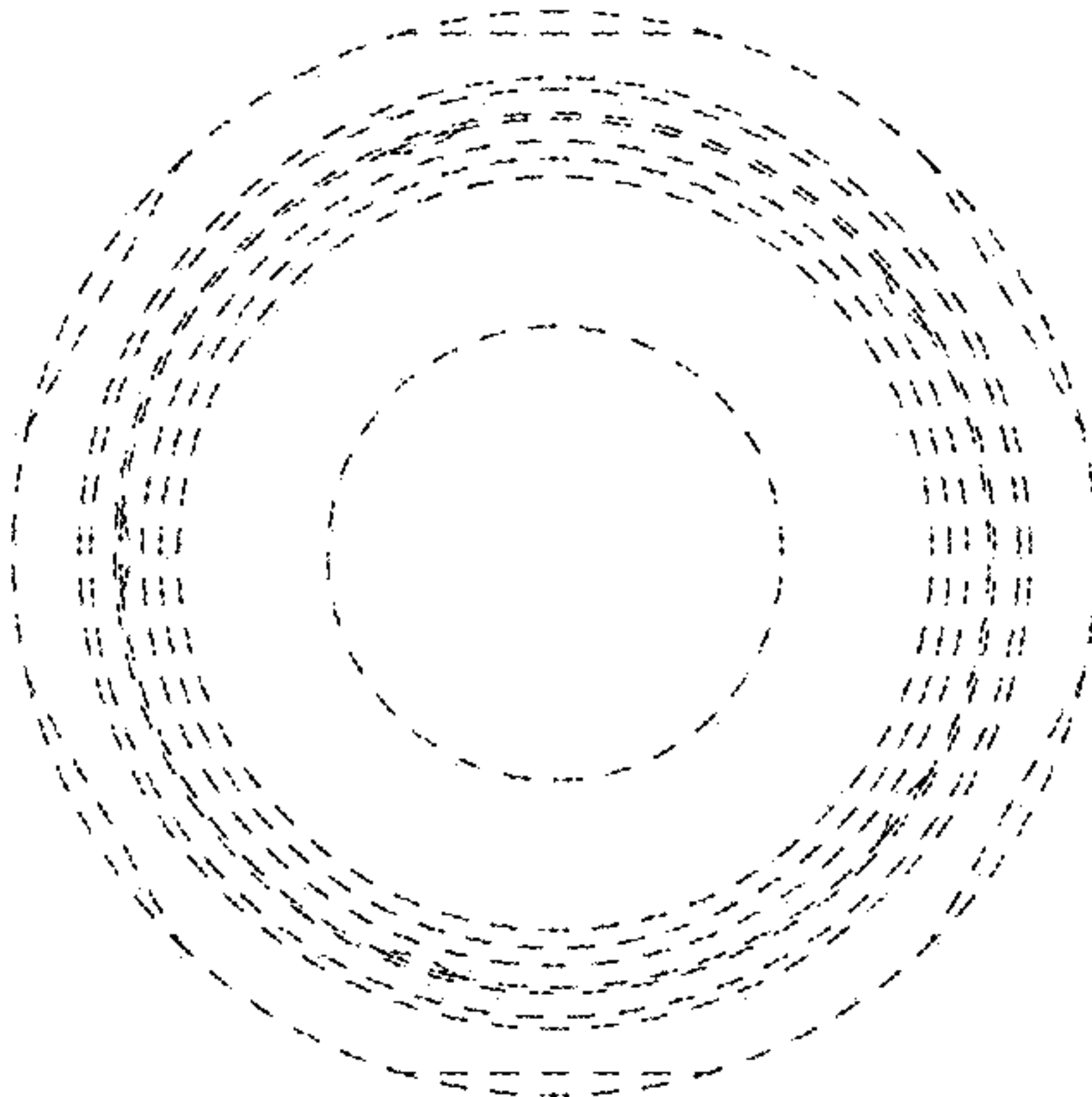


FIG. 13

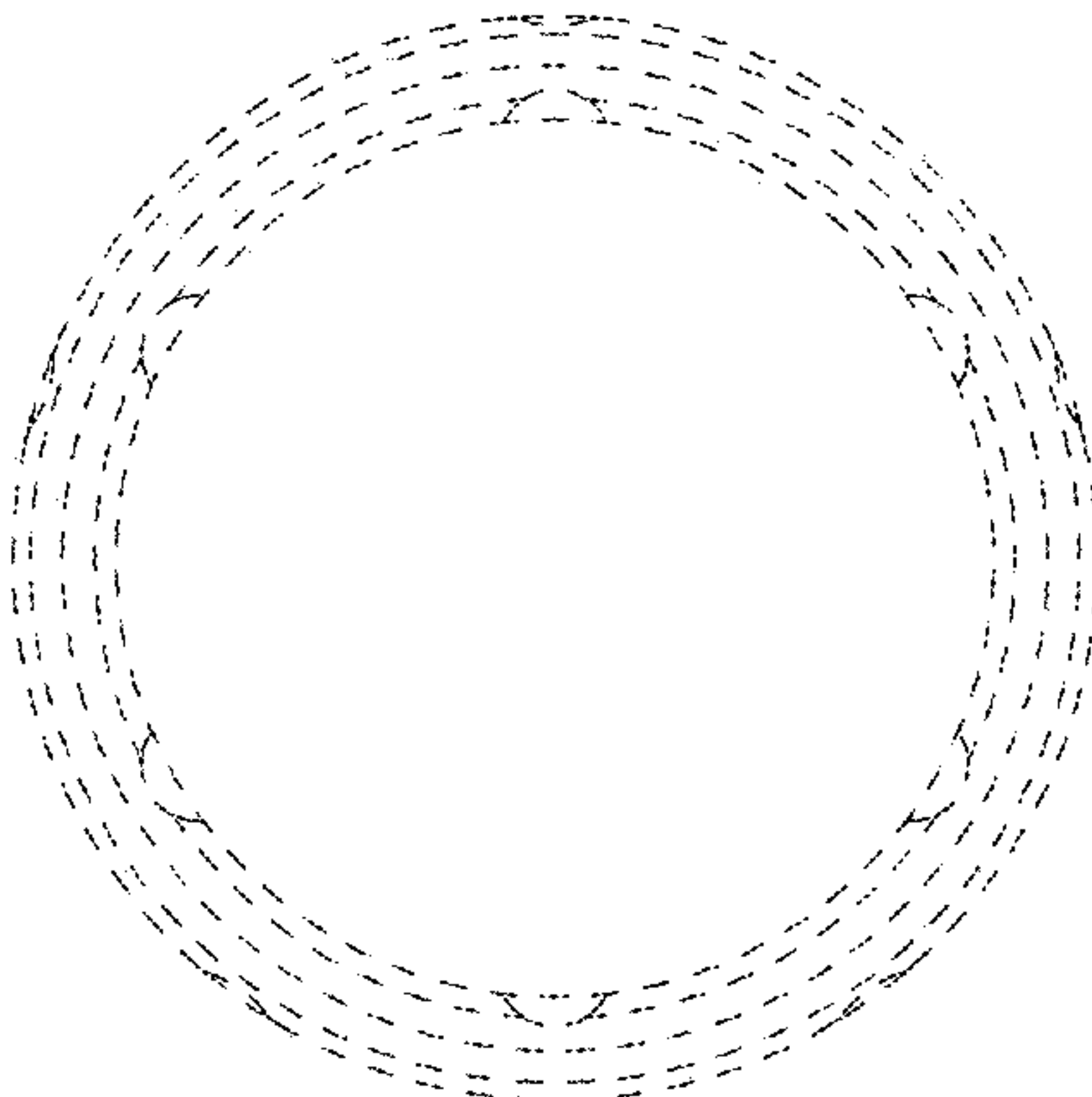


FIG. 11

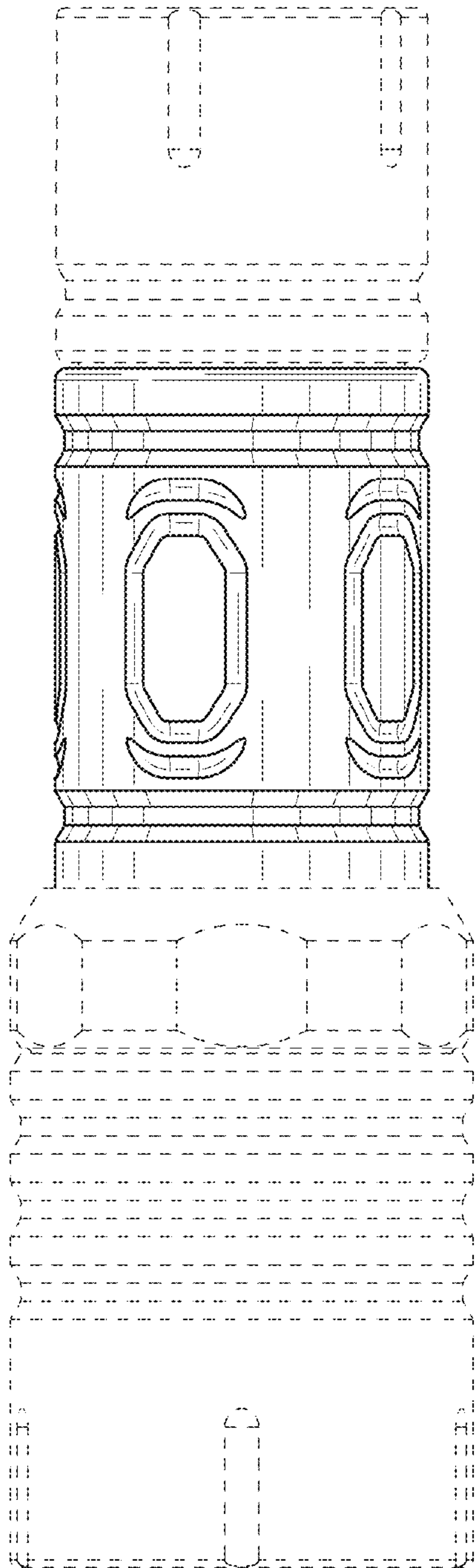


FIG. 12

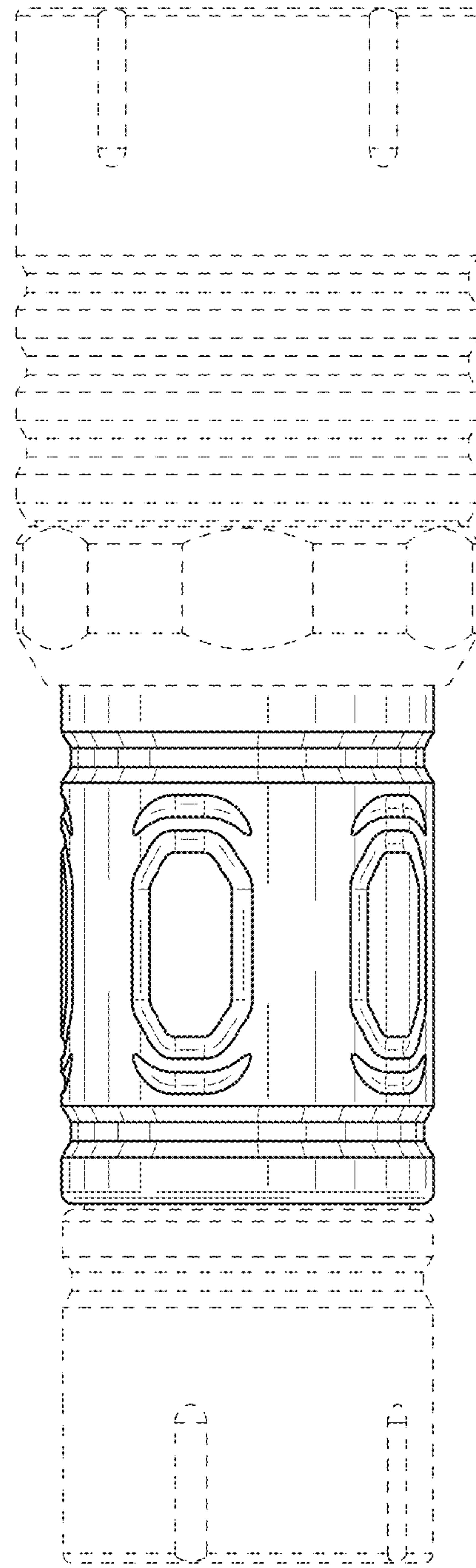


FIG. 14

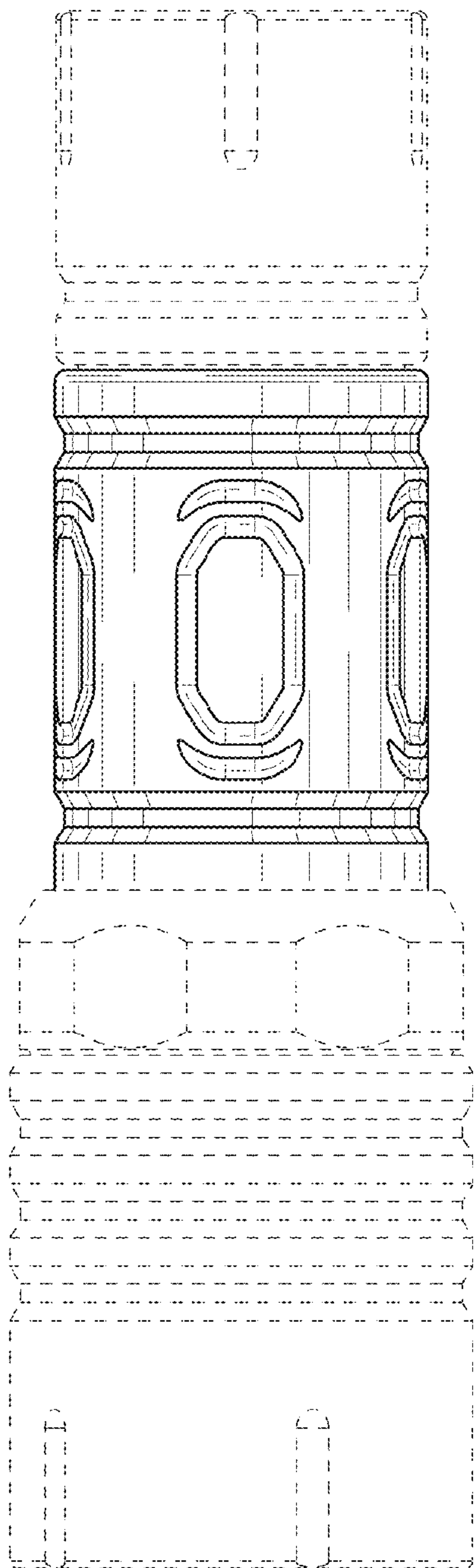


FIG. 15

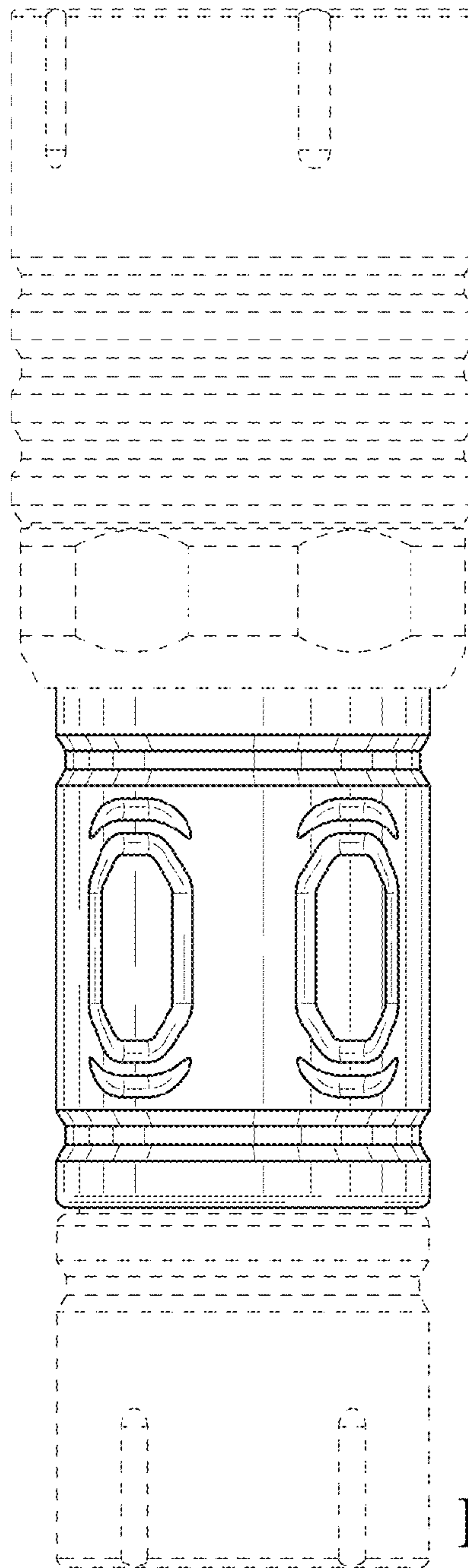


FIG. 16