



US00D931505S

(12) **United States Design Patent**
Anton

(10) **Patent No.:** **US D931,505 S**

(45) **Date of Patent:** **** Sep. 21, 2021**

(54) **HEADLIGHT FOR A VEHICLE**

(71) Applicant: **Bayerische Motoren Werke
Aktiengesellschaft, Munich (DE)**

(72) Inventor: **Moritz Anton, Munich (DE)**

(73) Assignee: **Bayerische Motoren Werke
Aktiengesellschaft, Munich (DE)**

(**) Term: **15 Years**

(21) Appl. No.: **29/722,601**

(22) Filed: **Jan. 31, 2020**

(30) **Foreign Application Priority Data**

Aug. 5, 2019 (DE) 402019100841.1

(51) **LOC (13) Cl.** **26-02**

(52) **U.S. Cl.**
USPC **D26/28**

(58) **Field of Classification Search**

USPC D26/28-36, 139

CPC F21S 48/00; F21S 48/10; F21S 48/115;

F21S 48/225; F21S 48/1233; F21S

48/1266; F21S 48/1388; F21S 48/2268;

F21V 21/04; F21V 29/004; B60Q 9/13;

B60Q 9/135; B60Q 9/1375

See application file for complete search history.

(56) **References Cited**

U.S. PATENT DOCUMENTS

D626,668 S * 11/2010 Grebert D26/28

D639,468 S * 6/2011 Huang D26/28

D690,853 S * 10/2013 Huang D26/28

D805,227 S 12/2017 Morgenstern

D823,500 S * 7/2018 Liao D26/28

D824,055 S * 7/2018 Chi D26/28

D825,802 S * 8/2018 Chi D26/31

D844,862 S 4/2019 Nordmann

D858,825 S * 9/2019 Dinant D26/28

D864,444 S * 10/2019 Lin D26/28

D869,704 S * 12/2019 Wu D26/28

D869,705 S * 12/2019 Wu D26/28

* cited by examiner

Primary Examiner — Marcus A Jackson

(74) *Attorney, Agent, or Firm* — Crowell & Moring LLP

(57) **CLAIM**

The ornamental design for a headlight for a vehicle, as shown and described.

DESCRIPTION

This application contains subject matter related to the following co-pending U.S. design patent application: Application Ser. No. 29/722,602, filed herewith and entitled "Headlight for a Vehicle".

FIG. 1 is a front view of a headlight for a vehicle according to the design;

FIG. 2 is a right, front perspective view thereof;

FIG. 3 is a left, bottom perspective view thereof;

FIG. 4 is a right side view thereof;

FIG. 5 is a left side view thereof;

FIG. 6 is a top view thereof;

FIG. 7 is a bottom view thereof; and,

FIG. 8 is a rear view thereof.

1 Claim, 8 Drawing Sheets





Fig. 1



Fig. 2

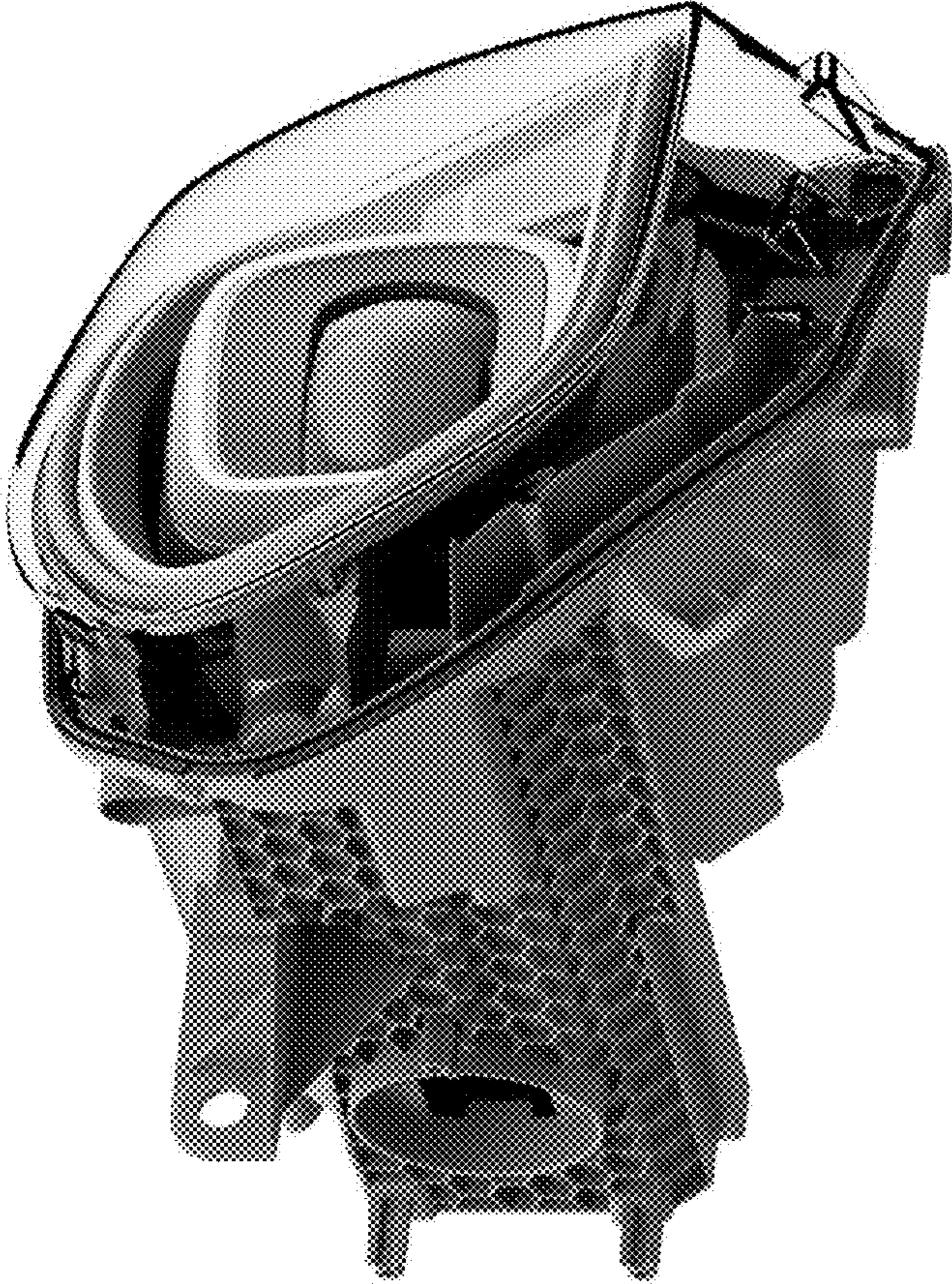


Fig. 3

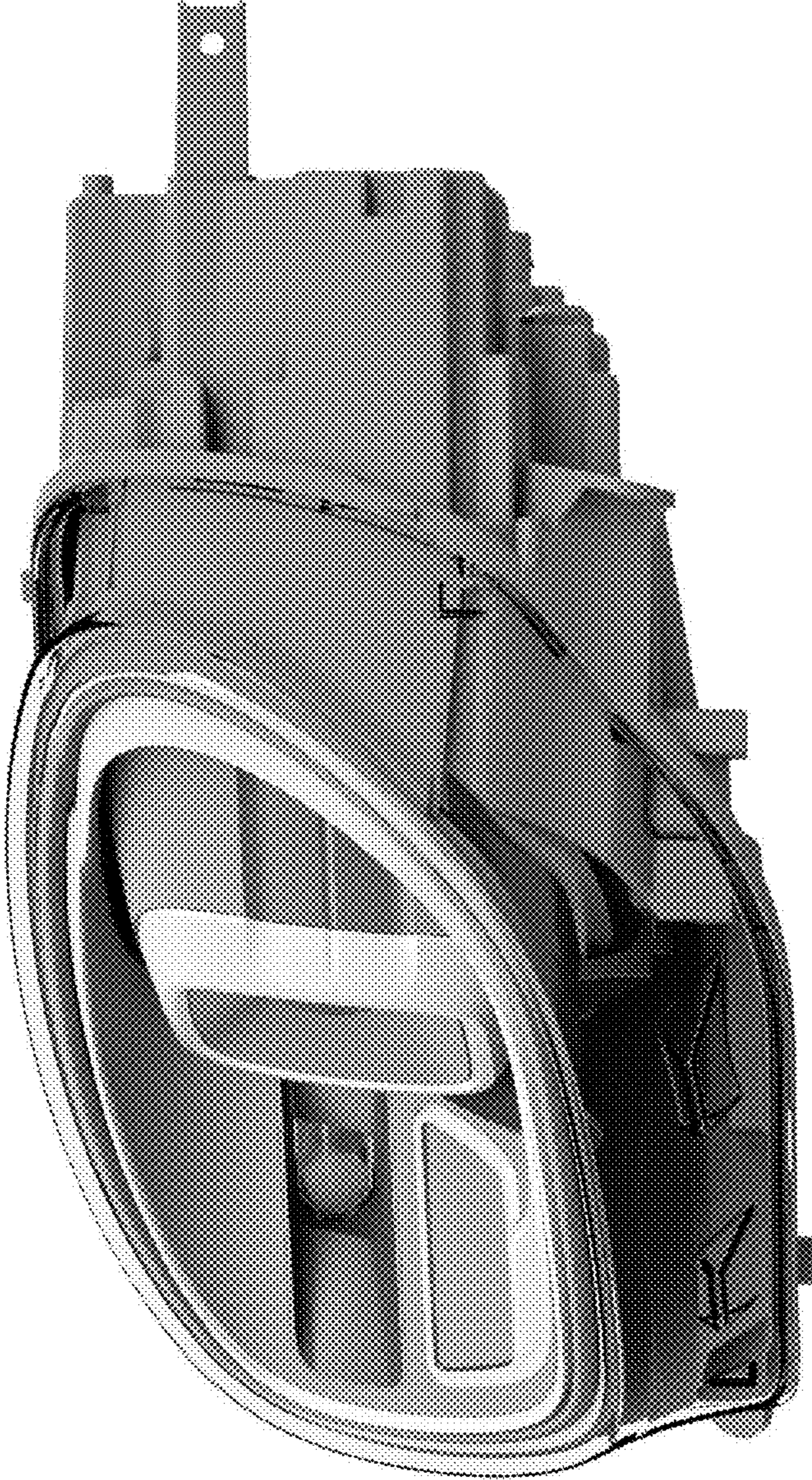


Fig. 4

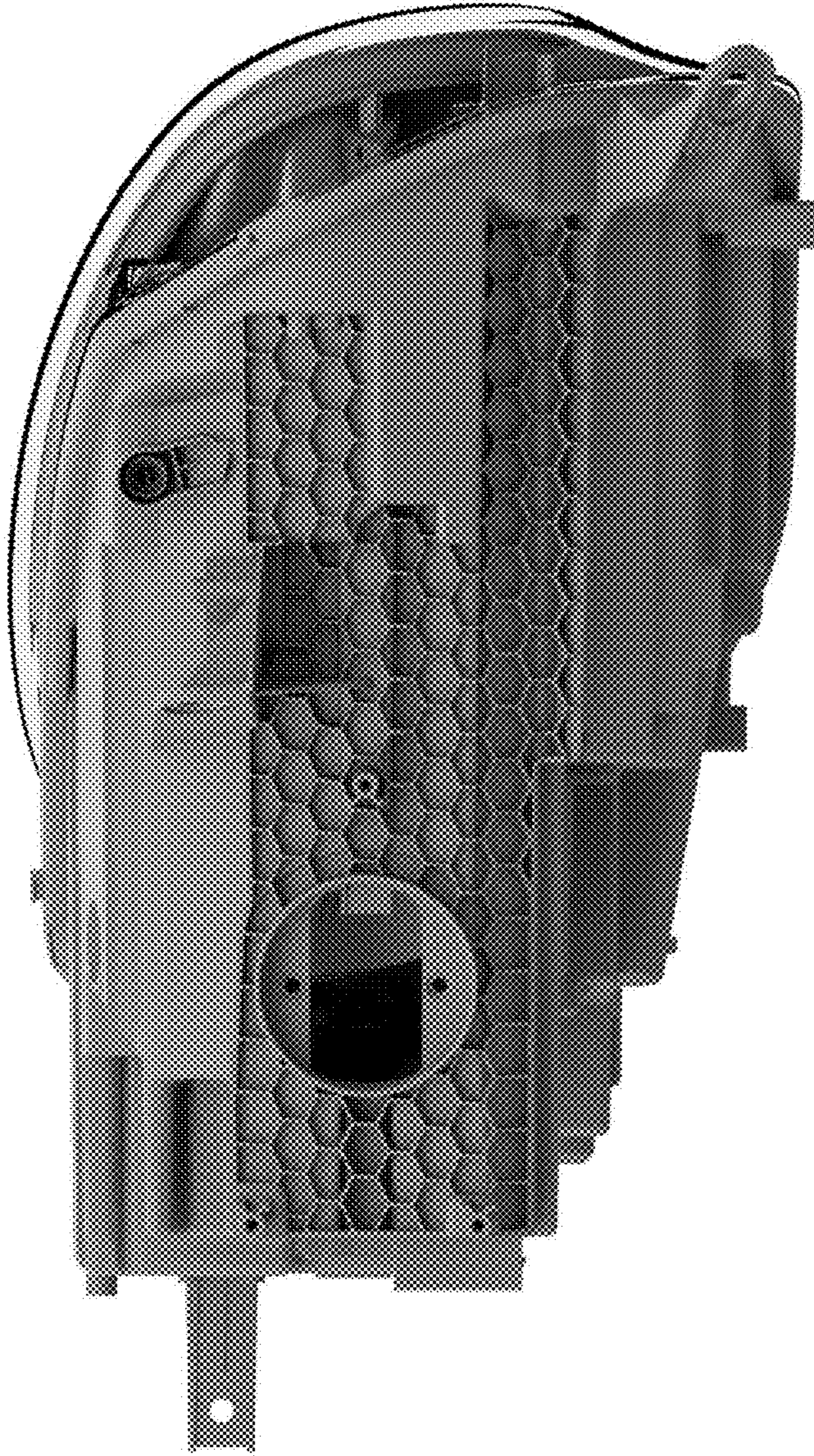


Fig. 5

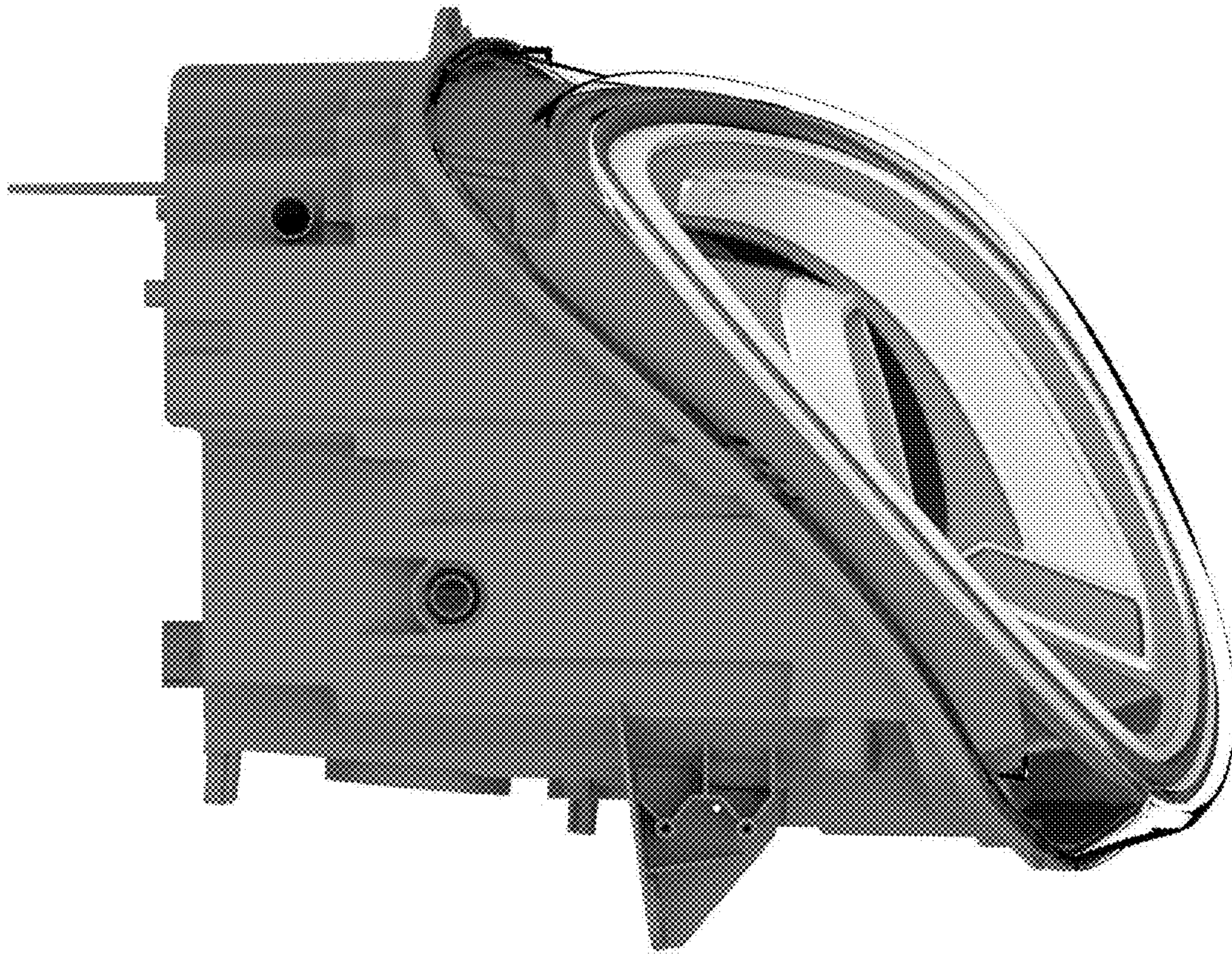


Fig. 6

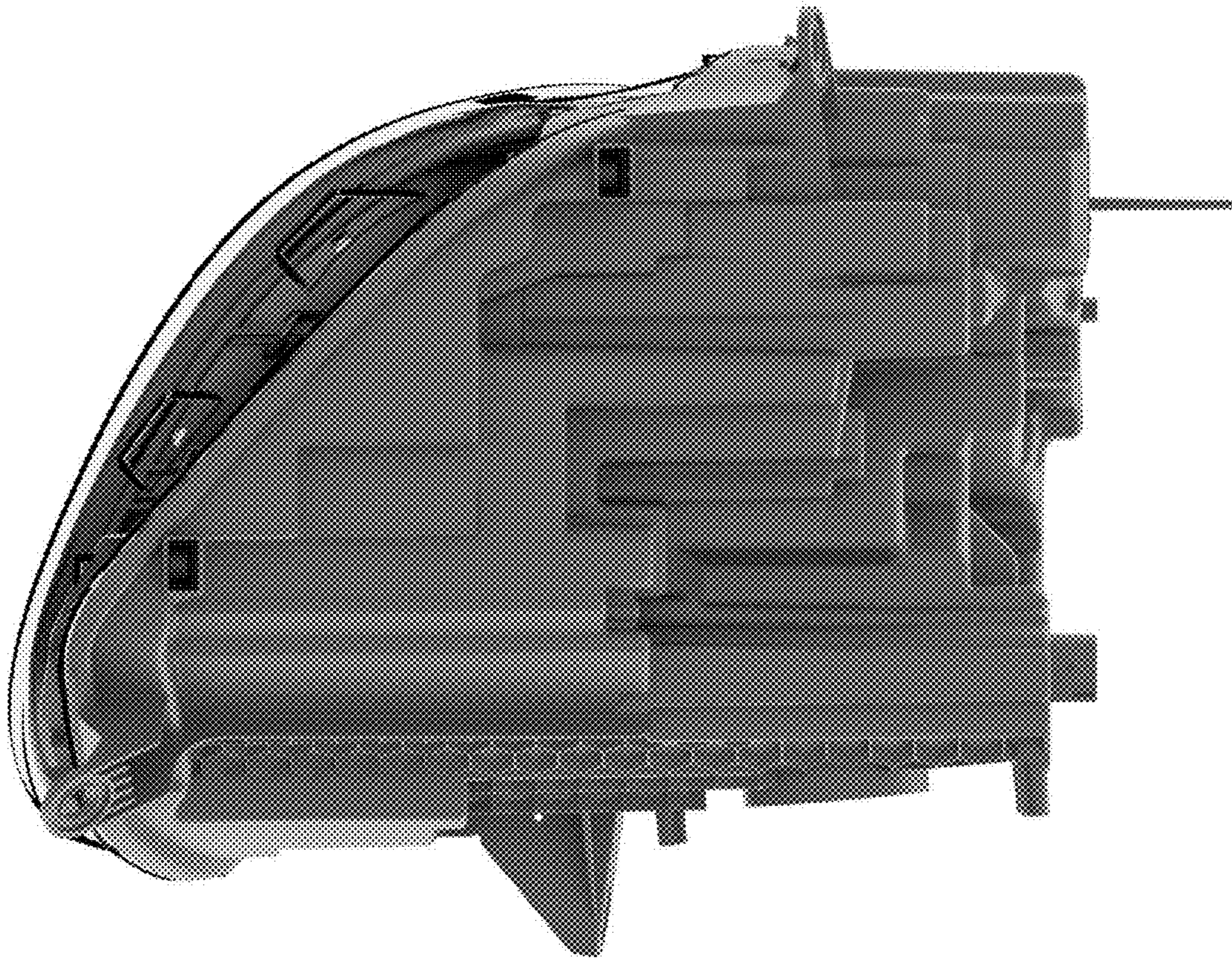


Fig. 7

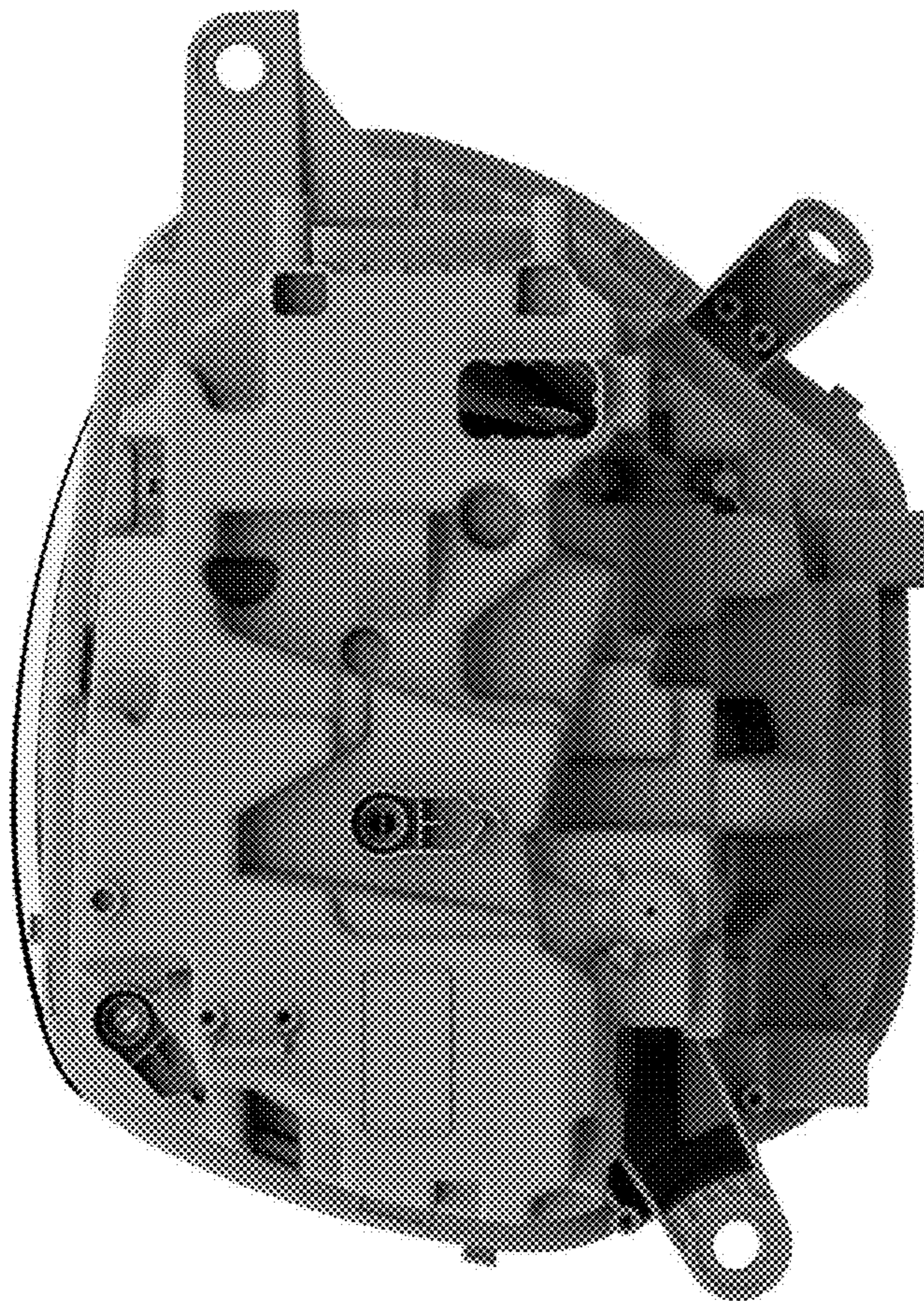


Fig. 8